

FAUCETS

Section: 28
Page: 12 of 15
Updated: August, 2010



Imara

Single Lever Free-Standing Faucet.

Includes an oversized hand-spray with an easy open manual diverter system.

Part# (Chrome): **83061**



Features

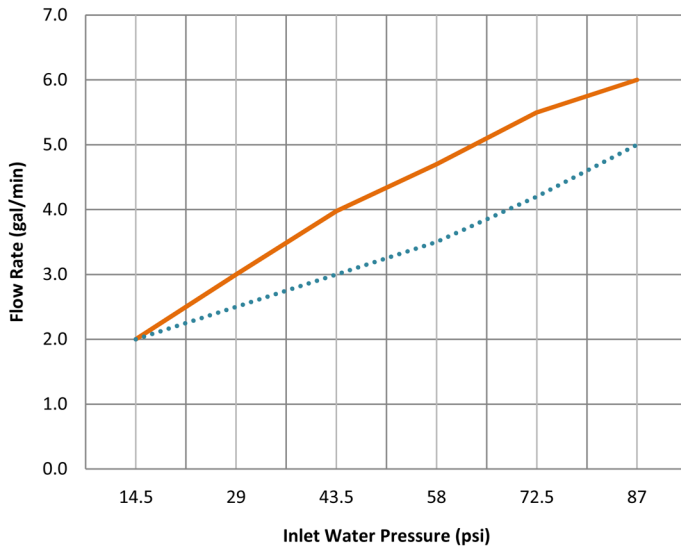
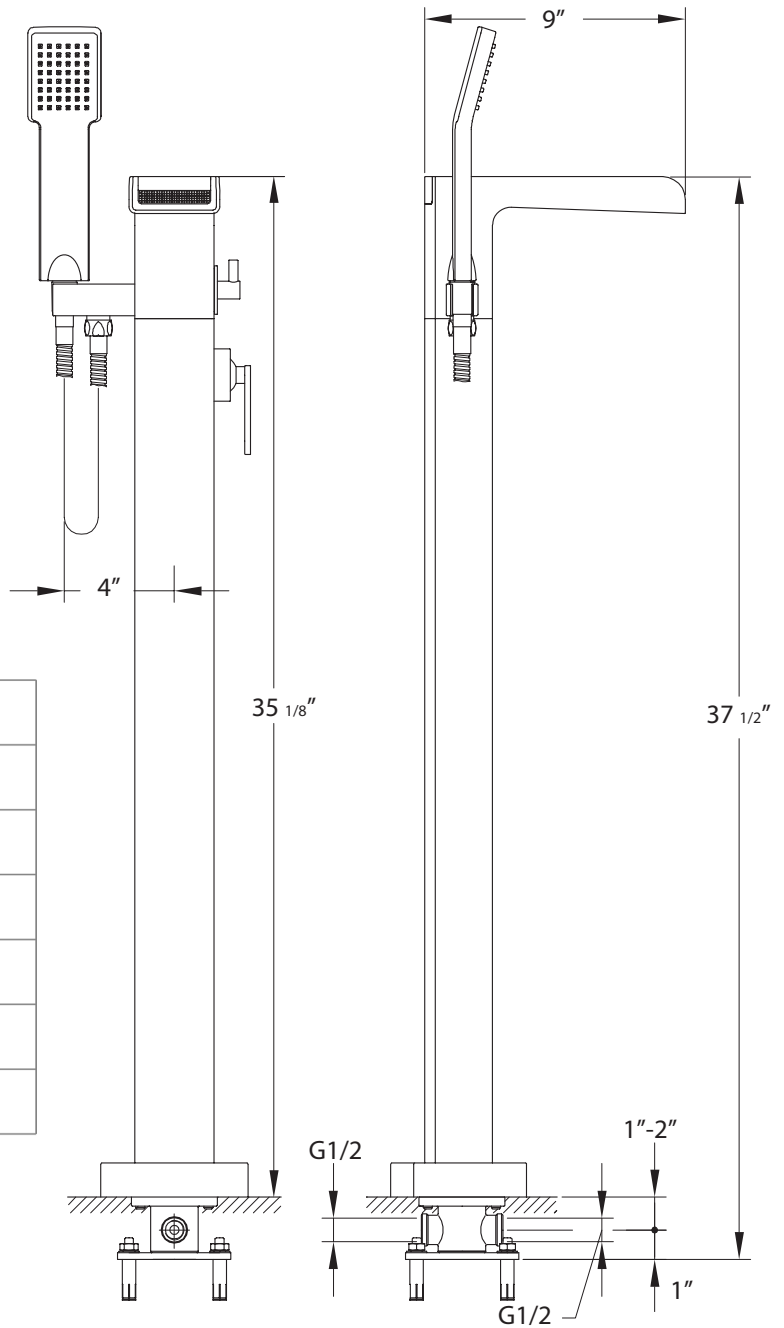
- Ceramic disc single lever cartridge
- Solid brass construction
- Triple-plated chrome finish
- Triple-seal water supply system

Technical Specifications

- 5.5 gal / minute spout flow rate @ 65 psi
- Minimum operating temp.: 0 °C
- Maximum operating temp.: 90 °C
- Minimum operating pressure: 29 Psi
- Maximum operating pressure: 145 Psi

Specification subject to change without notice.
All measurements + or - 1/4".

Imara



— Spout
 Hand Shower

Specification subject to change without notice.
 All measurements + or - 1/4".