

Please go to www.quoizel.com for product cleaning tips. Go to the **Care + Maintenance** selection.

Tools Required: Flathead screwdriver, Phillips screwdriver, pliers, wire cutters, wire strippers, electrical tape, safety glasses.

Light Source: LED 16W

Estimated Assembly Time: 20-30 minutes

Preparation: Identify and inspect all parts before beginning installation. Check package content list and diagrams below to be sure all parts are present. If any parts are missing or damaged, do not attempt to assemble, install, or operate the fixture. Contact customer service for replacement parts.

⚠ Warnings and Cautions

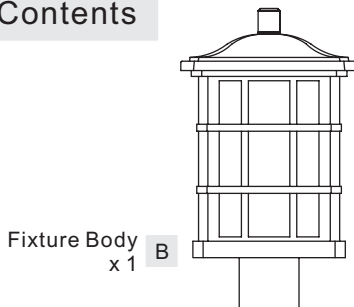
Turn off electricity at circuit breaker or main fuse box before installation. Consult a licensed electrician if in doubt.

These instructions are provided for your safety. It is very important you read them completely before installing the fixture. We strongly recommend that a licensed, professional electrician perform the installation.

Disconnect fixture from power source before replacing bulbs. Make sure bulbs are given sufficient time to cool before removal. Do not subject glass parts to any shock while in operation or shattering may result.

Package Contents

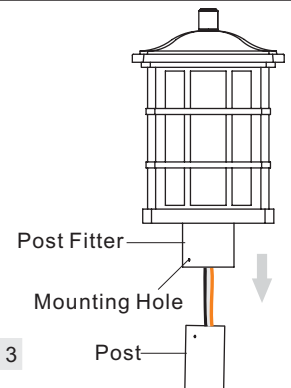
- A** Mounting Screw x 3



(Step 3 Continued)

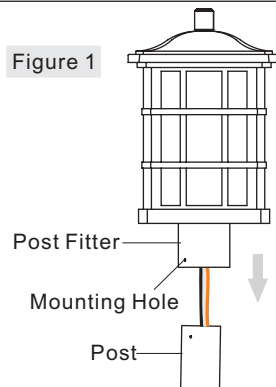
- completely, aligning the holes in the Fitter with the 1/16" Pilot Holes drilled into the Post.
- B.** Secure the Fixture to Post with (3) Mounting Screws (A).

Your fixture is now assembled and ready to use. Enjoy!



STEP 1 – Drill Pilot Holes on Post

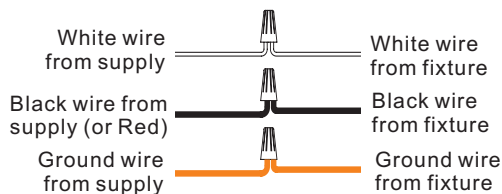
- A.** Carefully fit the Post Fitter over the end of the Post (not supplied), making sure the Post Fitter is fully seated.
- B.** Mark the drill point for the (3) Mounting Holes as reference. After marking hole locations, remove fixture from post and drill 1/16" pilot holes for screws.



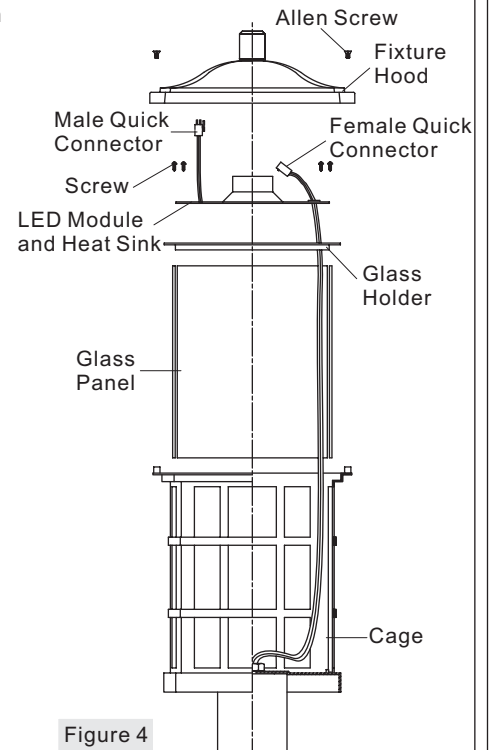
HOW TO REPLACE GLASS PANELS

STEP 2 - Wire Connections

- A.** Use standard wire connectors (not included) to make all wire connections. (Connectors are not included with fixture.) Twist connectors until wires are tightly joined together. Wrap each connection with approved electrical tape and carefully stuff all the connected wires into the Outlet Box.



- A.** Unlock Allen Screws on the Fixture Hood and remove the Fixture Hood from the Cage.
- B.** Separate Quick Connector and then unscrew Screws from the Cage and remove LED Module and Heat Sink, the Glass Holder. Replace Glass Panels from the Cage and then re-install the Glass Holder, LED Module and Heat Sink. Secure with removed Lock Screws.
- C.** Connect Quick Connectors. Attach the Fixture Hood back onto the Cage and secure with Allen Screws.



STEP 3 – Attach Fixture Body to Post

- A.** Coat the top 1" of the Post with Clear Silicone Caulk (not supplied) and position the Post Fitter onto the Post. Be sure to seat it

Thank you for purchasing a Quoizel product.
Need assistance with parts or assembly? Call Quoizel customer service at 1-631-273-2700 or visit us on-line at www.quoizel.com

HOW TO REPLACE LED MODULE

- A. Unlock Allen Screws on the Fixture Hood. Remove the Fixture Hood from Cage.
- B. Separate Quick Connector and then unscrew Screws from the Cage and remove LED Module and Heat Sink.
- C. Unscrew Lock Screws on the LED Module. Replace the LED Module with the replacement. Pass Lock Screws through the replacement LED Module, the Heat Sinks as shown and thread Hex Nuts onto Lock Screws to secure them together. Hand tighten until snug.
- D. Pass the Quick Connector from the LED Module through the hole on the Heat Sink.
- E. Re-install LED Module and Heat Sink onto the top edge of the Cage. Secure with Screws. Connect Quick Connectors. Attach Cage with Glass Panels back onto the Fixture Hood and secure with Allen Screws.

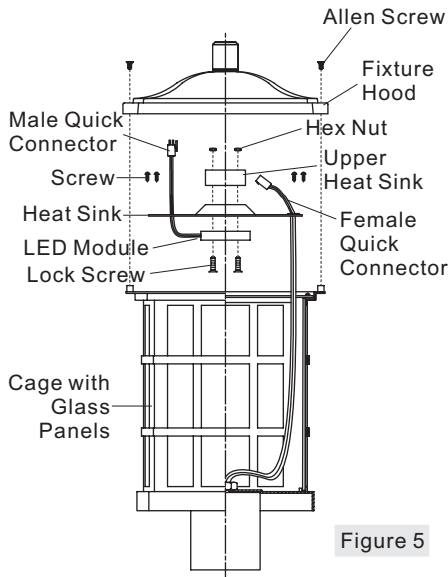


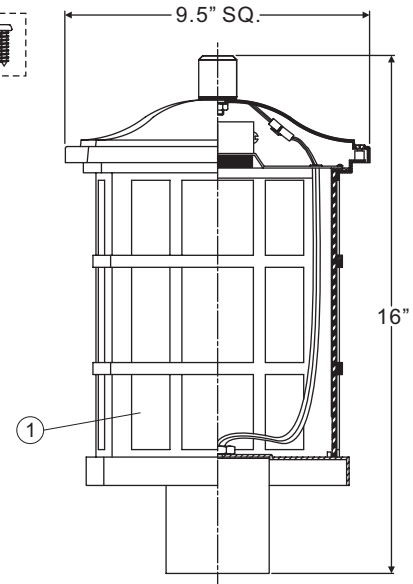
Figure 5

SNNL9009K

SNNL9009PN

FINISH: MYSTIC BLACK

FINISH: PALLADIAN BRONZE



NOTE: ALL DIMENSIONS ARE ROUNDED UP TO THE NEAREST 1/4"

NO.	PART NUMBER	REPLACEMENT PART	REQ.
1	G3729PA	GLASS PANEL	4

Thank you for purchasing a Quoizel product.
 Need assistance with parts or assembly? Call Quoizel customer service at 1-631-273-2700
 or visit us on-line at www.quoizel.com