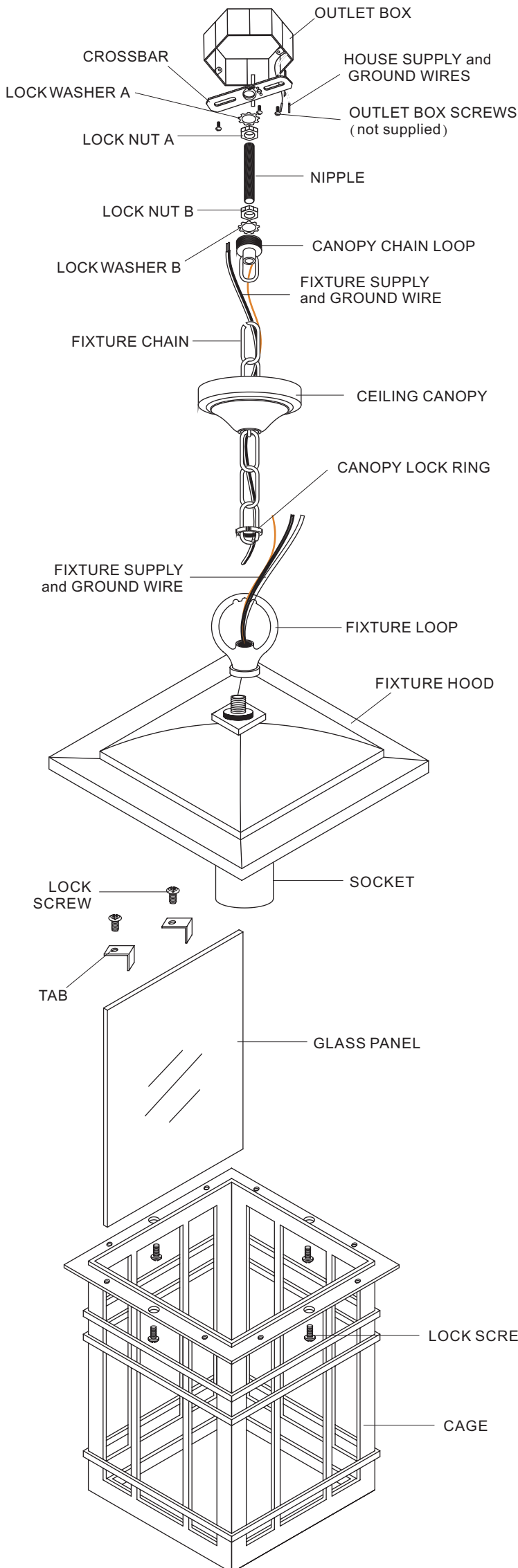


## ASSEMBLY/INSTALLATION INSTRUCTIONS



1. Before beginning the installation, carefully unpack and identify all parts, referring to the illustration.
2. Turn power to the installation point OFF at circuit breaker.
3. Slip down the GLASS PANEL to the inside of the CAGE. Locate the TABS onto the top edge of the GLASS PANEL and match the holes on them with the mounting holes on the top edge of the CAGE. Use screw driver, thread the LOCK SCREWS into the mounting holes and hand tighten until snug to secure the GLASS PANEL.
4. Install the bulb referring to fixture markings and/or labels for maximum wattage.
5. Lift the CAGE with GLASS PANELS upward to attach the bottom of the FIXTURE HOOD and make the holes on the top edge of the CAGE match the mounting holes on the bottom of the FIXTURE HOOD. Secure them together with the LOCK SCREWS. Hand them until snug with screw driver.
6. Thread the FIXTURE LOOP onto the nipple on the top center of the FIXTURE HOOD and hand tighten until snug.
7. Fasten the CROSSBAR to the OUTLET BOX with (2) OUTLET BOX SCREWS (not supplied). Proceed to thread LOCK NUT A and LOCK WASHER A onto the top end of NIPPLE. Thread NIPPLE into the center of CROSSBAR. Locate the LOCK NUT B onto the bottom end of the NIPPLE. Tighten LOCK NUT A against CROSSBAR with plier until snug.
8. Locate the FIXTURE CHAIN and determine desired hanging height of fixture. Adjust chain by removing links if needed. Please note that depending on chain material thickness, you might be required to use chain pliers to spread links open. Proceed to attach one end of chain to FIXTURE LOOP, attached to top of fixture. Pass the fixture wires through FIXTURE CHAIN alternating links. Proceed to pass the fixture wires through the following mounting components in this order: 1) CANOPY LOCK RING; 2) CEILING CANOPY; 3) CANOPY CHAIN LOOP; 4) LOCK WASHER B and LOCK NUT B; 5) NIPPLE; 6) LOCK NUT A and LOCK WASHER A.
9. **Making the connections:**  
(2 people recommended for the remaining steps)  
Position the fixture under the ceiling mounted outlet box. Pass LOCK WASHER B over the NIPPLE. Thread CANOPY CHAIN LOOP onto NIPPLE. Thread LOCK NUT B down the NIPPLE, against the CANOPY CHAIN LOOP and snug with pliers. Pass the wires through the NIPPLE. Take up wire slack and trim wires so that approx. 6" will remain inside outlet box. Proceed to attach the top of the FIXTURE CHAIN to the bottom of the CANOPY CHAIN LOOP.  
Using wire connectors (not supplied) connect the HOUSE GROUND WIRE to the FIXTURE GROUND WIRE; connect the HOUSE WHITE WIRE to the FIXTURE SUPPLY WIRE (WHITE or RIBBED SIDE); connect the HOUSE BLACK (or RED) WIRE to the FIXTURE SUPPLY WIRE (BLACK or SMOOTH SIDE). Wrap each connection with approved electrical tape.
10. With the proper connections made, proceed to push the CEILING CANOPY upward over the OUTLET BOX. Be sure that all wires are carefully tucked into the OUTLET BOX cavity. Secure canopy against ceiling by threading CANOPY LOCK RING onto the CANOPY LOOP. Tighten until snug.
11. Restore power to the installation point ON. Retain this sheet for future reference.