

Please go to [www.quoizel.com](http://www.quoizel.com) for product cleaning tips. Go to the **Care + Maintenance** selection.

**Tools Required:** Flathead screwdriver, Phillips screwdriver, pliers, wire cutters, wire strippers, electrical tape, safety glasses.

**Light Source:** Integrated 18W LED

**Estimated Assembly Time:** 20-30 minutes

**Preparation:** Identify and inspect all parts before beginning installation. Check package content list and diagrams below to be sure all parts are present. If any parts are missing or damaged, do not attempt to assemble, install, or operate the fixture. Contact customer service for replacement parts.

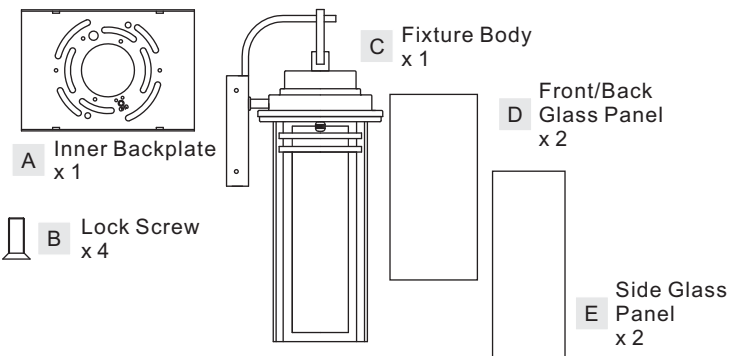
### ⚠ Warnings and Cautions

Turn off electricity at circuit breaker or main fuse box before installation. Consult a licensed electrician if in doubt.

These instructions are provided for your safety. It is very important you read them completely before installing the fixture. We strongly recommend that a licensed, professional electrician perform the installation.

Disconnect fixture from power source before replacing bulbs. Make sure bulbs are given sufficient time to cool before removal. Do not subject glass parts to any shock while in operation or shattering may result.

### Package Contents



### STEP 3 - Wire Connections

A. Use standard wire connectors (not included) to make all wire connections. (Connectors are not included with fixture.) Twist connectors until wires are tightly joined together. Wrap each connection with approved electrical tape and carefully stuff all the connected wires between Inner Backplate (A) and Fixture Body (C).

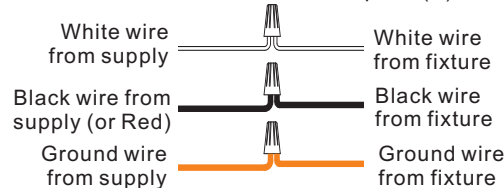


Figure 3

### STEP 4 - Apply Silicone Sealer

A. Make sure exterior wall surface and fixture backplate are free of dirt before applying caulk. Using exterior grade caulk, caulk over top of backplate and down other side. Do not caulk bottom of fixture backplate to ensure proper moisture drainage.

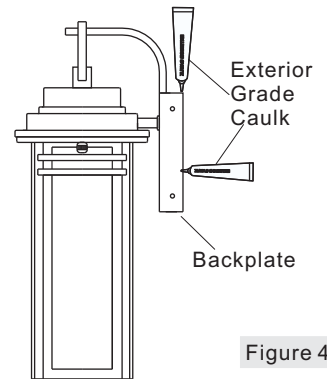


Figure 4

### STEP 1 - Install Glass

- Unlock the Mounting Ball, remove the Cage from the Fixture Body (C).
- Insert Glass Panels (D/E) into slots in the bottom edge of the Cage. Fold Tabs on the top edge of the Cage to secure Glass Panels.
- Attach the Cage with Glass Panels back onto fixture hood and secure by threading the Mounting Ball onto the Bolts. Hand tighten until snug.

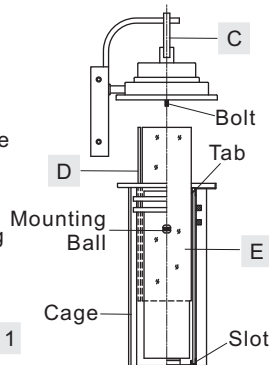


Figure 1

### STEP 2 - Install Inner Backplate and Fixture Body

- Pass the supply wires with Ground Wire through Inner Backplate (A). Attach Inner Backplate (A) to Outlet Box with the head of Green Ground Screw facing you. Secure it with Outlet Box Screws (Not included). Tighten until snug with screwdrivers.
- Refer to Step 3 for wiring connections.
- Attach the Fixture Body (C) over the Inner Backplate (A) and secure with Lock Screws (B). Tighten until snug with screwdrivers.

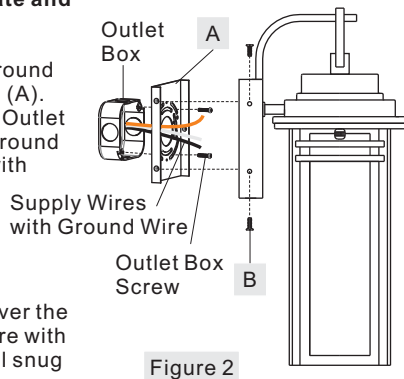
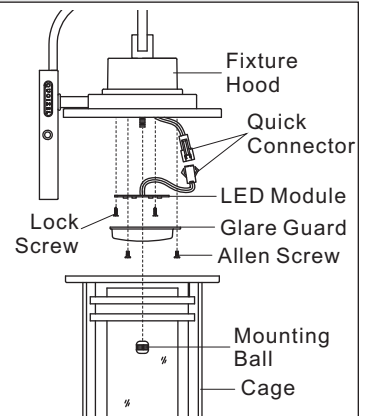


Figure 2

- Unlock the Mounting Ball, remove the Cage from the Fixture Hood.
- Remove the Glare Guard inside of the Fixture Hood by unscrewing Allen Screws. Unscrew Lock Screws on the LED Module, remove the LED Module from the fixture and pull Quick Connectors out of the Fixture Hood. Separate the Quick Connector.
- Replace the LED Module with the replacement. Connect the new LED Module to the Quick Connector and then insert the Quick Connector inside of the Fixture Hood. Secure the new LED Module onto the Fixture



### HOW TO REPLACE LED MODULE

Thank you for purchasing a Quoizel product.  
Need assistance with parts or assembly? Call Quoizel customer service at 1-800-645-3184  
or visit us on-line at [www.quoizel.com](http://www.quoizel.com)

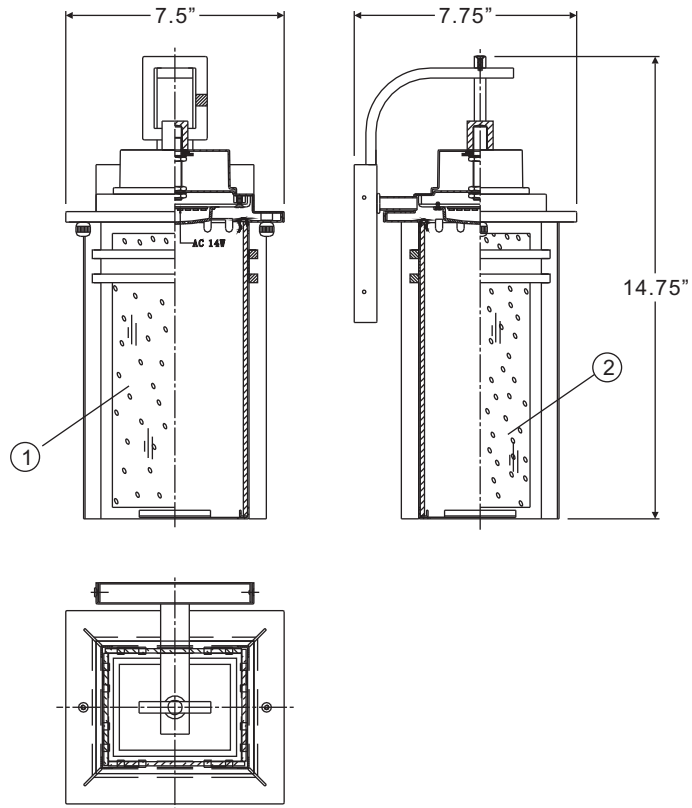
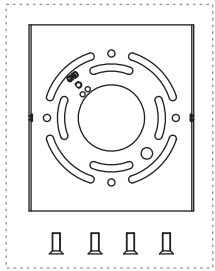
**("Replace LED Module" Continued)**

Hood with Lock Screws previously removed. Hand tighten until snug with screwdrivers.  
 D. Attach the Glare Guard back onto the LED Module and secure with Allen Screws previously removed.  
 E. Attach the Cage back onto the Fixture Hood and secure with Mounting Balls.

BEC8408SBK

FINISH: STONE BLACK

NOTE: ALL DIMENSIONS ARE ROUNDED UP TO THE NEAREST 1/4"



NO.	PART NUMBER	REPLACEMENT PART DESCRIPTION	QTY.
1	G12684PA	GLASS PANEL FRONT/BACK	2
2	G12685PA	GLASS PANEL SIDE	2

Thank you for purchasing a Quoizel product.  
 Need assistance with parts or assembly? Call Quoizel customer service at 1-800-645-3184  
 or visit us on-line at [www.quoise.com](http://www.quoise.com)