

Tools Required: Flathead screwdriver, Phillips screwdriver, pliers, wire cutters, wire strippers, electrical tape, safety glasses.

Bulb Recommended: (3) Candelabra Base 60W Maximum

Estimated Assembly Time: 20-30 minutes

Preparation: Identify and inspect all parts before beginning installation. Check package content list and diagrams below to be sure all parts are present. If any parts are missing or damaged, do not attempt to assemble, install, or operate the fixture. Contact customer service for replacement parts.

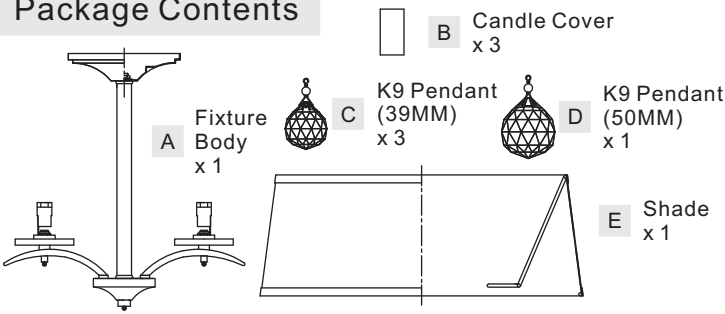
⚠ Warnings and Cautions

Turn off electricity at circuit breaker or main fuse box before installation. Consult a licensed electrician if in doubt.

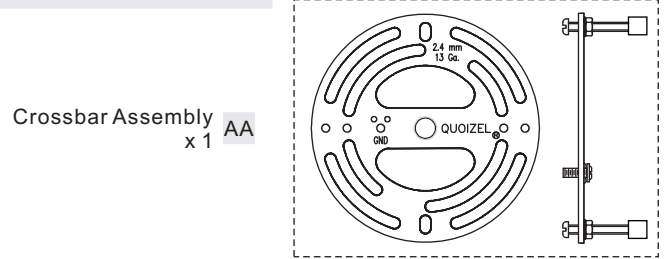
These instructions are provided for your safety. It is very important you read them completely before installing the fixture. We strongly recommend that a licensed, professional electrician perform the installation.

Disconnect fixture from power source before replacing bulbs. Make sure bulbs are given sufficient time to cool before removal. Do not subject glass parts to any shock while in operation or shattering may result.

Package Contents

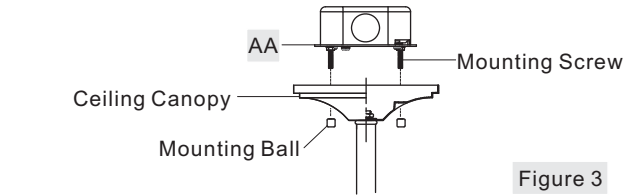
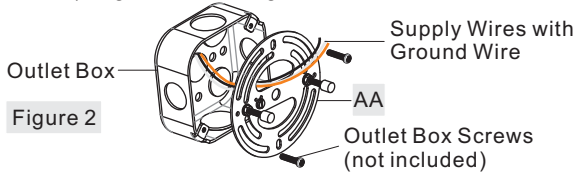


Hardware Contents



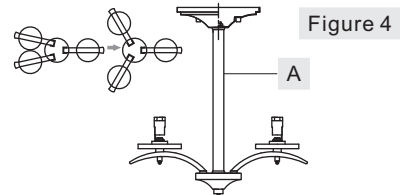
STEP 1 - Install Crossbar Assembly

A. Pass the supply wires through the Crossbar Assembly (AA). Attach the Crossbar Assembly (AA) to the Outlet Box with the head of the Green Ground Screw facing you. Secure it with Outlet Box Screws (not included). Tighten until snug.



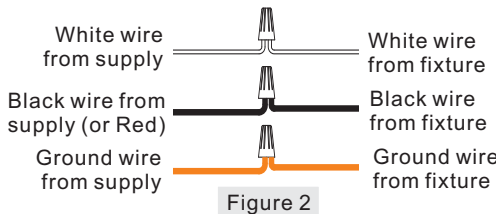
STEP 4 - Attach Crystal Ball to Fixture Body

A. Unfold support arms on socket assembly to proper locations.



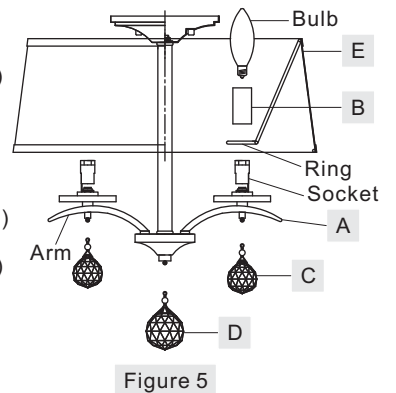
STEP 2 - Wire Connections

A. Use standard wire connectors (not included) to make all wire connections. (Connectors are not included with fixture.) Twist connectors until wires are tightly joined together. Wrap each connection with approved electrical tape and carefully stuff all the connected wires into the Outlet Box.



STEP 5 - Install Bulb and K9 Pendants

- A. Place the Ring in the Shade (E) over the Socket on the Fixture Body (A) from the bottom of Fixture Body (A), place the Candle Cover (B) over the Socket.
- B. Attach K9 Pendants (39MM) (C) to Arms on the Fixture Body (A), Big K9 Pendant (50MM) (D) and the bottom of Fixture Body (A).
- C. This fixture uses candelabra bulb with standard screw base. Maximum 60 watts.
- D. Insert bulb and screw snugly into place.



STEP 3 - Attach Fixture Body to Mounting Screw

- A. Remove Mounting Balls from the Crossbar Assembly (AA).
- B. Place the Ceiling Canopy of the Fixture Body (A) over the Mounting Screws and secure with Mounting Ball (B). Hand tighten until snug.

Your fixture is now assembled and ready to use. Enjoy!

Thank you for purchasing a Quoizel product.

Need assistance with parts or assembly? Call Quoizel customer service at 1-631-273-2700 or visit us on-line at www. quozel. com

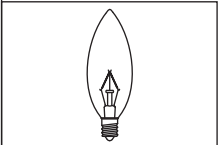
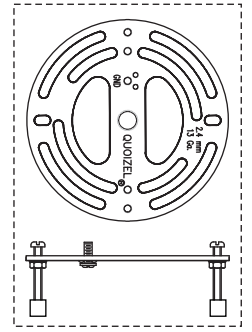
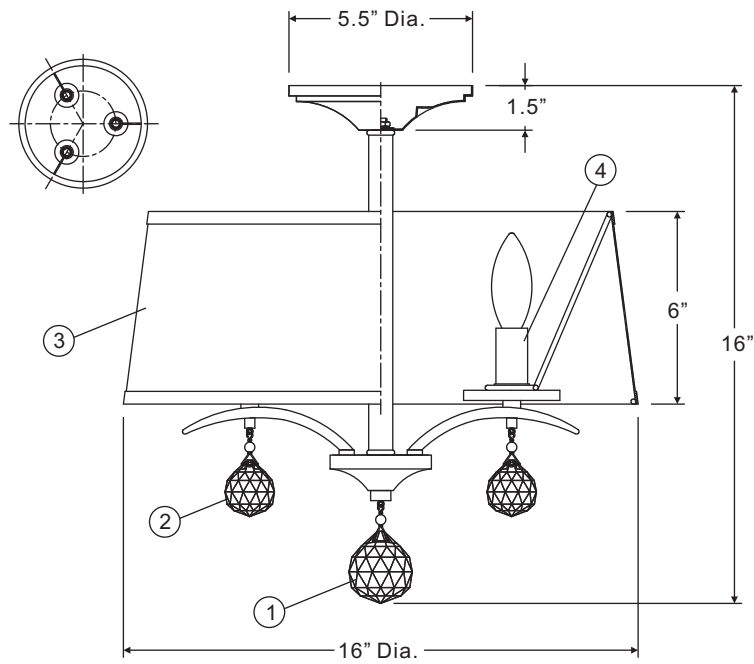
Ceiling Canopy

©2014 Quoizel Inc.

November 2014

WHI1716IS

FINISH: IMPERIAL SILVER



(3) 60W Candelabra Base Bulbs (Not Supplied)

NOTE: ALL DIMENSIONS ARE ROUNDED UP TO THE NEAREST 1/2"

NO.	PART NUMBER	REPLACEMENT PART DESCRIPTION	REQ.
1	G3973CR	K9 PENDANT (50MM)	1
2	G3974CR	K9 PENDANT (39MM)	3
3	S1779OZ	SHADE	1
4	M2427CCIS	CANDLE COVER	3

Thank you for purchasing a Quoizel product.
 Need assistance with parts or assembly? Call Quoizel customer service at 1-631-273-2700
 or visit us on-line at www.quoise.com