

Please go to [www.quoise.com](http://www.quoise.com) for product cleaning tips. Go to the **Care + Maintenance** selection.

**Tools Required:** Flathead screwdriver, Phillips screwdriver, pliers, wire cutters, wire strippers, electrical tape, safety glasses.

**Light Source:** (4) A19 Medium Base bulb 100W Maximum, Alternate bulb (4) 23W CFL.

**Estimated Assembly Time:** 30-45 minutes

**Preparation:** Identify and inspect all parts before beginning installation. Check package content list and diagrams below to be sure all parts are present. If any parts are missing or damaged, do not attempt to assemble, install, or operate the fixture. Contact customer service for replacement parts.

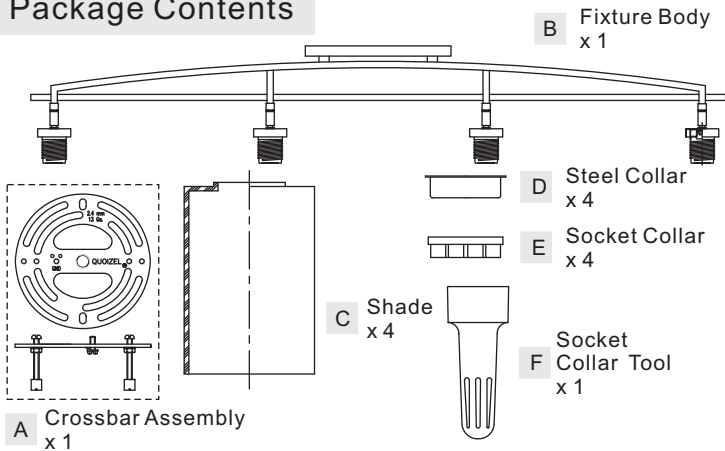
### ⚠ Warnings and Cautions

Turn off electricity at circuit breaker or main fuse box before installation. Consult a licensed electrician if in doubt.

These instructions are provided for your safety. It is very important you read them completely before installing the fixture. We strongly recommend that a licensed, professional electrician perform the installation.

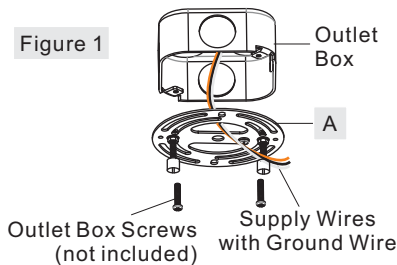
Disconnect fixture from power source before replacing bulbs. Make sure bulbs are given sufficient time to cool before removal. Do not subject glass parts to any shock while in operation or shattering may result.

### Package Contents



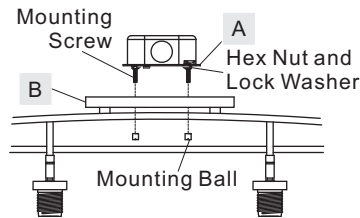
### STEP 1 - Install Crossbar Assembly

- A. Pass the supply wires through the Crossbar Assembly (A). Attach the Crossbar Assembly (A) to the Outlet Box with the head of the Green Ground Screw facing you. Secure it with Outlet Box Screws (not included). Tighten until snug.



### STEP 2 - Fit Ceiling Canopy to Crossbar Assembly

- A. Remove mounting balls from the Crossbar Assembly (A). Fit the ceiling canopy on Fixture Body (B) to the Crossbar Assembly (A) and secure with mounting balls. Note: The ceiling canopy on Fixture Body (B) should be snug against the ceiling and the mounting balls. If not, adjust the length of the nipple on the Crossbar Assembly (A) by unscrewing the preassembled hex nut and lock washer and then screwing the mounting screws in or out of the crossbar until the correct length is achieved. Once the ceiling canopy on Fixture Body (B) is secure, remove the mounting ball and ceiling canopy and proceed to Step 3.



### STEP 3 - Wire Connections

- A. Use standard wire connectors (not included) to make all wire connections. (Connectors are not included with fixture.) Twist connectors until wires are tightly joined together. Wrap each connection with approved electrical tape and carefully stuff all the connected wires into the Outlet Box.

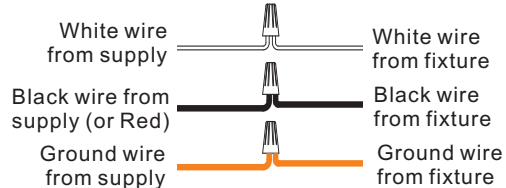


Figure 3

### STEP 4 - Install Bulb and Shade

- A. Place Shade (C) and Steel Collar (D) over the Socket, by using Socket Collar Tool (F) threading Socket Collar (E) onto the Socket. Hand tighten until snug.  
B. This fixture uses standard bulb with medium base. Maximum 100 watts. Insert bulb and screw snugly into place.  
C. Carefully hold the Shade and the Shade Holder, adjust them to your desired directions.

Your fixture is now assembled and ready to use. Enjoy!

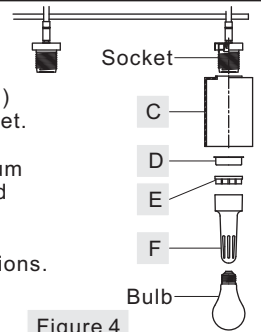
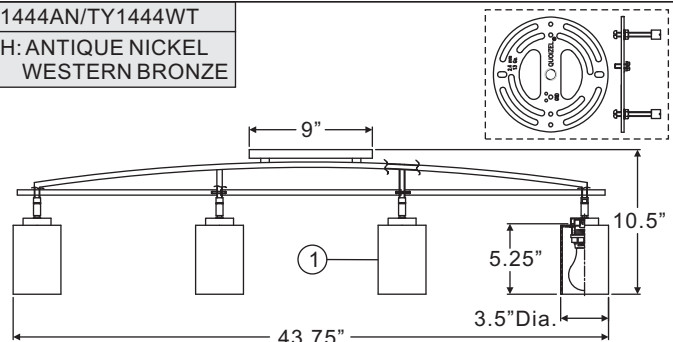


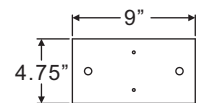
Figure 4

TY1444AN/TY1444WT  
FINISH: ANTIQUE NICKEL  
WESTERN BRONZE



(4) 100W Medium Base Bulb (Not Supplied)

NOTE: ALL DIMENSIONS ARE ROUNDED UP TO THE NEAREST 1/4"



NO.	PART NUMBER	REPLACEMENT PART	REQ.
1	G2440SH	SHADE	4

Thank you for purchasing a Quoizel product.  
Need assistance with parts or assembly? Call Quoizel customer service at 1-631-273-2700  
or visit us on-line at [www.quoise.com](http://www.quoise.com)