

Assembly Instruction Sheet #IS-TVN232DK For Style TVN232DK

Quoizel, Inc.
 6 Corporate Parkway
 Goose Creek, SC
 29445

Customer Service
 Phone 631.273.2700
 Fax 631.231.7102
 www.quoise.com

Tools Required: Flathead screwdriver, Phillips screwdriver, pliers, wire cutters, wire strippers, electrical tape, safety glasses.

Light Source: (6) Medium Base Decorative Filament 60W bulb (provided), Maximum 100W, Alternate bulb (6) 23W CFL Maximum.

Estimated Assembly Time: 30-45 minutes

Preparation: Identify and inspect all parts before beginning installation. Check package content list and diagrams below to be sure all parts are present. If any parts are missing or damaged, do not attempt to assemble, install, or operate the fixture. Contact customer service for replacement parts.

Warnings and Cautions

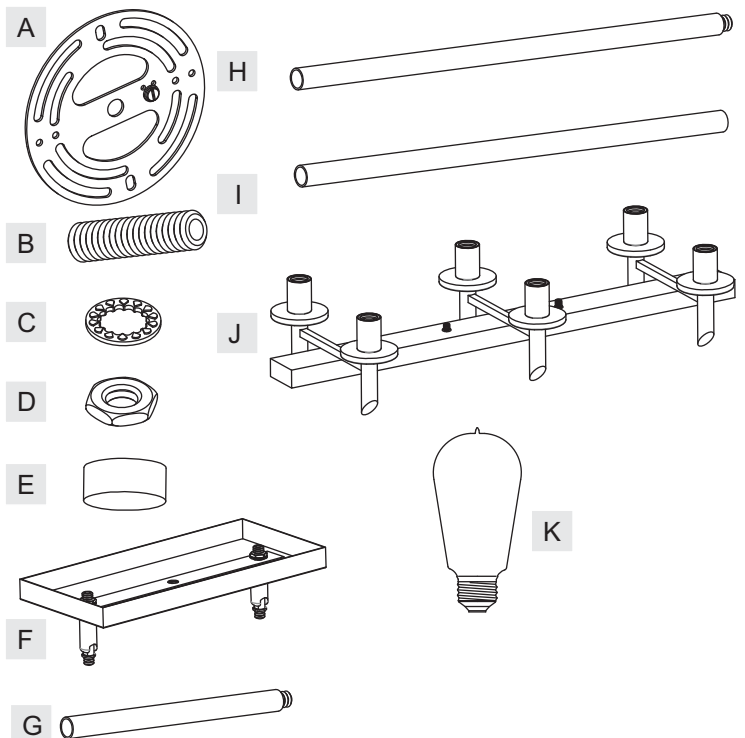
Turn off electricity at circuit breaker or main fuse box before installation. Consult a licensed electrician if in doubt.

These instructions are provided for your safety. It is very important you read them completely before installing the fixture. We strongly recommend that a licensed, professional electrician perform the installation.

Disconnect fixture from power source before replacing bulbs. Make sure bulbs are given sufficient time to cool before removal. Do not subject glass parts to any shock while in operation or shattering January result.

Package Contents

Part	Description	Quantity
A	Crossbar	1 pc.
B	Nipple	1 pc.
C	Lock Washer	1 pc.
D	Hex Nut	2 pcs.
E	Lock Ball	1 pc.
F	Ceiling Canopy	1 pc.
G	6" Rod	4 pcs.
H	12" Rod with Nipple	2 pcs.
I	12" Rod	2 pcs.
J	Socket Assembly	1 pc.
K	Vintage Bulb	6 pcs.

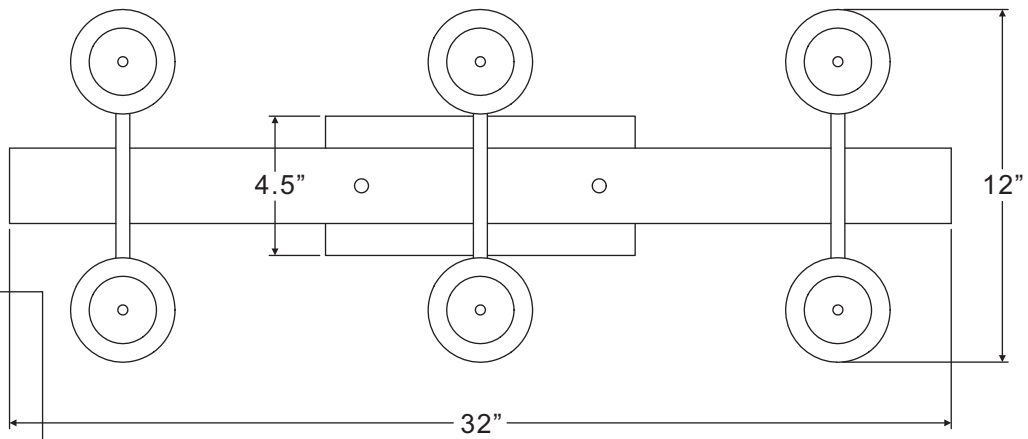
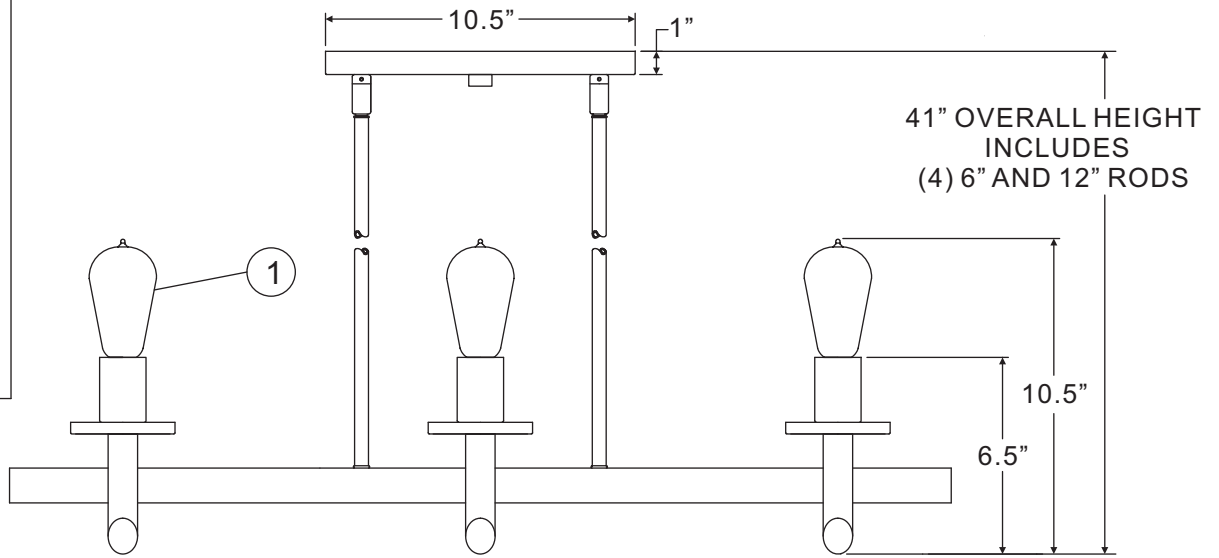
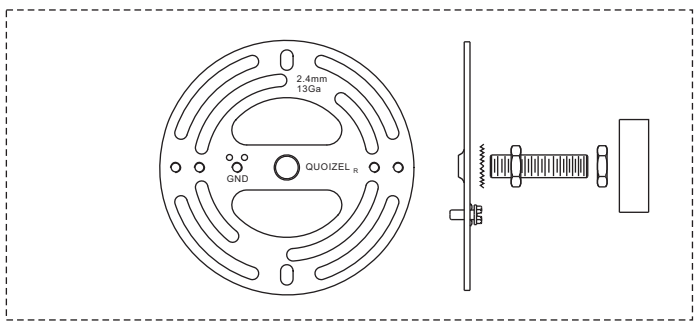
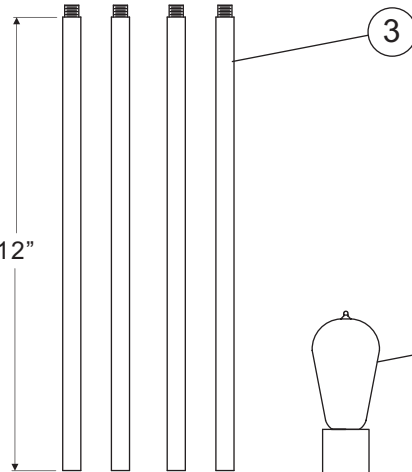
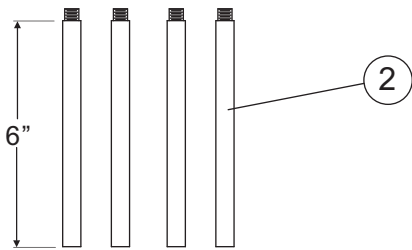


Thank you for purchasing a Quoizel product.

**Need assistance with parts or assembly? Call Quoizel customer service at 1-631-273-2700
 or visit us on-line at www.quoise.com**

TVN232DK

FINISH: WESTERN BRONZE



(6) Medium Base
Decorative
Filament 60W
bulbs (provided),
Maximum 100W.

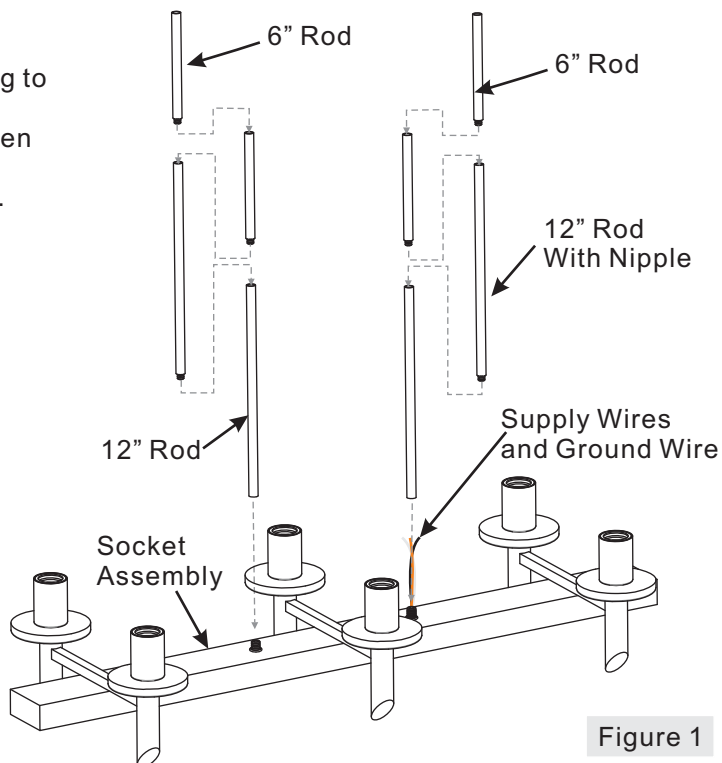
NOTE: ALL DIMENSIONS ARE ROUNDED UP TO THE NEAREST 1/2"

NO.	PART NUMBER	REPLACEMENT PART DESCRIPTION	REQ.
1	I1101EC	REPRODUCT 1910 INCANDESCENT BULB	6
2	9006EXDK	ROD EXT DARKEST BRONZE 6"L X 0.5"D	4
3	9012EXDK	ROD EXT DARKEST BRONZE 12"L X 0.5"D	4

Assembly Instruction Sheet #IS-TVN232DK For Style TVN232DK

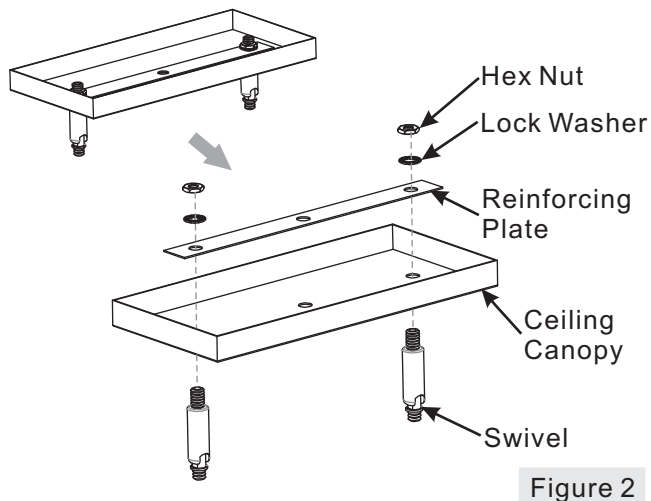
STEP 1 – Assemble Rods

- A. Determine the Rods (G/H/I) to be assembled according to your hanging height.
- B. Pass Supply Wires and Ground Wire through the chosen Rods (G/H/I). Thread the chosen Rods (G/H/I) and the Socket Assembly (J) together. Hand tighten until snug.



STEP 2 – Remove Swivel from Ceiling Canopy

- A. Take apart Swivel, Ceiling Canopy, Reinforcing Plate, Lock Washer, by unscrew Hex Nut from Nipple on the top of Swivel.

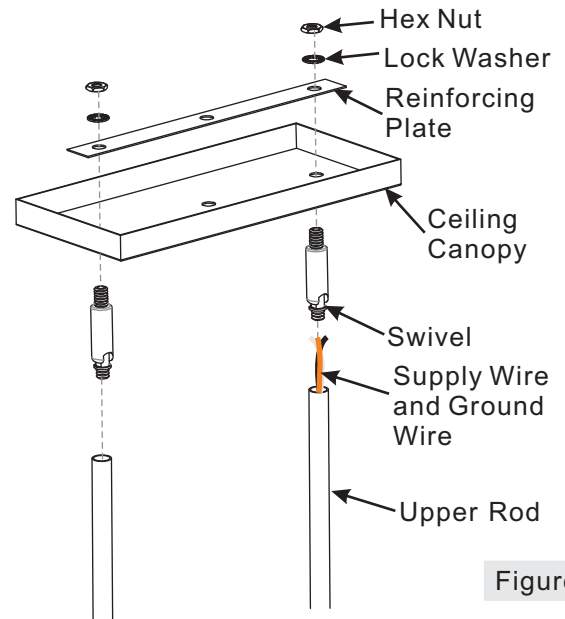


Thank you for purchasing a Quozel product.
Need assistance with parts or assembly? Call Quozel customer service at 1-631-273-2700
or visit us on-line at www. quozel. com

Assembly Instruction Sheet #IS-TVN232DK For Style TVN232DK

STEP 3 – Assemble Ceiling Canopy

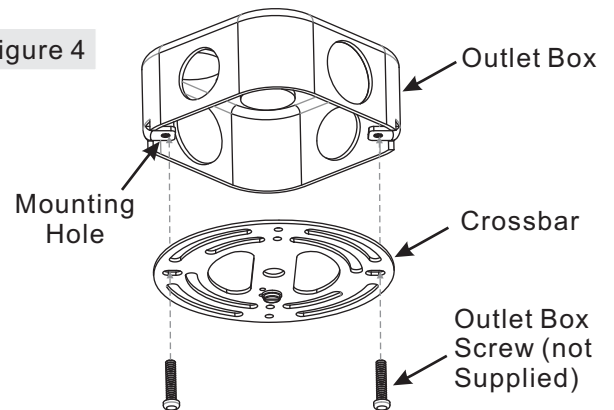
- Pass the Supply Wires and Ground Wires through Swivel with Nipple, the Ceiling Canopy, Reinforcing Plate, Lock Washers and Hex Nuts.
- Screw Swivels into the top end of the Upper Rod. Hand tighten until snug.
- Pass the Ceiling Canopy over the top ends of the Swivel . Place Reinforcing Plate and Lock Washers over one Swivel and secure with Hex Nuts. Tighten until snug.



STEP 4 – Attach Crossbar to Outlet Box

- Secure the Crossbar (A) to the outlet box with outlet box screws (not supplied). Tighten until snug.

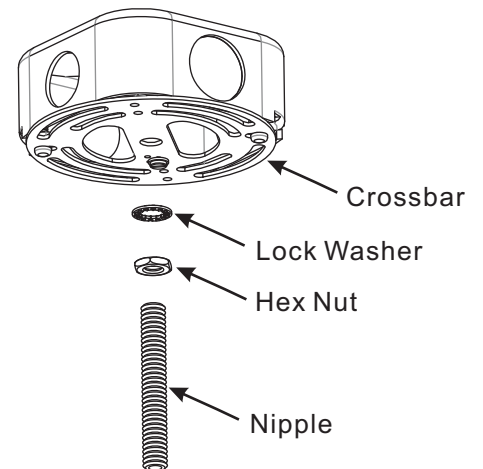
Figure 4



STEP 5 – Attach Nipple to Crossbar

- Thread one Hex Nut (D) onto the top end of the Nipple (B).
- Place one Lock Washer (C) over the top end of the Nipple (B) and then thread the Nipple (B) into the center lock hole of the Crossbar (A).
- Using pliers, thread the Hex Nut (D) against the Crossbar (A) and hand tighten until snug.

Figure 5



Thank you for purchasing a Quozel product.
Need assistance with parts or assembly? Call Quozel customer service at 1-631-273-2700
or visit us on-line at www. quozel. com

Assembly Instruction Sheet #IS-TVN232DK For Style TVN232DK

STEP 6 – Attach Lanyard

- A. The purpose of the lanyard is to provide the installer a means to support the fixture from the junction box while connecting the electrical wires. This enables the fixture to hang from the junction box and your hands are free to make the wire connections.
- B. Turn the Button Stop so it January be inserted into the crossbar slot. Make sure the Button Stop is completely inside the crossbar. Slowly release the Button Stop to make sure it is supported by the Button Stop. Proceed to the wiring steps. Once you are complete with the wiring there is nothing to do with Lanyard. The Lanyard will push into the junction box when the fixture is placed for final mounting.

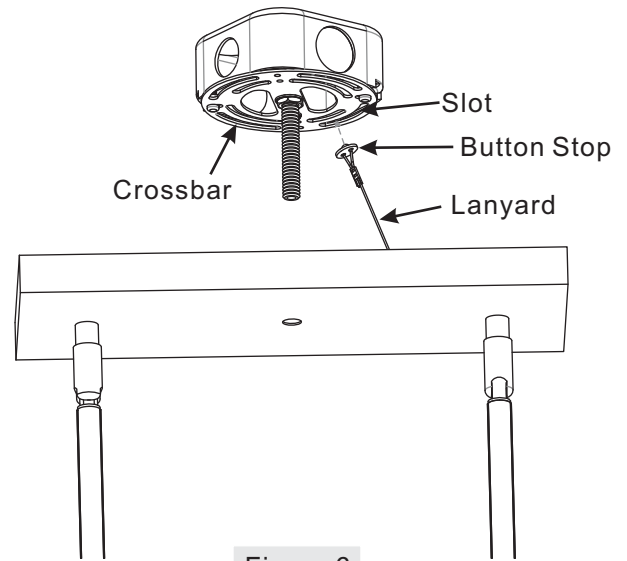


Figure 6

STEP 7 – Make Wire Connections

- A. Use standard wire connectors to make all wire connections. (Connectors are not included with fixture.) Strip and prepare wire ends according to instructions supplied with connectors.
- B. Connect White Supply Wire from the Outlet Box to White Wire from fixture.
- C. Connect Black (or Red) Supply Wire from the Outlet Box to Black Wire from fixture.
- D. Connect Ground Wire from the Outlet Box to Ground Wire from fixture.
- E. Twist connectors until wires are tightly joined together.
- F. Wrap each connection with approved electrical tape and carefully stuff all the connected wires into the Outlet Box.

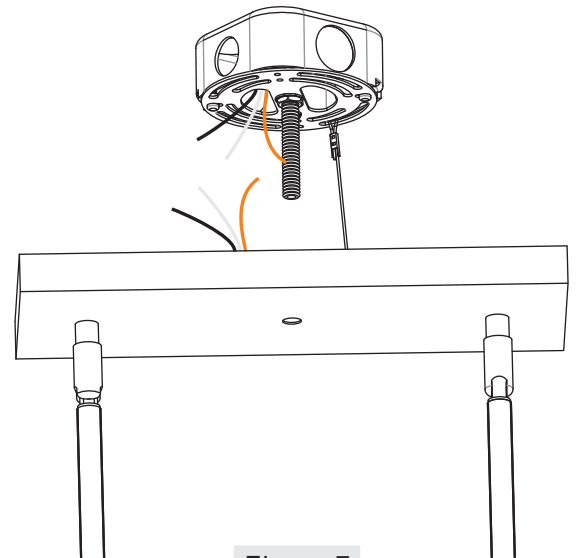


Figure 7

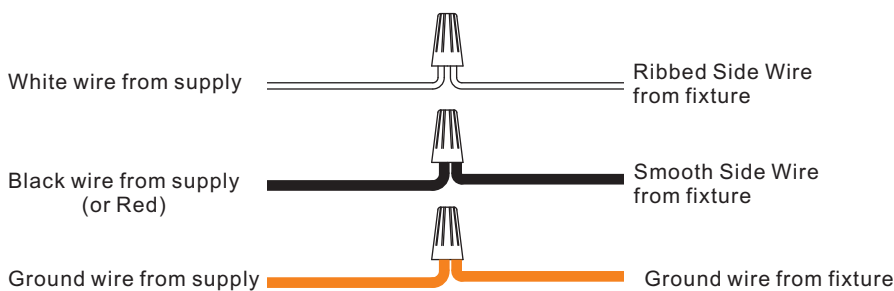


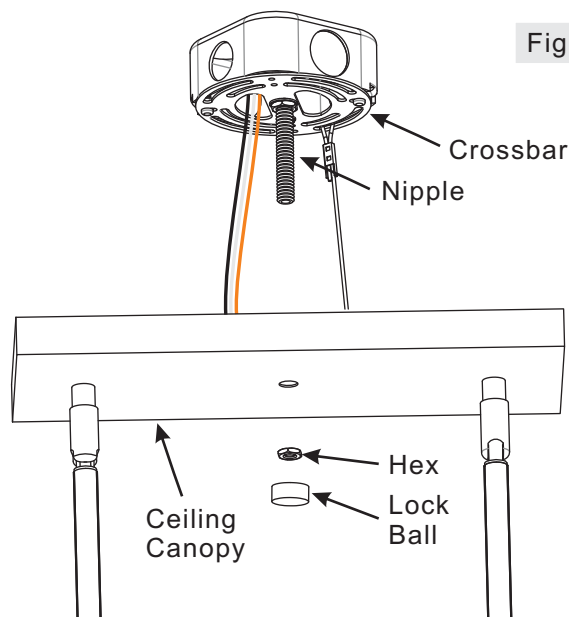
Figure 8

Thank you for purchasing a Quoizel product.
Need assistance with parts or assembly? Call Quoizel customer service at 1-631-273-2700
or visit us on-line at www.quoise.com

Assembly Instruction Sheet #IS-TVN232DK For Style TVN232DK

STEP 8 – Install Ceiling Canopy

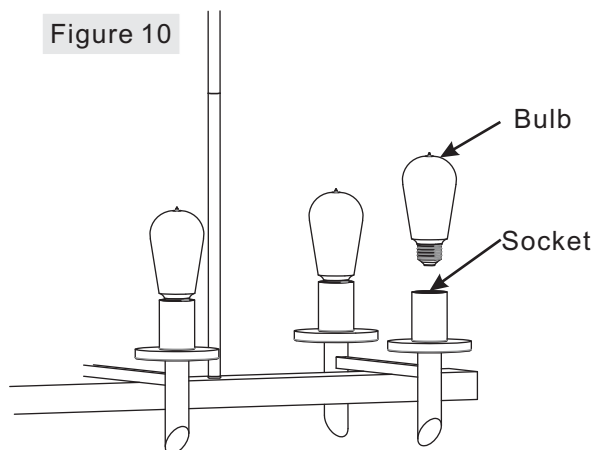
- A. Pass the Ceiling Canopy (G) over the end of the Nipple (B). Secure by threading the Hex Nut (D) onto the Nipple. Hand tighten until snug.
- B. threading the Lock Ball (E) onto the Nipple (B). Hand tighten until snug.



STEP 9 – Install Bulb

- A. This fixture uses Medium Base Decorative Filament 60W bulb (K), Maximum 100W. Insert bulb and screw snugly into place.

Your fixture is now assembled and ready to use.
Enjoy!



Thank you for purchasing a Quozel product.

Need assistance with parts or assembly? Call Quozel customer service at 1-631-273-2700
or visit us on-line at www. quozel. com