

Please go to www.quoise.com for product cleaning tips. Go to the **Care + Maintenance** selection.

Tools Required: Flathead screwdriver, Phillips screwdriver, pliers, wire cutters, wire strippers, electrical tape, safety glasses, ladder, drill with 7/32-inch drill bit.

Light Source: Integrated 35W LED

Estimated Assembly Time: 45-60 minutes

Compatible LED Dimmer Switch: (1) LUTRON DVELV-300P; (2) LUTRON SELV-300P;

Preparation: Identify and inspect all parts before beginning installation. Check package content list and diagrams below to be sure all parts are present. If any parts are missing or damaged, do not attempt to assemble, install, or operate the fixture. Contact customer service for replacement parts.

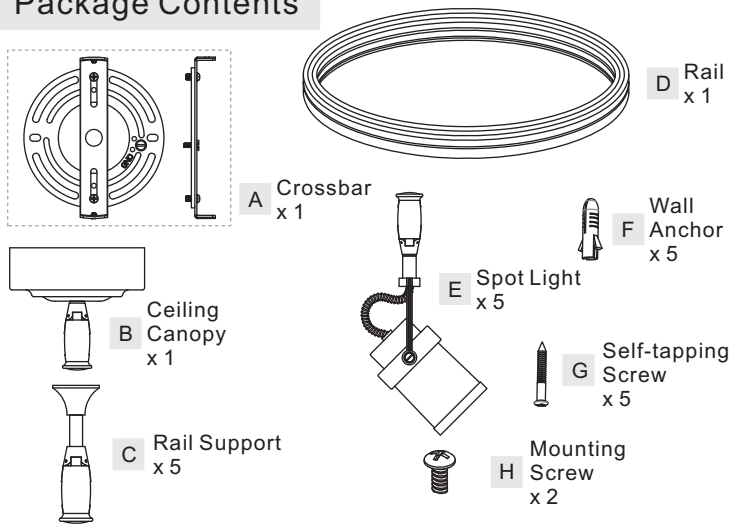
⚠ Warnings and Cautions

Turn off electricity at circuit breaker or main fuse box before installation. Consult a licensed electrician if in doubt.

These instructions are provided for your safety. It is very important you read them completely before installing the fixture. We strongly recommend that a licensed, professional electrician perform the installation.

CAUTION: To reduce the risk of fire, electrical shock, or personal injury, do not touch or remove the spot light on the rail when the light is on. Instead, turn off the electrical power. Unscrew the caps and to remove the spot light from the rail. Then reinstall them back onto the desired positions of the rail.

Package Contents



STEP 1 - Attach Crossbar to Outlet Box

A. Attach the Crossbar (A) to Outlet Box and secure by threading Outlet Box Screws (not supplied) into the Mounting Holes on the Outlet Box. Tighten until snug.

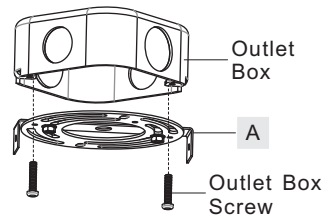


Figure 1

STEP 2 - Wire Connections

A. Use standard wire connectors (not included) to make all wire connections. (Connectors are not included with fixture.) Twist

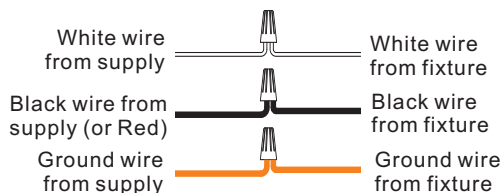


Figure 2

(Step 2 Continued)

connectors until wires are tightly joined together. Wrap each connection with approved electrical tape and carefully stuff all the connected wires into the Outlet Box.

STEP 3 - Attach Ceiling Canopy to Crossbar

A. Line up the holes on the side of the Ceiling Canopy (B) to the mounting holes on the Crossbar (A). Secure them with Mounting Screws (H). Tighten until snug.

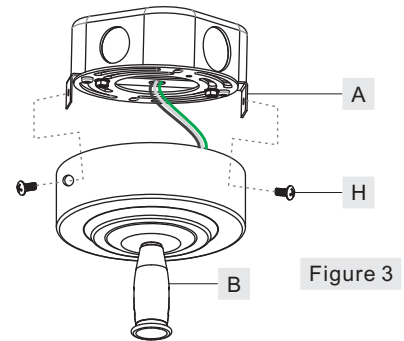


Figure 3

STEP 4 - Determine Support Position

A. Mark two positions on the ceiling where the first two Rail Supports (C) will be mounted. These Rail Supports (C) should be 14-18" from the Ceiling Canopy (B) on opposite sides of the Ceiling Canopy (B). The rail is able to bend in gentle curves or straight line as desired.
B. By using the drill with 7/32-inch drill bit, drill holes on marks.

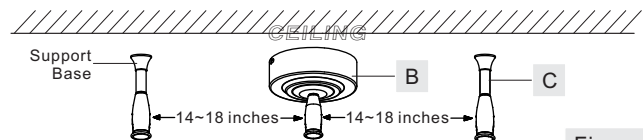


Figure 4

STEP 5 - Install Rail support

A. Disassemble Rail Supports (C) as shown.

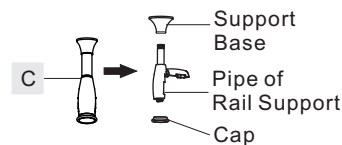


Figure 5

Thank you for purchasing a Quoizel product.
Need assistance with parts or assembly? Call Quoizel customer service at 1-631-273-2700
or visit us on-line at www.quoise.com

(Step 5 Continued)

- B. Insert the Wall Anchor (F) into the drilled hole on the ceiling. Pass the Support Base over the Wall Anchor (F) and then screw the self-tapping screw (G) through the Support Base into the wall anchor until tight.
- C. Thread the Pipe of Rail Support into the Support Base and hand tighten until snug.

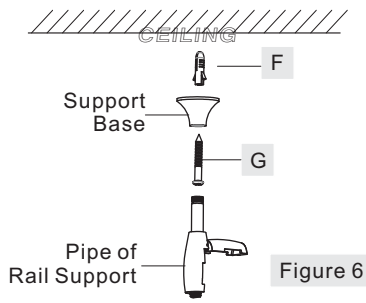


Figure 6

STEP 6 – Install Rail to Rail Support

- A. Carefully take out the Rail (D) from the package and unfold it. There is an Indented Groove and an Brass Strip in one side of the Rail (D).
 - B. Pull the Moveable Part of the Rail Support up. Attach the Rail (D) with the indented groove facing towards the fixed part of Rail Support, securely into the Rail Support.
- NOTE: The Shallow V-Groove on the Rail is always facing towards the ceiling.**
- D. Close the moveable part of Rail Support (C) over the rail, then reinstall the Caps to the Rail Support (C).

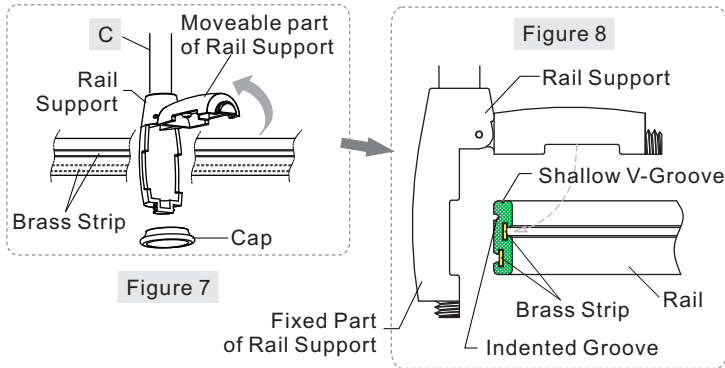


Figure 7

Figure 8

STEP 7 – Install Rail to Ceiling Canopy

- A. Unscrew the Cap from the Rail Adapter, and then pull the Moveable Part of the Rail Adapter body up.
- B. Place the Rail (D) with the indented groove facing towards the

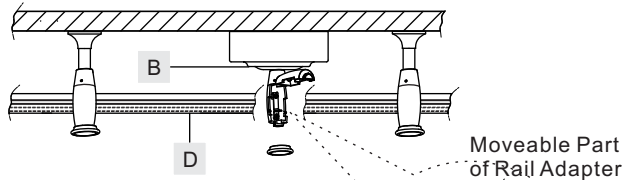


Figure 9

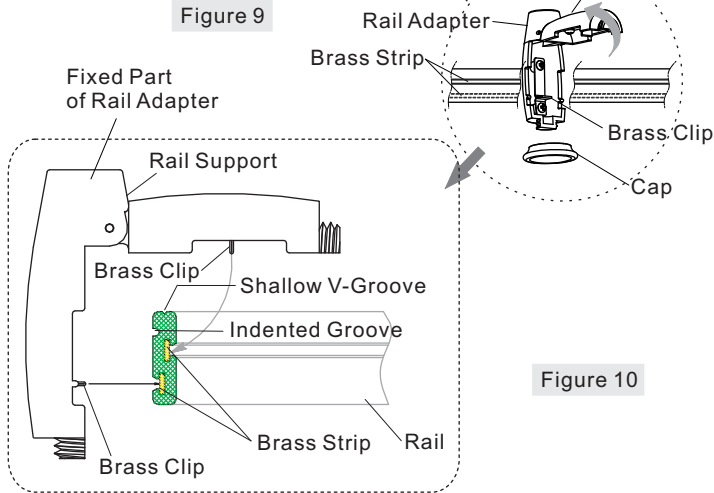


Figure 10

(Step 7 Continued)

fixed part of the Rail Adapter. Connect the Brass Clip on the Fixed Part of the Rail Adapter to the Brass Strip on the same side of the Indented Groove properly.

Note: The Shallow V-Groove on the Rail is always facing towards the ceiling.

- C. Close the Moveable Part of Rail Adapter over the Rail (D), then restore the caps back to the Rail Adapter. Make certain that the Brass Clip on the Moveable Part of Rail Adapter is connected properly with the Brass Strips of the Rail (D).
- D. Shape the Rail (D) as desired. Then mark and drill the desired positions on the ceiling for the rest of the Rail Supports (C). Repeat the steps of Rail Supports Installations to locate the rest Rail Supports. Then Follow steps STEP 6 of Rail Installation to install the Rail onto the other rail supports.

STEP 8 – Spot Light Installation

- A. Choose one spot light, unscrew the Cap from the Rail Adapter of the Spot Light (E), then pull the Moveable Part of Rail Adapter body down.
 - B. Attach the Rail Adapter of the Spot Light (E) onto the Rail (D). Close the Moveable Part of Rail Adaptor over the Rail (D), then reinstall the Cap to the Rail Adapter. Make sure that Brass Clips on the Adapter are touched to Brass Strips of the Rail properly.
- CAUTION: To ensure the fixture works correctly, make sure the connection between the adapter and the rail is correct. The Shallow V-Groove on the Rail is always facing towards the ceiling.**
- C. Follow steps A~B to install the other spot lights onto the rail.
- Note: Adjust the spotlight head to a desired position by using the swivel.**

Your fixture is now assembled and ready to use. Enjoy!

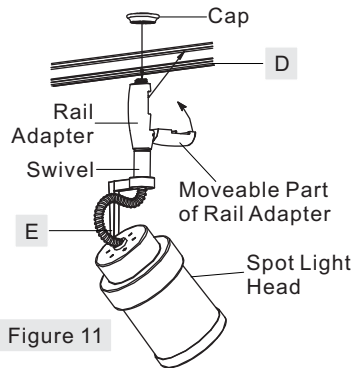


Figure 11

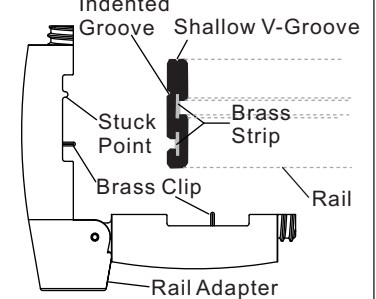


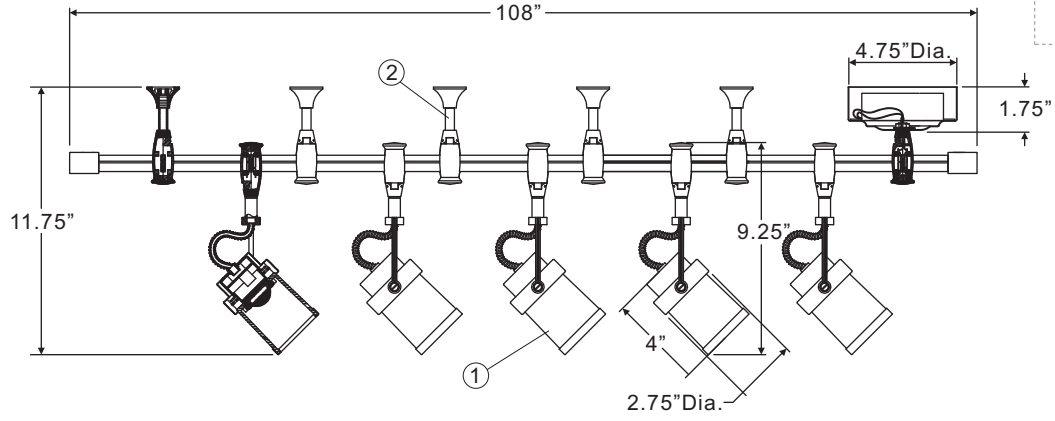
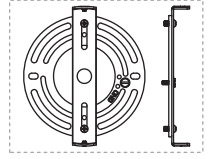
Figure 12

Thank you for purchasing a Quoizel product.
Need assistance with parts or assembly? Call Quoizel customer service at 1-631-273-2700
or visit us on-line at www.quoise.com

THR1405WT/THR1405BN

NOTE: ALL DIMENSIONS ARE ROUNDED UP TO THE NEAREST 1/4"

FINISH: WESTERN BRONZE
BRUSHED NICKEL



NO.	PART NUMBER	REPLACEMENT PART	QTY.	ITEM NUMBER
1	G12765SH	HEAD	5	THR1405WT
2	G12767DE	RAIL SUPPORT	5	
1	G12766SH	HEAD	5	THR1405BN
2	G12768DE	RAIL SUPPORT	5	

Thank you for purchasing a Quoizel product.
Need assistance with parts or assembly? Call Quoizel customer service at 1-631-273-2700
or visit us on-line at www.quoise.com