

Assembly Instruction Sheet #IS-TFNO6325VA

For Style TFNO6325VA

Quoizel, Inc.
 6 Corporate Parkway
 Goose Creek, SC
 29445

Customer Service
 Phone 631.273.2700
 Fax 631.231.7102
 www.quoizel.com

Tools Required: None

Bulb Recommended: (2) Medium Base 75W Maximum

Estimated Assembly Time: 15-20 minutes

Preparation: Identify and inspect all parts before beginning installation. Check package content list and diagrams below to be sure all parts are present. If any parts are missing or damaged, do not attempt to assemble, install, or operate the fixture. Contact customer service for replacement parts.

Warnings and Cautions

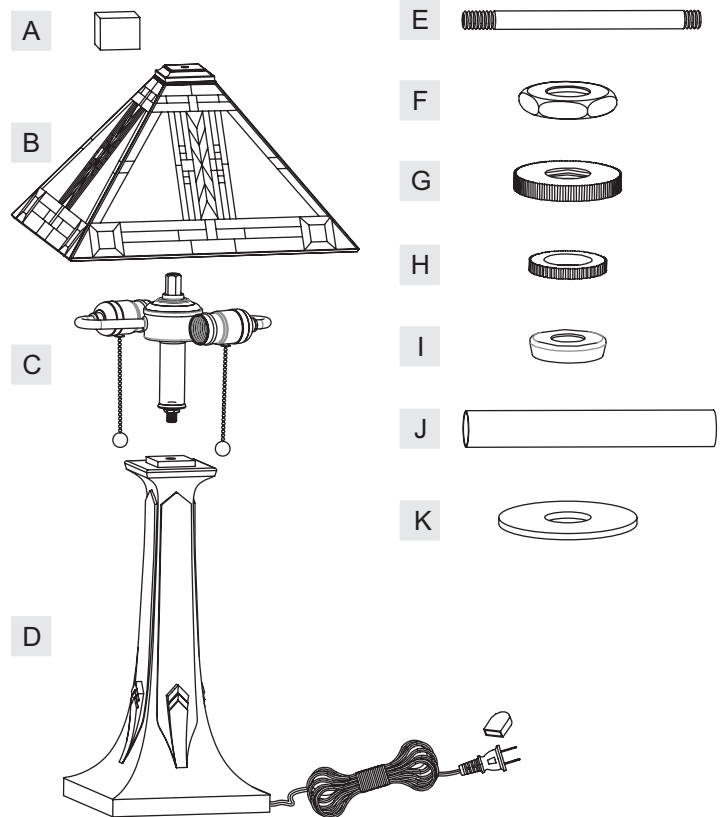
Turn off electricity at circuit breaker or main fuse box before installation. Consult a licensed electrician if in doubt.

These instructions are provided for your safety. It is very important you read them completely before installing the fixture. We strongly recommend that a licensed, professional electrician perform the installation.

Disconnect fixture from power source before replacing bulbs. Make sure bulbs are given sufficient time to cool before removal. Do not subject glass parts to any shock while in operation or shattering may result.

Package Contents

Part	Description	Quantity
A	Finial	1 pc.
B	Shade	1 pc.
C	Socket Assembly	1 pc.
D	Base	1 pc.
E	Stem 6 1/8" L	1 pc.
F	Hex Nut	1 pc.
G	Big Knurled Nut	1 pc.
H	Small Knurled Nut	1 pc.
I	Check Ring	1 pc.
J	Spacer 5 1/2" L	1 pc.
K	Flat Washer	1 pc.

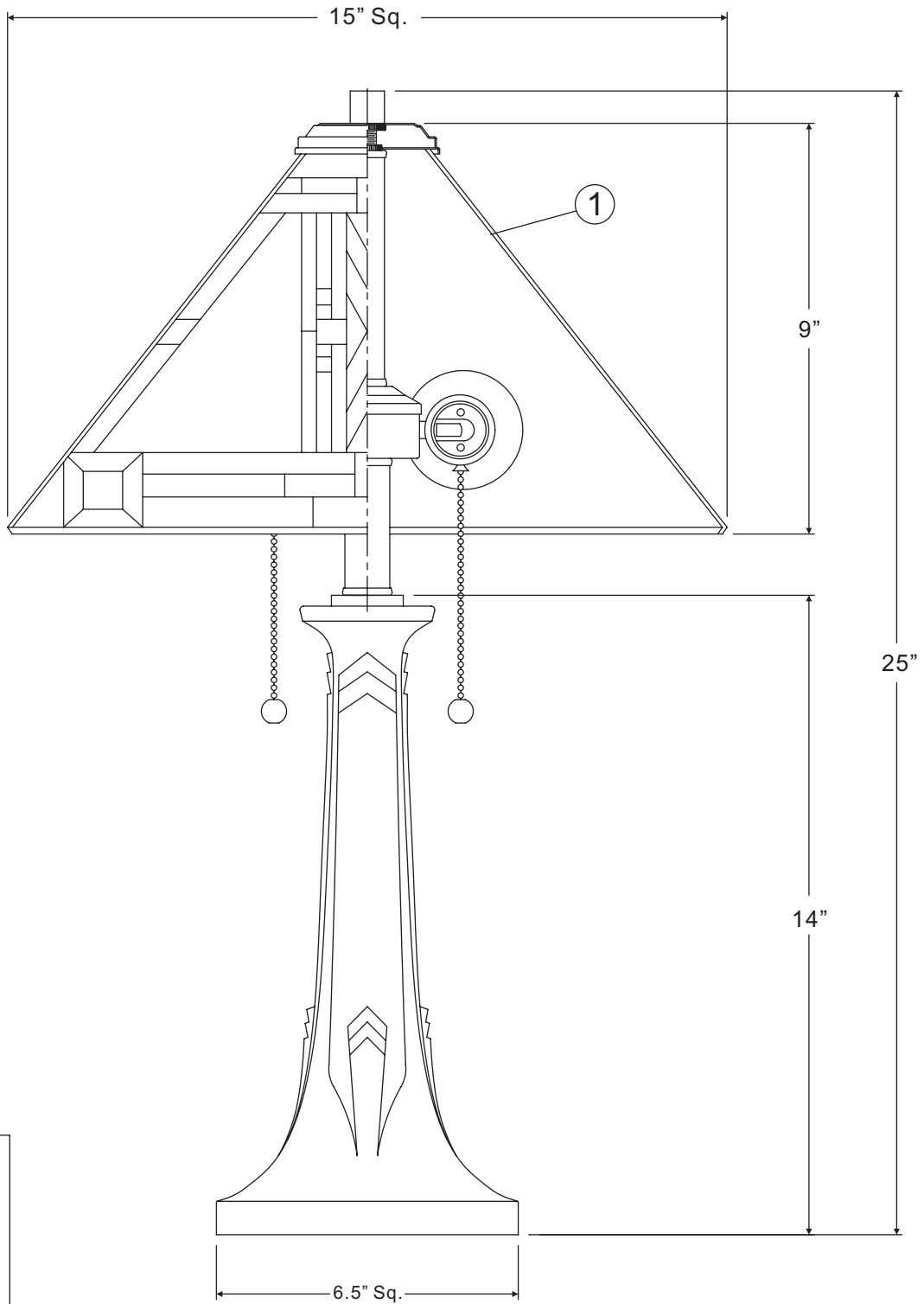


Thank you for purchasing a Quoizel product.

Need assistance with parts or assembly? Call Quoizel customer service at 1-631-273-2700 or visit us on-line at www.quoizel.com

TFNO6325VA

FINISH: VALIANT BRONZE



(2) 75W
Medium Base Bulb
(Not Supplied)

NOTE: ALL DIMENSIONS ARE ROUNDED UP TO THE NEAREST 1/2"

NO.	PART NUMBER	REPLACEMENT PART DESCRIPTION	REQ.
1	G3583SH	TIFFANY SHADE 15" SQ	1
2			

STEP 1 – Assemble Socket Assembly to Base

- A. Thread the Nipple on the bottom of Socket Assembly (C) into the Base (D). Hand tighten until snug.

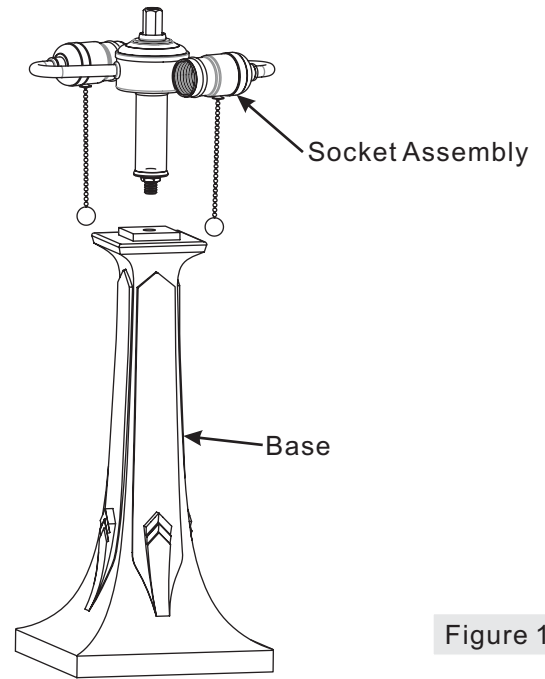


Figure 1

STEP 2 – Install Stem

- A. Thread the Hex Nut (F) onto the short nipple end of Stem (E) then thread the Hex Nut (F) end of Stem (E) into the Hex Coupling on the top of Socket Assembly (C). Hand tighten until snug.

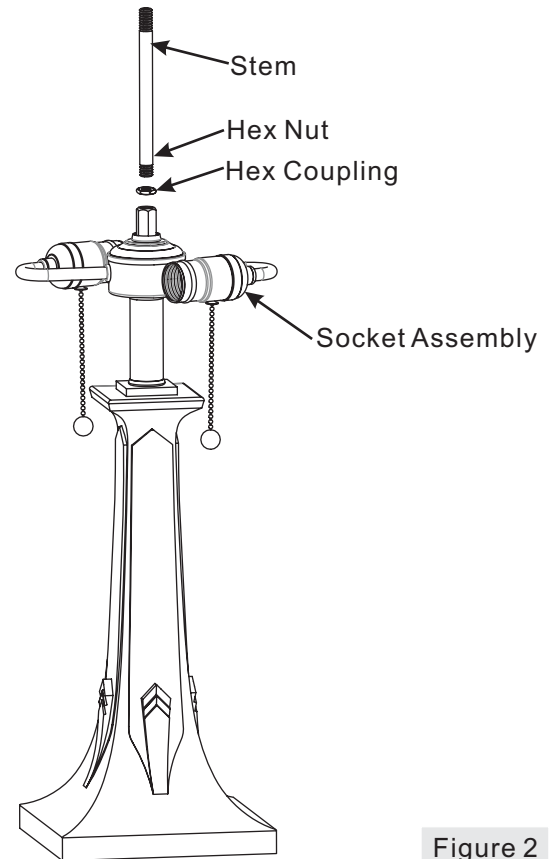


Figure 2

Thank you for purchasing a Quozel product.
Need assistance with parts or assembly? Call Quozel customer service at 1-631-273-2700
or visit us on-line at www. quozel. com

STEP 3 – Attach Spacer to Fixture

- A. Place the Spacer (J) and Check Ring (I) over the Stem (E). Secure by thread the Small Knurled Nut (H) onto the Stem(E). Hand tighten until snug.

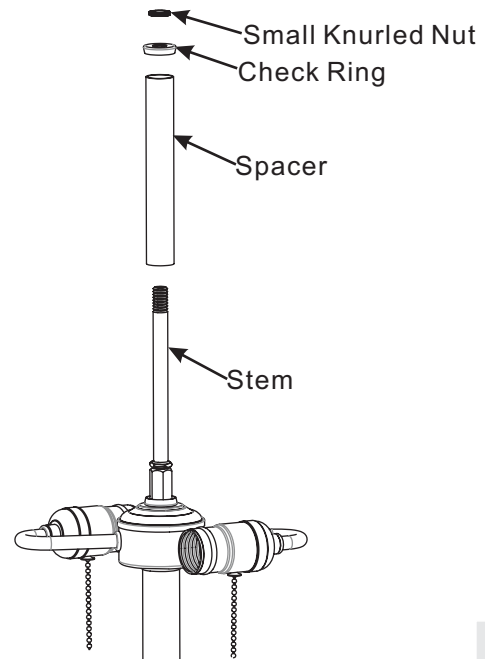


Figure 3

STEP 4 – Assemble Shade

- A. Thread the Big Knurled Nut (G) onto the Stem(E), hand tighten until snug.
B. Place the Flat Washer (K) and Shade (B) over the Stem (E). Secure by thread the Finial (A) onto the Stem(E). Hand tighten until snug.

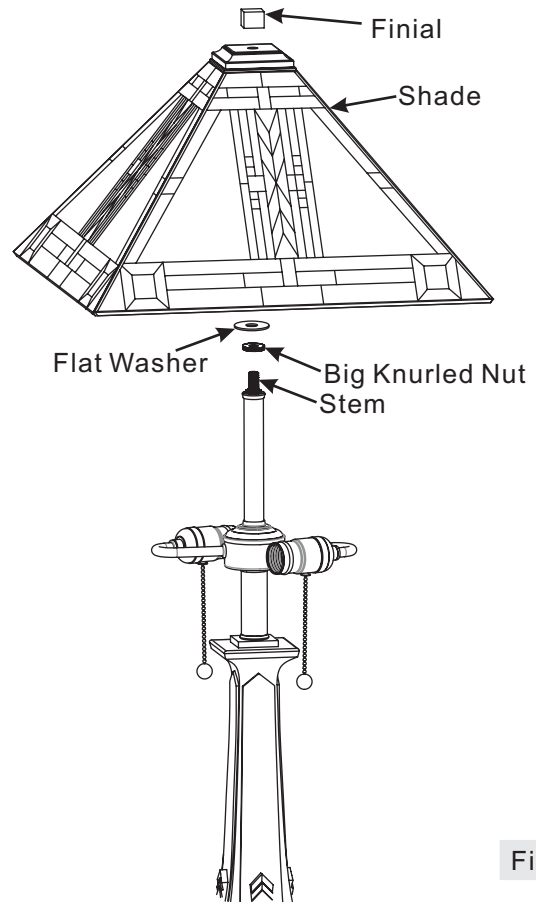


Figure 4

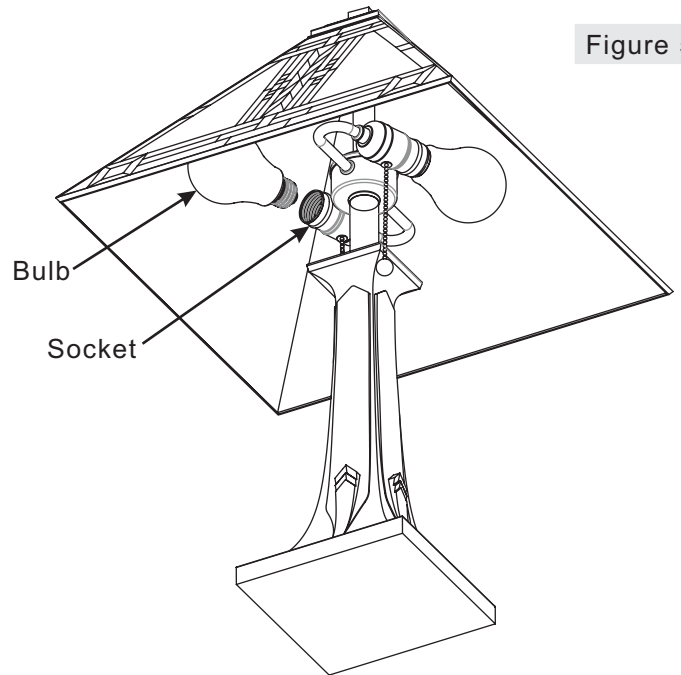
**Thank you for purchasing a Quoizel product.
Need assistance with parts or assembly? Call Quoizel customer service at 1-631-273-2700
or visit us on-line at www. quozel. com**

STEP 5 – Install Bulb

- A. This fixture uses standard bulbs with medium screw bases. Maximum 75 watts.
- B. Insert bulb and screw snugly into place.

Your fixture is now assembled and ready to use.
Enjoy!

Figure 5



**Thank you for purchasing a Quoizel product.
Need assistance with parts or assembly? Call Quoizel customer service at 1-631-273-2700
or visit us on-line at www. quoizel. com**