

Tools Required: Flathead screwdriver, Phillips screwdriver, pliers, wire cutters, wire strippers, electrical tape, safety glasses.

Bulb Recommended: (2) Medium Base 75W Maximum, Alternate bulb (2) 19W CFL

Estimated Assembly Time: 20-30 minutes

Preparation: Identify and inspect all parts before beginning installation. Check package content list and diagrams below to be sure all parts are present. If any parts are missing or damaged, do not attempt to assemble, install, or operate the fixture. Contact customer service for replacement parts.

⚠ Warnings and Cautions

Turn off electricity at circuit breaker or main fuse box before installation. Consult a licensed electrician if in doubt.

These instructions are provided for your safety. It is very important you read them completely before installing the fixture. We strongly recommend that a licensed, professional electrician perform the installation.

Disconnect fixture from power source before replacing bulbs. Make sure bulbs are given sufficient time to cool before removal. Do not subject glass parts to any shock while in operation or shattering may result.

⚠ Care of Tiffany Style Shade

A new tiffany lamp shade has an oil film applied to the shade that protects the tiffany shade from scratches during shipment. If the oil applied is too heavy you can remove the excess oil film with a paper towel. Gently wipe away the excess oil.

For general cleaning of tiffany shades use a gentle lemon oil-based furniture polish applied to a soft cloth and wipe gently.

If a white powder appears on the soldered joints of the tiffany shade this is a normal oxidation process. Use a small amount of lemon oil or mineral oil applied directly to oxidized areas and the soldered area will return to like new.

Assembly Instructions:

- A. Thread the Socket Assembly and the Base together as shown. Hand tighten until snug.
- B. Thread hex nut end of Nipple into the hex coupling, hand tighten until snug.
- C. Place Spacer and Check Ring over the Nipple, secure with the Small Knurled Nut and hand tighten until snug.
- D. Thread the Big Knurled Nut onto the Nipple, adjust it to proper location for rest components. Place the flat washer and the Shade over the Nipple. Secure them with the Finial. Hand tighten until snug.
- F. This fixture uses standard bulb with medium base. Maximum 75 watts. Insert bulb and screw snugly into place.

Your fixture is now assembled and ready to use. Enjoy!

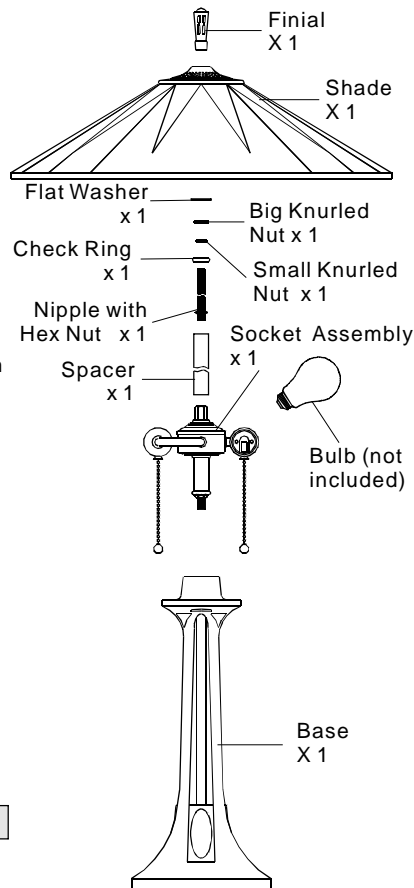
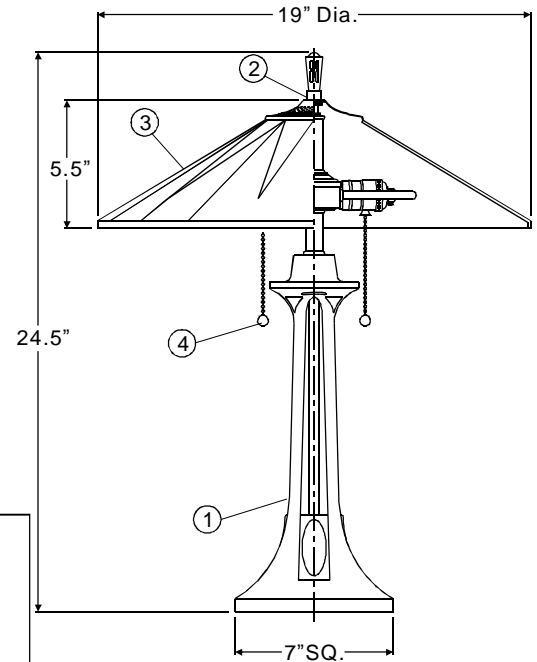


Figure 1

TF6668VB



(2) 75W Medium Base Bulbs (Not Supplied)

NOTE: ALL DIMENSIONS ARE ROUNDED UP TO THE NEAREST 1/2"

NO.	PART NUMBER	REPLACEMENT PART DESCRIPTION	REQ.
1	16668VBT	BASE VINTAGE BRONZE TABLE LAMP	1
2	M014FIR	FINIAL ARC BRONZE	1
3	G6906SH	GLASS TIFFANY 5.75H X 19.25D	1
4	M860BLA	BALL 5/8" DIA BRASS	2

Thank you for purchasing a Quoizel product.
 Need assistance with parts or assembly? Call Quoizel customer service at 1-631-273-2700
 or visit us on-line at www. quozel. com