

Tools Required: Flathead screwdriver, Phillips screwdriver, pliers, wire cutters, wire strippers, electrical tape, safety glasses.

Bulb Recommended: (5) Medium Base 100W Maximum, Alternate bulb (5) 23WCFL

Estimated Assembly Time: 30-45 minutes

Preparation: Identify and inspect all parts before beginning installation. Check package content list and diagrams below to be sure all parts are present. If any parts are missing or damaged, do not attempt to assemble, install, or operate the fixture. Contact customer service for replacement parts.

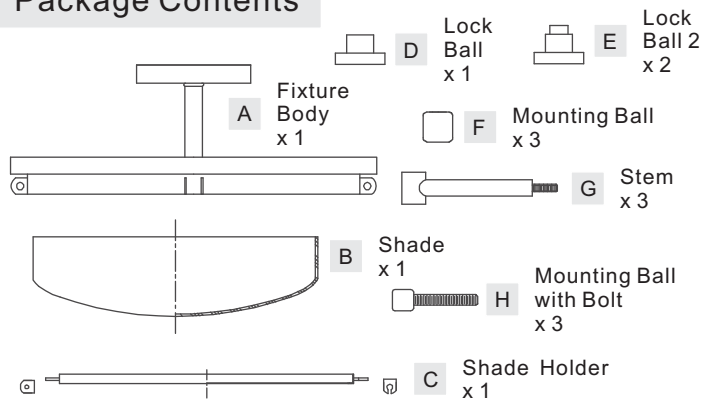
⚠ Warnings and Cautions

Turn off electricity at circuit breaker or main fuse box before installation. Consult a licensed electrician if in doubt.

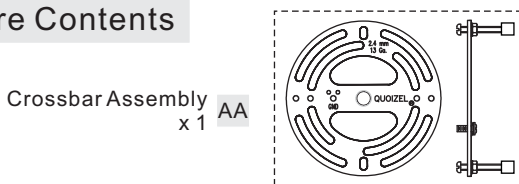
These instructions are provided for your safety. It is very important you read them completely before installing the fixture. We strongly recommend that a licensed, professional electrician perform the installation.

Disconnect fixture from power source before replacing bulbs. Make sure bulbs are given sufficient time to cool before removal. Do not subject glass parts to any shock while in operation or shattering may result.

Package Contents



Hardware Contents



STEP 1 – Install Stem to Fixture Body

A. Place Stem (G) between Tabs on the side of Fixture Body (A). Pass Mounting Ball with Bolt (H) through holes on Tabs and Stem (G). Thread Mounting Ball (F) onto bolt and hand tighten until snug to secure Stem (G).

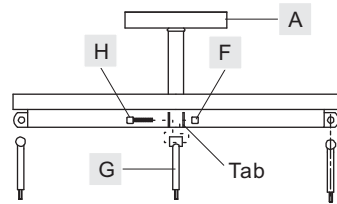


Figure 1

STEP 2 – Install Crossbar Assembly

A. Pass the supply wires through the Crossbar Assembly (AA). Attach the Crossbar Assembly (AA) to the Outlet Box with the head of the Green Ground Screw facing you. Secure it with Outlet Box Screws (not included). Tighten until snug.

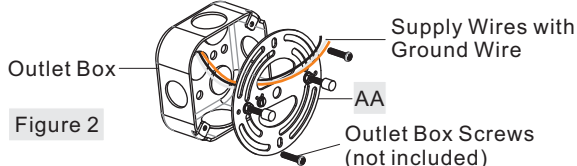


Figure 2

STEP 3 – Fit Ceiling Canopy to Crossbar Assembly

A. Remove mounting balls from the Crossbar Assembly (AA). Fit the ceiling canopy of the Fixture Body (A) to the Crossbar Assembly (AA) and secure with mounting balls. Note: The Ceiling Canopy should be snug against the ceiling and the mounting balls. If not, adjust the length of the nipple on the Crossbar Assembly (AA) by unscrewing the preassembled hex nut and lock washer and then screwing the mounting screws in or out of the crossbar until the correct length is achieved. Once the Ceiling Canopy is secure, remove the mounting ball and Ceiling Canopy and proceed to Step 4.

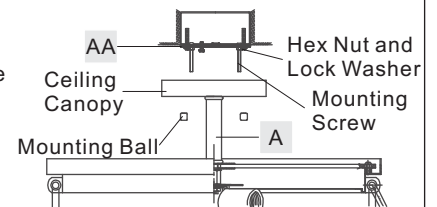


Figure 3

STEP 4 - Wire Connections

A. Use standard wire connectors (not included) to make all wire connections. (Connectors are not included with fixture.) Twist connectors until wires are tightly joined together. Wrap each connection with approved electrical tape and carefully stuff all the connected wires into the Outlet Box.

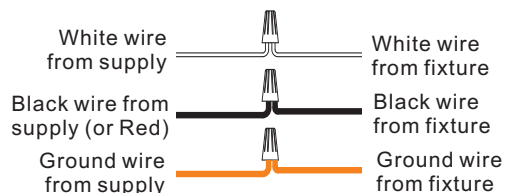


Figure 4

STEP 5 – Install Fixture Body

A. Carefully tuck all wires into the outlet box and position the Ceiling Canopy on the Fixture Body (A) over the outlet box. Align the holes in the Ceiling Canopy with the mounting screws, then attach the Ceiling Canopy using the previously removed mounting balls. Hand tighten until snug.

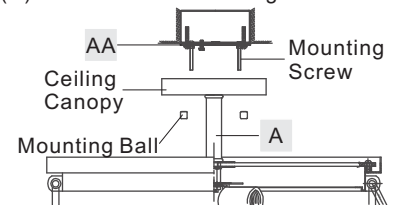


Figure 5

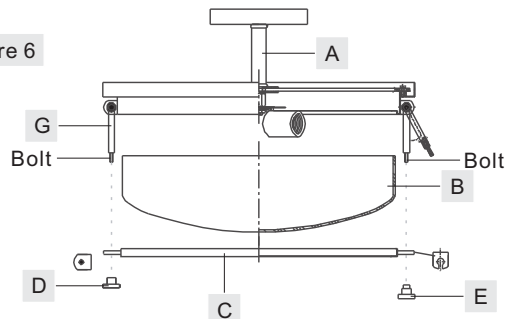
STEP 6 – Attach Shade to Fixture Body

A. Seat Shade (B) inside of Shade Holder (C). Life Shade Holder (C) with Shade (B) upward. Pass the hole on one Tab at Shade Holder

Thank you for purchasing a Quoizel product.
Need assistance with parts or assembly? Call Quoizel customer service at 1-631-273-2700
or visit us on-line at www. quozel. com

(C) over one end of Stem (G) and thread Lock Ball (D) onto the Stem (G). Rotate the rest two Stem (G) and slip them into other (2) Tabs at Shade Holder (C) and secure with Lock Ball 2 (E). Hand tighten until snug to secure the Shade (B).

Figure 6



STEP 7 - Install Bulb

- A. This fixture uses standard bulb with medium screw base. Maximum 100 watts.
- B. Insert bulb and screw snugly into place.

Your fixture is now assembled and ready to use. Enjoy!

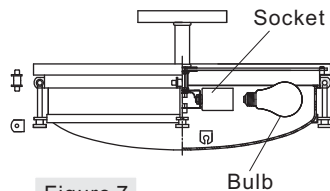
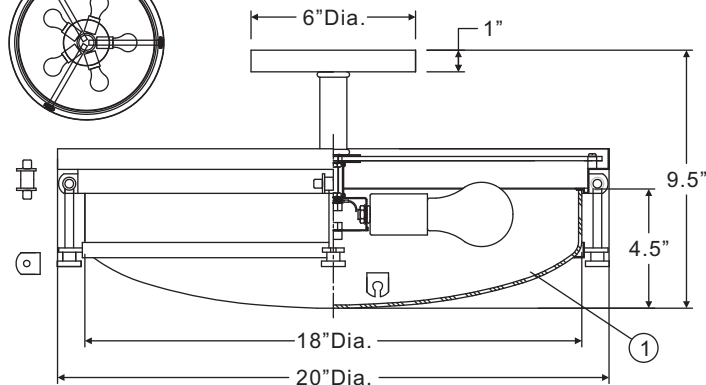
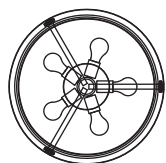
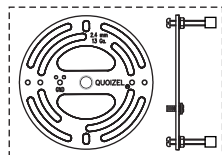


Figure 7

SLR1720AN\SLR1720WT

FINISH: ANTIQUE NICKEL
WESTERN BRONZE



NOTE: ALL DIMENSIONS ARE ROUNDED UP TO THE NEAREST 1/2"

(5) 100W Medium Base Bulbs (Not Supplied)

NO.	PART NUMBER	REPLACEMENT PART	REQ.
1	G3860SH	GLASS	1

Thank you for purchasing a Quoizel product.
Need assistance with parts or assembly? Call Quoizel customer service at 1-631-273-2700 or visit us on-line at www.quoise.com