

Please go to www.quozel.com for product cleaning tips. Go to the **Care + Maintenance** selection.

Tools Required: Flathead screwdriver, Phillips screwdriver, pliers, wire cutters, wire strippers, electrical tape, safety glasses.

Light Source: Integrated 15W LED

Compatible Dimmer Switches: Lutron DVELV-300P or Lutron SELV-300P.

Estimated Assembly Time: 20-30 minutes

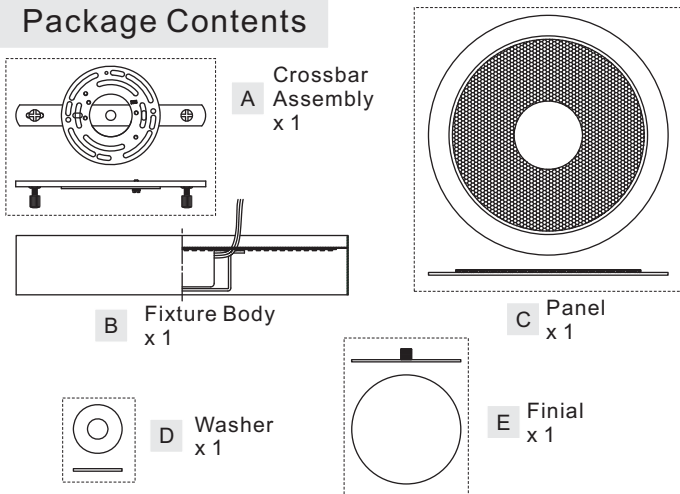
Preparation: Identify and inspect all parts before beginning installation. Check package content list and diagrams below to be sure all parts are present. If any parts are missing or damaged, do not attempt to assemble, install, or operate the fixture. Contact customer service for replacement parts.

⚠ Warnings and Cautions

Turn off electricity at circuit breaker or main fuse box before installation. Consult a licensed electrician if in doubt.

These instructions are provided for your safety. It is very important you read them completely before installing the fixture. We strongly recommend that a licensed, professional electrician perform the installation.

Package Contents



(Step 2 Continued)

Fixture Body (B) to the Crossbar Assembly (A) and secure with mounting balls. Note: The Fixture Body (B) should be snug against the ceiling and the mounting balls. If not, adjust the length of the mounting screw on the Crossbar Assembly (A) by unscrewing the preassembled hex nut and lock washer and then screwing the mounting screws in or out of the Crossbar Assembly (A) until the correct length is achieved. Once the Fixture Body (B) is secure, remove the mounting ball and Fixture Body (B) and proceed to Step 3.

STEP 3 - Wire Connections

A. Use standard wire connectors (not included) to make all wire connections. Twist connectors until wires are tightly joined together. Wrap each connection with approved electrical tape and carefully stuff all the connected wires into the Outlet Box.

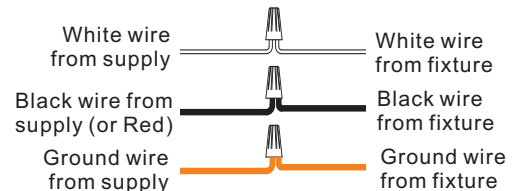


Figure 3

STEP 1 - Attach Crossbar Assembly to Outlet Box

A. Attach Crossbar Assembly (A) onto the Outlet Box and secure with outlet box screws (not supplied). Hand tighten until snug.

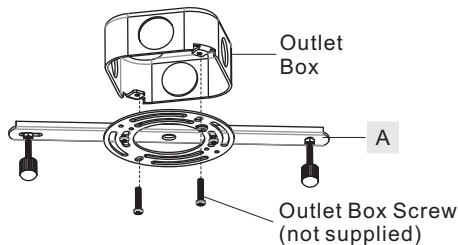


Figure 1

STEP 4 - Install Fixture Body

A. Carefully tuck all wires into the outlet box and position the Fixture Body (B) over the outlet box. Align the holes in the Fixture Body (B) with mounting screws. Attach Fixture Body (B) by using mounting balls. Hand tighten until snug.

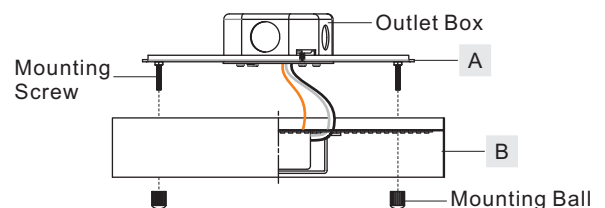


Figure 4

STEP 2 - Test Fitting Fixture Body to Crossbar Assembly

A. Remove mounting balls from the Crossbar Assembly (A). Fit the

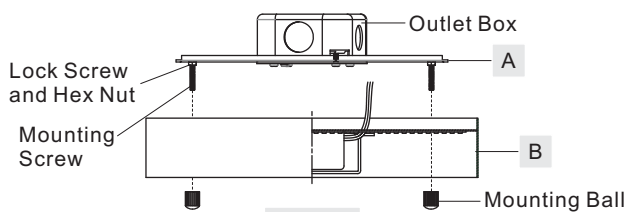


Figure 2

Thank you for purchasing a Quoizel product.
Need assistance with parts or assembly? Call Quoizel customer service at 1-800-645-3184
or visit us on-line at www.quozel.com

STEP 5 - Attach Panel

A. Attach the Panel (C) onto the Fixture Body (D) with the Glass Bead Side against the Fixture Body (D). Place the Rubber Washer (E) over the nipple on the Finial (E) and then thread the Finial (E) onto the Bracket of Fixture Body (B) to secure the Panel (C). Hand tighten until snug.

Your fixture is now assembled and ready to use. Enjoy!

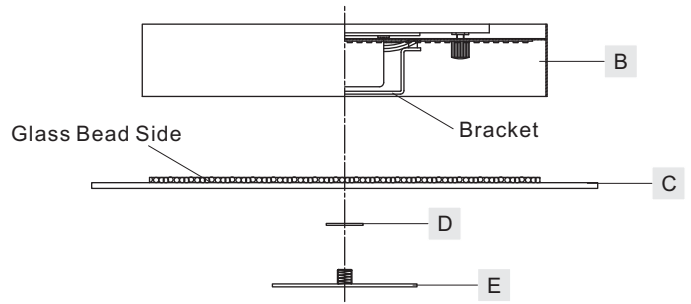
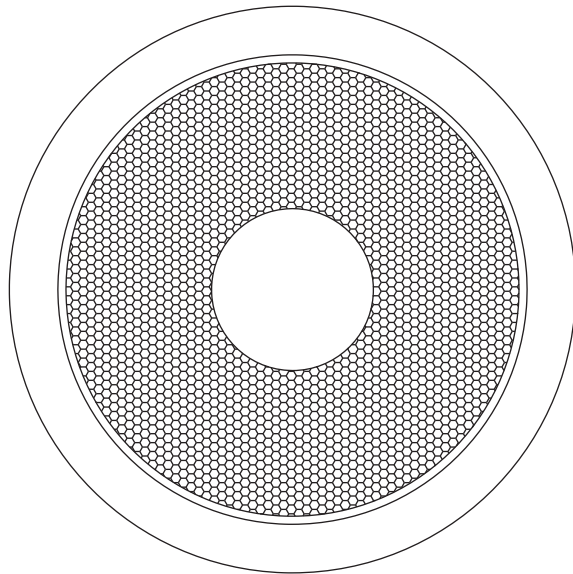
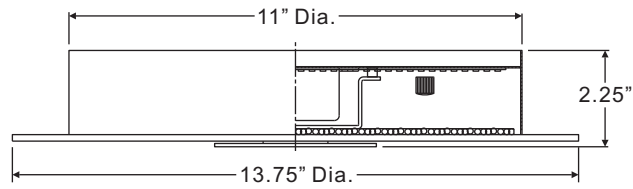
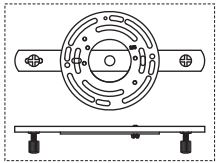


Figure 5

PCMT1614C	PCMT1614W
FINISH: POLISHED CHROME	FINISH: WHITE LUSTRE



NOTE: ALL DIMENSIONS ARE ROUNDED UP TO THE NEAREST 1/4"

Thank you for purchasing a Quoizel product.
Need assistance with parts or assembly? Call Quoizel customer service at 1-800-645-3184
or visit us on-line at www.quoizel.com