

Please go to www.quoizel.com for product cleaning tips. Go to the **Care + Maintenance** selection.

Tools Required: Flathead screwdriver, Phillips screwdriver, pliers, wire cutters, wire strippers, electrical tape, safety glasses.

Light Source: LED 24W

Estimated Assembly Time: 45-60 minutes

Preparation: Identify and inspect all parts before beginning installation. Check package content list and diagrams below to be sure all parts are present. If any parts are missing or damaged, do not attempt to assemble, install, or operate the fixture. Contact customer service for replacement parts.

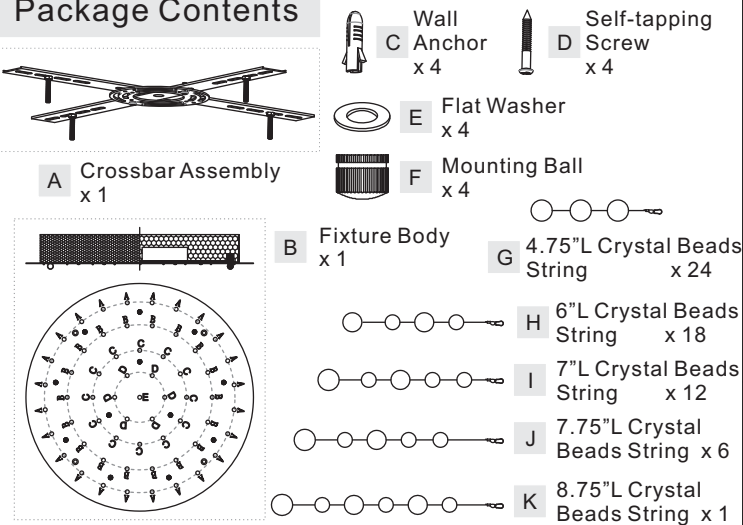
⚠ Warnings and Cautions

Turn off electricity at circuit breaker or main fuse box before installation. Consult a licensed electrician if in doubt.

These instructions are provided for your safety. It is very important you read them completely before installing the fixture. We strongly recommend that a licensed, professional electrician perform the installation.

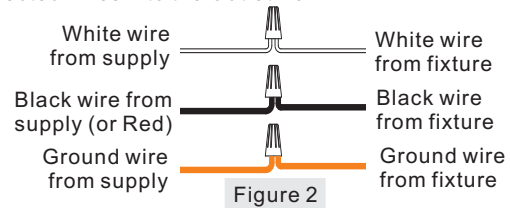
Disconnect fixture from power source before replacing bulbs. Make sure bulbs are given sufficient time to cool before removal. Do not subject glass parts to any shock while in operation or shattering may result.

Package Contents



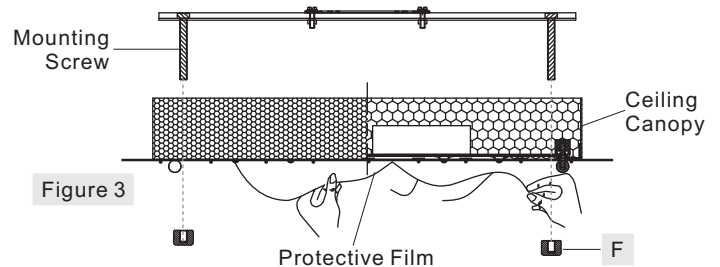
STEP 2 - Wire Connections

A. Use standard wire connectors (not included) to make all wire connections. (Connectors are not included with fixture.) Twist connectors until wires are tightly joined together. Wrap each connection with approved electrical tape and carefully stuff all the connected wires into the Outlet Box.



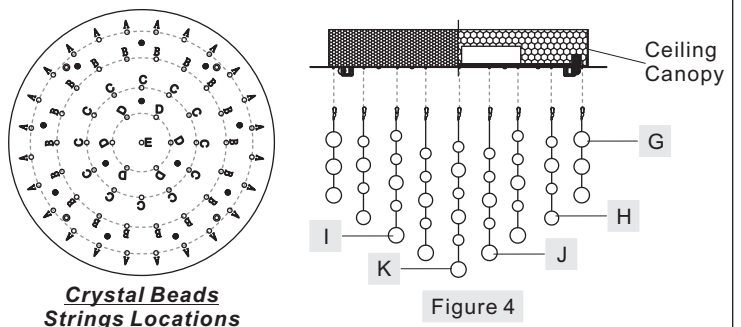
STEP 3 - Attach Ceiling Canopy to Mounting Screw

A. Remove Protective Film from Ceiling Canopy. Place the Ceiling Canopy on the Fixture Body (B) over the Mounting Screws and secure with Mounting Balls (F). Hand tighten until snug.



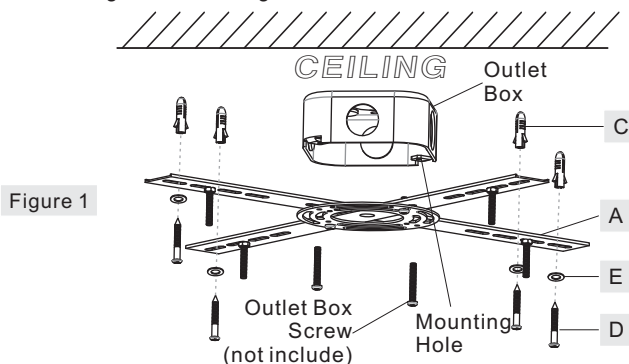
STEP 4 - Attach Crystal Beads Strings

A. (Refer to *Crystal Beads Strings Locations*) Attach Crystal Beads Strings from inside to outside. Attach the 8.75" L Crystal Beads



STEP 1 - Attach Inner Backplate to Outlet Box

- Place the Crossbar (A) onto the Ceiling surface and line up one set of holes onto mounting holes on Outlet Box. Using a pencil, mark the locations for Wall Anchors (C).
- Remove the Crossbar (A) and drill holes from the marks and then push the Wall Anchors (C) into the holes.
- Position the Crossbar (A) back onto the Ceiling. Thread the Outlet Box Screws (not supplied) into the mounting holes on the Outlet Box to secure it. Hand tighten until snug.
- Pass the Flat Washers (E) over the Self-tapping screws (D) and then thread the self-tapping screws (D) into the Wall Anchors (C). Hand tighten until snug.



Thank you for purchasing a Quoizel product.
Need assistance with parts or assembly? Call Quoizel customer service at 1-631-273-2700
or visit us on-line at www.quoizel.com

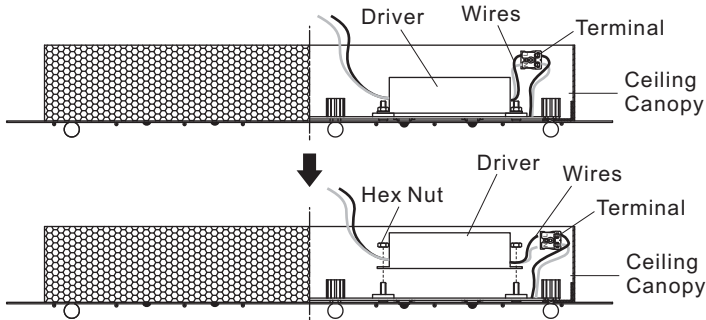
(Step 4 Continued)

String (K) to the location "E"; Attach 7.75"L Crystal Beads Strings (J) to location "D"; Attach 7"L Crystal Beads Strings (I) to location "C"; Attach 6"L Crystal Beads Strings (H) to location "B"; Attach 4.75"L Crystal Beads Strings (G) to location "A".

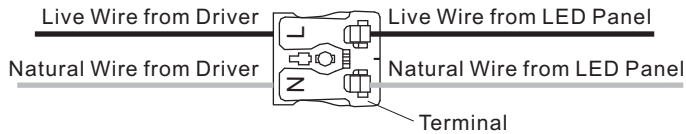
Your fixture is now assembled and ready to use. Enjoy!

How To Replace The Driver

- Disconnect the fixture from the outlet box.
- Unplug Driver wires from the Terminal by pressing the tabs on the Terminal. Unlock Hex Nuts on the side of the Driver and replace the Driver with a new one. Tighten the new Driver with the previously removed Hex Nuts.



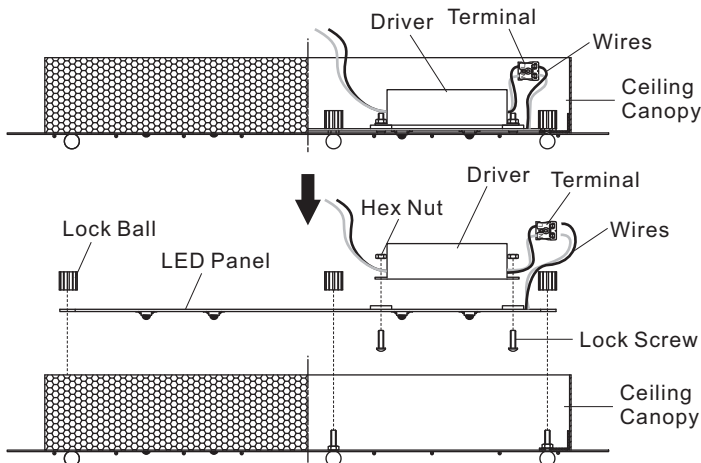
- Connect the Live Wire from Driver to Port "L" on the Terminal, which is the corresponding port of the Live Wire from LED Panel. Connect the Natural Wire from Driver to Port "N" on the Terminal, which is the corresponding port of the Natural Wire from LED Panel.



- Return to Step 2 to complete the installation of the fixture.

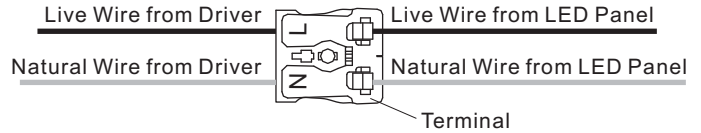
How To Replace The LED Panel

- Disconnect the fixture from the outlet box.
- Unscrew Lock Balls inside of the Ceiling Canopy. Remove LED Panel.
- Unplug LED wires from the Terminal by pressing the tabs on the Terminal. Unlock Hex Nuts on the side of the Driver and remove the Driver from LED Panel.
- Place the Driver onto the replacement LED Panel and secure with Lock Screws and Hex Nuts. Place the replacement LED Panel with the Driver into the Ceiling Canopy and secure with previously removed Lock Balls. Hand tighten until snug.



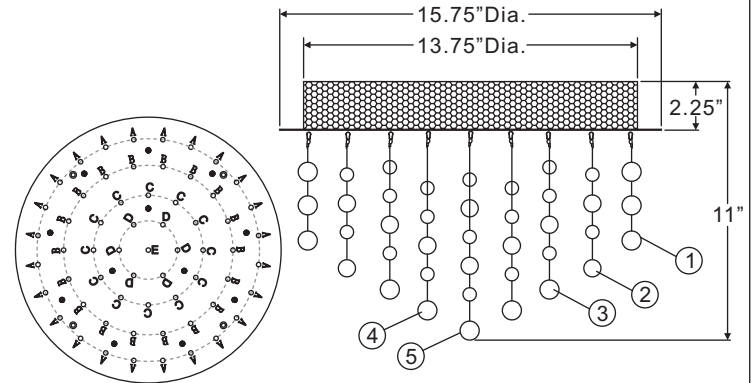
How To Replace The LED Panel (Continue)

- Connect the Live Wire from LED Panel to the corresponding port of the Live Wire from Driver. Connect the Natural Wire from LED Panel to the corresponding port of the Natural Wire from Driver.



- Return to Step 2 to complete the installation of the fixture.

PCHE1616C
FINISH: POLISHED CHROME



NOTE: ALL DIMENSIONS ARE ROUNDED UP TO THE NEAREST 1/4"

NO.	PART NUMBER	REPLACEMENT PART	REQ.
1	G12105CR	DECORATIVE CRYSTAL BALL PART "A"	24
2	G11908CR	DECORATIVE CRYSTAL BALL PART "B"	18
3	G12106CR	DECORATIVE CRYSTAL BALL PART "C"	12
4	G12107CR	DECORATIVE CRYSTAL BALL PART "D"	6
5	G11909CR	DECORATIVE CRYSTAL BALL PART "E"	1

Thank you for purchasing a Quoizel product.
Need assistance with parts or assembly? Call Quoizel customer service at 1-631-273-2700
or visit us on-line at www.quoizel.com