

**Tools Required:** Flathead screwdriver, Phillips screwdriver, pliers, wire cutters, wire strippers, electrical tape, safety glasses.

**Bulb Recommended:** (9) G4 Xenon Clear Bulb, 20W Maximum

**Estimated Assembly Time:** 30-45 minutes

**Preparation:** Identify and inspect all parts before beginning installation. Check package content list and diagrams below to be sure all parts are present. If any parts are missing or damaged, do not attempt to assemble, install, or operate the fixture. Contact customer service for replacement parts.

### ⚠ Warnings and Cautions

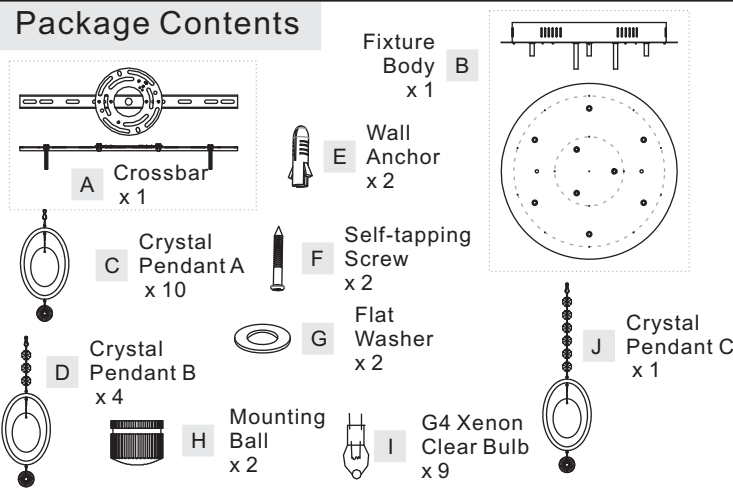
Turn off electricity at circuit breaker or main fuse box before installation. Consult a licensed electrician if in doubt.

These instructions are provided for your safety. It is very important you read them completely before installing the fixture. We strongly recommend that a licensed, professional electrician perform the installation.

Disconnect fixture from power source before replacing bulbs. Make sure bulbs are given sufficient time to cool before removal. Do not subject glass parts to any shock while in operation or shattering may result.

Do not touch the bulb with bare hands use a cloth or glove.

### Package Contents



### STEP 1 - Attach Inner Backplate to Outlet Box

- Place the Crossbar (A) onto the Ceiling surface and line up one set of holes onto mounting holes on Outlet Box. Using a pencil, mark the locations for Wall Anchors (E).
- Remove the Crossbar (A) and drill holes from the marks and then push the Wall Anchors (E) into the holes.
- Position the Crossbar (A) back onto the Ceiling. Thread the Outlet Box Screws (not supplied) into the mounting holes on the Outlet Box to secure it. Hand tighten until snug.
- Pass the Washers (G) over the Self-tapping screws (F) and then thread the self-tapping screws (F) into the Wall Anchors (E). Hand tighten until snug.

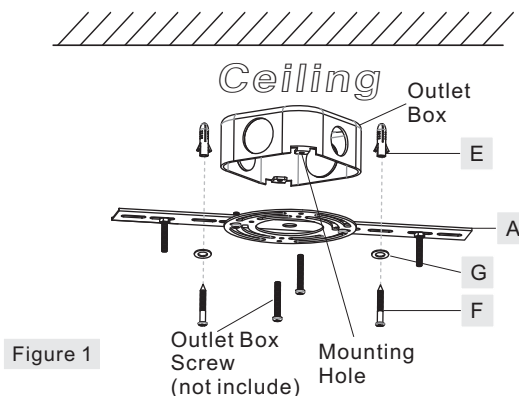


Figure 1

### STEP 2 - Wire Connections

- Use standard wire connectors (not included) to make all wire connections. (Connectors are not included with fixture.) Twist connectors until wires are tightly joined together. Wrap each connection with approved electrical tape and carefully stuff all the connected wires into the Outlet Box.

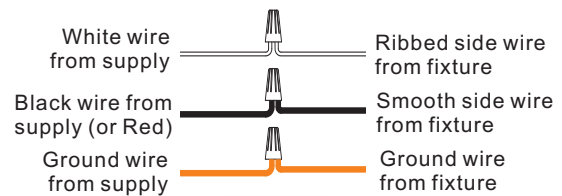


Figure 2

### STEP 3 - Attach Ceiling Canopy to Mounting Screw

- Remove Protective Film from Ceiling Canopy. Place the Ceiling Canopy on the Fixture Body (B) over the Mounting Screws and secure with Mounting Balls (H). Hand tighten until snug.

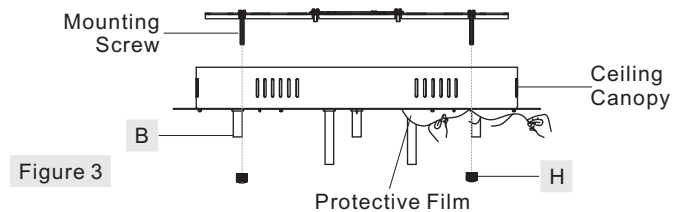


Figure 3

### STEP 4 - Install Bulb

- This fixture uses G4 Xenon Clear Bulbs (I). Maximum 20 watts.
- Insert bulb and seat properly into place.

**IMPORTANT:** Do not touch the bulb with bare hands use a cloth or glove.

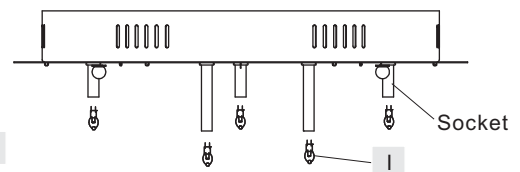


Figure 4

Thank you for purchasing a Quoizel product.  
Need assistance with parts or assembly? Call Quoizel customer service at 1-631-273-2700  
or visit us on-line at [www.quoise.com](http://www.quoise.com)

**STEP 5 – Install Crystal to Fixture**

A. Attach Crystal Pendant A (C) to the hole on the ring “A” on the ceiling Canopy. Attach Crystal Pendant B (D) to the other ring “B” on the Ceiling Canopy. Attach Crystal Pendant C (J) to the center ring of Ceiling Canopy.

Your fixture is now assembled and ready to use. Enjoy!

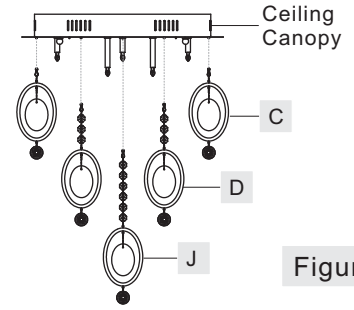
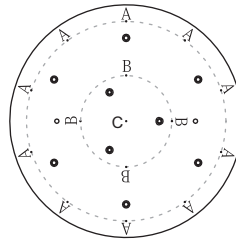


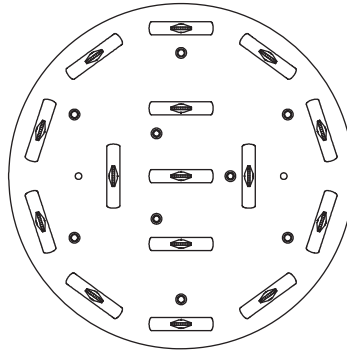
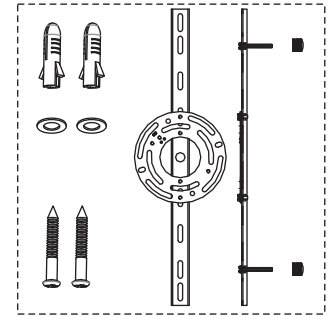
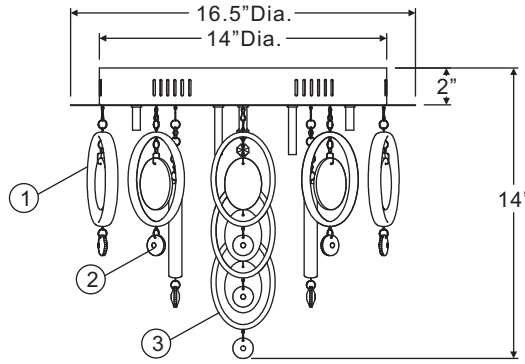
Figure 5

**CAUTION FOR BULB REPLACING**

- A. When replace bulb, turn off power and allow lamp to cool. For safety purpose, wear gloves and eye protection.
- B. If bulb is scratched or cracked, DO NOT use the lamp to avoid breakage during use or installation.
- C. Use only in fixtures rated for lamps wattage and voltage.
- D. Lamp operate under high pressure generating intense heat. Prevent contact with liquid and combustible materials.

PCEL1616C

FINISH: POLISHED CHROME



4

(9)20W Maximum  
G4 Xenon Clear  
Bulbs (Supplied)

NOTE: ALL DIMENSIONS ARE ROUNDED UP TO THE NEAREST 1/2"

NO.	PART NUMBER	REPLACEMENT PART DESCRIPTION	REQ.
1	G3944CR	CRYSTAL PENDANT "A"	10
2	G3945CR	CRYSTAL PENDANT "B"	4
3	G3946CR	CRYSTAL PENDANT "C"	1
4	I1201SC	G4 XENON CLEAR BULB	9

Thank you for purchasing a Quoizel product.  
Need assistance with parts or assembly? Call Quoizel customer service at 1-631-273-2700  
or visit us on-line at [www.quoizel.com](http://www.quoizel.com)