

Please go to [www.quoizel.com](http://www.quoizel.com) for product cleaning tips. Go to the **Care + Maintenance** selection.

**Tools Required:** Flathead screwdriver, Phillips screwdriver, pliers, wire cutters, wire strippers, electrical tape, safety glasses.

**Light Source:** (3) Medium Base Bulb 100W Maximum. Alternate Bulb (3) 23W CFL.

**Estimated Assembly Time:** 20-30 minutes

**Preparation:** Identify and inspect all parts before beginning installation. Check package content list and diagrams below to be sure all parts are present. If any parts are missing or damaged, do not attempt to assemble, install, or operate the fixture. Contact customer service for replacement parts.

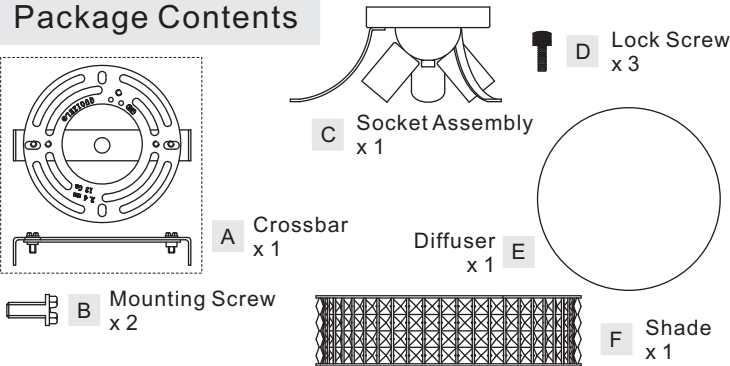
**⚠ Warnings and Cautions**

Turn off electricity at circuit breaker or main fuse box before installation. Consult a licensed electrician if in doubt.

These instructions are provided for your safety. It is very important you read them completely before installing the fixture. We strongly recommend that a licensed, professional electrician perform the installation.

Disconnect fixture from power source before replacing bulbs. Make sure bulbs are given sufficient time to cool before removal. Do not subject glass parts to any shock while in operation or shattering may result.

**Package Contents**



**(Step 3 Continued)**

each connection with approved electrical tape and carefully stuff all the connected wires into the Outlet Box.

**STEP 4 - Install Fixture to Ceiling**

A. Place ceiling canopy on the Socket Assembly (A). Line up Holes on the side of ceiling canopy and the Mounting Hole on the Crossbar Assembly (A). Secure by threading Mounting Screws (B) into the Crossbar Assembly (A). Tighten until snug.

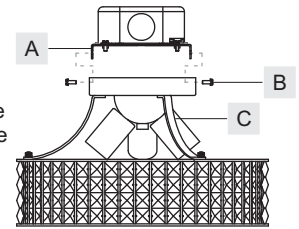


Figure 4

**STEP 1 - Assemble Diffuser, Shade**

A. Place the Diffuser (E) into the bottom of the Shade (F).  
B. Attach Side Arms on the Socket Assembly (C) to tabs on the top edge of the Shade (F). Secure them together with Lock Screws (D). Hand tighten until snug.

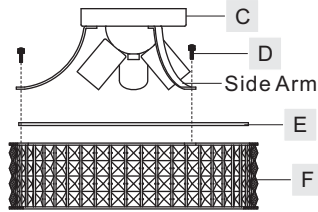


Figure 1

**STEP 5 - Install Bulbs**

A. This fixture uses standard bulb with medium base. Maximum 100 watts. Insert bulb and screw snugly into place.

Your fixture is now assembled and ready to use. Enjoy!

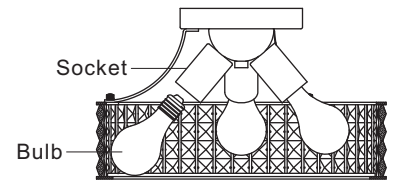


Figure 5

**STEP 2 - Attach Crossbar to Outlet Box**

A. Attach the Crossbar (A) to Outlet Box and secure by threading Outlet Box Screws (not supplied) into the Mounting Holes on the Outlet Box. Tighten until snug.

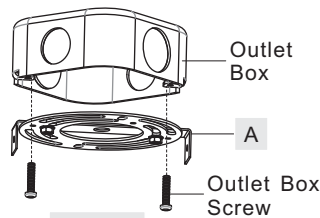


Figure 2

**STEP 3 - Wire Connections**

A. Use standard wire connectors (not included) to make all wire connections. (Connectors are not included with fixture.) Twist connectors until wires are tightly joined together. Wrap

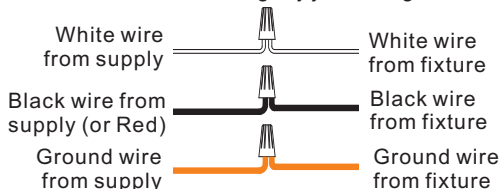
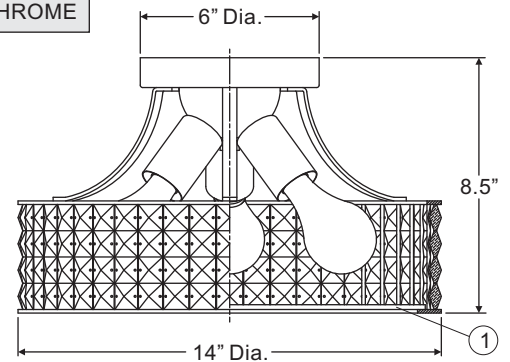
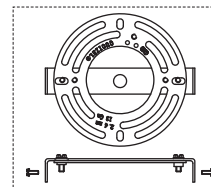
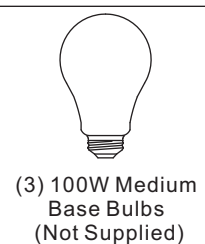


Figure 3

PCAX1714C  
FINISH: POLISHED CHROME



NOTE: ALL DIMENSIONS ARE ROUNDED UP TO THE NEAREST 1/4"



(3) 100W Medium Base Bulbs (Not Supplied)

NO.	PART NUMBER	REPLACEMENT PART	REQ.
1	G1225DI	DIFFUSER	1

**Thank you for purchasing a Quoizel product.**  
Need assistance with parts or assembly? Call Quoizel customer service at 1-631-273-2700 or visit us on-line at [www.quoizel.com](http://www.quoizel.com)