

Assembly Instruction Sheet #IS-MCLG1616RC For Style MCLG1616RC

Quoizel, Inc.
 6 Corporate Parkway
 Goose Creek, SC
 29445

Customer Service
 Phone 631.273.2700
 Fax 631.231.7102
 www.quoizel.com

Tools Required: Flathead screwdriver, Phillips screwdriver, pliers, wire cutters, wire strippers, electrical tape, safety glasses.

Bulb Recommended: (3) Medium Base 60W Maximum

Estimated Assembly Time: 30-45 minutes

Preparation: Identify and inspect all parts before beginning installation. Check package content list and diagrams below to be sure all parts are present. If any parts are missing or damaged, do not attempt to assemble, install, or operate the fixture. Contact customer service for replacement parts.

Warnings and Cautions

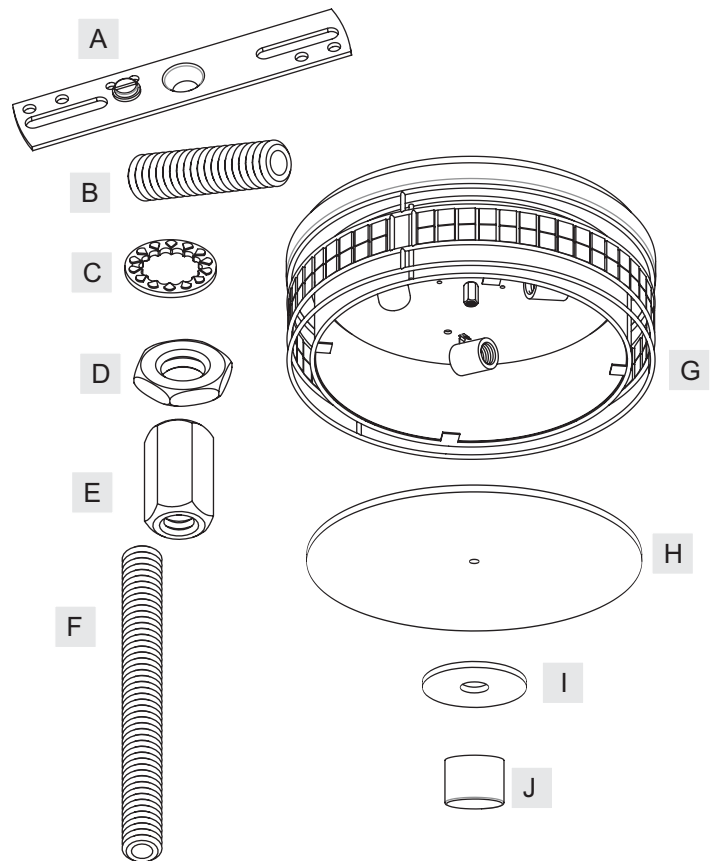
Turn off electricity at circuit breaker or main fuse box before installation. Consult a licensed electrician if in doubt.

These instructions are provided for your safety. It is very important you read them completely before installing the fixture. We strongly recommend that a licensed, professional electrician perform the installation.

Disconnect fixture from power source before replacing bulbs. Make sure bulbs are given sufficient time to cool before removal. Do not subject glass parts to any shock while in operation or shattering may result.

Package Contents

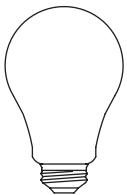
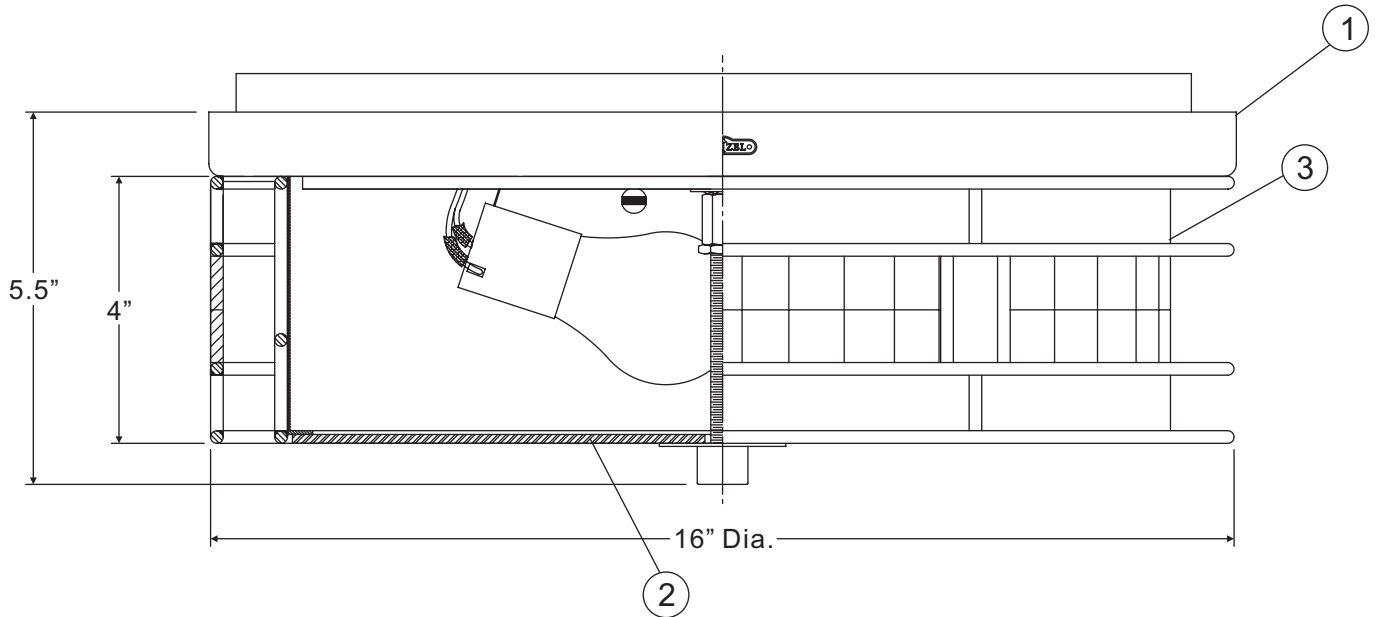
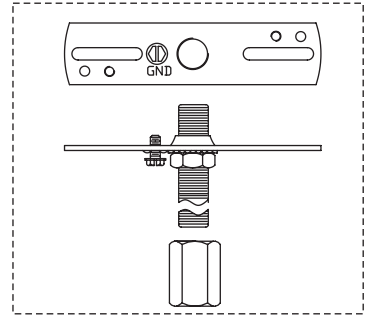
Part	Description	Quantity
A	Crossbar	1 pc.
B	Nipple	1 pc.
C	Lock Washer	1 pc.
D	Hex Nut	2 pcs.
E	Hex Coupling	1 pc.
F	Loog Nipple	1 pc.
G	Shade Assembly	1 pc.
H	Diffuser	1 pc.
I	Flat Washer	1 pc.
J	Finial	1 pc.



Thank you for purchasing a Quoizel product.
Need assistance with parts or assembly? Call Quoizel customer service at 1-631-273-2700
or visit us on-line at www.quoizel.com

MCLG1616RC

FINISH: RENAISSANCE COPPER



(3)60W Medium Base Bulbs (Not Supplied)

NOTE: ALL DIMENSIONS ARE ROUNDED UP TO THE NEAREST 1/2"

NO.	PART NUMBER	REPLACEMENT PART DESCRIPTION	REQ.
1	11616RCMCLG	BASE MCLG1616RC	1
2	G3291DI	DIFFUSER 13.5"D	1
3	S1370MC	SHADE MICA 16"D X 4.5"H	1
4			

Assembly Instruction Sheet #IS-MCLG1616RC For Style MCLG1616RC

STEP 1 – Attach Crossbar to Outlet Box

- A. Secure the Corssbar (A) to the outlet box with outlet box screws (not supplied). Tighten until snug.

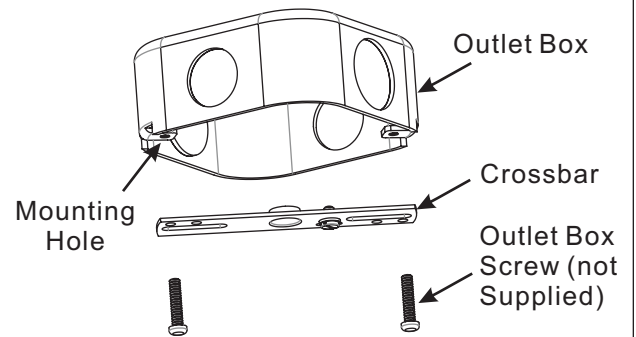


Figure 1

STEP 2 – Attach Nipple to Crossbar

- A. Thread one Hex Nut (D) onto the top end of the Nipple (B).
B. Place one Lock Washer (C) over the top end of the Nipple (B) and then thread the Nipple (B) into the center lock hole of the Crossbar (A).
C. Using pliers, thread the Hex Nut (D) against the Crossbar (A) and hand tighten until snug.

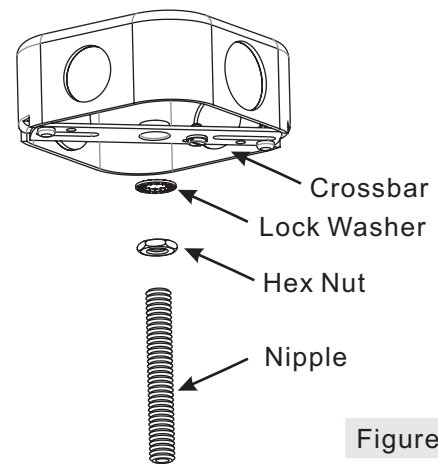


Figure 2

Thank you for purchasing a Quozel product.
Need assistance with parts or assembly? Call Quozel customer service at 1-631-273-2700
or visit us on-line at www. quozel. com

STEP 3 – Make Wire Connections

- A. Use standard wire connectors to make all wire connections. (Connectors are not included with fixture.) Strip and prepare wire ends according to instructions supplied with connectors.
- B. Connect White Supply Wire from the Outlet Box to White Wire from fixture.
- C. Connect Black (or Red) Supply Wire from the Outlet Box to Black Wire from fixture.
- D. Connect Ground Wire from the Outlet Box to Ground Wire from fixture.
- E. Twist connectors until wires are tightly joined together.
- F. Wrap each connection with approved electrical tape and carefully stuff all the connected wires into the Outlet Box.

Figure 3

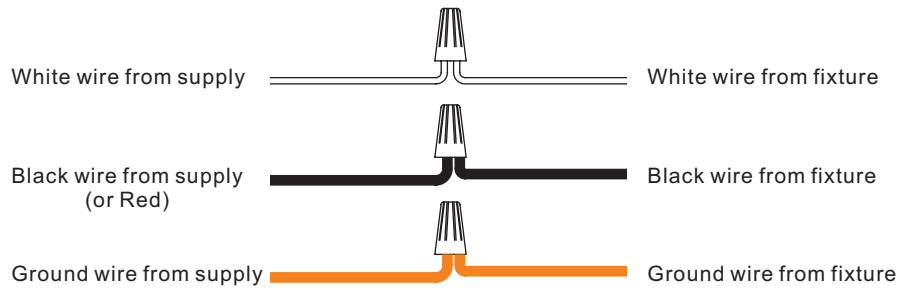
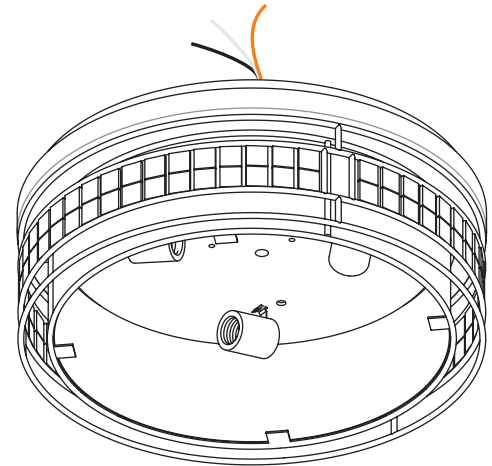
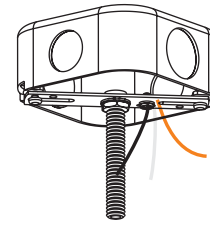


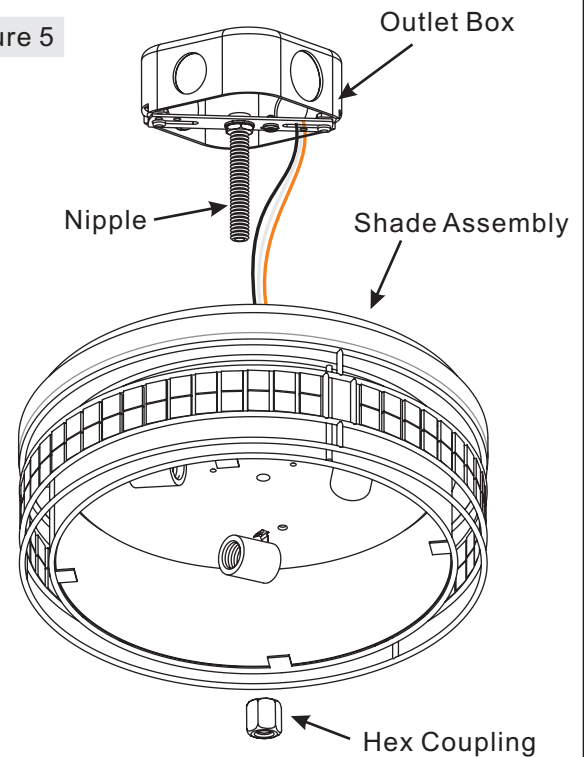
Figure 4

Thank you for purchasing a Quoizel product.
Need assistance with parts or assembly? Call Quoizel customer service at 1-631-273-2700
or visit us on-line at www.quoizel.com

STEP 4 – Attach Ceiling Canopy to Outlet Box

- A. Place the Shade Assembly (G) over the Nipple (B) as shown. Secure by threading the Hex Coupling (E) onto the Nipple (B). Hand tighten until snug.

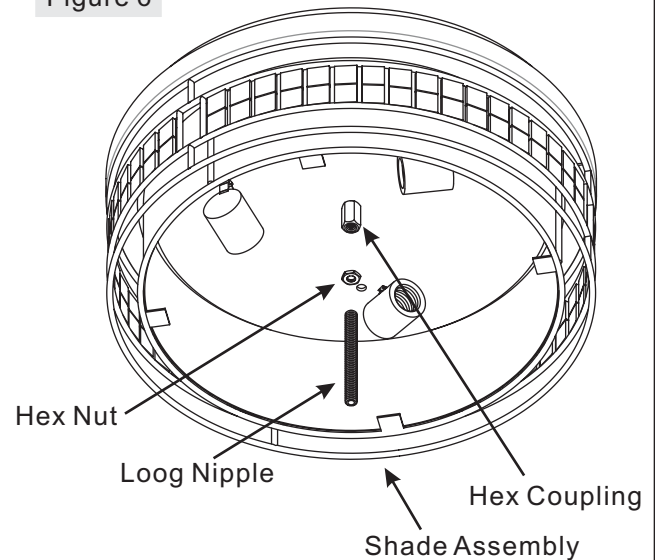
Figure 5



STEP 5 – Assemble Nipple

- A. Thread the Hex Nut (D) onto the Loog Nipple (F). Then screw the Hex Nut end of the Nipple into the Hex Coupling in the center of the Shade Assembly (G). By using pliers, thread the Hex Nut (D) against the Hex Coupling and hand tighten until snug.

Figure 6



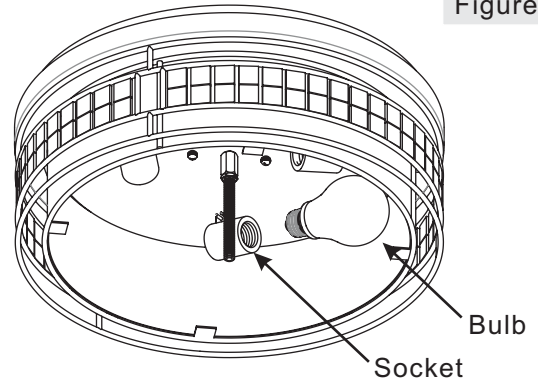
Thank you for purchasing a Quozel product.

Need assistance with parts or assembly? Call Quozel customer service at 1-631-273-2700
or visit us on-line at www. quozel. com

STEP 6 – Install Bulb

- A. This fixture uses standard bulb with a medium screw base. Maximum 60 watts.
- B. Insert bulb and screw properly into place.

Figure 7

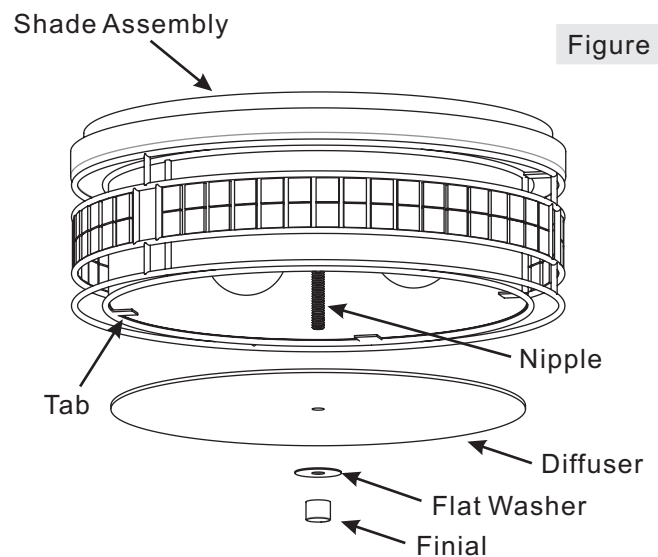


STEP 7 – Assemble Diffuser

- A. Place the Diffuser (H) over the end of the Loog Nipple (F), attach to the Tabs on the bottom edge of the Shade Assembly (G). Locate the Flat Washer (I) over the end of the Nipple (F) and secure with the Finial (J). Hand tighten until snug.

Your fixture is now assembled and ready to use. Enjoy!

Figure 8



Thank you for purchasing a Quozel product.

Need assistance with parts or assembly? Call Quozel customer service at 1-631-273-2700
or visit us on-line at www. quozel. com