

Please go to www.quoizel.com for product cleaning tips. Go to the **Care + Maintenance** selection.

Tools Required: Flathead screwdriver, Phillips screwdriver, pliers, wire cutters, wire strippers, electrical tape, safety glasses.

Light Source: Integrated 35W LED

Estimated Assembly Time: 45-60 minutes

Preparation: Identify and inspect all parts before beginning installation. Check package content list and diagrams below to be sure all parts are present. If any parts are missing or damaged, do not attempt to assemble, install, or operate the fixture. Contact customer service for replacement parts.

⚠ Warnings and Cautions

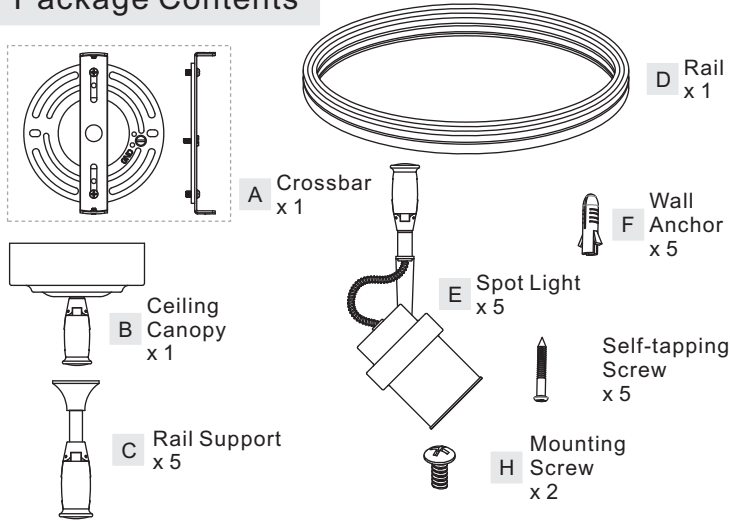
Turn off electricity at circuit breaker or main fuse box before installation. Consult a licensed electrician if in doubt.

These instructions are provided for your safety. It is very important you read them completely before installing the fixture. We strongly recommend that a licensed, professional electrician perform the installation.

Disconnect fixture from power source before replacing bulbs. Make sure bulbs are given sufficient time to cool before removal. Do not subject glass parts to any shock while in operation or shattering may result.

CAUTION: To reduce the risk of fire, electrical shock, or personal injury, do not touch or remove the spot light on the rail when the light is on. Instead, turn off the electrical power. Unscrew the caps and to remove the spot light from the rail. Then reinstall them back onto the desired positions of the rail.

Package Contents



STEP 1 – Attach Crossbar to Outlet Box

A. Attach the Crossbar (A) to Outlet Box and secure by threading Outlet Box Screws (not supplied) into the Mounting Holes on the Outlet Box. Tighten until snug.

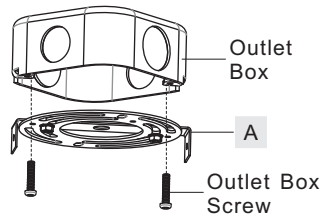


Figure 1

STEP 2 - Wire Connections

A. Use standard wire connectors (not included) to make all wire connections. (Connectors are not included with fixture.) Twist connectors until wires are tightly joined together. Wrap each connection with approved electrical tape and carefully stuff all the connected wires into the Outlet Box.

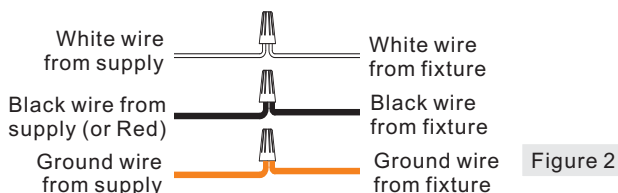


Figure 2

STEP 3 – Attach Ceiling Canopy to Crossbar

A. Line up the holes on the side of the Ceiling Canopy (B) to the mounting holes on the Crossbar (A). Secure them with Mounting Screws (H). Tighten until snug.

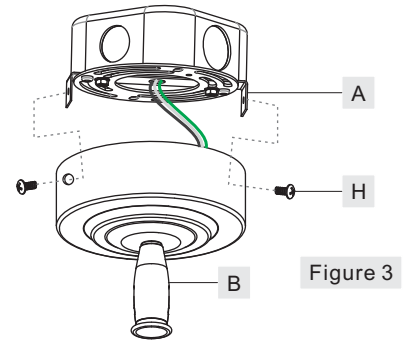


Figure 3

STEP 4 – Determine Support Position

A. Mark two desired positions and drill them on the ceiling for two Rail Supports (C) on the side of the Ceiling Canopy (B).
NOTE: Center the Ceiling Canopy (B) between two Rail Supports (C) and The distance between each Rail Support (C) and the canopy is 14 ~ 18 inches (See Fig 2-a). So the remainder length of the rail could be bent to a wonderful arc.

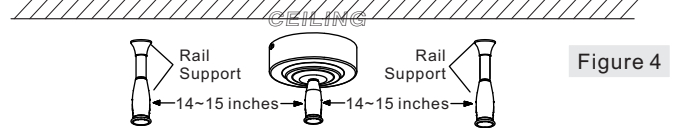


Figure 4

STEP 5 – Rail support Installation

A. Depart the Rail Supports (C) as shown.
B. Insert Wall Anchors (F) into the holes on the Ceiling. Pass Support Base over Self-tapping Screws (G) and thread Self-tapping Screws (G) into Wall Anchors (F). Hand tighten until snug.
C. Threading the Pipe of Rail Supports into the Support Bases, Tighten until snug.

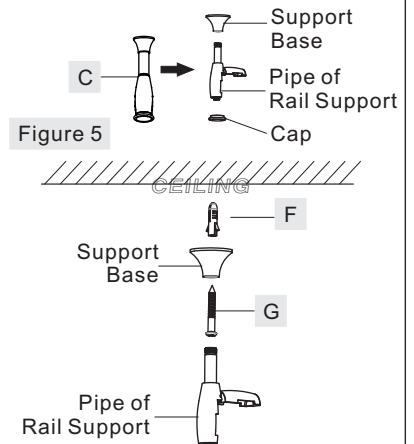


Figure 6

Thank you for purchasing a Quoizel product.
Need assistance with parts or assembly? Call Quoizel customer service at 1-631-273-2700
or visit us on-line at www.quoizel.com

STEP 6 – Instal Rail to Rail Support

- Carefully take out the Rail (D) from the package and unfold it. There has an Indented Groove and Brass Strip in the side of the Rail (D).
 - Turn the Moveable Part of the Rail Support body up. Attach the Rail (D), while making certain the indented groove are facing toward the bump, securely into the Rail Support.
- NOTE: The Shallow V-pit on the Rail is always facing to the ceiling.**
- Close back the moveable part of Rail Support (C) over the rail, then restore the Caps back to the Rail Support (C).

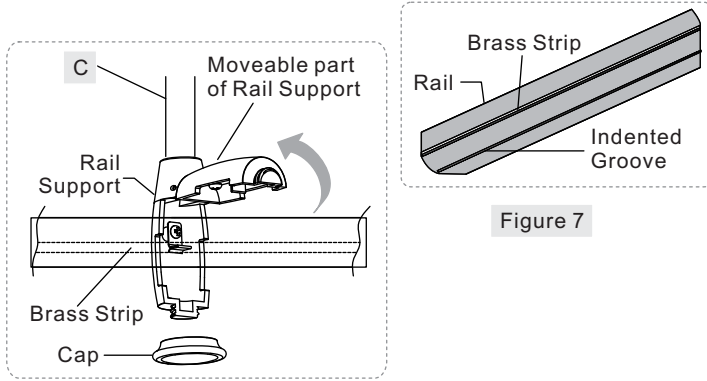


Figure 7

Figure 8

STEP 7 – Instal Rail to Ceiling Canopy

- Unscrew the Caps from the Rail Adapter, and then turn the Moveable Part of the Rail Adapter body up.
 - Attach the Rail (D) onto the slot of the pre-tightened Rail Adapter.
- Note: If the Adapter is not able to close around the Rail, turn Rail around so Adapter fits properly.**
- Close back the Moveable Part of Rail Adapter body over the Rail (D), then restore the caps back to the rail adapter. Make certain that the Brass Clips of the adapter are connected properly with the Brass Strips of the Rail (D).
- CAUTION: To ensure the fixture works correctly, make sure the connection between the Adapter and the Rail is correct.**
- Shape the Rail (D) as your desired. Then mark and drill the desired positions on the ceiling for the rest of the Rail Supports (C).

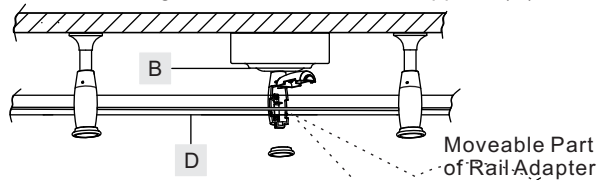


Figure 9

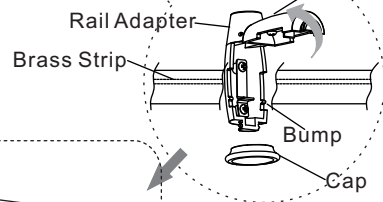


Figure 10

STEP 7 continued

Repeat the steps of Rail Supports Installations to locate the rest Rail Supports. Then Follow steps STEP 6 of Rail Installation to install the Rail onto the other rail supports.

STEP 8 – Spot Light Installation

- Choose one spot light, unscrews the Caps from the Rail Adapter of Spot Light (E), then turn the Moveable Part of Rail Adapter body down.
 - Attach the Rail Adapter of the Spot Light (E) onto the Rail (D). Close back the Moveable Part of Rail Adapter body over the Rail (D), then restore the Caps back to the Rail Adapter. Make certain that the Brass Clips of the Adapter are connected properly with the Brass Strips of the Rail.
- CAUTION: To ensure the fixture works correctly, make sure the connection between the adapter and the rail is correct. The Shallow V-pit on the Rail is always facing to the ceiling.**
- Follow steps A~B to install the other spot lights onto the rail.
- Note: Adjust the spotlight head to a desired position by using the swivel.**

Your fixture is now assembled and ready to use. Enjoy!

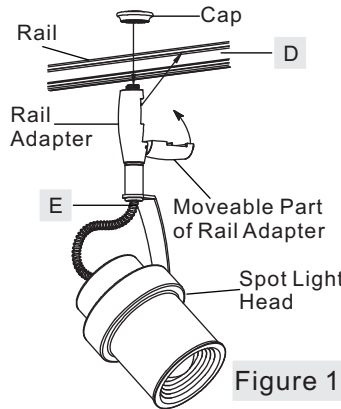


Figure 11

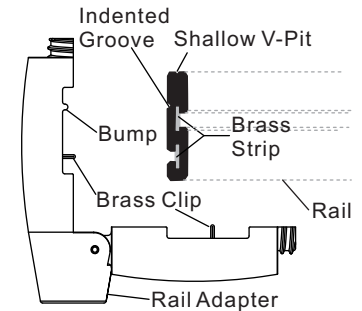
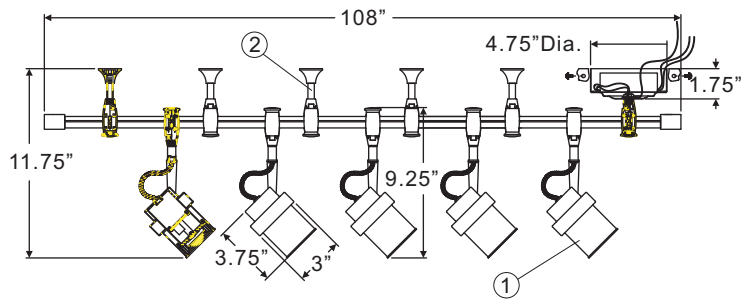
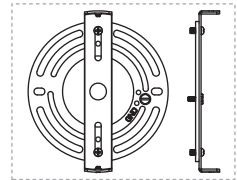


Figure 12

CMA1405WT/ CMA1405BN

FINISH: WESTERN BRONZE
BRUSHED NICKEL



NOTE: ALL DIMENSIONS ARE ROUNDED UP TO THE NEAREST 1/4"

NO.	PART NUMBER	REPLACEMENT PART	QTY.	ITEM NUMBER
1	G12764SH	HEAD	5	CMA1405BN
2	G12768DE	RAIL SUPPORT	5	
1	G12763SH	HEAD	5	CMA1405WT
2	G12767DE	RAIL SUPPORT	5	

Thank you for purchasing a Quoizel product.
Need assistance with parts or assembly? Call Quoizel customer service at 1-631-273-2700
or visit us on-line at www.quoise.com