

Please go to www.quoizel.com for product cleaning tips. Go to the **Care + Maintenance** selection.

Tools Required: Flathead screwdriver, Phillips screwdriver, pliers, wire cutters, wire strippers, electrical tape, safety glasses.

Light Source: (4) A19 Medium Base 100W Maximum. Alternate Bulbs (4) 23W CFL.

Estimated Assembly Time: 30-45 minutes

Preparation: Identify and inspect all parts before beginning installation. Check package content list and diagrams below to be sure all parts are present. If any parts are missing or damaged, do not attempt to assemble, install, or operate the fixture. Contact customer service for replacement parts.

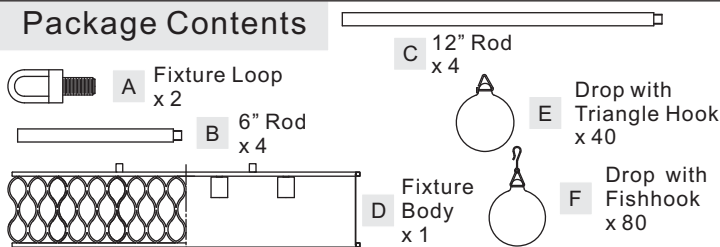
⚠ Warnings and Cautions

Turn off electricity at circuit breaker or main fuse box before installation. Consult a licensed electrician if in doubt.

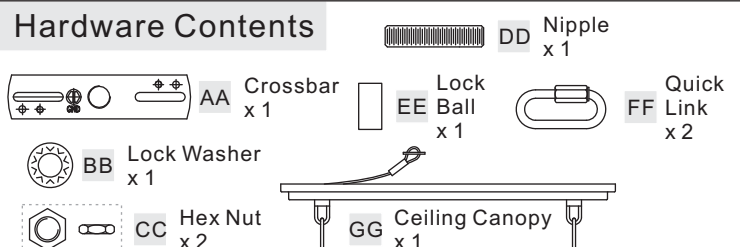
These instructions are provided for your safety. It is very important you read them completely before installing the fixture. We strongly recommend that a licensed, professional electrician perform the installation.

Disconnect fixture from power source before replacing bulbs. Make sure bulbs are given sufficient time to cool before removal. Do not subject glass parts to any shock while in operation or shattering may result.

Package Contents



Hardware Contents



STEP 1 – Attach Drops onto Fixture Loop

- Attach Drop with Triangle Hook (E) to holes on first layer on the Fixture Body (D) properly.
- Attach Drop with Fishhook (F) to holes on other Layers on the Fixture Body (D) properly.

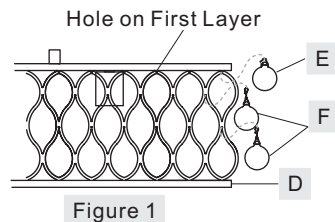


Figure 1

STEP 2 – Assemble the Rods and the Fixture Loop

- Determine the Rods (B/C) to be assembled to the Fixture Body (D) according to your hanging height.
- Pass the supply wires and ground wire through the chosen rods (B/C) and the Fixture Loop (A). Thread the Fixture Body (D), the chosen Rods (B/C) and the Fixture Loop (A) together. Hand tighten until snug. Suggested rods for Ceiling height :
8' ceiling: use (1) 6" rod and (1) 12" rod
9' ceiling: use (1) 6" rod and (2) 12" rods
10' ceiling: use (2) 6" rods and (2) 12" rods

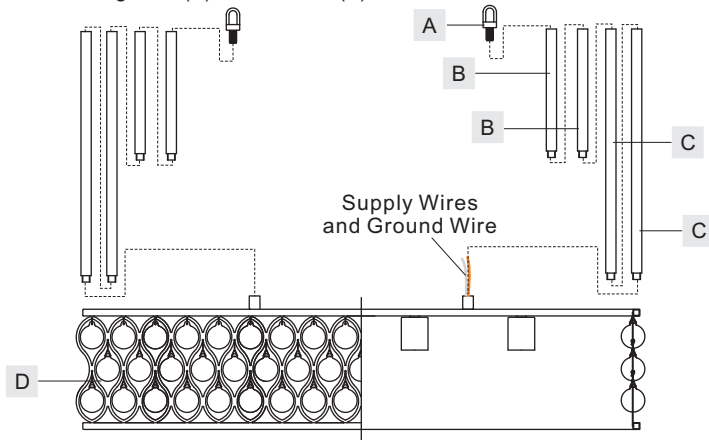


Figure 2

STEP 3 – Install Crossbar

- Attach the Crossbar (AA) to the Outlet Box with the head of the Green Ground Screw facing you. Secure it with Outlet Box Screws (not included). Tighten until snug.

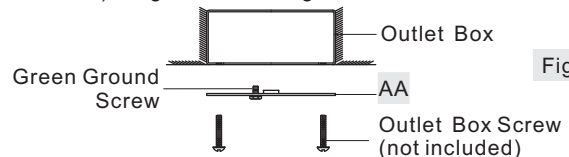


Figure 3

STEP 4 – Install Nipple to Crossbar

- * Pliers is required for this step.
- Thread one Hex Nut (CC) to the middle of the Nipple (DD). Place the Lock Washer (BB) over the Nipple (DD) and then thread the Nipple (DD) into the Crossbar (AA) until the Nipple (DD) is about 0.375" above the Crossbar (AA).
 - Place the Ceiling Canopy (GG) over the Nipple (DD) against the ceiling to determine the correct position of the Nipple (DD). Thread the Lock Ball (EE) onto the Nipple (DD). Adjust the Nipple (DD) to allow the Ceiling Canopy (GG) to rest against the ceiling when held in place by the Lock Ball (EE).
 - Remove the Ceiling Canopy (GG) and then tighten the Hex Nut (CC) against the Crossbar (AA) to secure in place.
 - Thread another Hex Nut (CC) onto the end of the Nipple (DD). Thread this Hex Nut (CC) on just enough so the inside surface of the Ceiling Canopy (GG) rests against it. * You may have to trial fit the Ceiling Canopy (GG) one more times to insure this distance also. This Hex Nut (CC) is needed here to prevent you from crushing down the center of the Ceiling Canopy (GG).

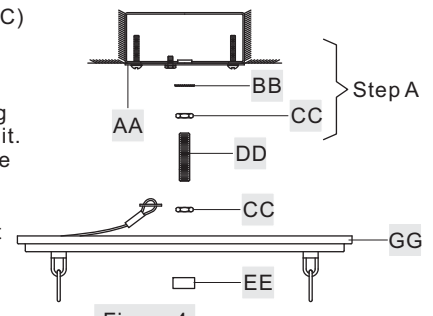


Figure 4

Thank you for purchasing a Quoizel product.
Need assistance with parts or assembly? Call Quoizel customer service at 1-631-273-2700
or visit us on-line at www.quoizel.com

STEP 5 - Connect Fixture Loops to Ceiling Canopy

A. Pass Supply Wires and Ground Wire through the Quick Link (FF) and the Ceiling Canopy (GG). Connect the Fixture Loops (A) to ceiling loops underside of the Ceiling Canopy (GG) by using Quick Links (FF).

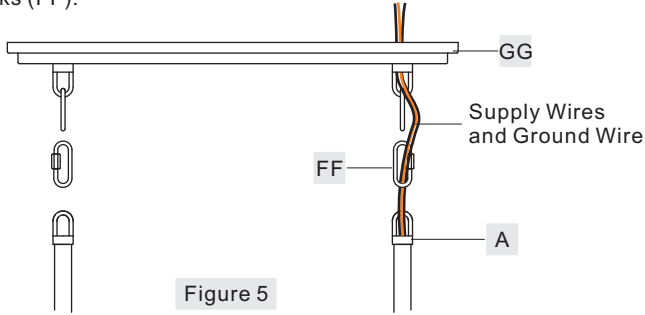


Figure 5

STEP 6 - Attach Lanyard

A. The purpose of the lanyard is to provide the installer a means to support the fixture from the junction box while connecting the electrical wires. This enables the fixture to hang from the junction box and your hands are free to make the wire connections.
 B. Turn the Button Stop so it may be inserted into the Crossbar slot. Make sure the Button Stop is completely inside the Crossbar. Slowly release the fixture to make sure it is supported by the Button Stop. Proceed to the wiring steps in the next step. Once you are complete with the wiring there is nothing to do with Lanyard. The Lanyard will push into the junction box when the fixture is placed for final mounting.

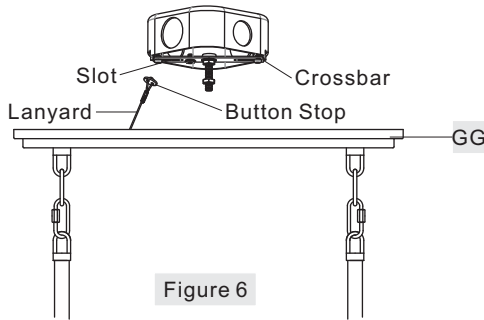


Figure 6

STEP 7 - Wire Connections

A. Use standard wire connectors (not included) to make all wire connections. (Connectors are not included with fixture.) Twist connectors until wires are tightly joined together. Wrap each connection with approved electrical tape and carefully stuff all the connected wires into outlet box.

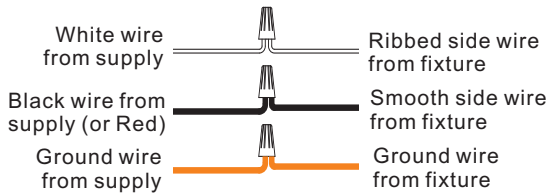


Figure 7

STEP 8 - Install Ceiling Canopy to Ceiling

A. Attach the Ceiling Canopy (GG) over the end of the Nipple (DD) and secure with the Lock Ball (EE). Hand tighten until snug.

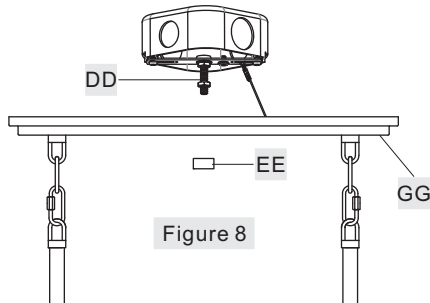


Figure 8

STEP 9 - Install Bulb

A. This fixture uses standard bulb with standard screw base. Maximum 100 watts. Insert bulb and screw snugly into place.

Your fixture is now assembled and ready to use. Enjoy!

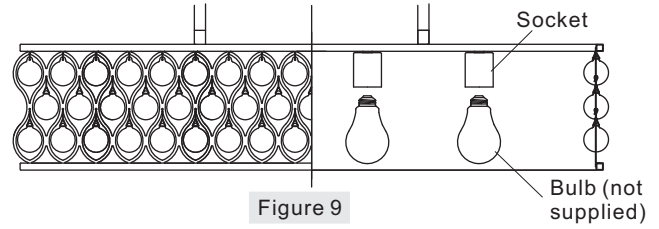
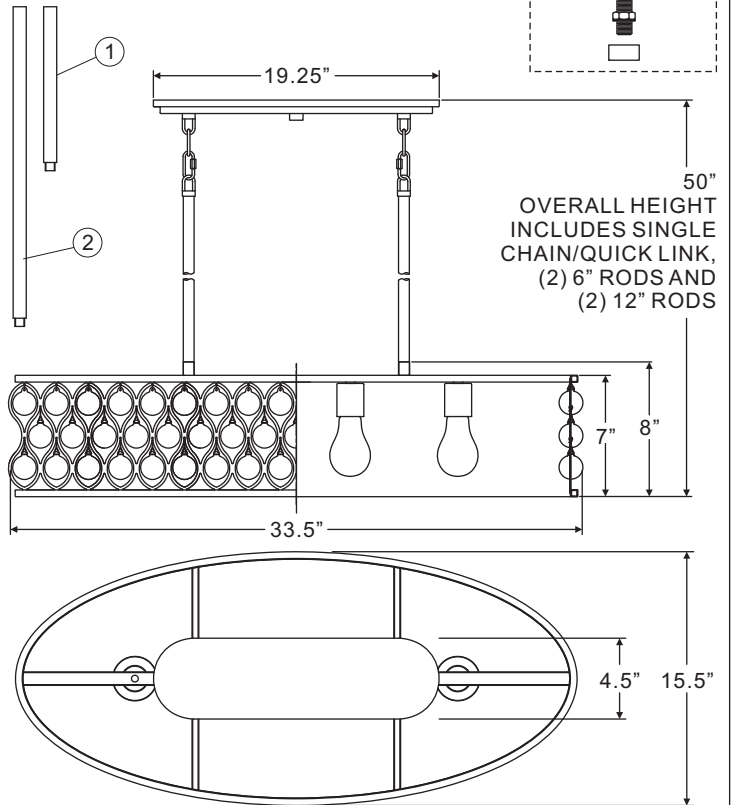
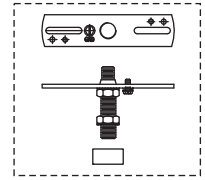


Figure 9

AX434PN
 FINISH: PALLADIAN BRONZE



(4) 100W Medium Base Bulbs (Not Supplied)

NOTE: ALL DIMENSIONS ARE ROUNDED UP TO THE NEAREST 1/4"

NO.	PART NUMBER	REPLACEMENT PART	REQ.
1	9007EXPN	6" ROD	4
2	9008EXPN	12" ROD	4

Thank you for purchasing a Quoizel product.
 Need assistance with parts or assembly? Call Quoizel customer service at 1-631-273-2700 or visit us on-line at www.quoizel.com