

CK043000TX

RISA COCKTAIL TABLE

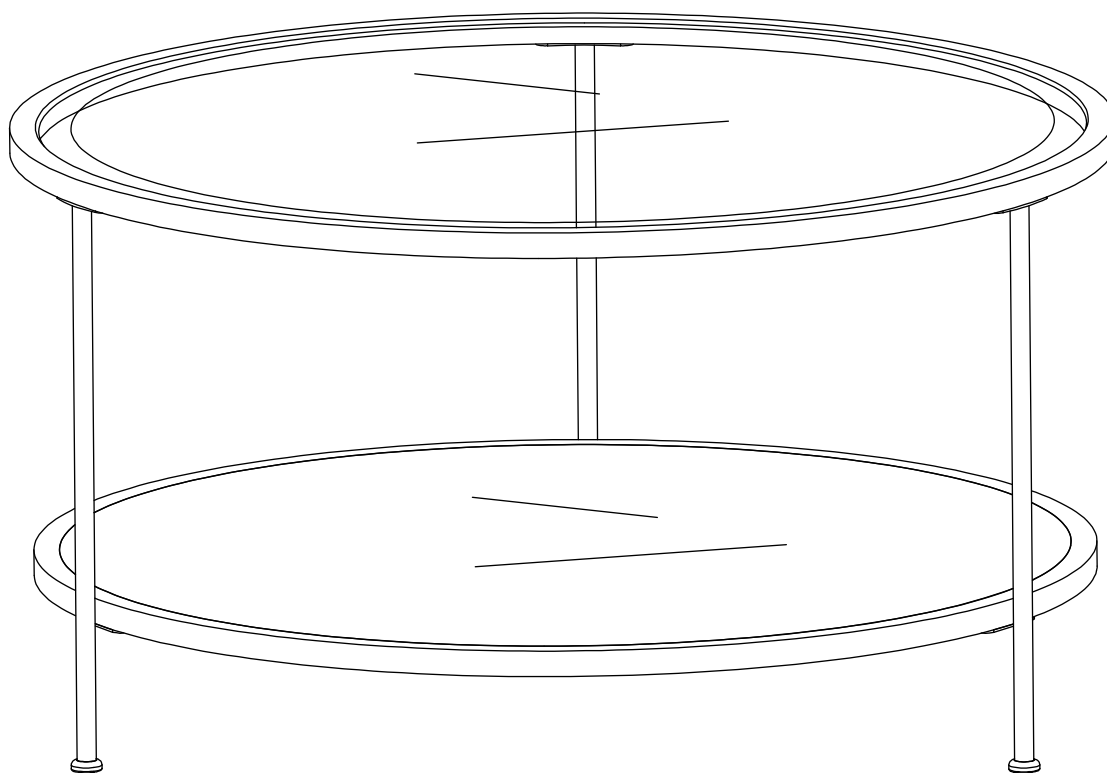
Assembly Instructions



Southern
ENTERPRISES

For assistance with assembly, contact.
Southern Enterprises Inc.
Customer Service 1-800-633-5096
service@seidal.com
www.seifurniturestore.com

PO:



CK043000TX

RISA COCKTAIL TABLE

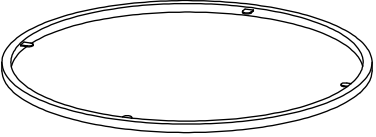
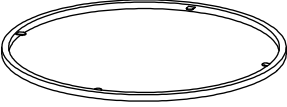
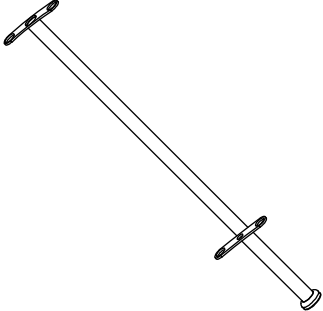
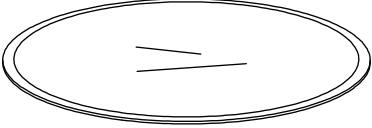

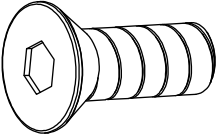
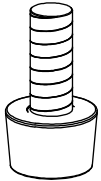

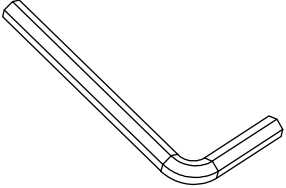
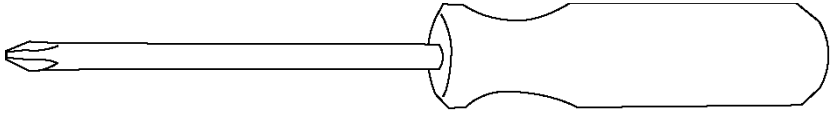
Parts List

Please review all parts and hardware before disposing of any packaging.

Call SEI customer service if missing any hardware.

Carefully study the diagrams below.

You may receive extra hardware with your unit.

1 1PC  Top Frame	2 1PC  Bottom Frame	3 3PCS  Legs	
4 1PC  Glass Top	5 1PC  Glass Shelf		
A 12PCS  Bolts 1/4"X1/2"	B 3PCS  Levelers	C 8PCS  Glass Pads	D 1PC  Wrench
Care and Cleaning Instructions: Before using, wipe with a clean, dry cloth. Avoid rubbing or scratching the surface with rough or abrasive objects.		For replacement parts or questions, please call SEI customer service at 1-800-633-5096.	
Assembly Tool Required: No.2 Phillips Screwdriver (not included)			

CK04300TX

RISA COCKTAIL TABLE

Assembly Instructions

Step 1:

Unit assembly should begin with parts turned upside down for Step 1.

Note: Do not tighten the bolts until all bolts are in place.

Attach Legs (3) to Top Frame (1) using Bolts (A).

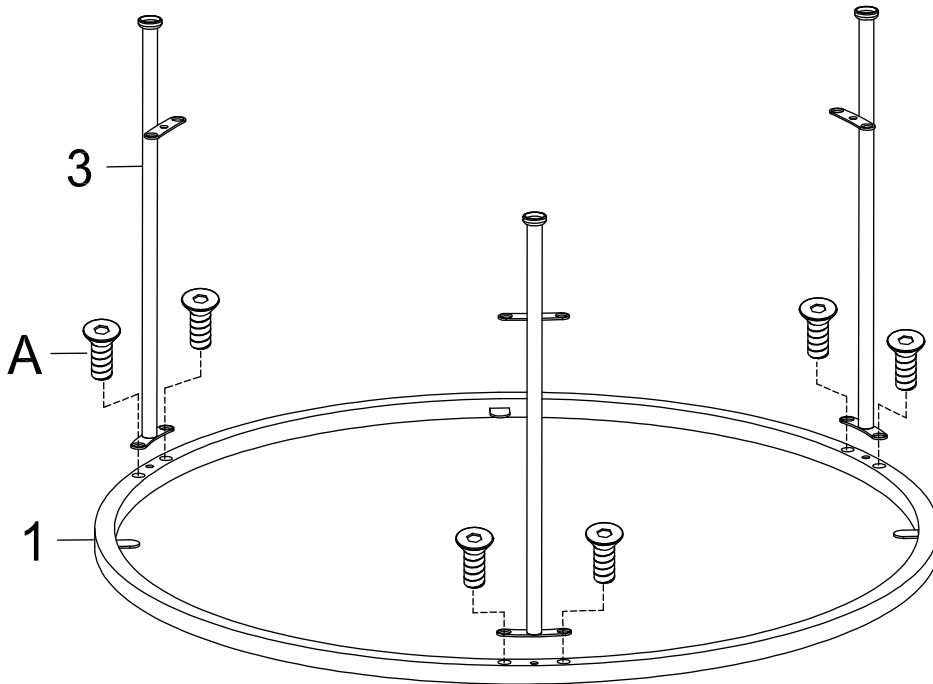


Figure 1

Step 2:

Attach Bottom Frame (2) to Leg (3) using Bolts (A).

Attach Levelers (B) to Legs (3).

Tighten all bolts with Allen Wrench (D).

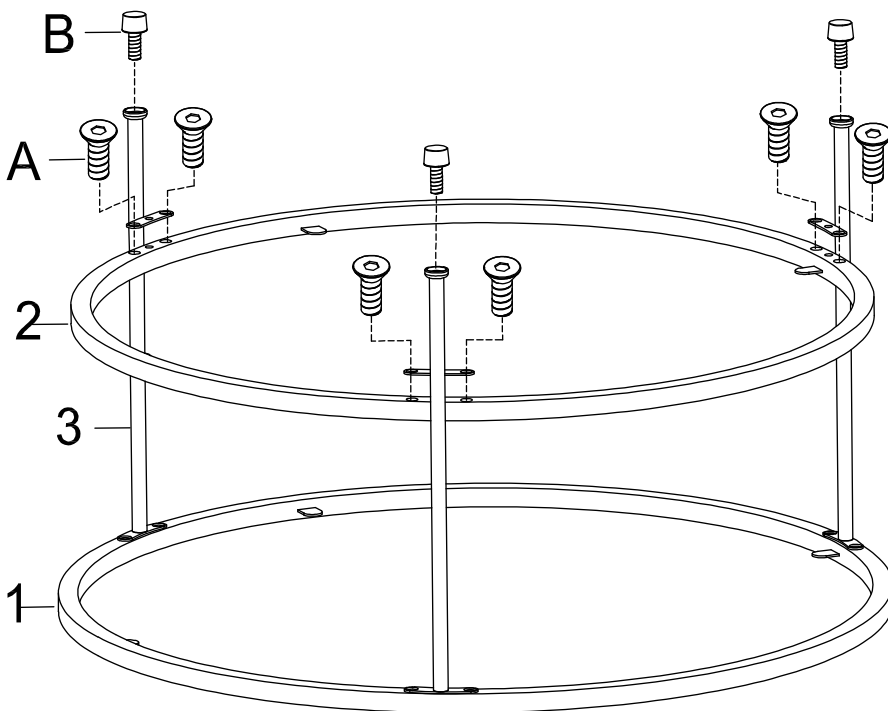
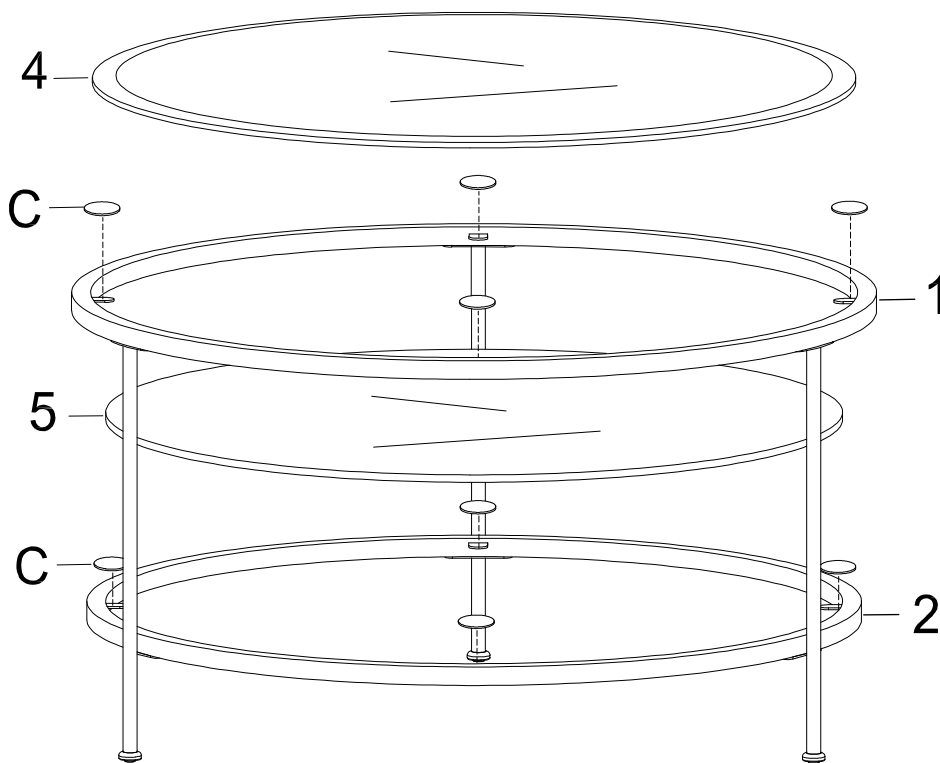


Figure 2

CK043000TX

RISA COCKTAIL TABLE

Assembly Instructions



Step 3 :

Turn the assembled parts upright.

Attach Glass Pads (**C**) to brackets of Top Frame (**1**) and Bottom Frame (**2**).

Place Glass Shelf (**5**) onto Bottom Frame (**2**), and then place Glass Top (**4**) onto Top Frame (**1**).

Now your Risa Cocktail Table is ready to use.

Figure 3

Parts Replacement Form

Customer Information

Name _____

Address _____

City/State/Zip Code _____

Phone Number _____

Please indicate where you purchased this item: Store/Website/Catalog

Please indicate color/size/style number:

Style No	Parts Letter	Parts Description	Quantity Needed
_____	_____	_____	_____
_____	_____	_____	_____
_____	_____	_____	_____

Please immediately examine this product carefully. Any request for missing parts or damage replacement must be received within 90 days of your receipt of the product. Replacement, if available, will be honored within this time frame. Parts will not be available for items arriving fully assembled. We do not recommend modifying product(s) and we are not responsible for any damages due to product modification(s). If damages or missing parts are not reported within 90 days of your receipt, we are under no obligation to provide parts or replacement merchandise.

Please contact Southern Enterprises at 800-633-5096 or in Dallas 972-869-0111/ 9am – 4pm Mon-Fri Central time if you have product issues or email us at service@seidal.com. Please ask for customer service representative for issues involving damages or replacement parts. Please ask for technical assistance representative for any issues with product and assembly/construction.

Please contact the retailer that you purchased from for returns.



Southern
ENTERPRISES

Customer Service 1-800-633-5096

service@seidal.com

Southern Enterprises, Inc.

600 Freeport Parkway, Suite 200

Coppell, Texas 75019