

CM234800TX

Harvey Mixed Tone Credenza

Assembly Instructions



Southern
ENTERPRISES

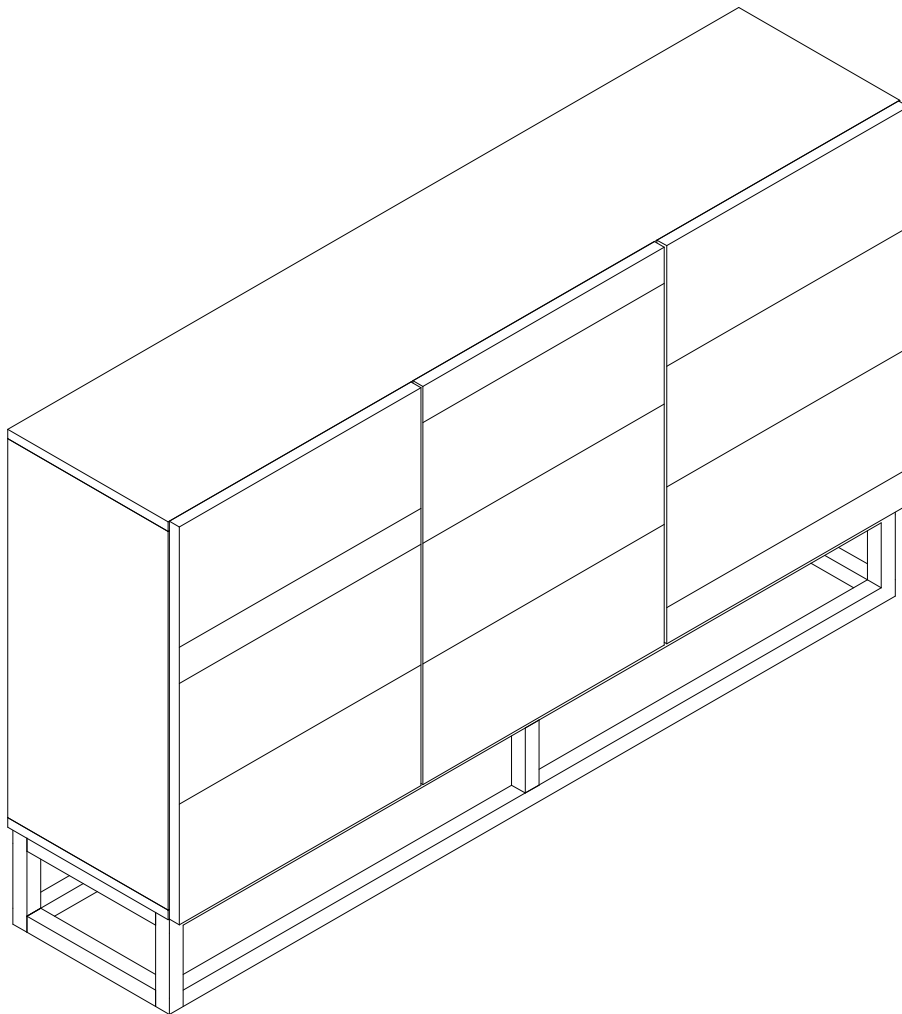
For assistance with assembly, contact:
Southern Enterprises Inc.

Customer Service 1-800-633-5096

service@seidal.com

www.seidal.com

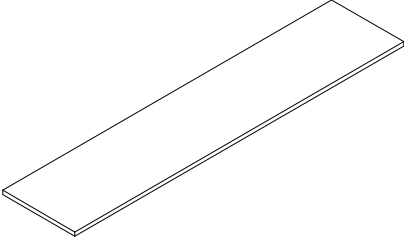
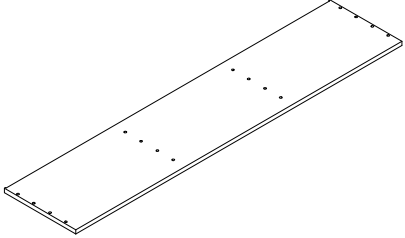

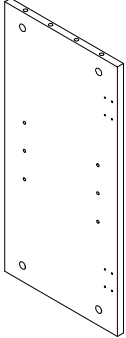
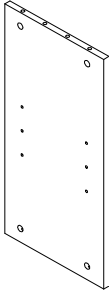
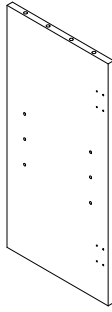
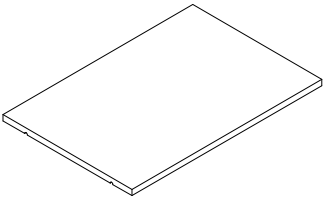
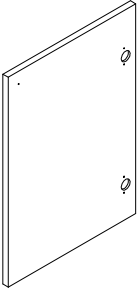
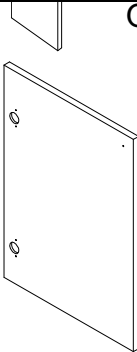
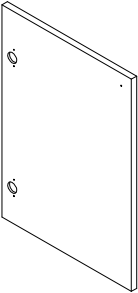
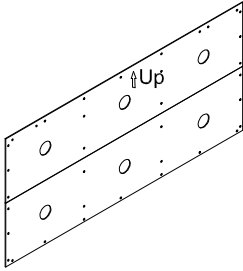
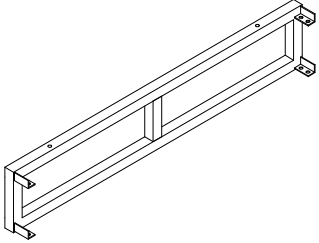
PO# :

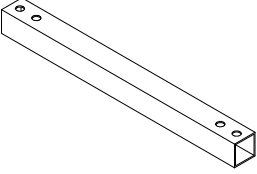
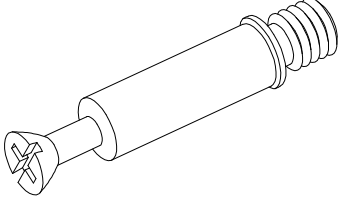
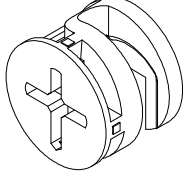
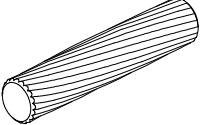
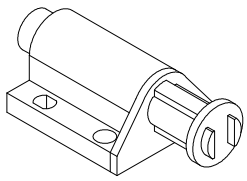
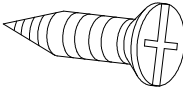
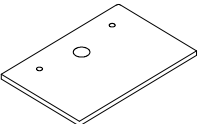
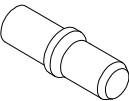
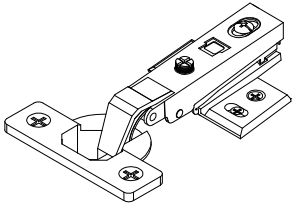
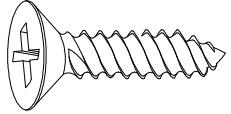
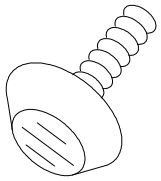
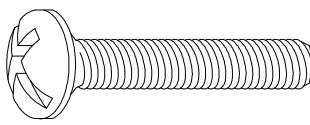
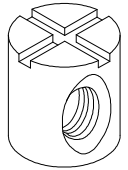


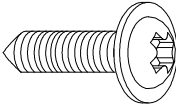
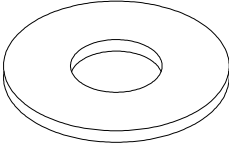
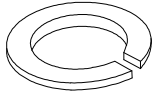
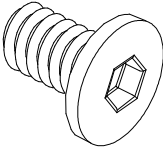
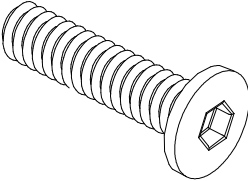
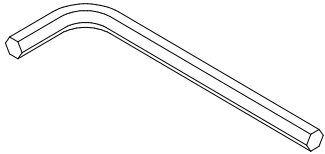
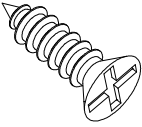
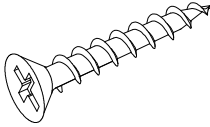
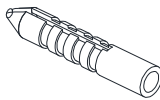
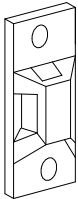
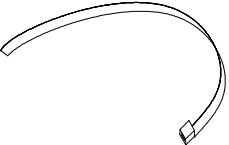
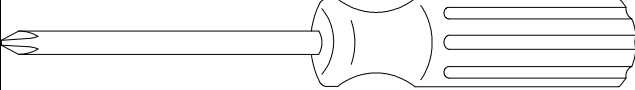
Harvey Mixed Tone Credenza

Parts List

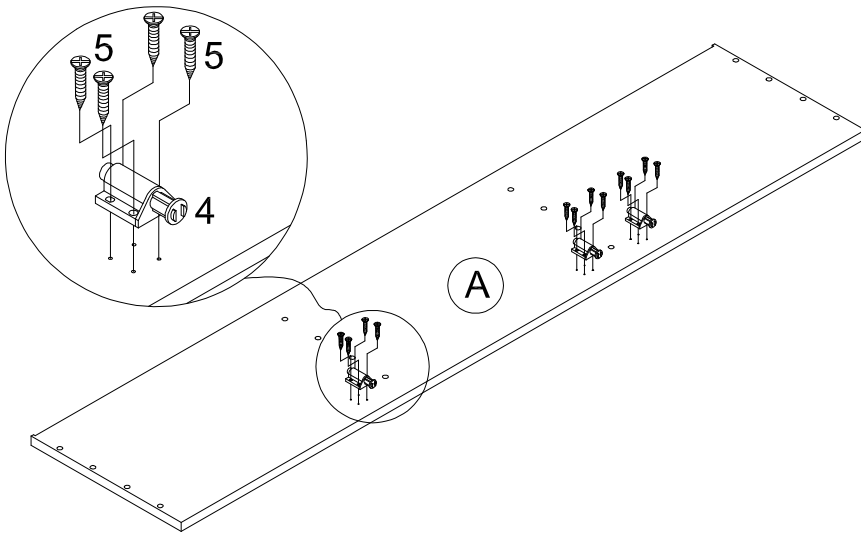
Please check packaging for all parts and hardware before discarding. Unpack and lay parts on clean, padded surface like carpet or blanket. Check that you have all parts indicated. Call customer service if hardware is missing. Before beginning assembly, carefully study the diagrams below and sort your hardware according to the pictures. Using the incorrect hardware will cause damage.

<p>A. Quantity of 1</p>  <p>Top Panel</p>	<p>B. Quantity of 1</p>  <p>Bottom Panel</p>	<p>C. Quantity of 1</p>  <p>Left Side Panel</p>
<p>D. Quantity of 1</p>  <p>Right Side Panel</p>	<p>E. Quantity of 1</p>  <p>Left Vertical Panel</p>	<p>F. Quantity of 1</p>  <p>Right Vertical Panel</p>
<p>G. Quantity of 3</p>  <p>Adjustable Panel</p>	<p>H. Quantity of 1</p>  <p>Left Door</p>	<p>I. Quantity of 1</p>  <p>Middle Door</p>
<p>J. Quantity of 1</p>  <p>Right Door</p>	<p>K. Quantity of 1</p>  <p>Back Panel</p>	<p>L. Quantity of 2</p>  <p>Metal Frame</p>

<p>M. Quantity of 4</p>  <p>Metal Rail</p>		
<p>1. Quantity of 12</p>  <p>Cam Bolt</p>	<p>2. Quantity of 12</p>  <p>Cam Lock</p>	<p>3. Quantity of 16</p>  <p>Wood Dowel Dia 8 x 30mm</p>
<p>4. Quantity of 3</p>  <p>Magnet</p>	<p>5. Quantity of 16</p>  <p>Flat Head Screw Dia 1/8" x 5/8"L (For Magnet and Bracket)</p>	<p>6. Quantity of 3</p>  <p>Magnet Plate</p>
<p>7. Quantity of 12</p>  <p>Shelf Pin</p>	<p>8. Quantity of 6</p>  <p>Hinge</p>	<p>9. Quantity of 36</p>  <p>Screw Dia 1/8" x 5/8"L (For Hinge)</p>
<p>10. Quantity of 4</p>  <p>Leg's Leveler</p>	<p>11. Quantity of 4</p>  <p>Round Head Bolt</p>	<p>12. Quantity of 4</p>  <p>T- Nut</p>

<p>13. Quantity of 32</p>  <p>Round Head Screw Dia 1/8" x 1/2" L (For Back Panel)</p>	<p>14. Quantity of 20</p>  <p>Flat Washer</p>	<p>15. Quantity of 20</p>  <p>Spring Washer</p>
<p>16. Quantity of 16</p>  <p>Short Bolt Ø1/4" x 1/2" L</p>	<p>17. Quantity of 4</p>  <p>Long Bolt Ø1/4" x 1-1/2" L</p>	<p>18. Quantity of 1</p>  <p>Allen Wrench</p>
<p>19. Quantity of 3</p>  <p>Flat Head Screw Dia 1/8" x 1/2" L (For Magnet Plate)</p>	<p>20. Quantity of 4</p>  <p>Screw Dia 1/8" x 1-1/2" L</p>	<p>21. Quantity of 4</p>  <p>Anchor</p>
<p>22. Quantity of 4</p>  <p>Bracket</p>	<p>23. Quantity of 2</p>  <p>Plastic Strap</p>	
<p>Care and Cleaning Instructions: Before using, wipe with a clean, dry cloth. Periodically apply furniture wax to renew the finish. Avoid rubbing or scratching the surface with rough or abrasive objects.</p>		<p>For replacement parts or questions, please call customer service at 1-800-633-5096.</p>
<p>Assembly Tool Required No.2 Phillips Screwdriver (Not Included)</p>		

Harvey Mixed Tone Credenza Assembly Instructions

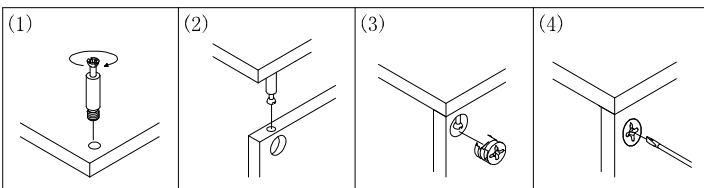


Screw with fingers to help align screws before using screwdriver.

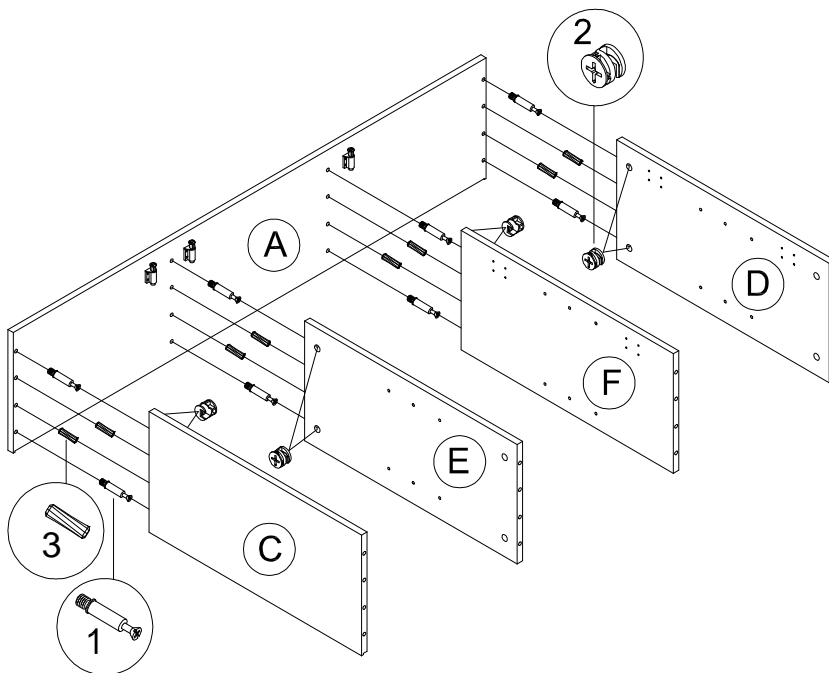
Attach Magnets (4) to Top Panel (A) using Flat Head Screws (5).

Tighten Flat Head Screws (5) with Phillips screwdriver.

Figure 1



"Please do not over tighten cambolts. Please stop when you feel tight"



Screw with fingers to help align cam bolts before using screwdriver.

Insert Cam Locks (2) into corresponding holes on Side Panels (C & D) and Vertical Panels (E & F).

Screw Cam Bolts (1) and insert Wood Dowels (3) into corresponding holes on Top Panel (A).

Attach Top Panel (A) to Side Panels (C & D) and Vertical Panels (E & F) by inserting Wood Dowels (3) and Cam Bolts (1) into corresponding holes until panels meet.

Tighten by rotating Cam Locks (2) clockwise with Phillips screwdriver.

Figure 2

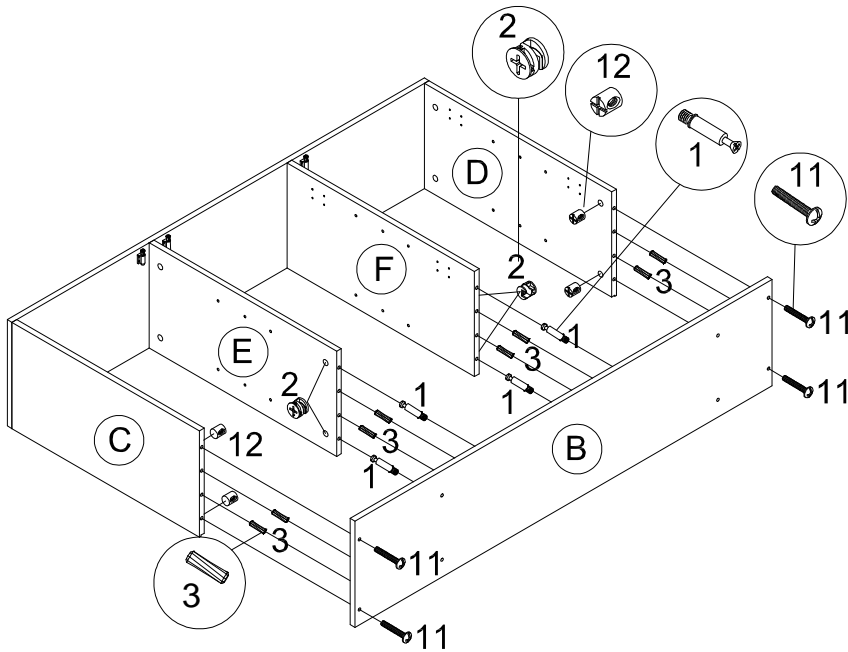


Figure 3

Insert Cam Locks **(2)** into holes on assembled unit.

Screw Cam Bolts **(1)** and insert Wood Dowels into holes on Bottom Panel **(B)**.

Insert T-Nut **(12)** into predrilled holes on Side Panels **(C & D)**.

Attach Bottom Panel **(B)** to assembled unit by inserting Wood Dowels **(3)** and Cam Bolts **(1)** into corresponding holes until panels meet.

Tighten by rotating Cam Locks **(2)** clockwise with Phillips screwdriver.

Insert Bolts **(11)** through corresponding holes on bottom of Bottom Panel **(B)** and into T-nuts **(12)**. Tighten Bolts **(11)** with Phillips screwdriver.

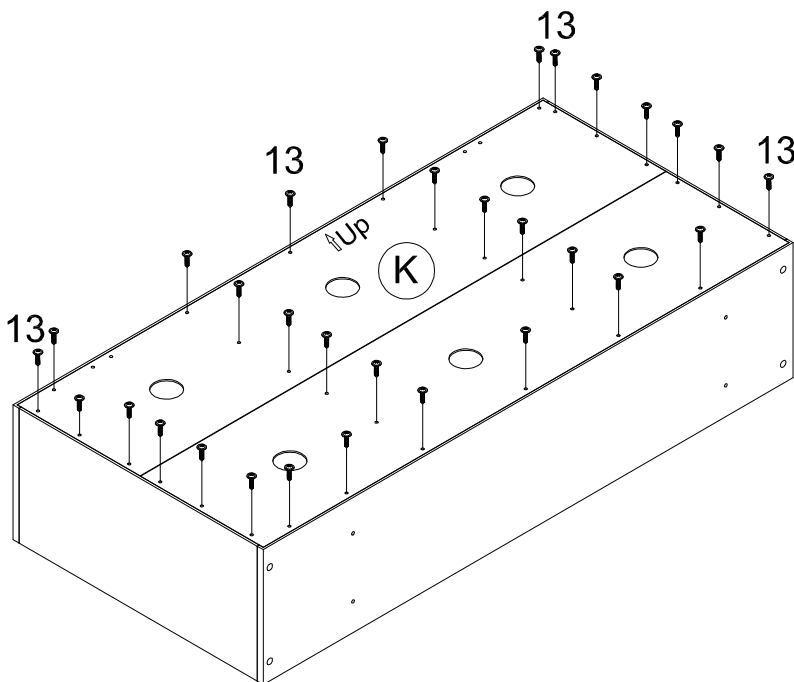


Figure 4

Attach Back Panel **(K)** to backside of assembled unit with Round Head Screws **(13)**.

Tighten Screws **(13)** with a Phillips screwdriver.

Note: Make sure the arrow on Back Panel **(K)** is pointing up.

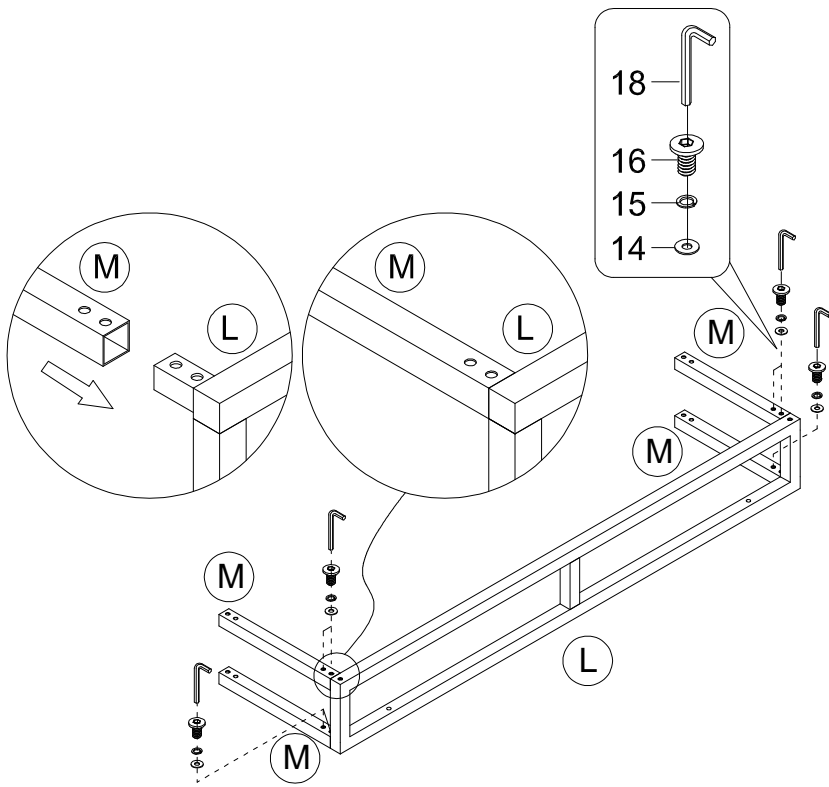


Figure 5

Attach Metal Frame (**L**) to Metal Rails (**M**) with Short Bolts (**16**), Spring Washers (**15**) and Flat Washers (**14**) as shown.

Do not fully tighten bolts until Figure 8 is complete.

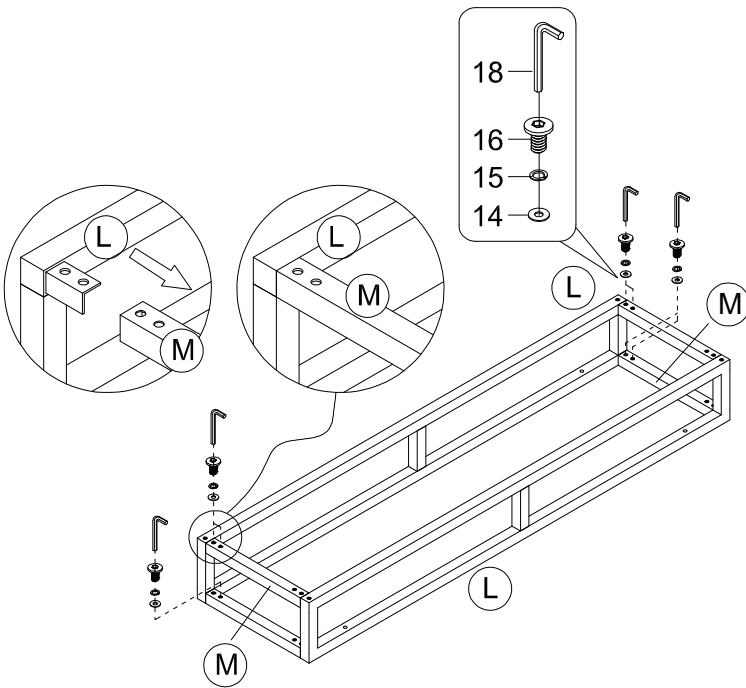
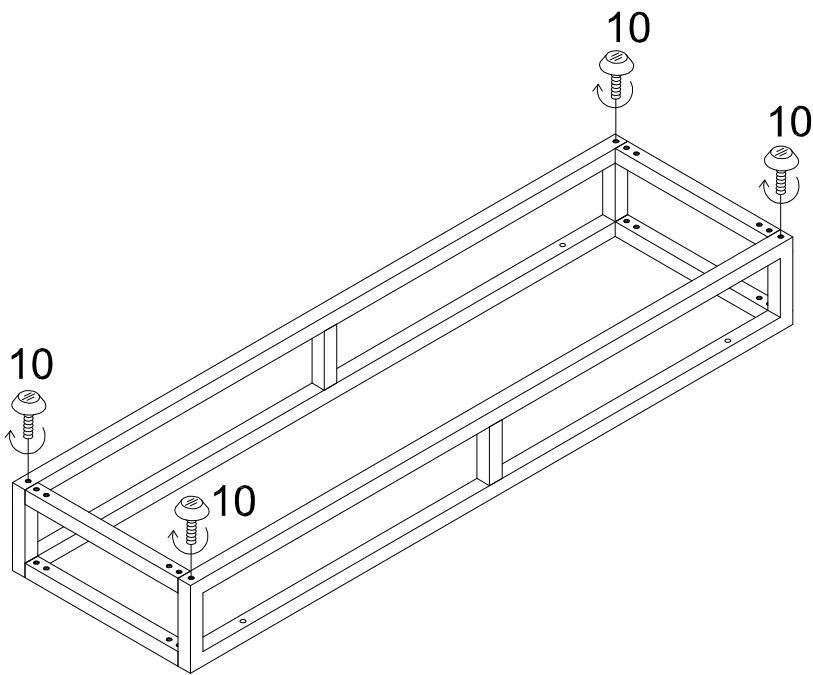


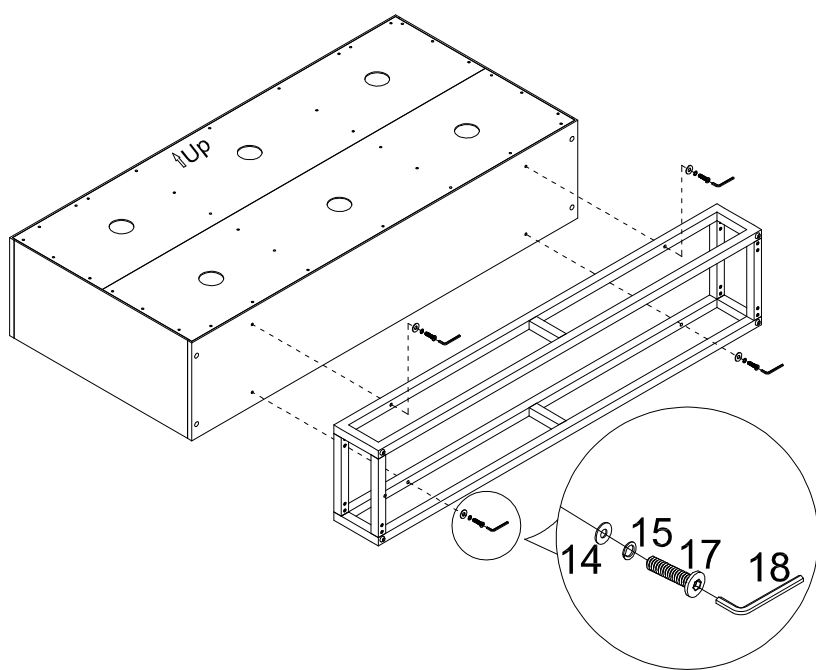
Figure 6

Attach second Metal Frame (**L**) to assembled rail with Short Bolts (**16**), Spring Washers (**15**) and Flat Washers (**14**) as shown.



Attach Leg's Levelers (10) to rail by hand.

Figure 7



Connect assembled rail to assembled unit with Long Bolts (17), Spring Washers (15) and Flat Washers (14) as shown.

Tighten Long Bolts (17) with Allen Wrench (18).

Check and tighten all Bolts with Allen Wrench (18).

Stand the Credenza up.

Figure 8

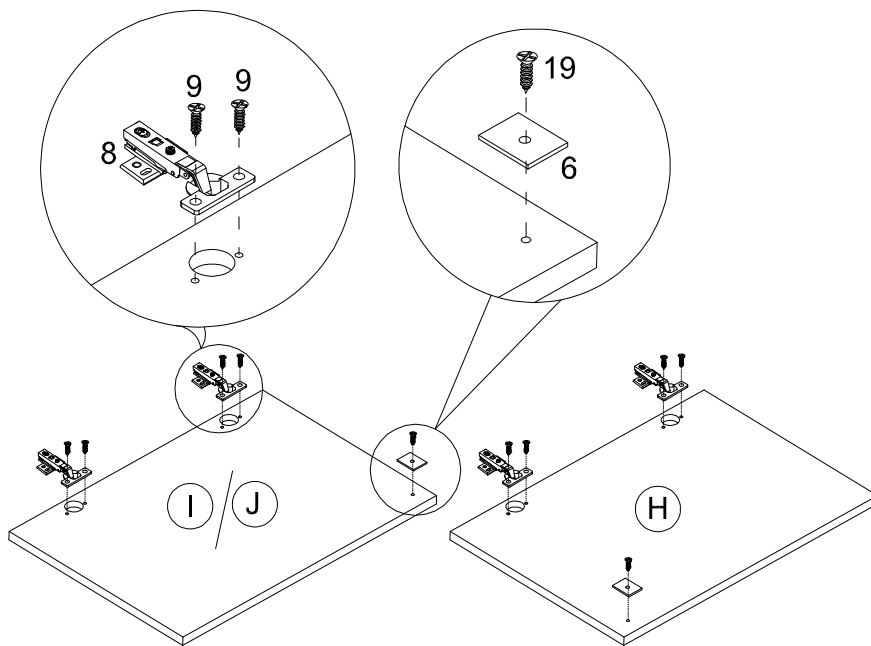


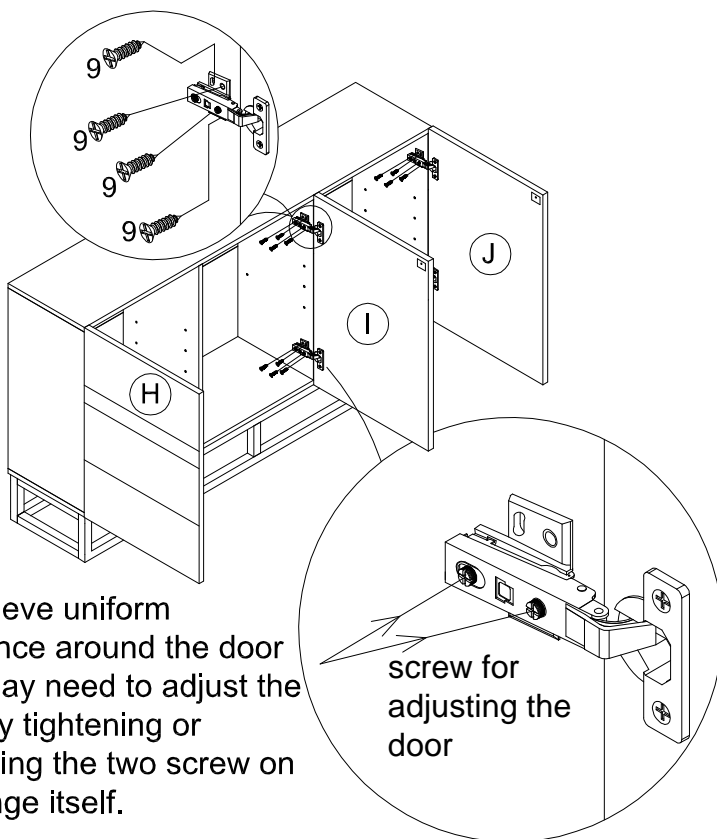
Figure 9

Attach Hinges (8) to Door Panels (H), (I) and (J) with Screws (9).

Tighten Screws (9) with Phillips screwdriver.

Attach the Metal Plates (6) onto the inside of the door frames using Flat Head Screws (19).

Tighten Flat Head Screws (19) with a Phillips screwdriver.



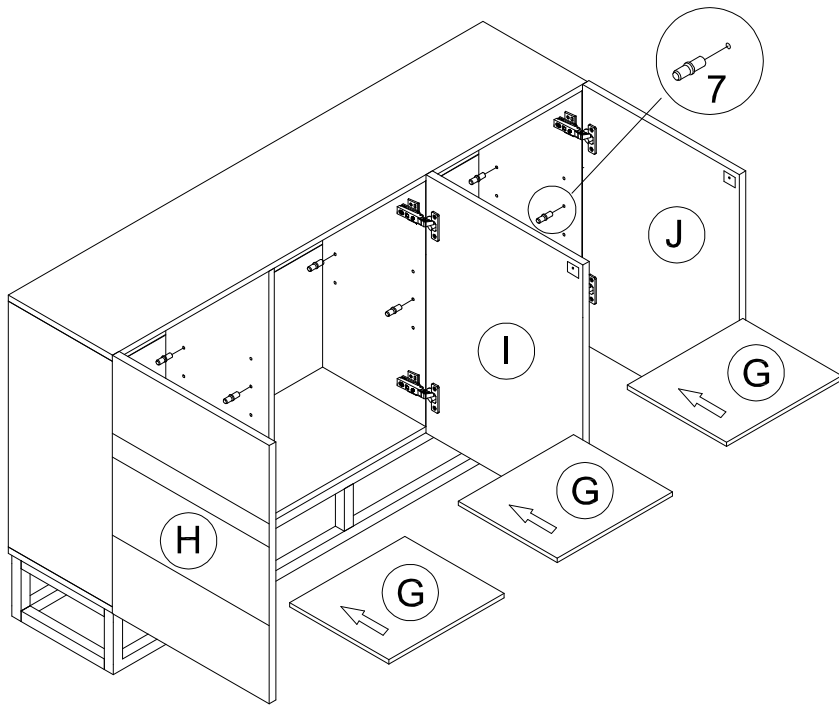
to achieve uniform clearance around the door ,you may need to adjust the door by tightening or loosening the two screw on the hinge itself.

screw for adjusting the door

Figure 10

Attach Door Panels (H), (I), and (J) to assembled unit with Screws (9) as shown.

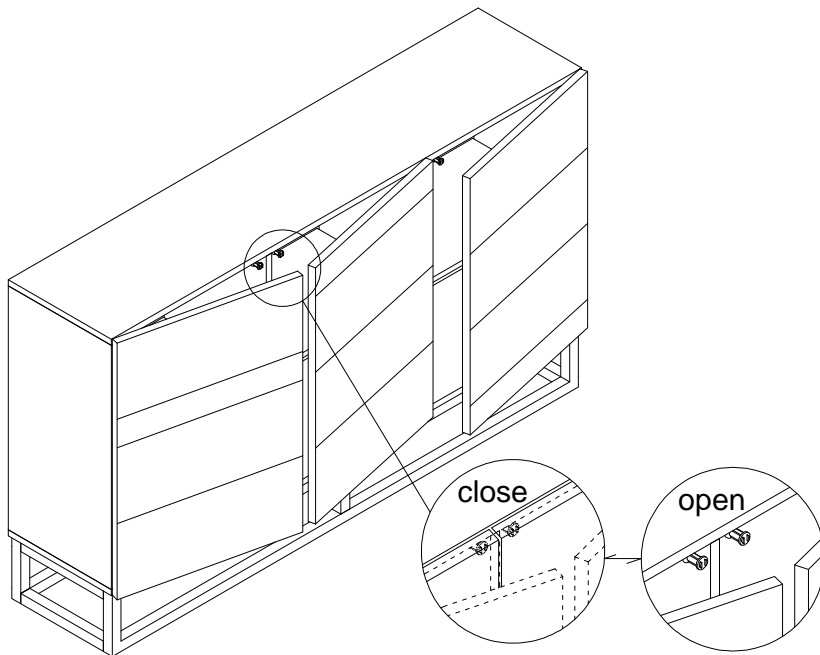
Tighten Screws (9) with Phillips screwdriver.



Insert Shelf Pins (**7**) into corresponding holes on Side Panels and Vertical Panels.

Place Adjustable Shelves (**G**) onto Shelf Pins as show.

Figure 11



To open doors, push on corner corresponding to magnet.

Push door on corresponding corner to close.

Figure 12

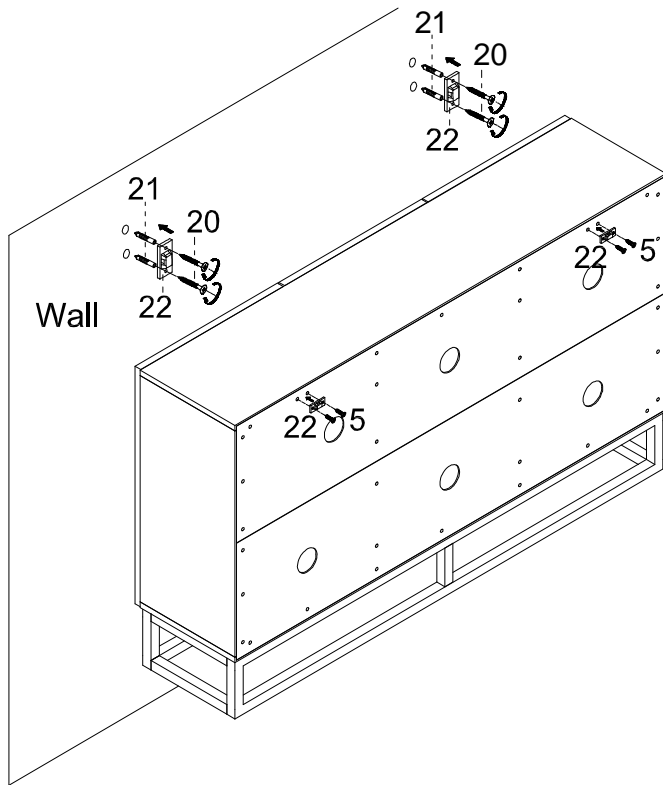


Figure 13

Attach Brackets **(22)** to back panel using Screws **(5)**.

Tighten Screws **(5)** using Philips screwdriver.

Mark two desired locations on wall and drill two 3/16" holes.

Insert Plastic Anchors **(21)** into two holes on wall as shown. Use a hammer to insert plastic anchors until they are flush with wall.

Then, attach Brackets **(22)** onto wall using Screws **(20)**.

Tighten Screws **(20)** using Philips screwdriver.

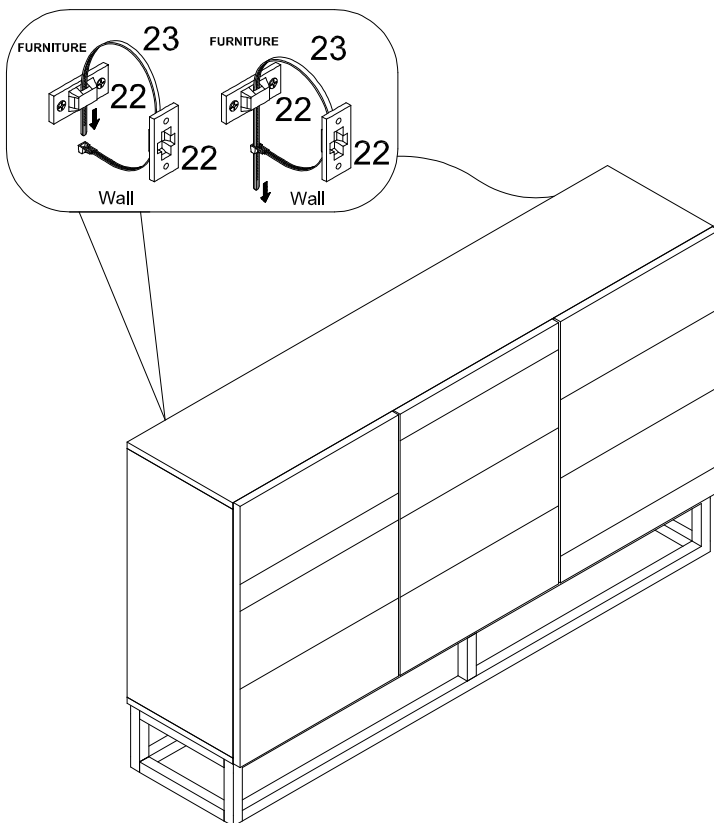
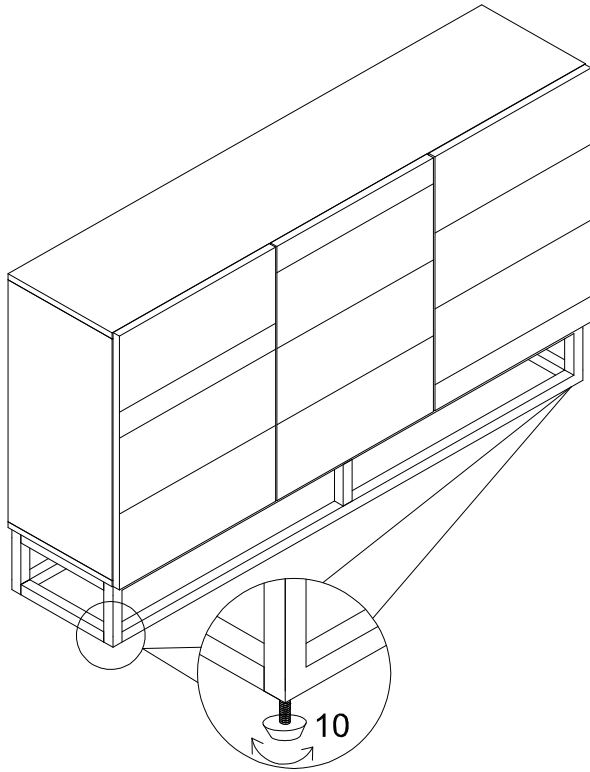


Figure 14

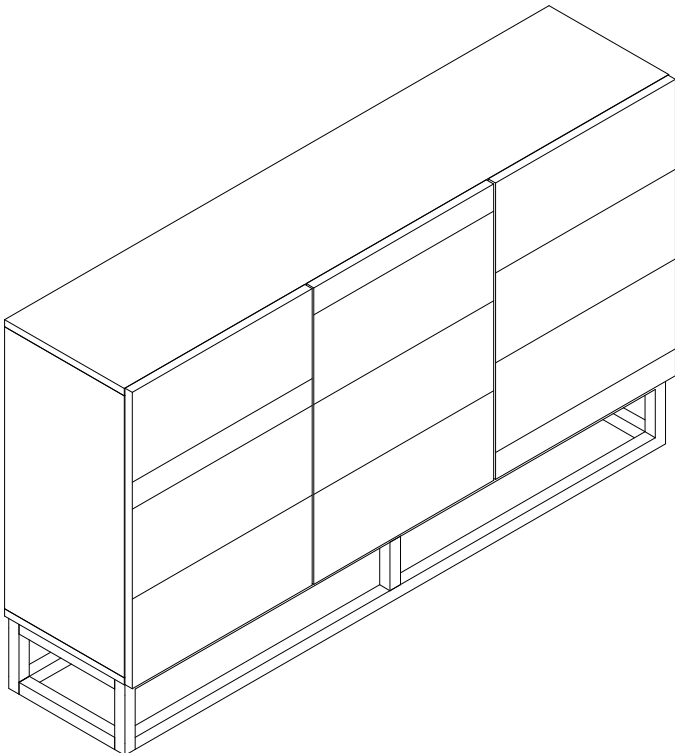
Move this item close to wall Brackets **(22)** and tie in all Brackets **(22)** together with Plastic Straps **(23)** as shown in diagram.

Anti-tipping hardware must be used for this product to avoid tipping and injury.



Tip: If the Credenza is not level, please adjust the Leg's Leveler (**10**) by hand as shown.

Figure 15



Now your Harvey Mixed Tone Credenza is ready for use.

Figure 16

Parts Replacement Form

Customer Information

Name _____

Address _____

City/State/Zip Code _____

Phone Number _____

Please indicate where you purchased this item: Store/Website/Catalog

Please indicate color/size/style number:

Style No	Parts Letter	Parts Description	Quantity Needed
_____	_____	_____	_____
_____	_____	_____	_____
_____	_____	_____	_____

Please immediately examine this product carefully. Any request for missing parts or damage replacement must be received within 90 days of your receipt of the product. Replacement, if available, will be honored within this time frame. Parts will not be available for items arriving fully assembled. We do not recommend modifying product(s) and we are not responsible for any damages due to product modification(s). If damages or missing parts are not reported within 90 days of your receipt, we are under no obligation to provide parts or replacement merchandise.

For product issues, please contact Southern Enterprises at 800-633-5096 (toll-free) / 972-869-0111 (Dallas) Mon-Fri 9am – 4pm CST, or email us at service@seidal.com. Please ask for customer service representative for issues involving damages or replacement parts. Please ask for technical assistance representative for any issues with product and assembly/construction.

Please contact the retailer that you purchased from for returns.



Customer Service 1-800-633-5096
service@seidal.com
Southern Enterprises, Inc.
600 Freeport Parkway, Suite 200
Coppell, Texas 75019