

JS553200TX

SHABBY CHIC WALL MOUNT

JEWELRY MIRROR

Assembly Instructions



Southern
ENTERPRISES

For assistance with assembly contact:

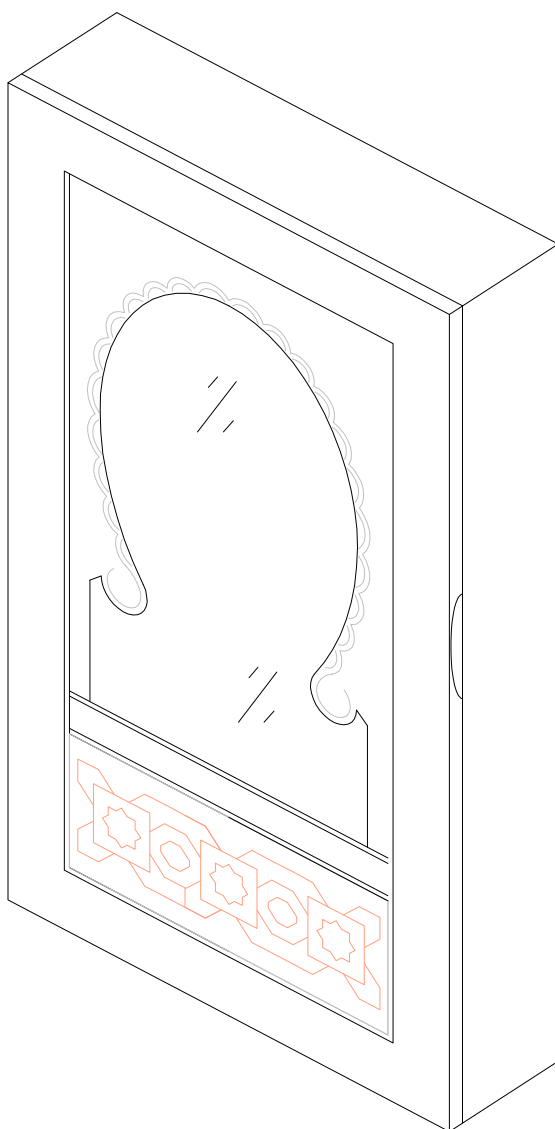
Southern Enterprises, Inc.

Customer Service 1-800-633-506

service@seidal.com

www.seidal.com

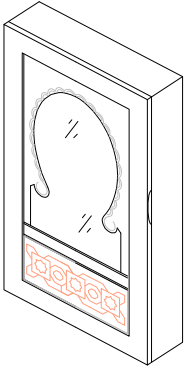
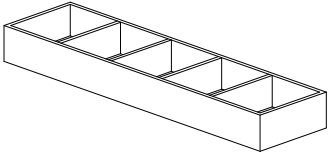
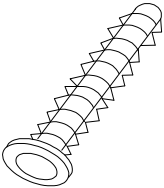
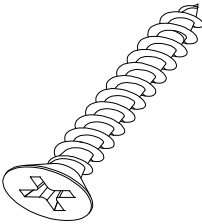
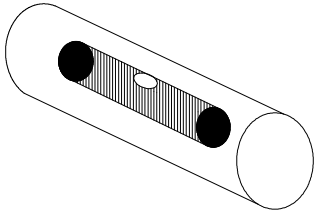
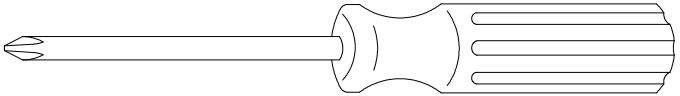
PO#:



SHABBY CHIC WALL MOUNT JEWELRY MIRROR

Parts List

Please review all parts and hardware before disposing of any packaging. Call Customer Service if missing hardware. Do not return to store/retailer. Using a screw that is too long will cause damage. Before beginning assembly, separate each type of screw. Carefully study the screw diagrams below.

<p>A</p>  <p>Quantity of 1</p>	<p>B</p>  <p>Quantity of 1</p>
<p>1</p>  <p>Quantity of 3</p>	<p>2</p>  <p>Quantity of 3</p>
<p>3</p>  <p>Quantity of 1</p>	<p>Inner Box</p>
<p>Plastic Anchor</p>	<p>Screw</p>
<p>Levels</p>	<p>Care and Cleaning Instructions: Before using, wipe with a clean, dry cloth. Avoid rubbing or scratching the surface with rough or abrasive objects.</p>
<p>Assembly Tool Required No.2 Phillips Screwdriver (Not Included)</p>	

Tool List: 3/16" drill bit, drill, tape measure and pencil.

SHABBY CHIC WALL MOUNT JEWELRY MIRROR

Assembly Instructions

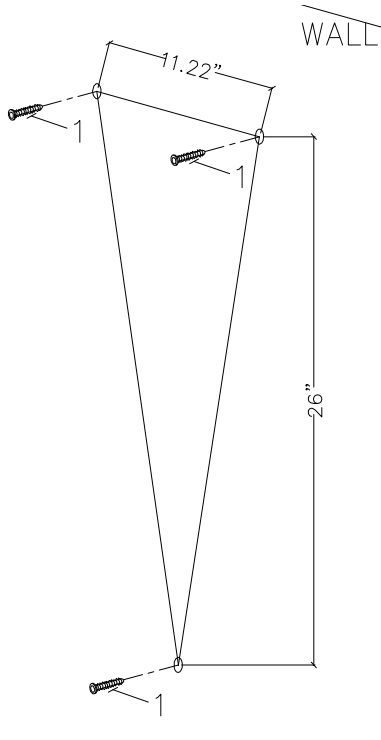


Figure 1

Step 1

Unpack and lay parts on clean, padded surface like carpet or blanket. Check that you have all parts indicated on the front page.

Step 2

Find a desired location. Mark 3 locations for screws on wall.

Step 3

Mark three location on wall for holes. Drill two 3/16" hole. The distance between the three holes must be the same as figure 1 shows. One screw must be attached directly into a wall stud. Wall anchor is not needed when mounting to wall stud

Insert plastic anchors (1) into the 2 holes on wall as shown. (When doing this, you will need a hammer help you).

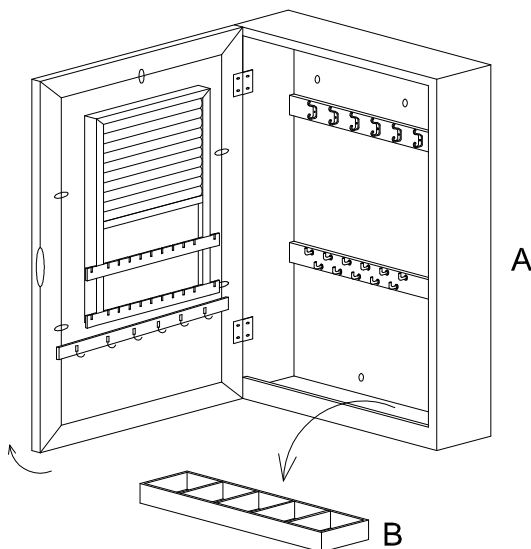


Figure 2

Step 4

Open the Shabby Chic Wall Mount Jewelry Mirror (A) and then take out the inner Box (B).

SHABBY CHIC WALL MOUNT JEWELRY MIRROR

Assembly Instructions

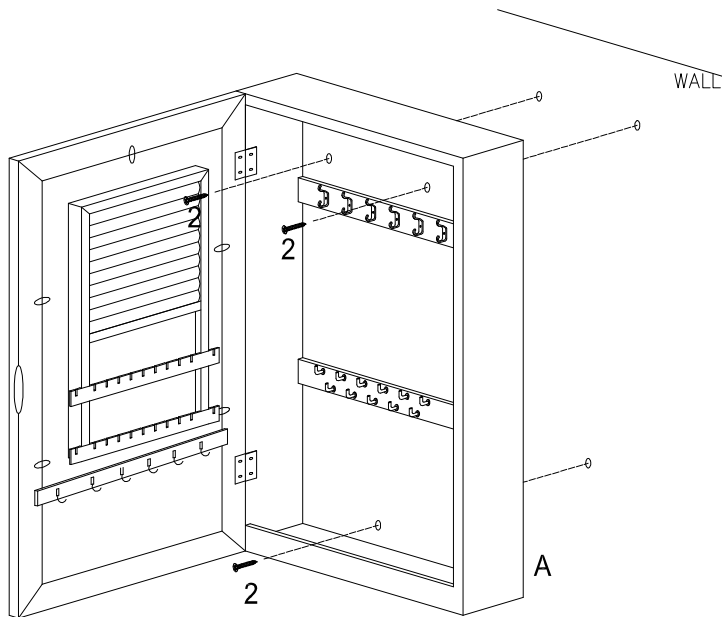


Figure 3

Step 5

Connect the Shabby Chic Wall Mount Jewelry Armoire (A) and plastic anchor (1) with screw (2). Tighten screw (2) by using Phillips head screwdriver (not included). and last check if Jewelry Armoire (A) is attached on the wall firmly.

Step 6

place levels on top to insure product is level

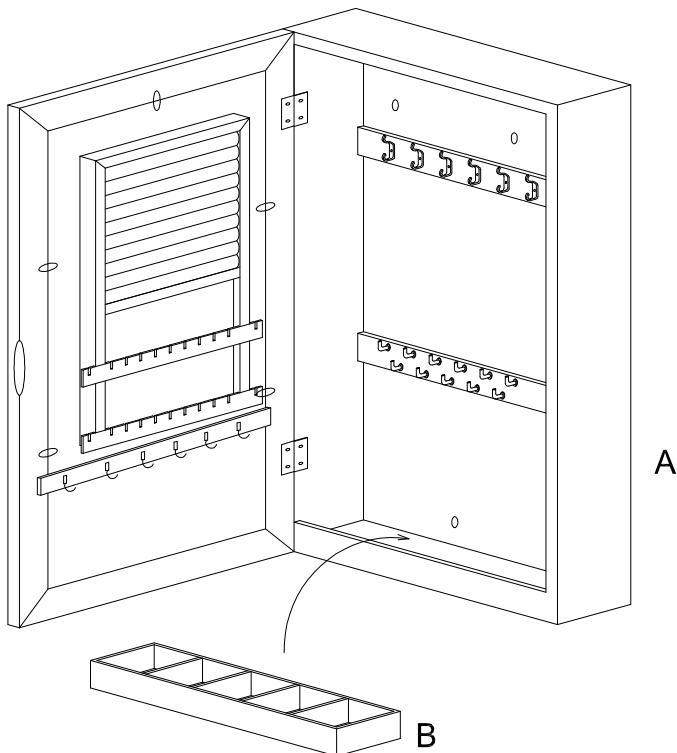


Figure 4

Step 7

Put the Inner Box (B) to the right position.

Now your new Shabby Chic Wall Mount Jewelry Mirror is ready to use.

Parts Replacement Form

Customer Information

Name _____

Address _____

City/State/Zip Code _____

Phone Number _____

Please indicate where you purchased this item: Store/Website/Catalog

Please indicate color/size/style number:

Style No Needed	Parts Letter	Parts Description	Quantity
--------------------	--------------	-------------------	----------

Please immediately examine this product carefully. Any request for missing parts or damage replacement must be received within 90 days of your receipt of the product. Replacement, if available, will be honored within this time frame. Parts will not be available for items arriving fully assembled. We do not recommend modifying product(s) and we are not responsible for any damages due to product modification(s). If damages or missing parts are not reported within 90 days of your receipt, we are under no obligation to provide parts or replacement merchandise.

Please contact Southern Enterprises at 800-633-5096 or in Dallas 972-869-0111/ 9am – 4pm Mon-Fri Central time if you have product issues or email us at service@seidal.com. Please ask for customer service representative for issues involving damages or replacement parts. Please ask for technical assistance representative for any issues with product and assembly/construction.

Please contact the retailer that you purchased from for returns.



Southern
ENTERPRISES

Customer Service 1-800-633-5096

service@seidal.com

Southern Enterprises, Inc.

600 Freeport Parkway, Suite 200

Coppell, Texas 75019