

CK437000TX – Chrome
CK427000TX - Champagne
Ava Mirror Cocktail
Assembly Instructions

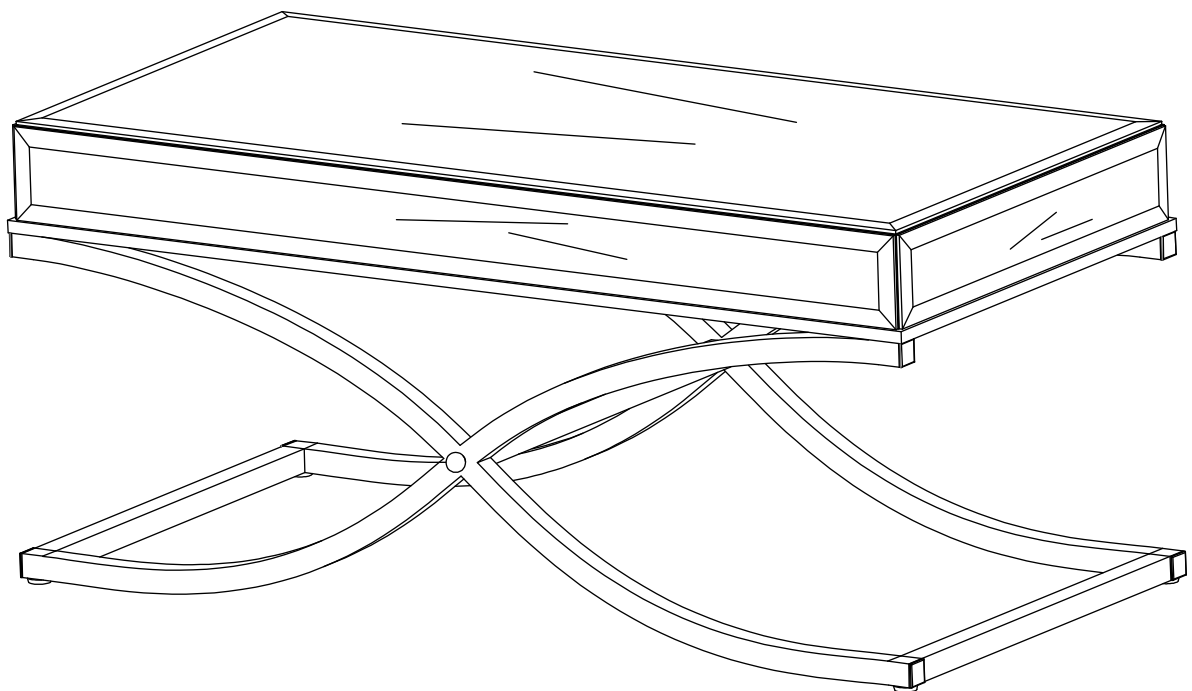


Southern
ENTERPRISES

For assistance with assembly, contact:
Southern Enterprises Inc.
Customer Service 1-800-633-5096
service@seidal.com
www.seidal.com

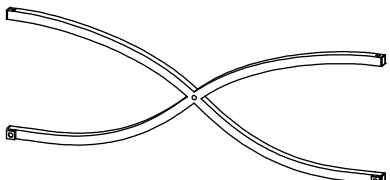
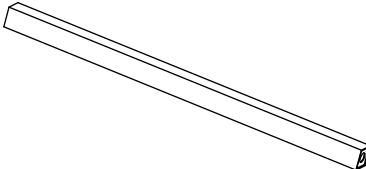
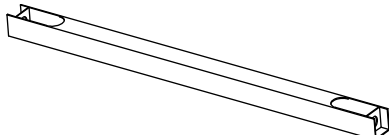
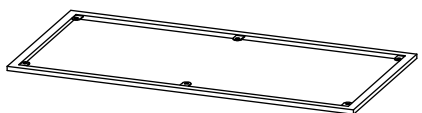
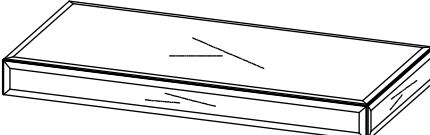
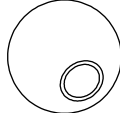
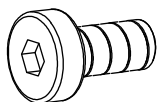
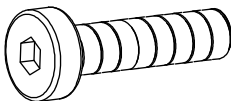
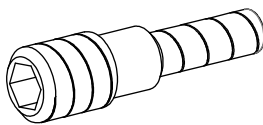
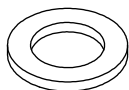
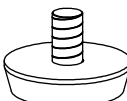
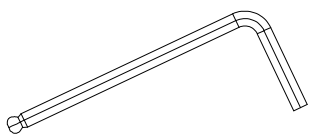
PO:

Top supports up to lb.



CK437000TX – Chrome CK427000TX - Champagne Ava Mirror Cocktail Parts List

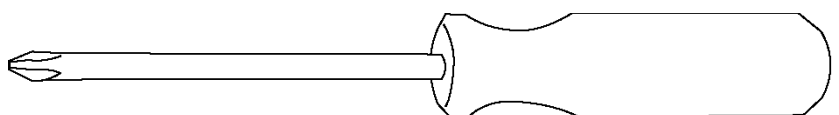
Please check packaging for all parts and hardware before discarding. Unpack and lay parts on clean, padded surface, such as carpet or blanket. Check that you have all parts indicated. Call customer service if hardware is missing. Before beginning assembly, carefully study the diagrams below and sort your hardware according to the pictures. Using the incorrect hardware will cause damage.

<p>1 2PCS</p>  <p>Side Panel</p>	<p>2 1PC</p>  <p>Center Stretcher</p>	<p>3 2PCS</p>  <p>Bottom Stretcher</p>
<p>4 1PC</p>  <p>Top Frame</p>	<p>5 1PC</p>  <p>Mirrored Top</p>	<p>6 2PCS</p>  <p>Under Rod</p>
<p>A 10PCS</p>  <p>Screw 1/4"x 5/8"</p>	<p>B 4PCS</p>  <p>Screw 1/4"x 1-1/4"</p>	<p>C 2PCS</p>  <p>Screw</p>
<p>D 4PCS</p>  <p>Flat Washer</p>	<p>E 4PCS</p>  <p>Leveler</p>	<p>F 1PC</p>  <p>Wrench</p>

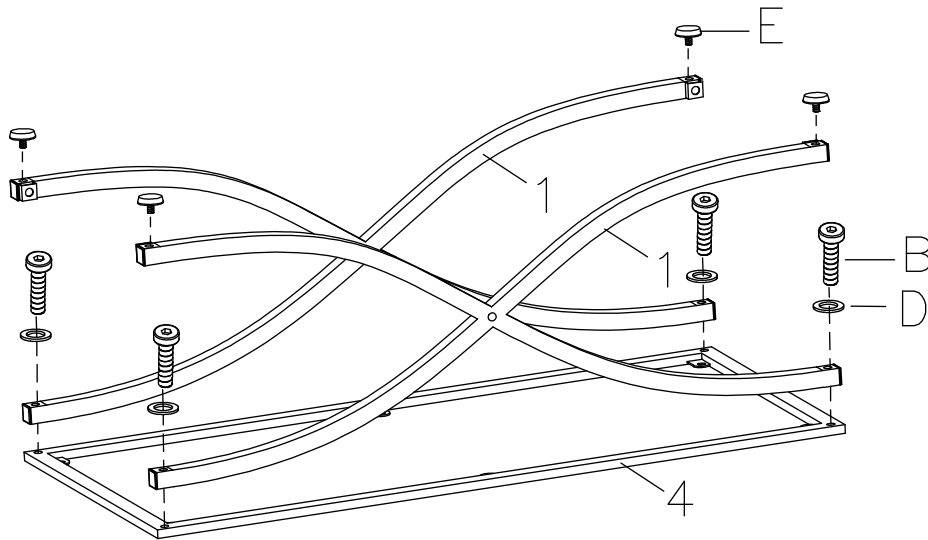
Care and Cleaning Instructions:
Before using, wipe with a clean, dry cloth.
Avoid rubbing or scratching the surface with rough or abrasive objects.

For replacement parts or questions, please call customer service at 1-800-633-5096.

Assembly Tool Required
No.2 Phillips Screwdriver



CK437000TX – Chrome CK427000TX – Champagne Ava Mirror Cocktail Assembly Instructions

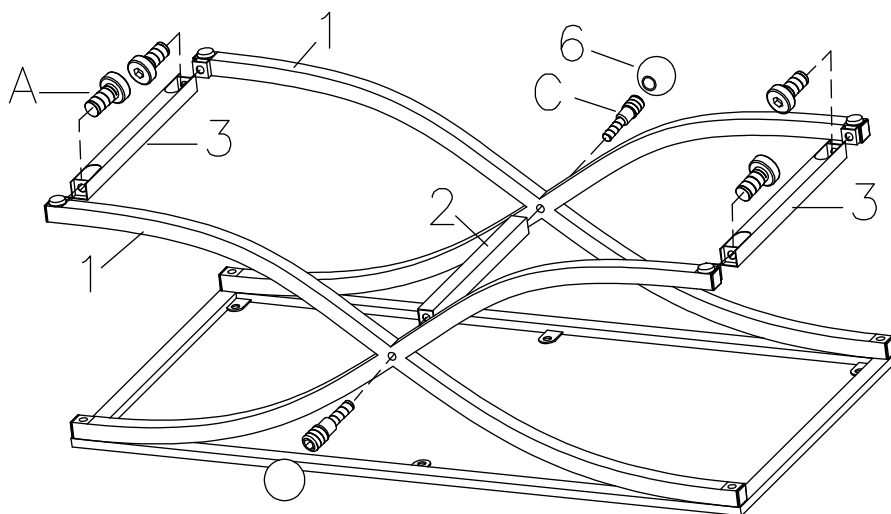


Notice: Please do not tighten screws completely until all the screws are in place.

Turn all parts upside down for assembly.

Attach Side Panels (1) to Top Frame (4) using Screws (B) and Flat Washers (D). Then, attach Levelers (E) to Side Panels (1) as shown.

Figure 1



Attach Bottom Stretchers (3) to Side Panels (1) using Screws (A) and attach Center Stretcher (2) to Side Panels (1) using Screws (C).

Then, tighten Under Rods (6) to Side Panels as shown.

Figure 2

Attach the assembled metal base to Mirrored Top (5) using Screws (A) as shown.

Tighten all screws and carefully turn the assembled unit upright.

Your mirrored cocktail table assembly is now complete.

***Notice:** Please adjust each leveler to make sure the table sits firmly on the ground.

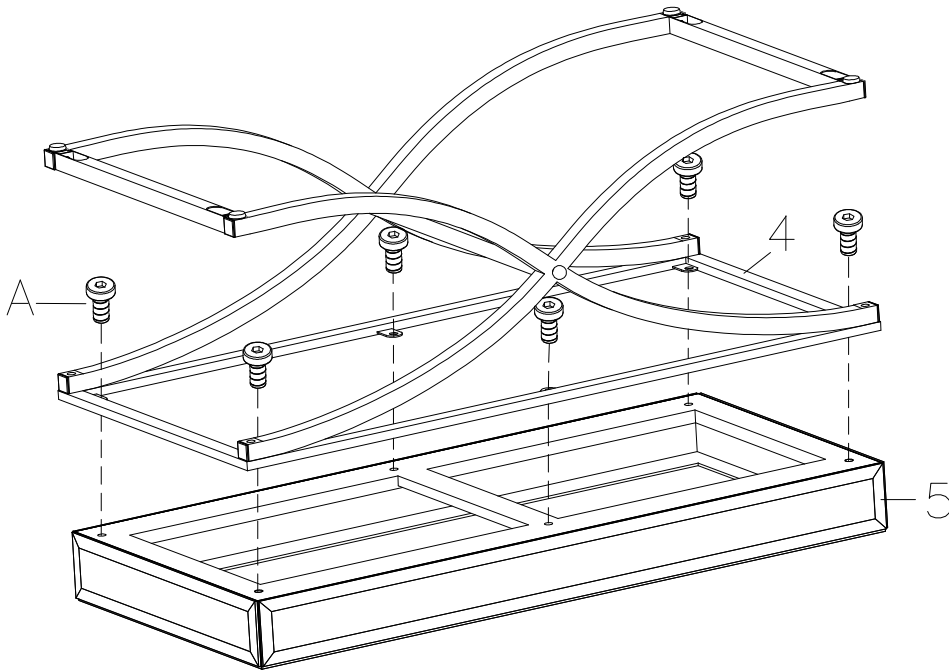


Figure 3



Southern
ENTERPRISES

Customer Service 1-800-633-5096
service@seidal.com
Southern Enterprises, Inc.
600 Freeport Parkway, Suite 200
Coppell, Texas 75019

Parts Replacement Form

Customer Information

Name _____

Address _____

City/State/Zip Code _____

Phone Number _____

Please indicate where you purchased this item: Store/Website/Catalog

Please indicate color/size/style number:

Style No

Parts Letter

Parts Description

Quantity Needed

Please immediately examine this product carefully. Any request for missing parts or damage replacement must be received within 90 days of your receipt of the product. Replacement, if available, will be honored within this time frame. Parts will not be available for items arriving fully assembled. We do not recommend modifying product(s) and we are not responsible for any damages due to product modification(s). If damages or missing parts are not reported within 90 days of your receipt, we are under no obligation to provide parts or replacement merchandise.

Please contact Southern Enterprises at 800-633-5096 or in Dallas 972-869-0111/ 9am – 4pm Mon-Fri Central time if you have product issues or email us at service@seidal.com. Please ask for customer service representative for issues involving damages or replacement parts. Please ask for technical assistance representative for any issues with product and assembly/construction.

Please contact the retailer that you purchased from for returns.



Southern
ENTERPRISES

Customer Service 1-800-633-5096
service@seidal.com
Southern Enterprises, Inc.
600 Freeport Parkway, Suite 200
Coppell, Texas 75019