

HZ030200TX

Drake Mirror/Hidden Coat

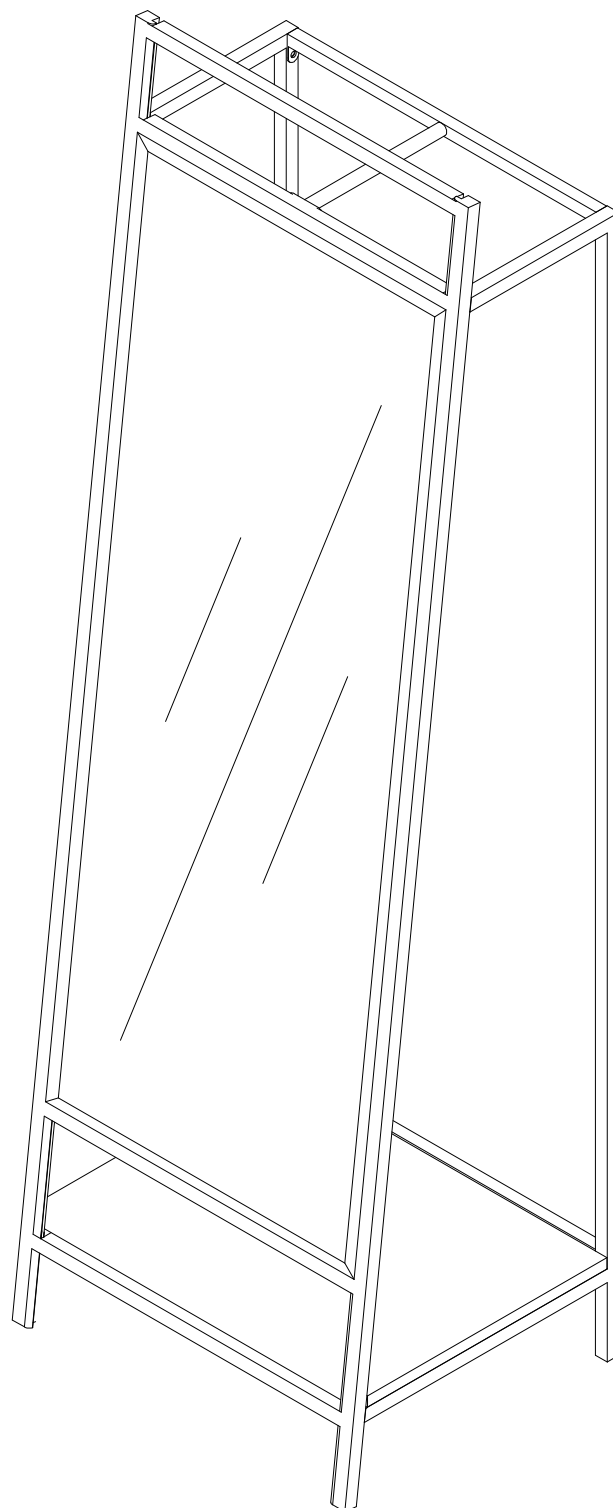
Rack

Assembly Instructions



Southern
ENTERPRISES

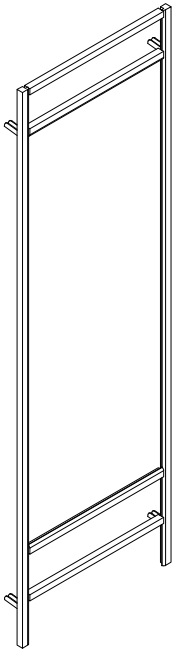


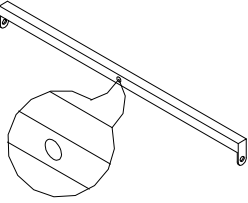
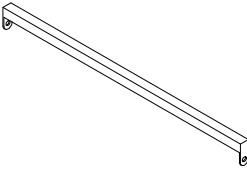
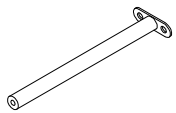
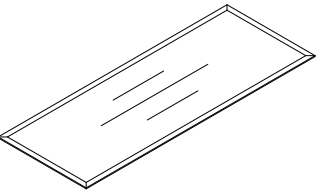
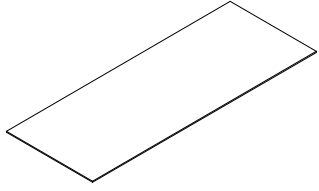
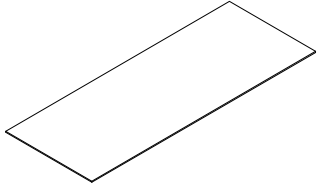
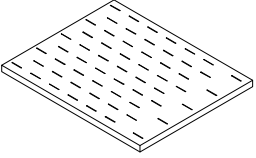
For assistance with assembly contact:
Southern Enterprises Inc.
Customer Service 1-800-633-5096
service@seidal.com
www.seifurniturestore.com

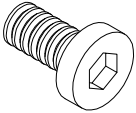
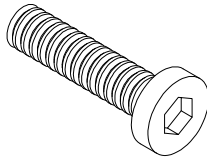
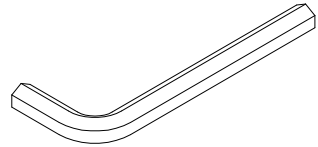
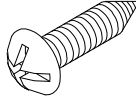
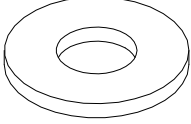
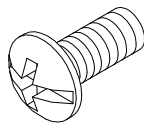
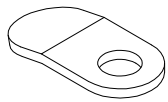
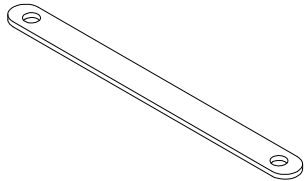
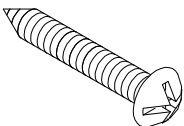
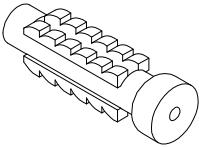
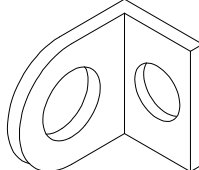
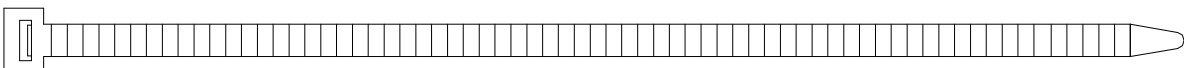
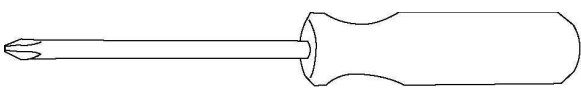


Drake Mirror/Hidden Coat Rack

Parts List

Please check packaging for all parts and hardware before discarding. Unpack and lay parts on clean, padded surface like carpet or a blanket. Check that you have all parts indicated. Call customer service if any hardware is missing. Before beginning assembly, carefully study the diagrams below and sort your hardware according to the pictures. Using the incorrect hardware will cause damage.

A  Quantity of 1 Front Frame	B  Quantity of 1 Right Side Frame	C  Quantity of 1 Left Side Frame
D  Quantity of 1 Metal Tube	E  Quantity of 1 Bottom Metal Tube	F  Quantity of 1 Handle Divider Tube
G  Quantity of 1 Mirror Panel	H  Quantity of 1 Paper Panel	J  Quantity of 1 Wood Panel
K  Quantity of 1 Wood Shelf Panel		

<p>1</p> <p>Quantity of 14</p>  <p>Short Bolt : $\text{Ø}1/4" \times 1/2" \text{ L}$</p>	<p>2</p> <p>Quantity of 1</p>  <p>Long Bolt : $\text{Ø}1/4" \times 1-1/4" \text{ L}$</p>	<p>3</p> <p>Quantity of 1</p>  <p>Allen Wrench</p>
<p>4</p> <p>Quantity of 4</p>  <p>Wood Screw: $4.0 \times 1/2" \text{ L}$</p>	<p>5</p> <p>Quantity of 8</p>  <p>Flat washer</p>	<p>6</p> <p>Quantity of 12</p>  <p>Small Bolt: $4.0 \times 3/8" \text{ L}$</p>
<p>7</p> <p>Quantity of 4</p>  <p>Tablet</p>	<p>8</p> <p>Quantity of 4</p>  <p>Long Tablet</p>	
<p>9</p> <p>Quantity of 2</p>  <p>Long Wood screw : $4.0 \times 1" \text{ L}$</p>	<p>10</p> <p>Quantity of 2</p>  <p>Wall anchor</p>	<p>11</p> <p>Quantity of 2</p>  <p>Wall brackets</p>
<p>12</p> <p>Quantity of 2</p>  <p>Plastic strap</p>		
<p>Care and cleaning instructions:</p> <p>Before use, wipe with a clean, dry cloth.</p> <p>Periodically apply furniture wax to renew the finish. Avoid rubbing or scratching the surface with rough or abrasive objects.</p>		<p>For replacement parts or questions, please Call SEI customer service at 1-800-633-5096</p>
<p>Assembly Tool Required</p> <p>No.2 Phillips Screwdriver (Not Included)</p>		

Tool List: 3/16" Drill Bit, Drill, Tape Measure and Pencil.

Drake Mirror/Hidden Coat Rack

Assembly Instructions

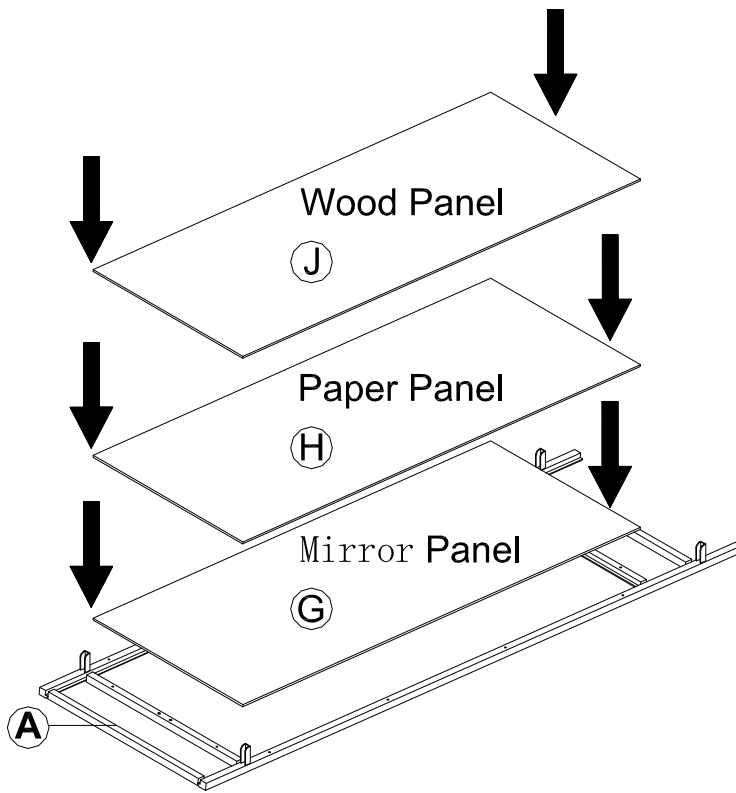


Figure 1

Put Mirror Panel(G) onto the Front frame Frame(A).

Then put Paper Panel(H) onto the Mirror Panel (G).

Put Wood Panel(J) onto the Paper Panel(H)

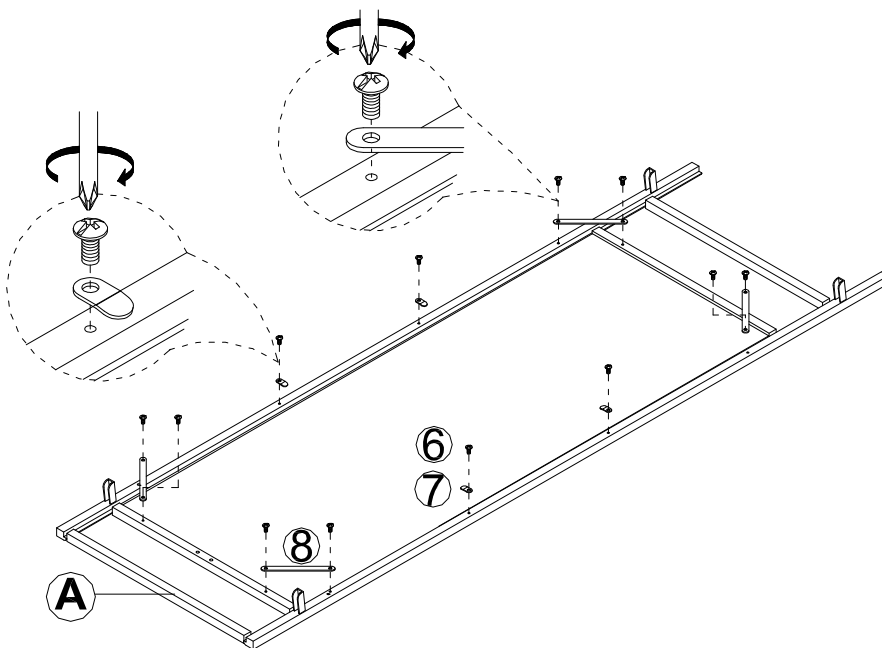


Figure 2

Insert 8pcs Small Bolt (6) through holes on Long Tablet (8) to attach 4pcs Long Tablet (8) onto Front Panel (A) by Tool Required No.2 Phillips Screwdriver (Not Included).

Insert 4pcs Small Bolt (6) through holes on Tablet (7) to attach 4pcs Tablet (7) onto Front Panel(A) by using- No.2 Phillips Screwdriver (Not Included).

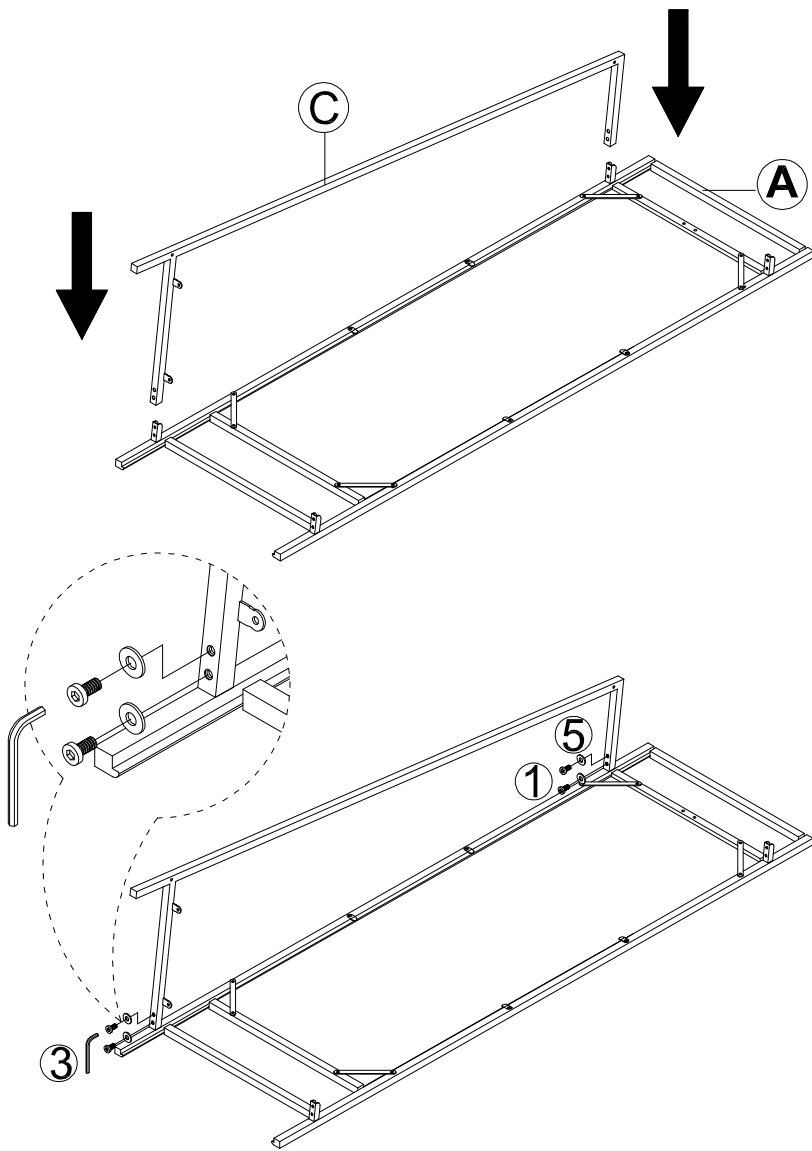


Figure 3

Attach Right Side Panel (C) onto Front Panel (A) as shown.

Insert 4pcs Bolt (1) and 4pcs Flat Washer (2) and then tighten by using Allen Wrench (3).

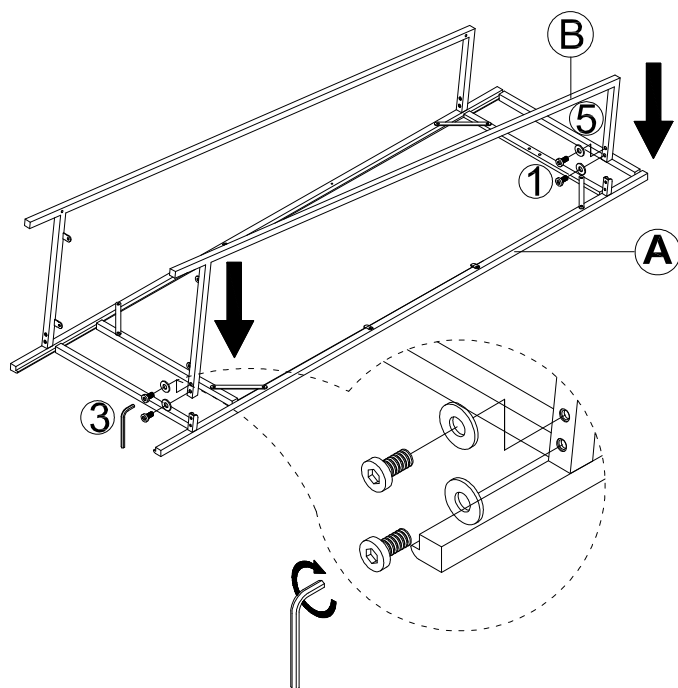


Figure 4

Attach Left Side Panel (B) onto Front Panel (A).

Insert 4pcs Bolt (1) and 4pcs Flat Washer (2) tighten by using Allen Wrench (3).

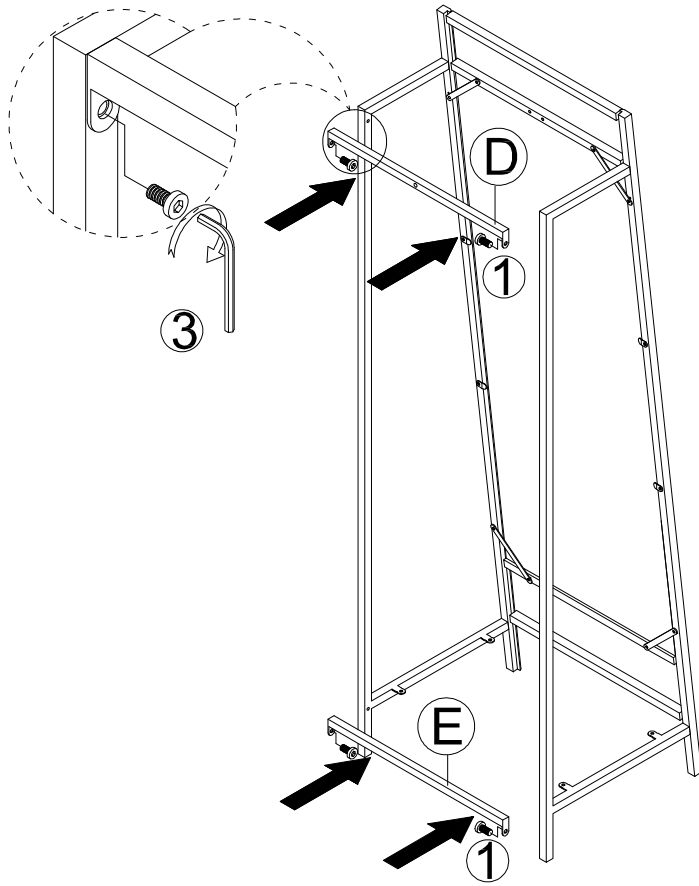


Figure 5

Insert 2pcs Short Bolt (1) through holes on Metal Tube (D) to attach Metal Tube (D) onto both side Panels(B & C) by Allen Wrench (3).

Insert 2pcs Short Bolt (1) through holes on Bottom Metal Tube (E) to attach 1pc Bottom Metal Tube (E) onto both side Panels(B & C) by using Allen Wrench (3).

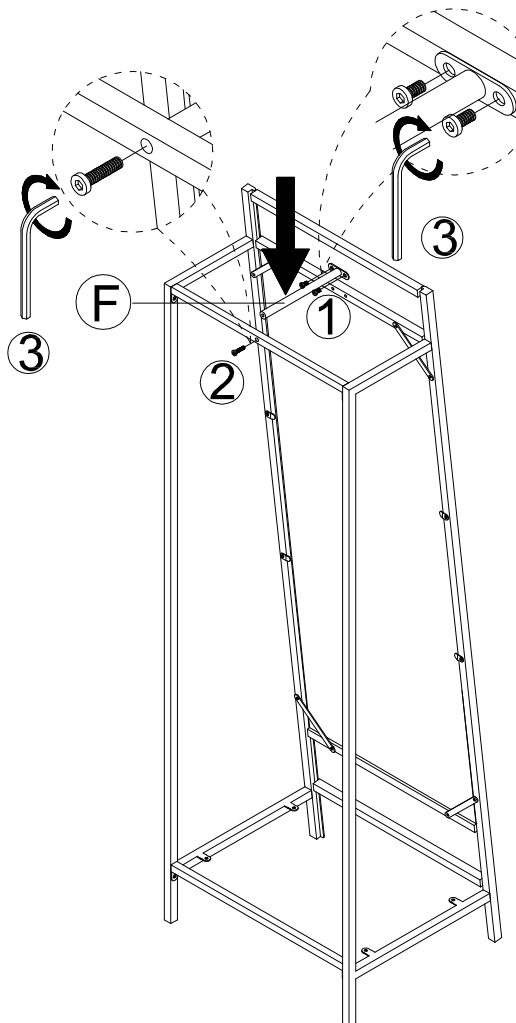


Figure 6

Insert 2pcs Short Bolt (1) through holes on Handle Divider Tube (F) to attach Handle Divider Tube (F) onto Front Panel (A) by Allen Wrench (3).

Insert 1pc Long Bolt (2) through holes on Metal Tube (D) to attach Handle Divider Tube (F) onto Metal Tube(D) by Allen Wrench (3).

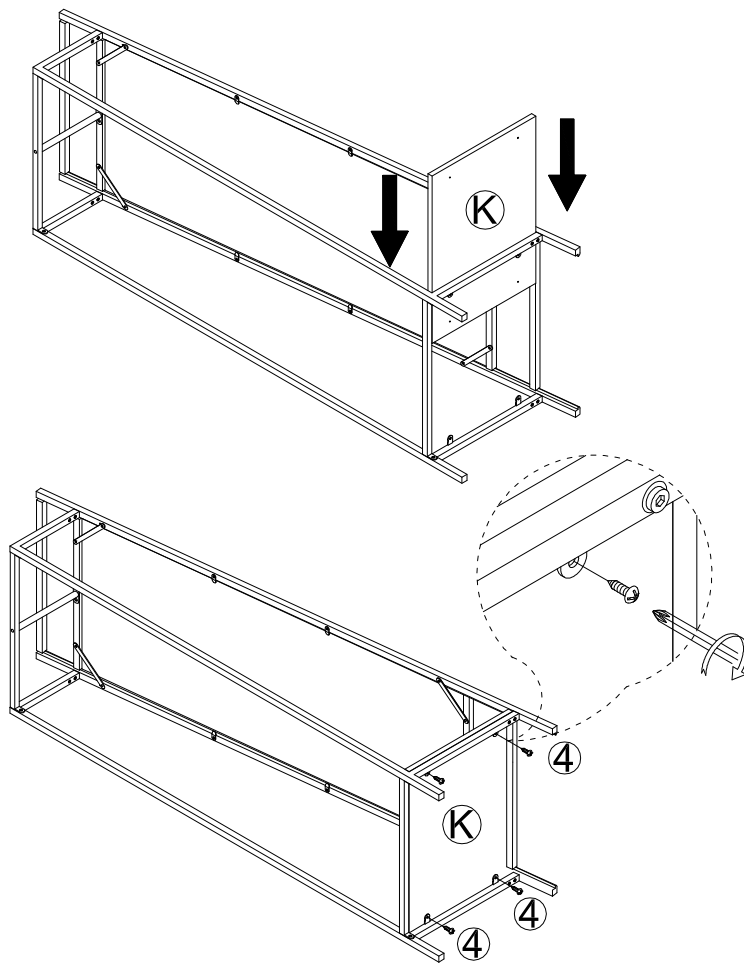


Figure 7

Slowly push the Wood Shelf Panel (K) into the both side Panels (B & C) by hand

Insert 4pcs Wood Screw (4) through holes on both side panels (B & C) to attach Wood Shelf Panel (K) onto both Side Panels (B & C) by Tool Required - No.2 Phillips Screwdriver (Not Included).

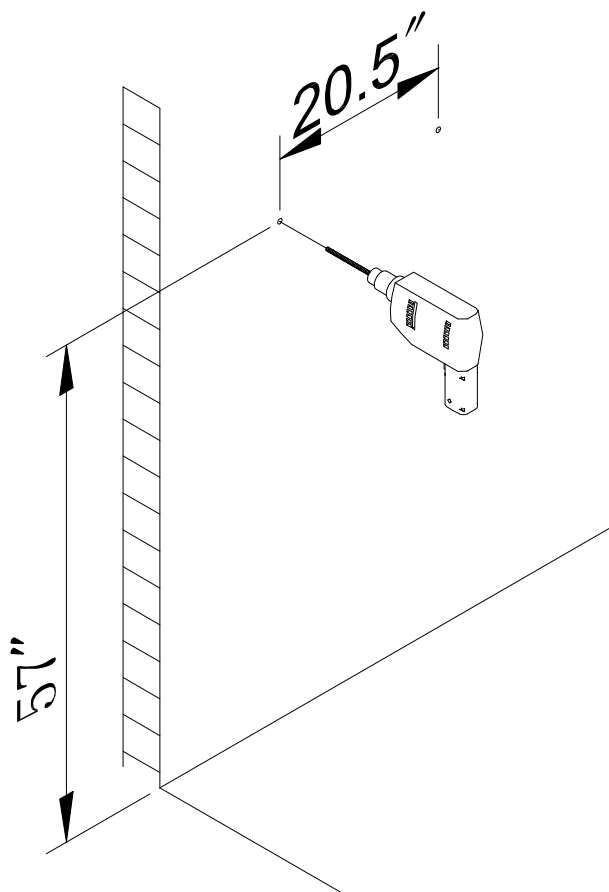
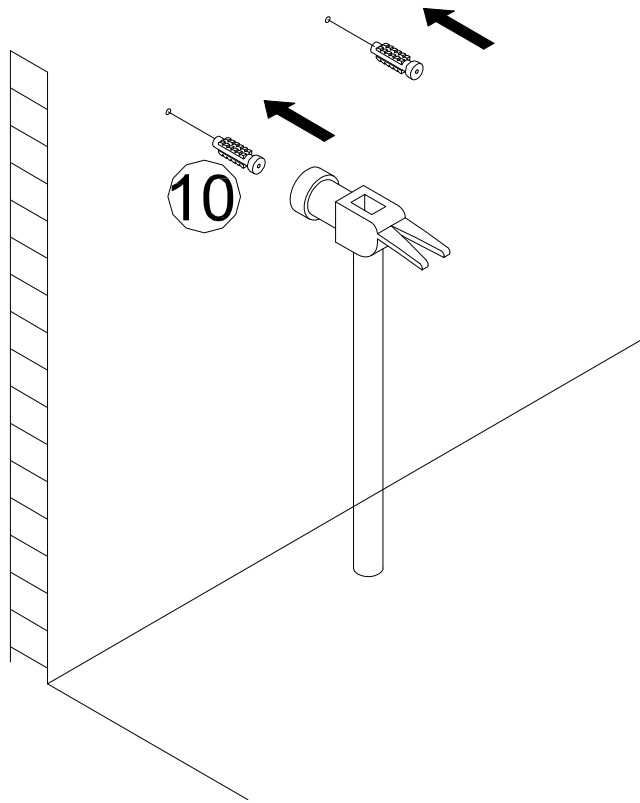


Figure 8

Find a desired location. Mark 2 locations for screws on wall

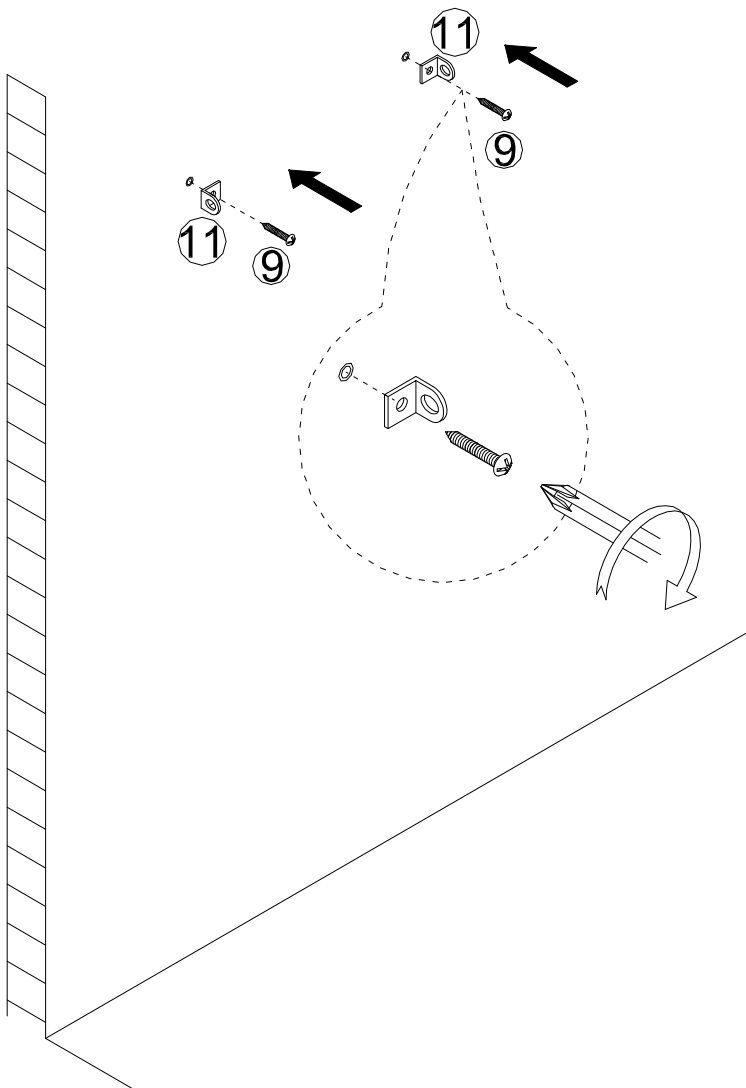
One screw (for each unit) must be attached directly into a wall stud. Wall anchor is not needed when mounting to wall stud.

Drill one of the marking 3/16" hole (for each unit).



Insert plastic anchors(10) into the hole on wall as shown.(When doing this, you will need a hammer to help you)

Figure 9



Using the Phillips head screwdriver, install screw (9) through holes on Wall Brackets (11) into Wall Anchors to attach Wall Brackets (11) onto Wall Anchors (10).

Figure 10

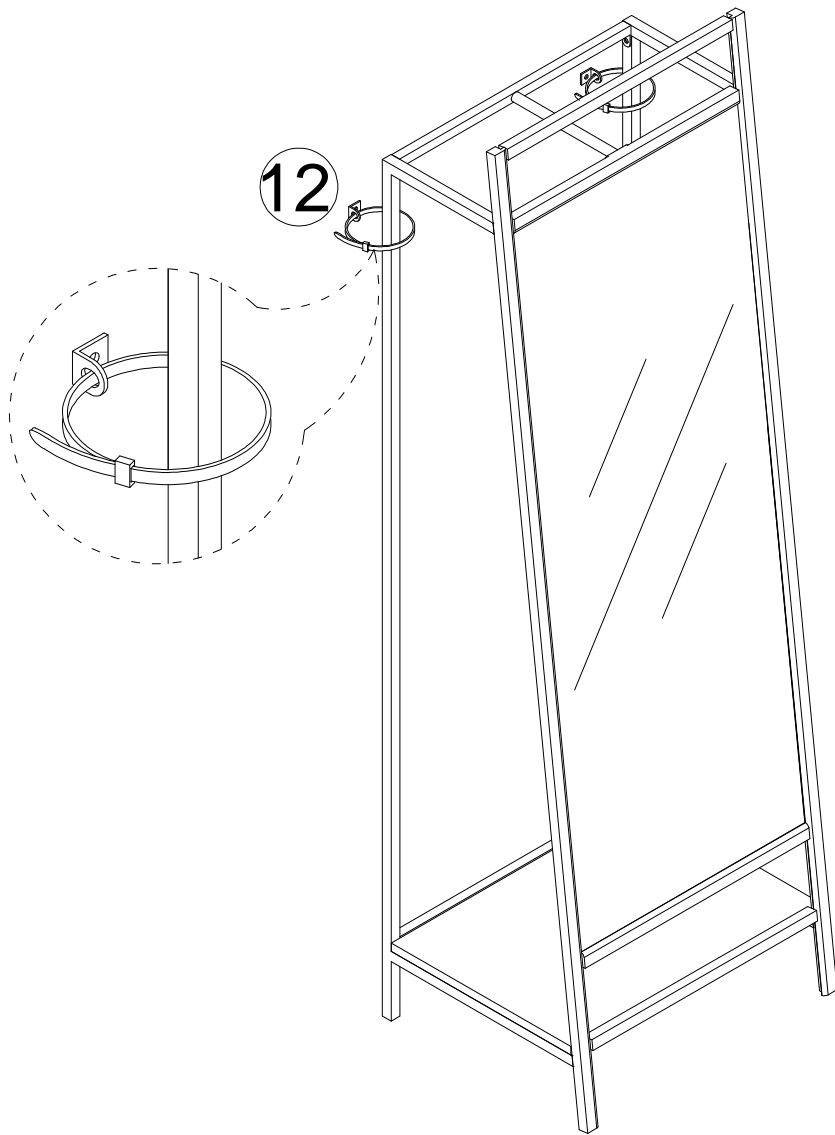


Figure 11

Move this item close to the fastened wall brackets and tie in brackets and side frame with plastic straps(12) as shown in diagram.

Check to make sure the strap is securely laced and locked to the brackets.

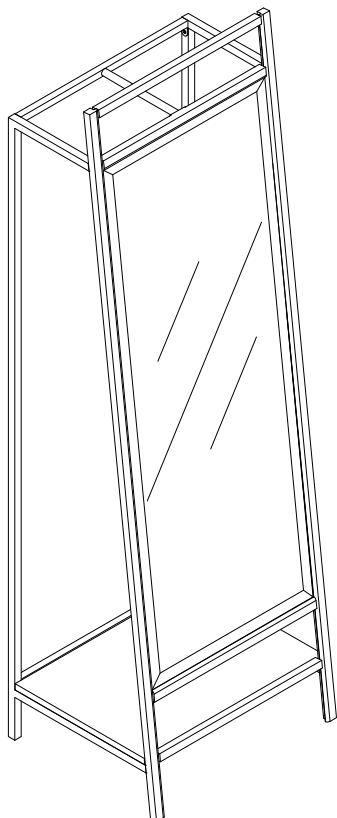


Figure 12

Now your Drake Mirror/Hidden Coat Rack is ready to use!

Parts Replacement Form

Customer Information

Name

Address

City/State/Zip Code

Phone Number

Please indicate where you purchased this item: Store/Website/Catalog

Please indicate color/size/style number:

Style No

Parts Letter

Parts Description

Quantity Needed

Please immediately examine this product carefully. Any request for missing parts or damage replacement must be received within 90 days of your receipt of the product. Replacement, if available, will be honored within this time frame. Parts will not be available for items arriving fully assembled. We do not recommend modifying product(s) and we are not responsible for any damages due to product modification(s). If damages or missing parts are not reported within 90 days of your receipt, we are under no obligation to provide parts or replacement merchandise.

Please contact Southern Enterprises at 800-633-5096 or in Dallas 972-869-0111/ 9am – 4pm Mon-Fri Central time if you have product issues or email us at service@seidal.com. Please ask for customer service representative for issues involving damages or replacement parts. Please ask for technical assistance representative for any issues with product and assembly/construction.

Please contact the retailer that you purchased from for returns.



Southern
ENTERPRISES

Customer Service 1-800-633-5096

service@seidal.com

Southern Enterprises, Inc.

600 Freeport Parkway, Suite 200

Coppell, Texas 75019