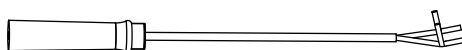
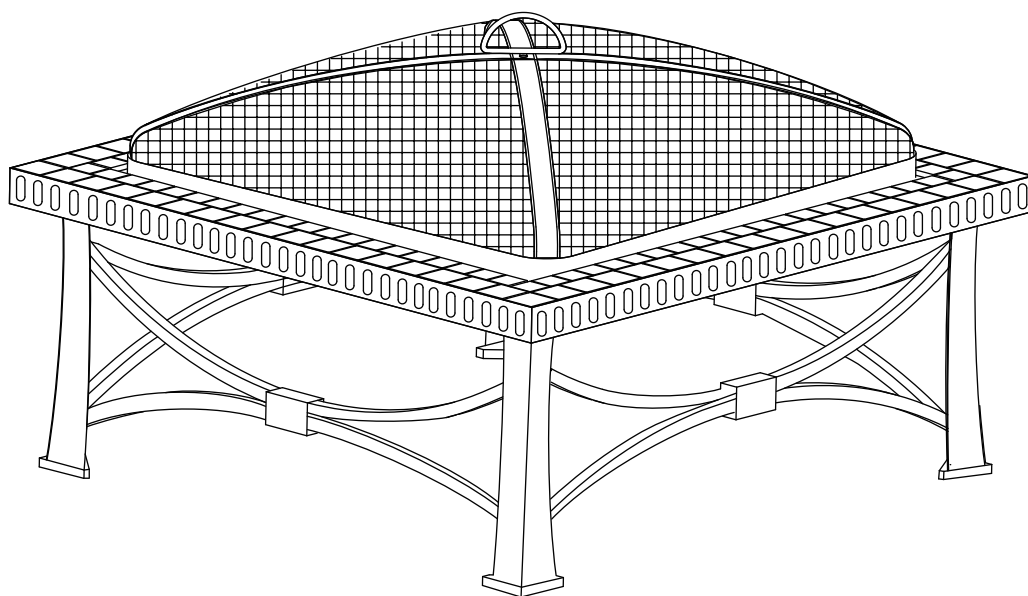


C R O S L E Y
O U T D O O R

CO9006A



INSTRUCTION MANUAL

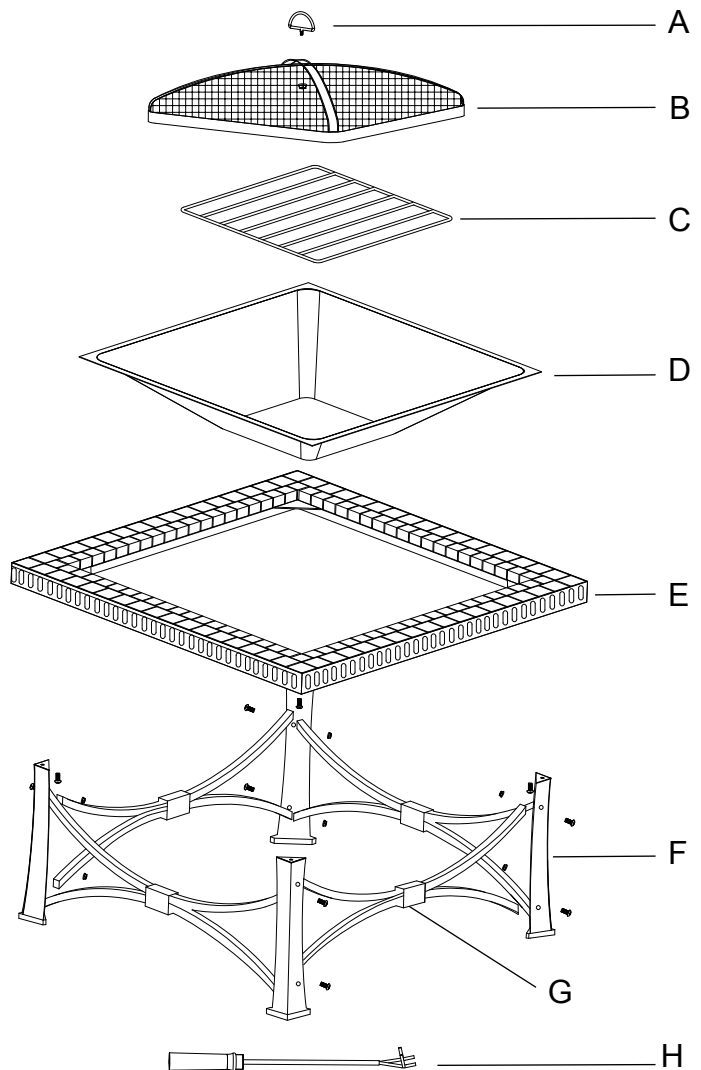
Assembly Instructions

WARNINGS:

- This fire bowl is intended for outdoor use only. Do not use on wooden decks.
- This fire bowl is intended to burn wood logs only. Do not burn coal, leaves, or other combustible materials in the fire bowl.
- Not for use by children. Keep children and pets away from the fire bowl.
- The fire bowl is hot. Use with caution. Do not touch the hot fire bowl with bare hands.
- Never leave the burning fire bowl unattended, and always extinguish the fire completely before leaving the fire bowl.
- Do not use near flammable or combustible objects or materials.
- When the fire bowl is in use, the handle on the mesh screen can reach extreme temperatures that can cause serious injury to an unprotected hand. Use a poker or an appropriate heat resistant glove or pad when handling.
- Check local fire regulations and municipal by-laws for safe use.
- Ensure all ashes are completely cool before removal.
- Wear gloves during assembly.

PARTS LIST

No.	PARTS	Qty
A	Handle	1
B	Mesh Cover	1
C	Grate	1
D	Fire Bowl	1
E	Slate Top	1
F	Leg	2
G	X Decoration	2
H	Poker	1



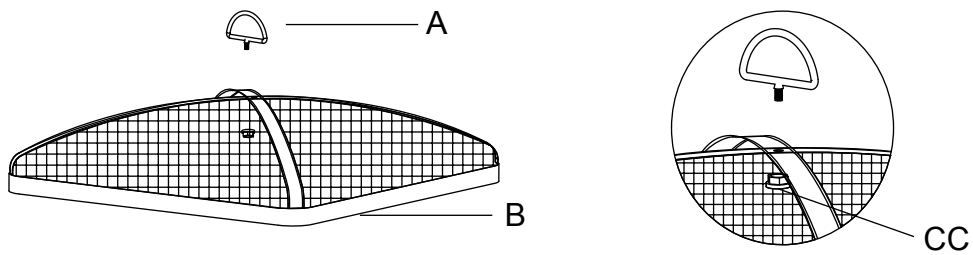
HARDWARE LIST

No.	Hardware	Qty
AA	M6 x 10mm bolt	4
BB	M6X 18mm bolt	8
CC	M6 Nut	9

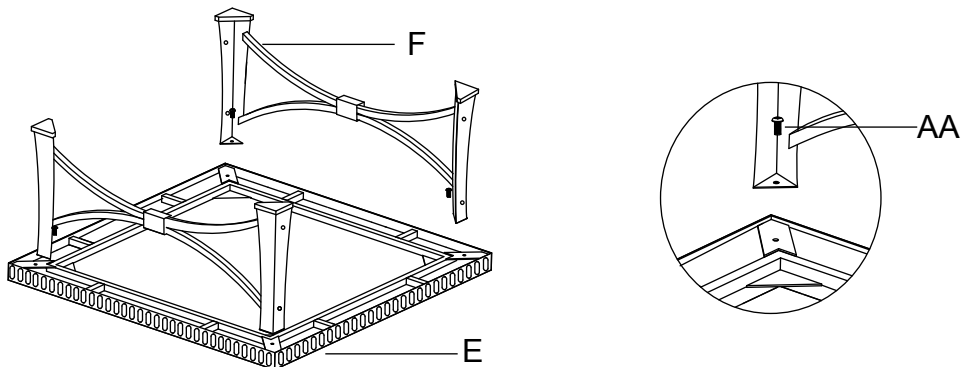
Note: You will need a screwdriver to help with the assembly.

Assembly Step

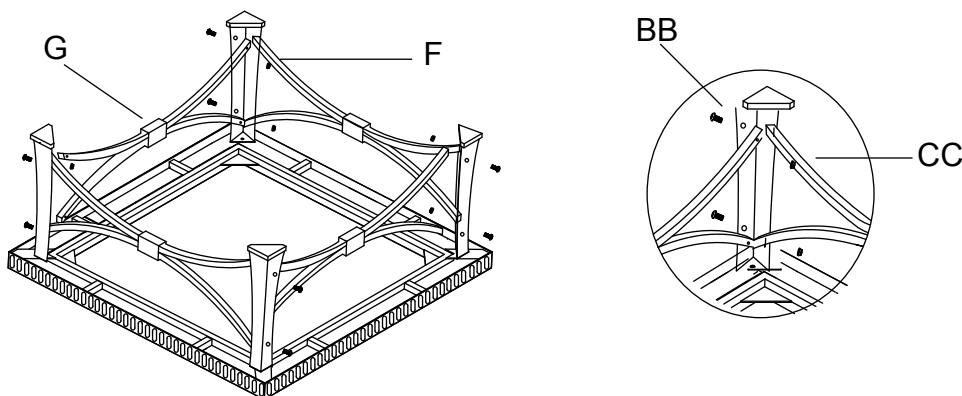
Step 1: Attach the Handle (A) to the Mesh Cover (B) using M6 Nut (CC).



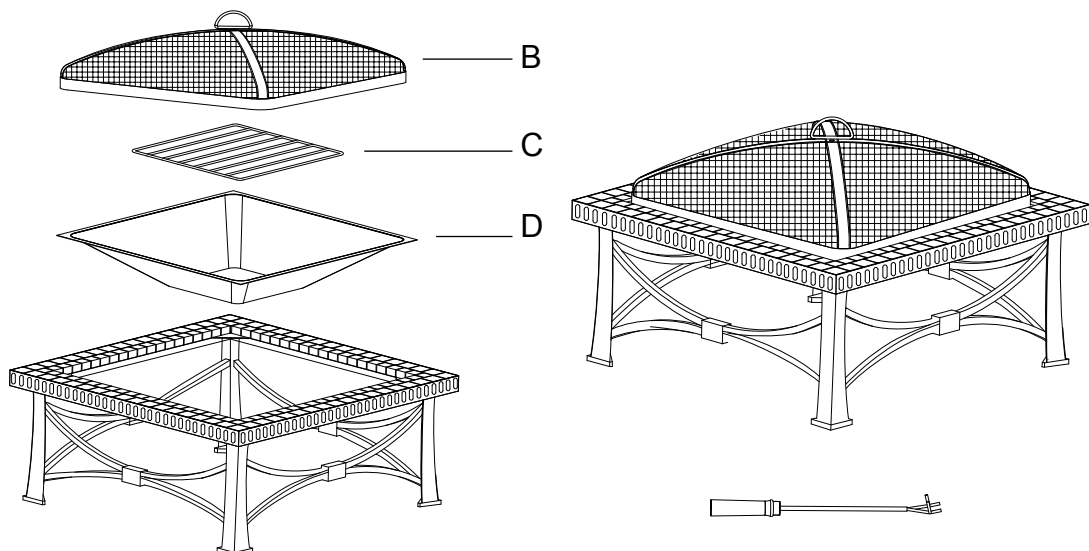
Step 2: Place the Slate Top (E) upside down on a soft surface. Connect the Legs (F) to the Slate Top (E) using M6 x10mm bolts (AA).



Step 3: Connect the X Decorations (G) to the Leg (F) using M6 x 18mm bolts (BB) and M6 nuts (CC).



Step 4: Place the Fire Bowl (D), Grate (C) and Mesh Cover (B) into the assembly base. The fire pit is now ready for use.



LIMITED MANUFACTURERS WARRANTY

Crosley warrants the product to be free from defects in material and workmanship under normal use for a period of one year from the original date of purchase. This warranty is not transferable. If the product is determined to be defective during the warranty period, the unit will be repaired or replaced at Crosley Radio's sole discretion. This warranty covers manufacturing defects and normal consumer use and does NOT cover damage or failure as a result of abuse, accident, alterations, misuse, neglect, abnormal wear and tear, inadequate maintenance, commercial or unreasonable use, damage caused by power surges, mishandling, accident, acts of God or attempted repair by an unauthorized service agent. Also not covered are cosmetic damages, cords and antennas.

Should this product fail to function in a satisfactory manner, it is best to first return it to the store or retailer where it was originally purchased. If additional service is still needed, the original purchaser must **FIRST** contact our offices to obtain an RA (Return Authorization) Number.

TO OBTAIN AN RA NUMBER

CALL: **1.888.CROSLEY**

(1.888.276.7539)

Send the unit prepaid to the address below in the original packaging (or reasonable substitute to prevent damage). Clearly mark your RA number on the outside packaging and include the original sales receipt (or a copy) indicating date of purchase, amount paid, and place of purchase. You must also include your full name, shipping address and daytime contact number. Please include a check or money order in the amount of \$19.95, made payable to Crosley Radio, to cover handling and return shipping charges. Returned products will not be shipped to PO Boxes. Crosley Radio will not be responsible for delays or unprocessed claims resulting from a purchaser's failure to provide any or all of the necessary information.

CROSLEY

ATTN: RETURNS DEPT

2001 PRODUCTION DRIVE

Louisville, KY 40299

For additional support: Crosley Consumer Service Department

24 hours a day / 7 days a week

Telephone: 1.888.CROSLEY (1.888.276.7539)

There are no express warranties except as listed above.

The purchaser's bill of sale is the only proof of warranty entitlement.

This warranty gives the purchaser specified legal rights in addition to any rights which may vary from state to state.

In accordance with the "Moss-Magnuson Warranty Act" of July 10, 1975, this is termed a "limited warranty" which in no way compromises Crosley Radio's high standards of quality and workmanship.