



# ENGINEERING EXCELLENCE

Americana Series #2AM400

SPECIFICATION SHEET

### DESCRIPTION

- Two Handle Kitchen Faucet
- Metal Lever Handles
- Spout Swivel 360 °
- 8-11/16" Reach, 10-1/4" from Deck to Aerator
- Ceramic Disc Cartridges
- 1-Hole Installation
- Decorative Escutcheon

### FINISHES

- PC PVD Polished Chrome
- BN PVD Brushed Nickel
- SS PVD Stainless Steel
- PN PVD Polished Nickel
- PB PVD Polished Brass
- GR PVD Golden Rose
- ORB Oil Rubbed Bronze
- TB PVD Tuscany Bronze



#2AM400 SHOWN \* ADA 

### STANDARDS APPLICABLE

- ASME A112.18.1
- ANSI A117.1
- ANSI / NSF 61, SECTION 9
- CUPC / IAPMO LISTED / ADA COMPLIANT
- CONTAINS NO MORE THAN 0.25% WEIGHTED AVERAGE LEAD CONTENT

### FLOW

- Aerator Limited to 1.5 GPM

Model #: \_\_\_\_\_

Specific Features: \_\_\_\_\_

Project Name: \_\_\_\_\_

Submitted For: \_\_\_\_\_

Model	Description	Finishes
#2AM400	Two Handle Kitchen Faucet	<input type="checkbox"/> PC <input type="checkbox"/> Other _____



ENGINEERING EXCELLENCE

Pioneer:1-800-338-9468  
 Commerce, CA 90040  
 www.pioneerind.com  
 Pioneer Industries, Inc. © 2013

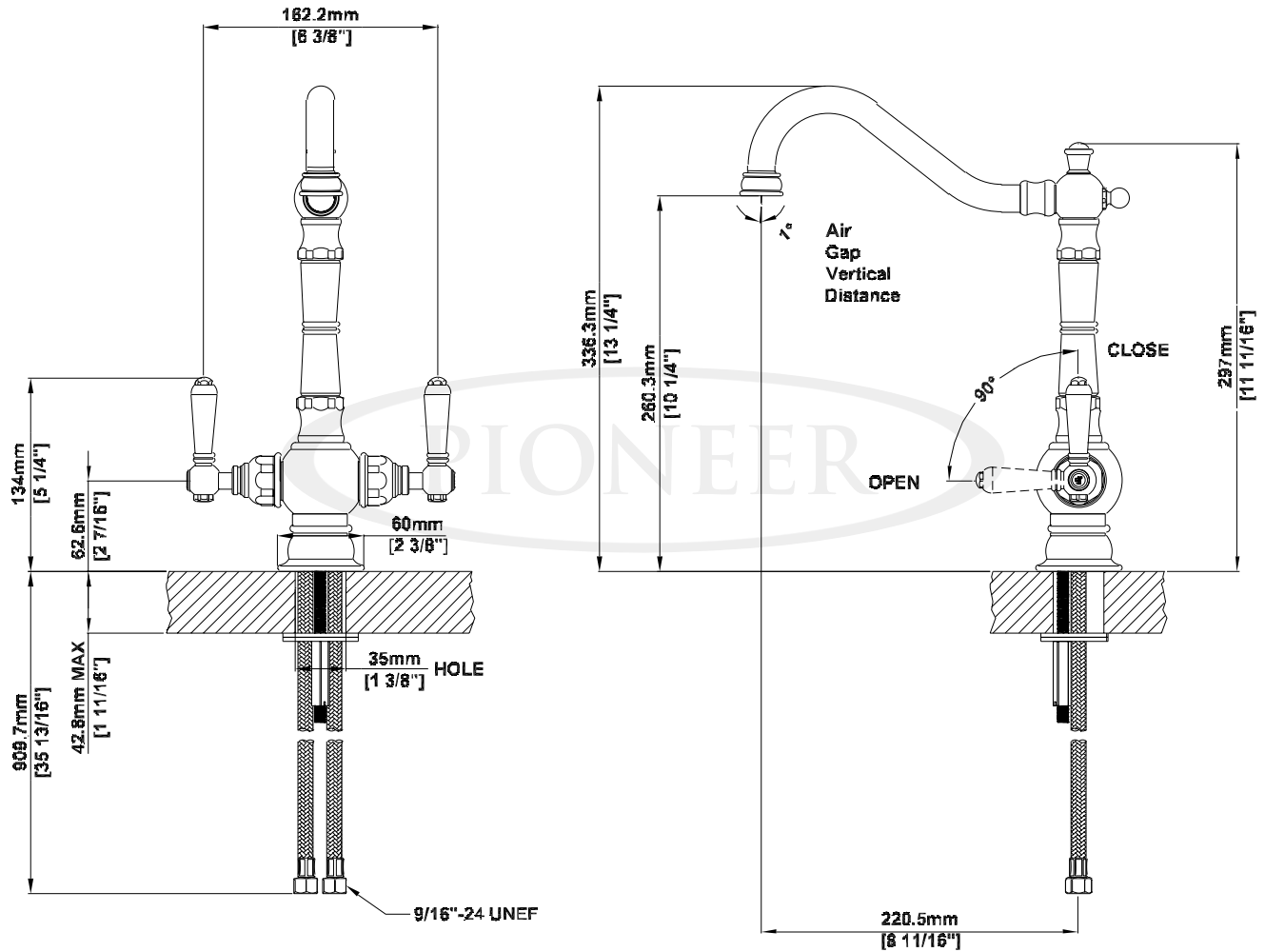
DMSP2AM400/REV. 12 2012

Page 1 of 2

**Installation Note:**

Faucet Hole Size:- 1-1/2"

Maximum Deck Thickness:- 1-11/16"



Product Diagram



ENGINEERING EXCELLENCE

Pioneer:1-800-338-9468

Commerce, CA 90040

www.pioneerind.com

Pioneer Industries, Inc. © 2013