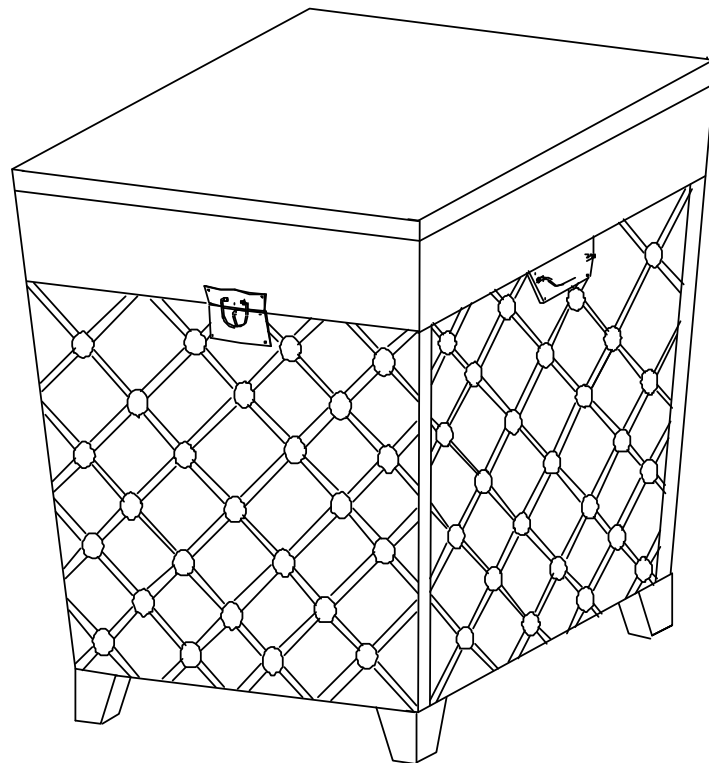


CK622500TX  
Nailhead End Table Trunk  
Assembly Instruction



For assistance with assembly contact:  
Southern Enterprises Inc.  
Customer Service 1-800-633-5096  
[service@seidal.com](mailto:service@seidal.com)  
[www.seidal.com](http://www.seidal.com)

Max top load           lb.  
Max load inside trunk   lb.



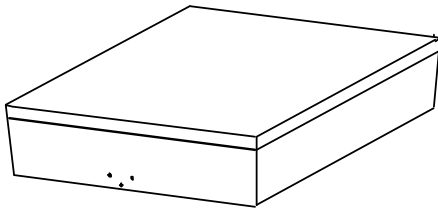
# CK622500TX

## Nailhead End Table Trunk

### Parts List

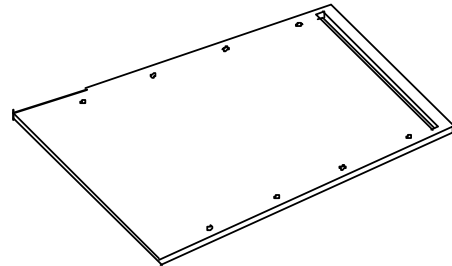
Please review all parts and hardware before disposing of any packaging.  
Call Customer Service if missing hardware. Do not return to store/retailer.  
Screws shown actual size. Using a screw that is too long will cause damage.  
Before beginning assembly, separate each type of screw. Carefully study  
the screw diagrams below (SHOWN ACTUAL SIZE).

**A** **1 PC**



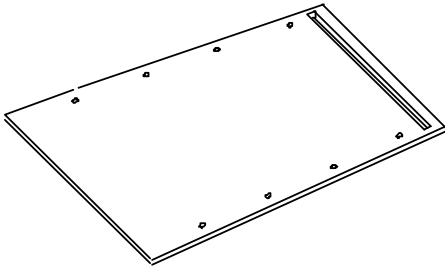
Top

**B** **1 PC**



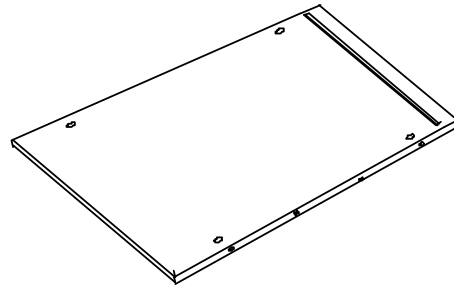
Front panel

**C** **1 PC**



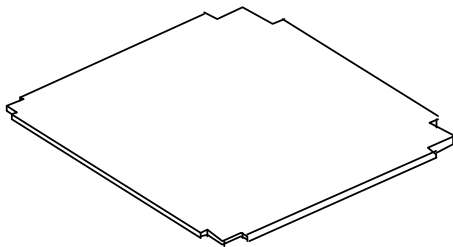
Back panel

**D** **2 PCS**



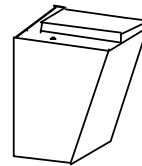
Side panel

**E** **1 PC**

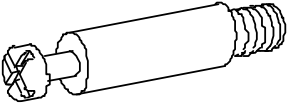

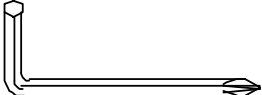

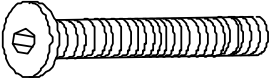
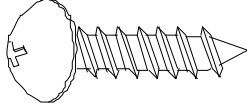
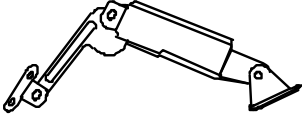
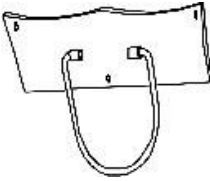
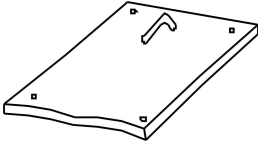
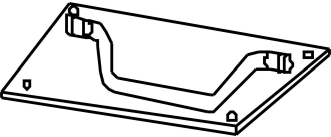
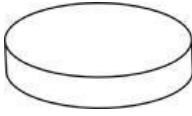
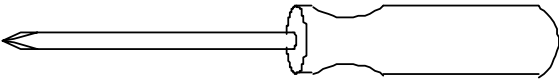


Bottom panel

**F** **4 PCS**

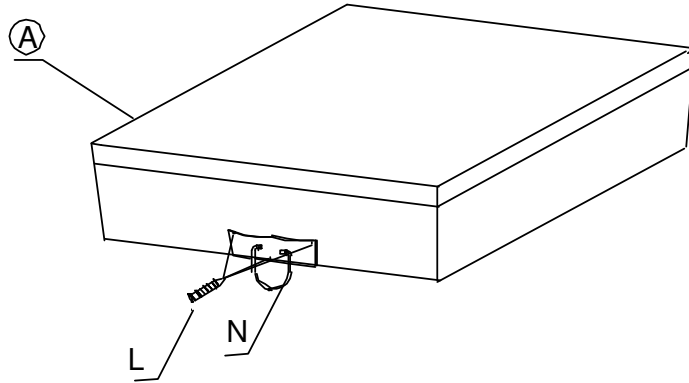


Leg

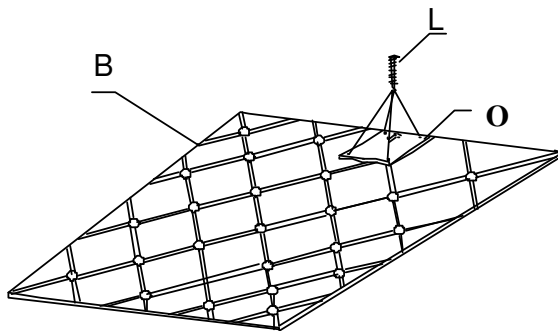
<p><b>G</b> <b>8 PCS</b></p>  <p><b>Small Cam Screw</b> φ6.8 x 36mm</p>	<p><b>H</b> <b>8 PCS</b></p>  <p><b>Small Cam Lock</b> φ15 x 12mm</p>	<p><b>I</b> <b>1 PC</b></p>  <p><b>Wrench</b></p>
<p><b>J</b> <b>8 PCS</b></p>  <p><b>Dowel</b> 8 x 30mm</p>	<p><b>K</b> <b>8 PCS</b></p>  <p><b>Bolts</b> 1/4" x 2-3/4"</p>	<p><b>L</b> <b>25 PCS</b></p>  <p><b>Screws</b> 3.5 x 16mm</p>
<p><b>M</b> <b>1 PC</b></p>  <p><b>Support</b></p>	<p><b>N</b> <b>1 PC</b></p>  <p><b>Handle-A</b></p>	<p><b>O</b> <b>1 PC</b></p>  <p><b>Handle-B</b></p>
<p><b>P</b> <b>1 PC</b></p>  <p><b>Handle</b></p>	<p><b>Q</b> <b>10 PCS</b></p>  <p><b>Sponge Cushion</b></p>	
<p><b>Care and Cleaning Instructions:</b> Before using, wipe with a clean, dry cloth. Periodical y apply furniture wax to renew the finish. Avoid rubbing or scratching the surface with rough or abrasive objects.</p>		<p>For replacement parts or questions, please call Customer Service at 1-800-633-5096. Do not return product to store. Please call manufacturer for assistance, questions or parts.</p>
<p><b>Assembly Tool Required</b> <b>No.2 Phillips Screwdriver</b></p>		

# CK622500TX

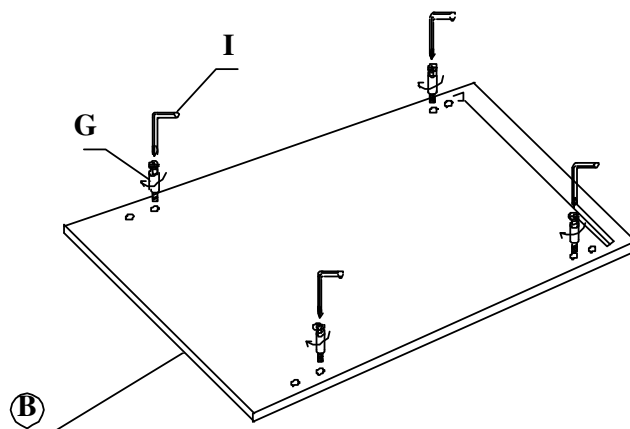
## Nailhead End Table Trunk Assembly Instructions



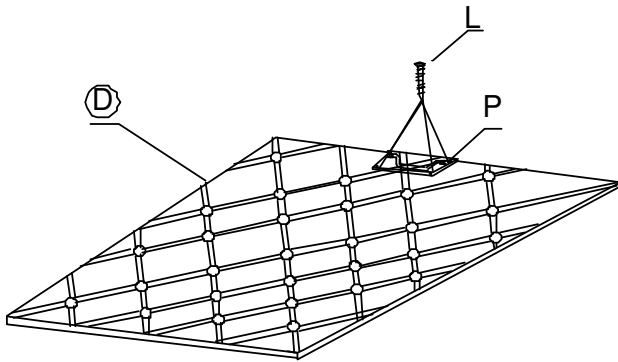
**Step 1:**  
Put all parts on a soft surface to prevent scratches, attach handle-A (N) to the top (A) by using screw (L) and phillips screwdriver to tighten it as shown.



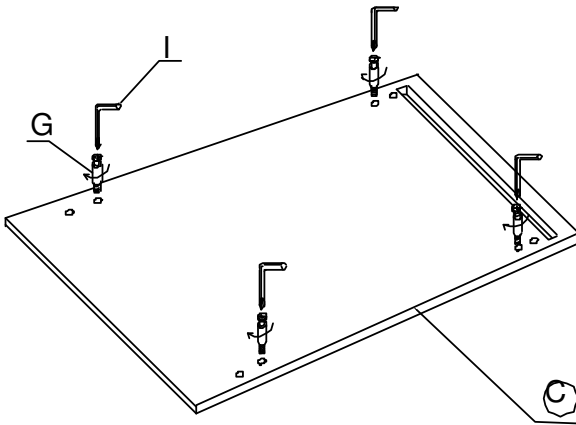
**Step 2:**  
Attach handle-B (O) to front panel (B) by using screw (L) and phillips screwdriver to tighten it as shown.



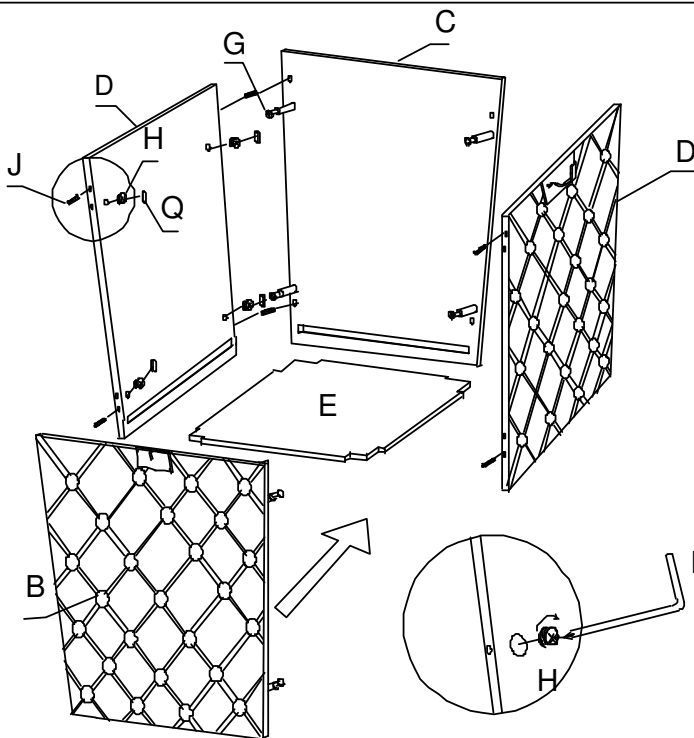
**Step 3:**  
Screw small cam screw (G) into front panel (B) as shown.



**Step 4:**  
 Attach handle (P) to side panel (D) by using screw (L) and phillips screwdriver to tighten it as shown



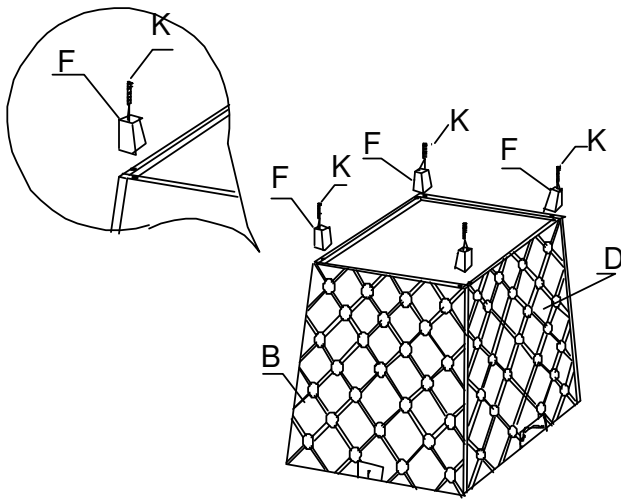
**Step 5:**  
 Screw small cam screw (G) into back panel (C) as shown.



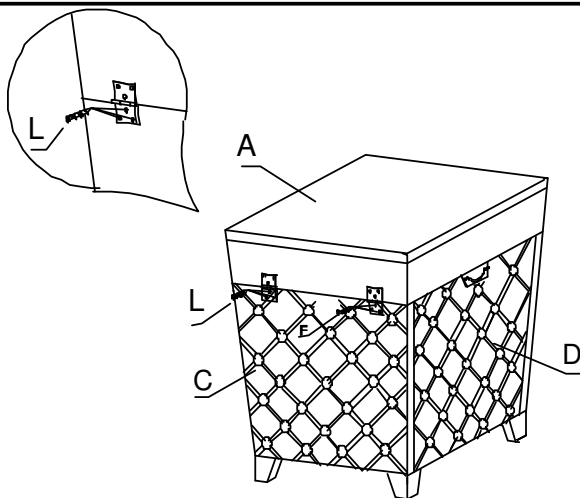
**Step 6:**  
 Insert dowel (J) into to side panel (D) as shown.

Then combining side panel (D), front panel (B), back panel (C) and bottom panel (E) together by using small cam screw (G), small cam lock (H), dowel (J) and sponge cushion (Q) as shown.

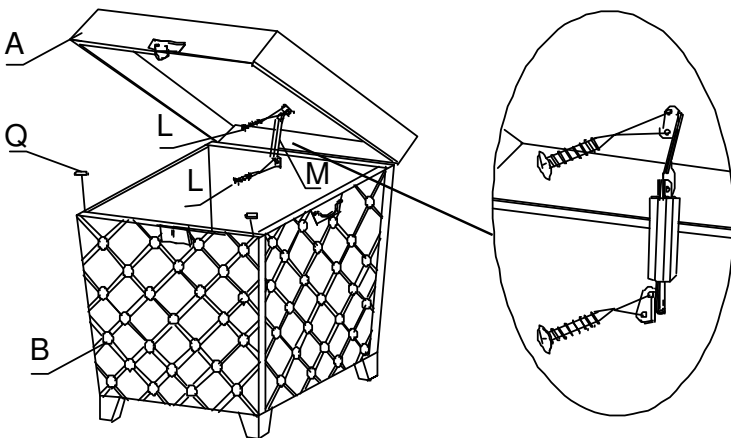
Please make sure the edges of bottom panel (E) are inserted into the groove of all panels.



**Step 7:**  
 Turn the trunk base up side down and attach leg (F) to the bottom of trunk by using screw (K) as shown.



**Step 8:**  
 Attach top (A) to the trunk base by using screw (L) and phillips screwdriver to tighten it as shown.



**Step 9:**  
 Open the top (A), attach support (M) to the top (A) and trunk base by using screw (L) as shown.

Then put sponge cushion (Q) on front panel (B) as shown, close the top and leave the top to drop down slowly.



Customer Service 1-800-633-5096

service@seidal.com

Southern Enterprises, Inc.

2915 Merrell Road

Dallas, Texas 75229

We'd love to hear from you! Email us photos of our products in your home at [sei@seidal.com](mailto:sei@seidal.com) and we might feature it on our site or use it to model one of our inspirational photos.

**“ PARTS WILL BE SENT IF AVAILABLE FORM SEI “**

Parts Replacement Form			
Customer Information			
Name	_____		
Address	_____		
City/State/Zip Code	_____		
Phone Number	_____		
Please indicate where you purchased this item: Store/ Website/ Catalog			
_____			
Please indicate color/size/style number:			
_____			
_____			
Style No	Parts Letter	Parts Description	Quantity Needed

Missing or damaged hardware and/ or parts will be replaced free of charge. We do not sell parts. Southern Enterprises Inc. will provide replacement parts for only those items purchased within the last 9 months. If this product has not been purchased from our retail affiliates (within 9 months), we are under no obligation to provide parts or replacements merchandise. Parts will not be available for items arriving fully assembled.



Customer Service 1-800-633-5096  
[service@seidal.com](mailto:service@seidal.com)  
Southern Enterprises, Inc.  
2915 Merrell Road  
Dallas, Texas 75229