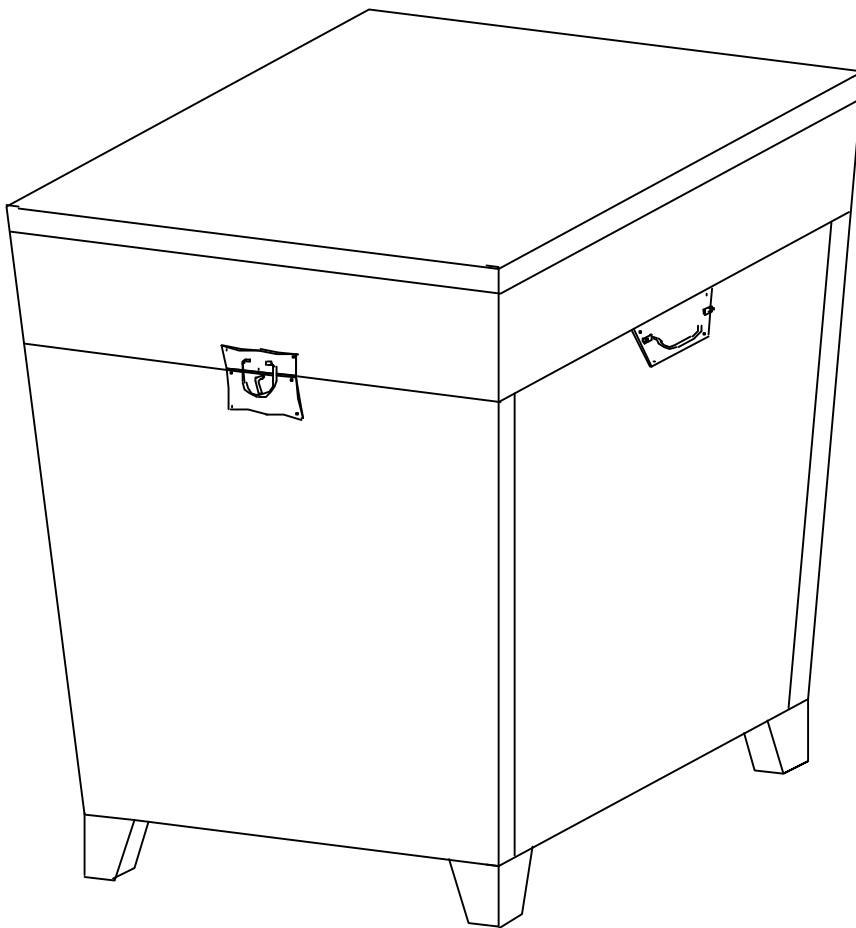


CK222500TX
Espresso Pyramid End Table
Assembly Instruction



For assistance with assembly contact:
Southern Enterprises Inc.
Customer Service 1-800-633-5096
service@seidal.com
www.seidal.com

Max top load 40 lb.
Max load inside trunk 60 lb.

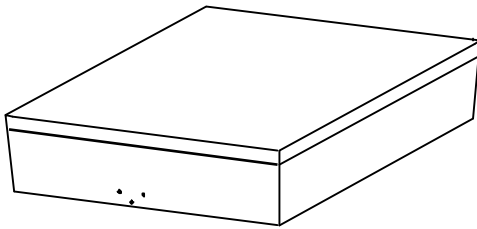


CK222500TX Espresso Pyramid End Table Parts List

Please review all parts and hardware before disposing of any packaging.
Call Customer Service if missing hardware. Do not return to store/retailer.
Screws shown actual size. Using a screw that is too long will cause damage.
Before beginning assembly, separate each type of screw. Carefully study
the screw diagrams below (SHOWN ACTUAL SIZE).

A

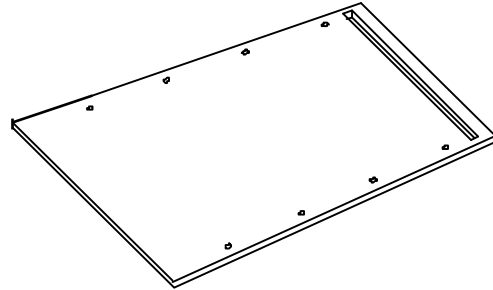
1pc



Top

B

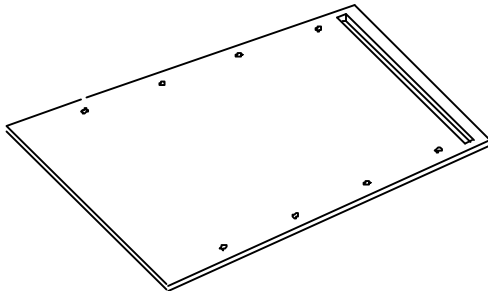
1pc



Front panel

C

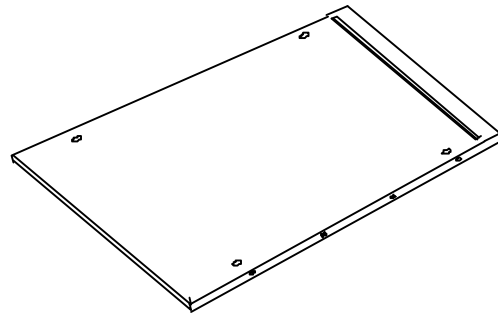
1pc



Back panel

D

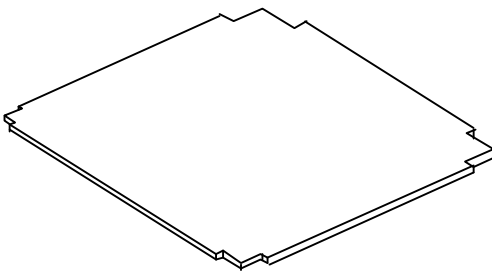
2pcs



Side panel

E

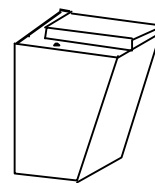
1pc



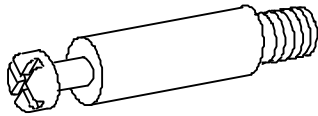


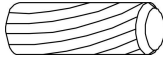
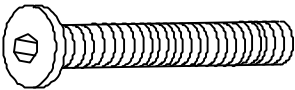
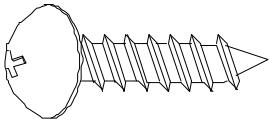
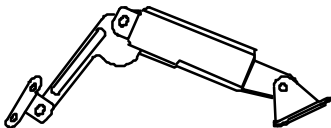
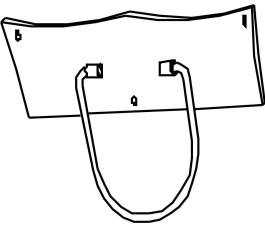
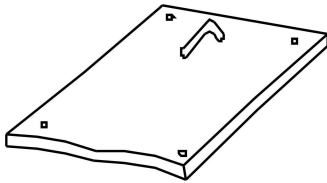
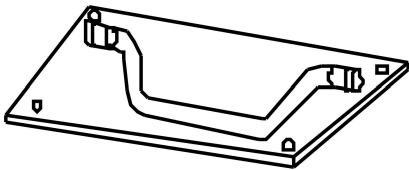
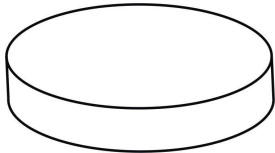
Bottom panel

F

4pcs



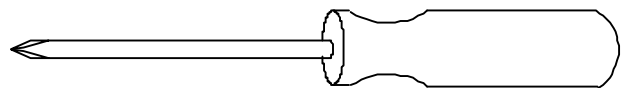
Leg

<p>G 8pcs</p>  <p>Small Cam Screw φ6.8 x 36mm</p>	<p>H 8pcs</p>  <p>Small Cam Lock φ15 x 12mm</p>	<p>I 1pc</p>  <p>Flat Wrench</p>
<p>J 8pcs</p>  <p>Dowel φ8 x 30mm</p>	<p>K 8pcs</p>  <p>Bolts φ1/4" x 2-3/4"</p>	<p>L 25pcs</p>  <p>Screws φ3.5 x 16mm</p>
<p>M 1pc</p>  <p>Support</p>	<p>N 1pc</p>  <p>Handle-A</p>	<p>O 1pc</p>  <p>Handle-B</p>
<p>P 2pcs</p>  <p>Handle</p>	<p>Q 10pcs</p>  <p>Sponge Cushion</p>	

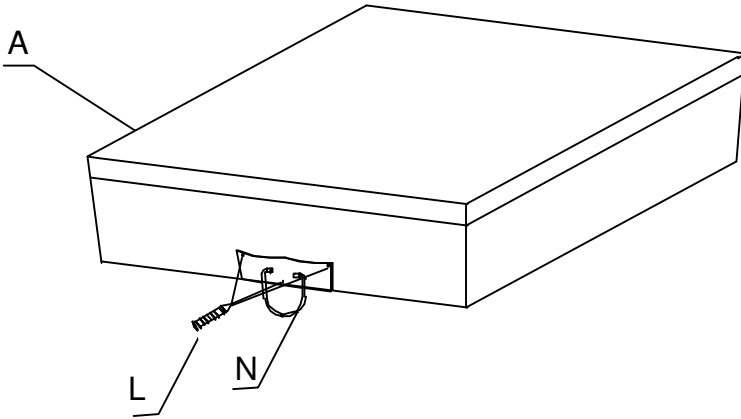
Care and Cleaning Instructions:
 Before using , wipe with a clean , dry cloth.
 Periodically apply furniture wax to renew
 The finish. Avoid rubbing or scratching the
 surface with rough or abrasive objects.

For replacement parts or questions, please
 call Customer Service at 1-800-633-5096.
 Do not return product to store. Please call
 manufacturer for assistance, questions or
 parts.

Assembly Tool Required
No.2 Phillips Screwdriver

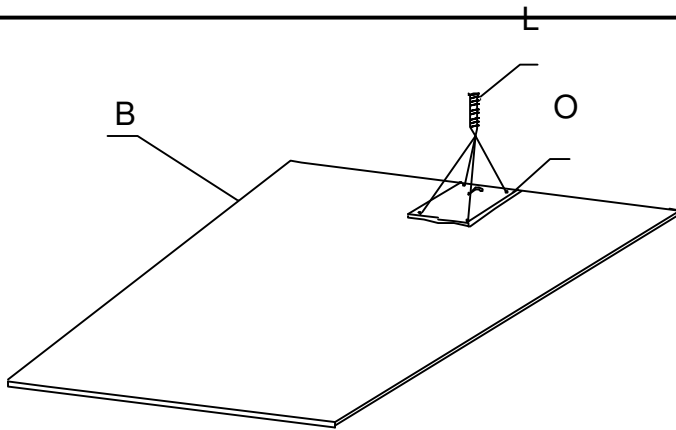


CK222500TX Espresso Pyramid End Table Assembly Instructions



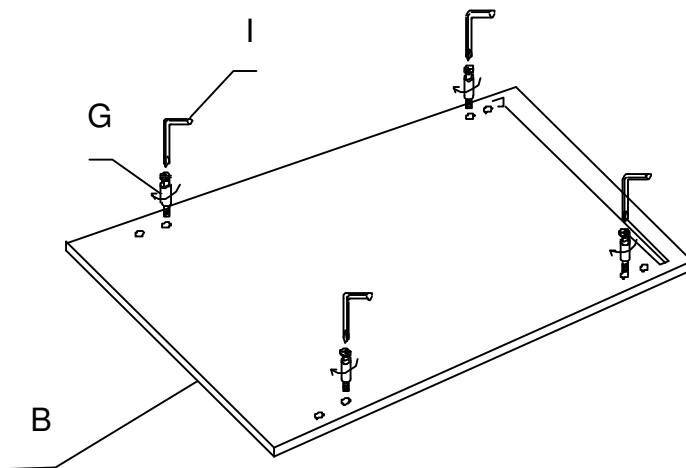
Step 1:

Put all parts on a soft surface to prevent scratches, attach handle-A (N) to the top (A) by using screw (L) and phillips screwdriver to tighten it as shown.



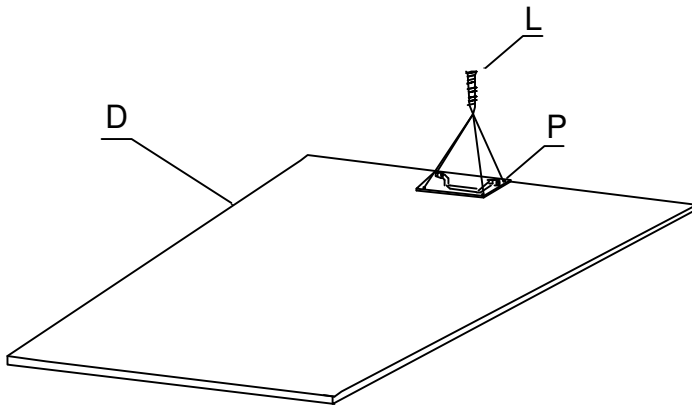
Step 2:

Attach handle-B (O) to front panel (B) by using screw (L) and phillips screwdriver to tighten it as shown.

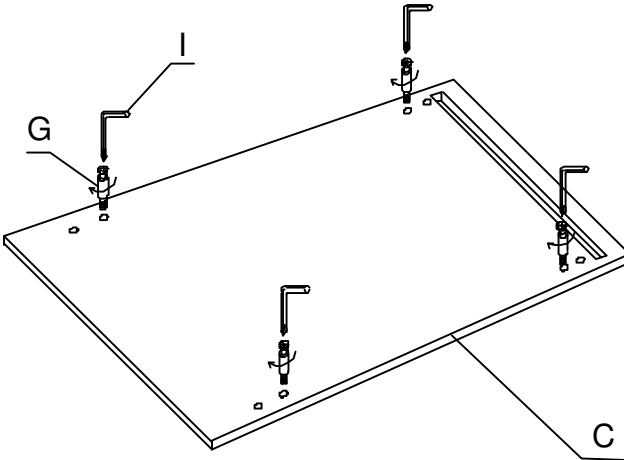


Step 3:

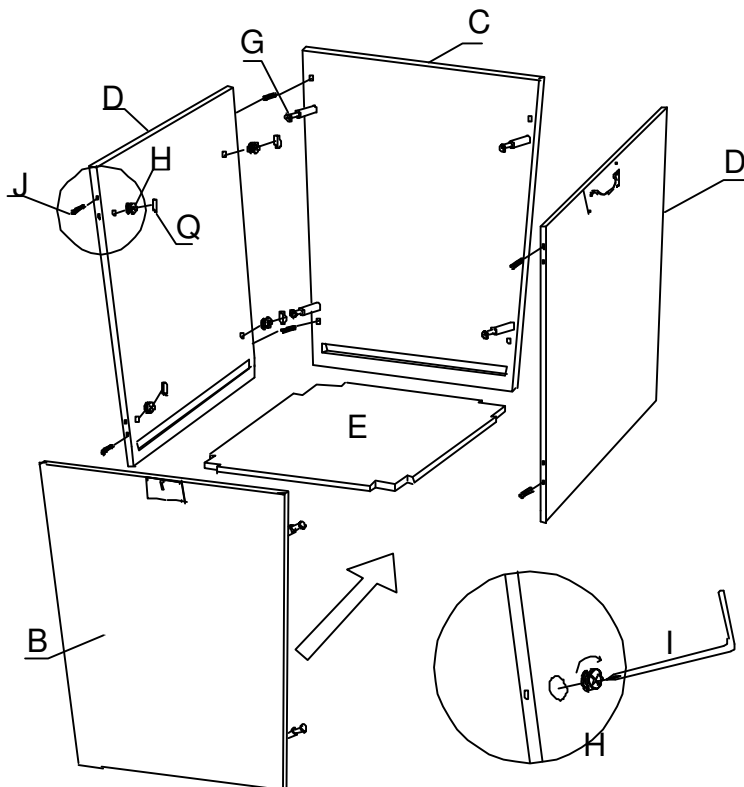
Screw small cam screw (G) into front panel (B) as shown.



Step 4:
Attach handle (P) to side panel (D) by using screw (L) and phillips screwdriver to tighten it as shown.



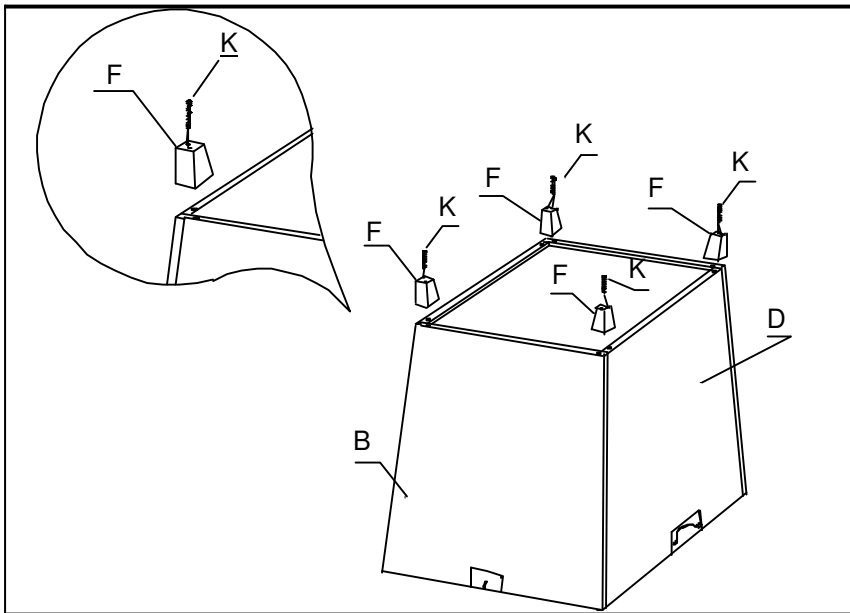
Step 5:
Screw small cam screw (G) into back panel (C) as shown.



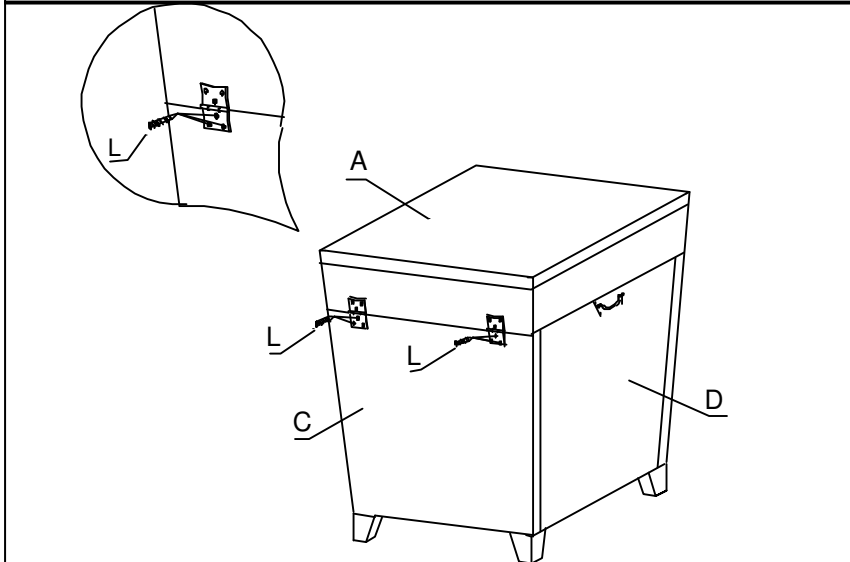
Step 6:
Insert dowel (J) into to side panel (D) as shown.

Then combining side panel (D), front panel (B), back panel (C) and bottom panel (E) together by using small cam screw (G), small cam lock (H), dowel (J) and sponge cushion (Q) as shown.

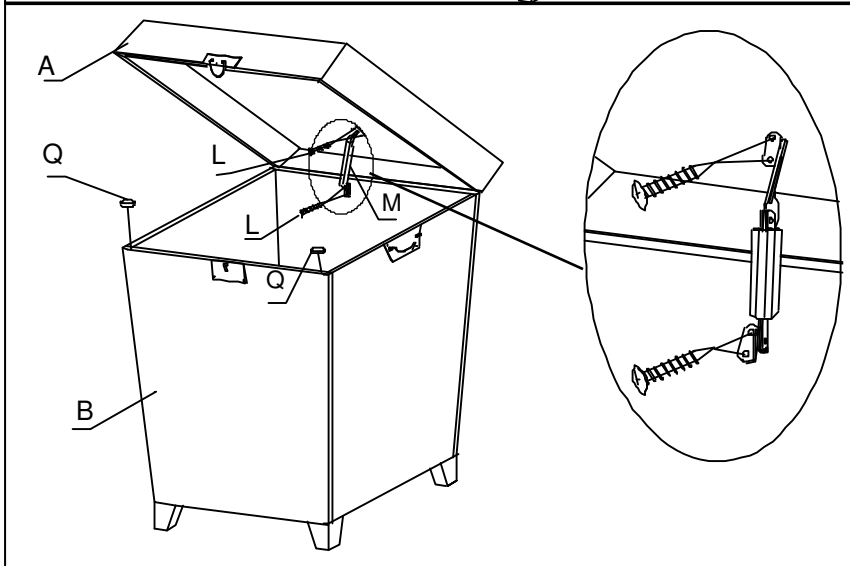
Please make sure the edges of bottom panel (E) are inserted into the groove of all panels.



Step 7:
 Turn the trunk base up side down and attach leg (F) to the bottom of trunk by using screw (K) as shown.



Step 8:
 Attach top (A) to the trunk base by using screw and phillips screwdriver to tighten it as shown.



Step 9:
 Open the top (A), attach support (M) to the top (A) and trunk base by using screw (L) as shown.
 Then put sponge cushion (Q) on front panel (B) as shown, close the top and leave the top to drop down slowly.



Customer Service 1-800-633-5096
 service@seidal.com
 Southern Enterprises, Inc.
 2915 Merrell Road
 Dallas, Texas 75229

We'd love to hear from you! Email us photos of our products in your home at sei@seidal.com and we might feature it on our site or use it to model one of our inspirational photos.

“ PARTS WILL BE SENT IF AVAILABLE FORM SEI “

Parts Replacement Form

Customer Information

Name _____

Address _____

City/State/Zip Code _____

Phone Number _____

Please indicate where you purchased this item: Store/ Website/ Catalog

Please indicate color/size/style number:

Style No	Parts Letter	Parts Description	Quantity Needed

Missing or damaged hardware and/ or parts will be replaced free of charge. We do not sell parts. Southern Enterprises Inc. will provide replacement parts for only those items purchased within the last 9 months. If this product has not been purchased from our retail affiliates (within 9 months), we are under no obligation to provide parts or replacements merchandise. Parts will not be available for items arriving fully assembled.



Customer Service 1-800-633-5096
service@seidal.com
Southern Enterprises, Inc.
2915 Merrell Road
Dallas, Texas 75229