



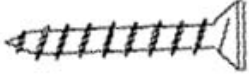
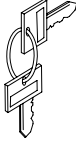
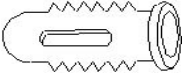
STYLE NO: **VM5060 – MEDIUM OAK**  
**VM5061 – BURGUNDY CHERRY**  
**VM5062 – FROSTY WHITE**  
**VM5063 - NATURAL**

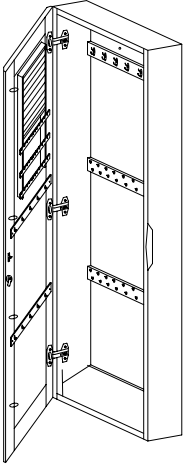
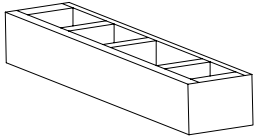
**SOUTHERN ENTERPRISES INC.**

RELAX...If you can follow a few easy, step-by-step directions in order .YOU CAN ASSEMBLE THIS ITEM.

**WALL-MOUNT JEWELRY MIRROR**

**PLEASE FIND HARDWARE IN RED POLYBAG BEFORE DISCARDING PACKING MATERIAL.**

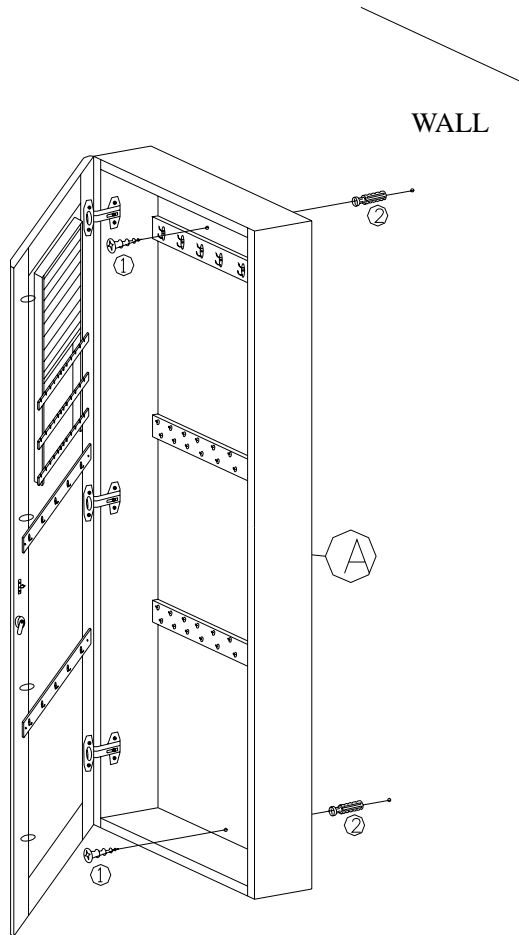
<b>HARDWARE LIST</b>			
(1) WOOD SCREW	2PCS	(3) KEY	2PCS
			
(2) PLASTIC ANCHOR	2PCS		
			

<b>PART LIST</b>			
(A) JEWELRY MIRROR	1PC	(B) WOOD BOX	1PC
			

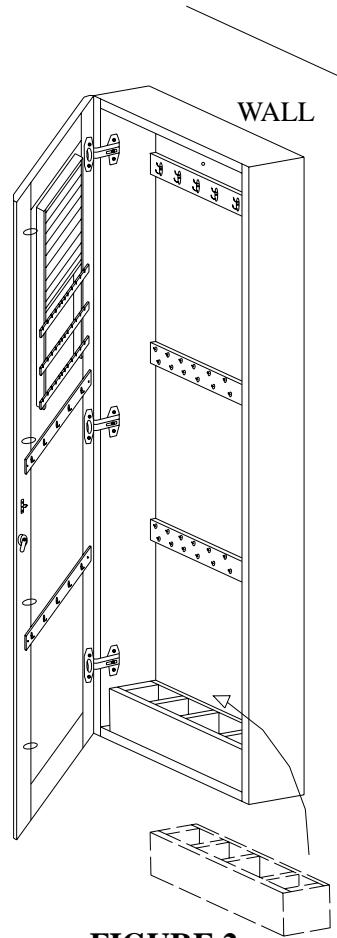
**ASSEMBLY INSTRUCTION**

1. SELECT A SMOOTH, SOFT SURFACE TO PREVENT SCRATCHING FINISH.
2. YOU MAY NEED A PHILLIP SCREWDRIVER.
3. DRILL TWO HOLES ON WALL, THE DISTANCE BETWEEN TWO HOLES SHOULD MATCH THE PREDRILLED HOLES ON BACK OF JEWELRY MIRROR (A). FIT PLASTIC ANCHORS (2) INTO THE HOLES ON WALL. USE SCREWDRIVER TO SCREW WOOD SCREWS (1) THROUGH PREDRILLED HOLES ON JEWELRY MIRROR (A) INTO PLASTIC ANCHORS (2). THEN PLACE THE WOOD BOX (B) INTO THE SPACE OF BOTTOM OF JEWELRY MIRROR (A). AS FIGURE 1 & 2 SHOWN.

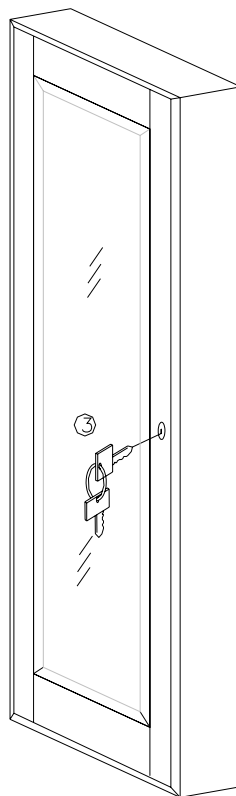
**NOTE: PUSH THE SCREW FROM BACK TO FRONT OF THE UNIT TO CREATE MARKING ON THE FELT-LINE BEFORE HANGING THE UNIT.**



**FIGURE 1**



**FIGURE 2**



**READY**

**YOUR NEW WALL-MOUNT JEWELRY MIRROR IS FINISHED AND READY TO USE.**

Please count, identify and compare parts and hardware list to be sure all parts are present. It may help to divide parts and label them to correspond with part list. Extra hardware may be included. If any items are missing, please contact our parts/service department at (800) 633-5096 or in Dallas (972) 869-0111/ 9am – 4pm Mon-Fri Central time. Missing or damaged hardware and/ or parts will be replaced free of charge. WE DO NOT SELL PARTS. WE DO NOT RECOMMEND MODIFYING PRODUCT(S) AND WE ARE NOT RESPONSIBLE FOR ANY DAMAGES DUE TO PRODUCT MODIFICATION(S). If this product has not been purchased from our retail affiliates (within 9 months), we are under no obligation to provide parts or replacement merchandise. Parts will not be available for items arriving fully assembled.

**"We will ship parts if available" "This is not a warranty"**

**PARTS REPLACEMENT FORM**

STYLE NO: **VM5060/VM5061/VM5062/VM5063**

Customer Name

PARTS  
LETTER

PART  
DESCRIPTION

QUANTITY  
NEEDED

Street, City, State, Zip

Phone#



SOUTHERN ENTERPRISES INC.  
P.O. Box 59996 Dallas, Texas 75229

Please indicate where you purchased this item.

Store/website/catalog

/ /

Please indicate color/size/style number

/ /