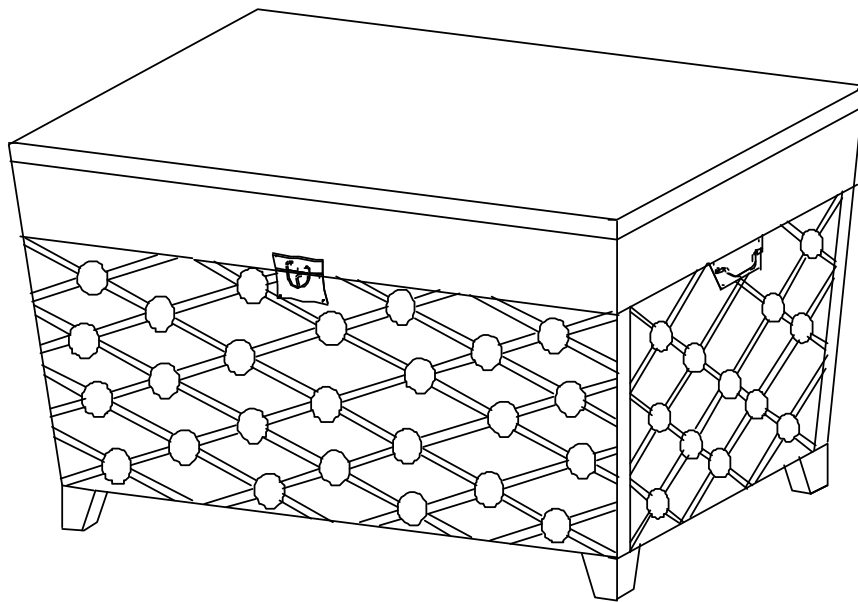


CK622400TX
Nailhead Cocktail Table Trunk
Assembly Instruction



For assistance with assembly contact:
Southern Enterprises Inc.
Customer Service 1-800-633-5096
service@seidal.com
www.seidal.com

Max top load lb.
Max load inside the trunk lb.

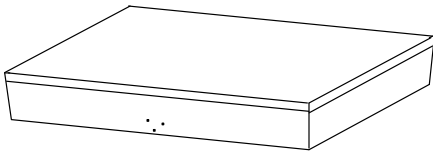


CK622400TX Nailhead Cocktail Table Trunk Parts List

Please review all parts and hardware before disposing of any packaging.
Call Customer Service if missing hardware. Do not return to store/retailer.
Screws shown actual size. Using a screw that is too long will cause damage.
Before beginning assembly, separate each type of screw. Carefully study
the screw diagrams below (SHOWN ACTUAL SIZE).

A

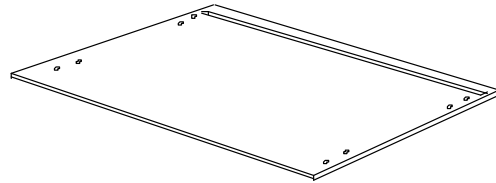
1 PC



Top

B

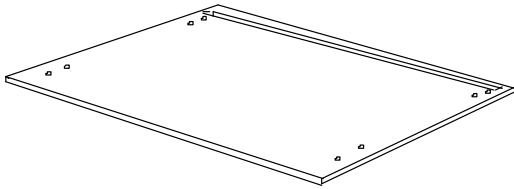
1 PC



Front panel

C

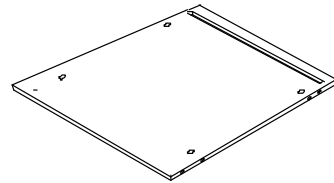
1 PC



Back panel

D

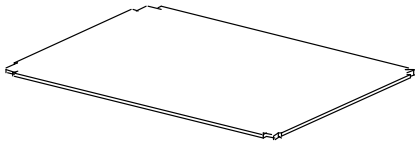
1 PC



Left side panel

E

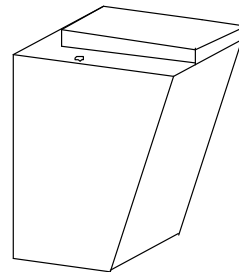
1 PC



Bottom panel

F

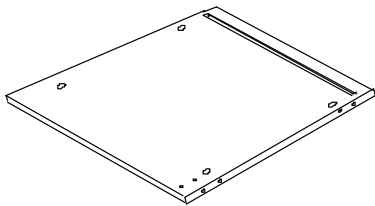
4 PCS



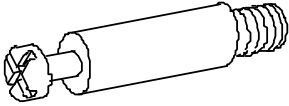



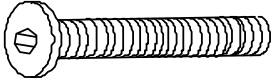
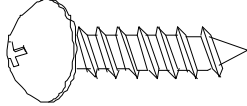
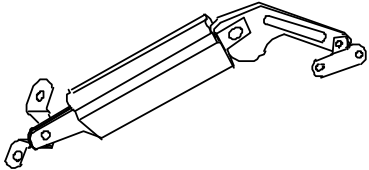
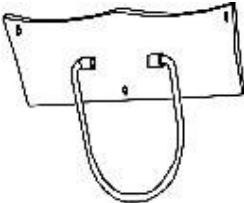
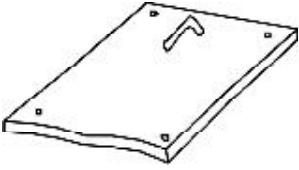

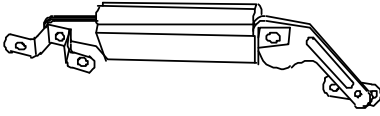
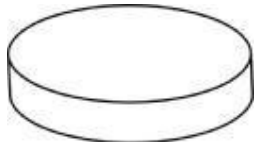
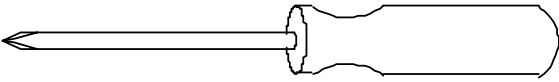
Leg

G

1 PC



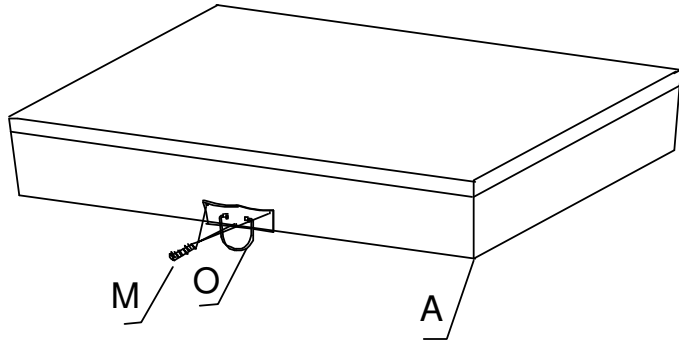
Right side panel

<p>H 8 PCS</p>  <p>Small Cam Screw φ6.8 x 36mm</p>	<p>I 8 PCS</p>  <p>Small Cam Lock φ15 x 12mm</p>	<p>J 1 PC</p>  <p>Wrench</p>
<p>K 8 PCS</p>  <p>Dowel 8 x 30mm</p>	<p>L 8 PCS</p>  <p>Bolts 1/4" x 2-3/4"</p>	<p>M 29 PCS</p>  <p>Screws 3.5 x 16mm</p>
<p>N 1 PC</p>  <p>Left-Support</p>	<p>O 1 PC</p>  <p>Handle-A</p>	<p>P 1 PC</p>  <p>Handle-B</p>
<p>Q 2 PCS</p>  <p>Handle</p>	<p>R 1 PC</p>  <p>Right-Support</p>	<p>S 10 PCS</p>  <p>Sponge Cushion</p>
<p>Care and Cleaning Instructions: Before using , wipe with a clean , dry cloth. Periodical y apply furniture wax to renew The finish. Avoid rubbing or scratching the surface with rough or abrasive objects.</p>		<p>For replacement parts or questions, please call Customer Service at 1-800-633-5096. Do not return product to store. Please cal manufacturer for assistance, questions or parts.</p>
<p>Assembly Tool Required No.2 Phillips Screwdriver</p>		

CK622400TX

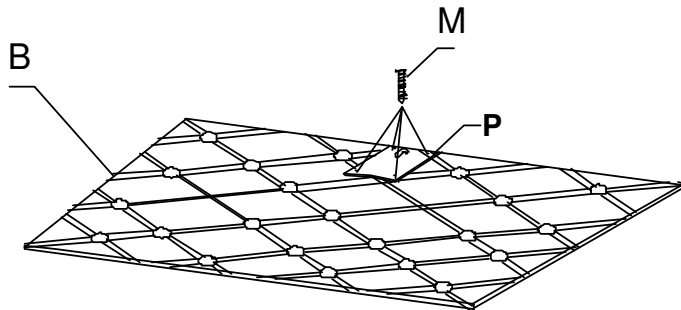
Nailhead Cocktail Table Trunk

Assembly Instructions



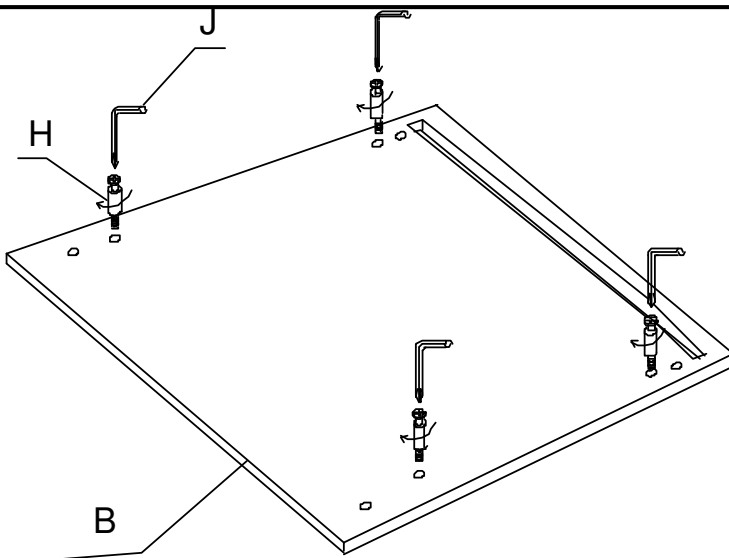
Step 1:

Put all parts on a soft surface to prevent scratches, attach handle-A (O) to the top (A) by using screw (M) and phillips screwdriver to tighten it as shown.



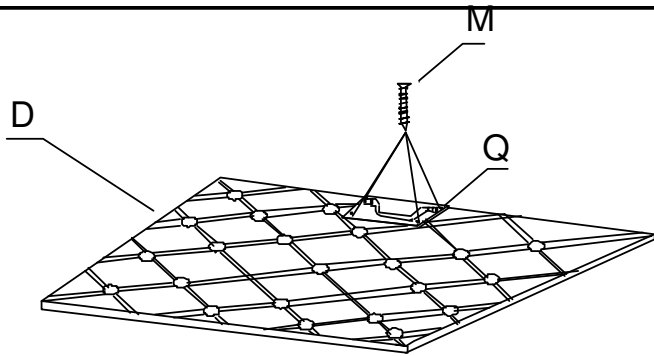
Step 2:

Attach handle-B (P) to front panel (B) by using screw (M) and phillips screwdriver to tighten it as shown.

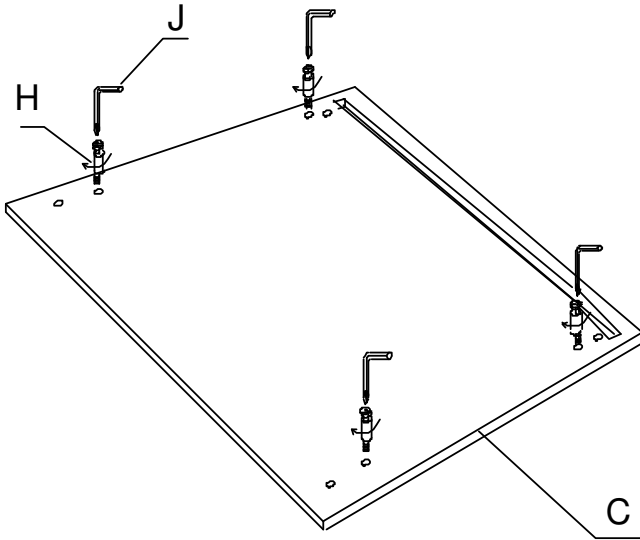


Step 3:

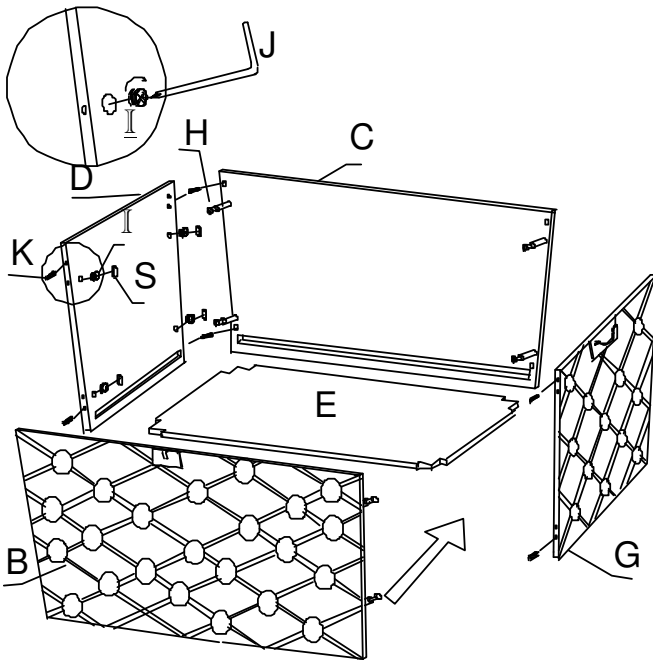
Screw small cam screw (H) into front panel (B) as shown.



Step 4:
 Attach handle (Q) to left side panel (D) and right side panel (G) by using screw (M) and phillips screwdriver to tighten it as shown.



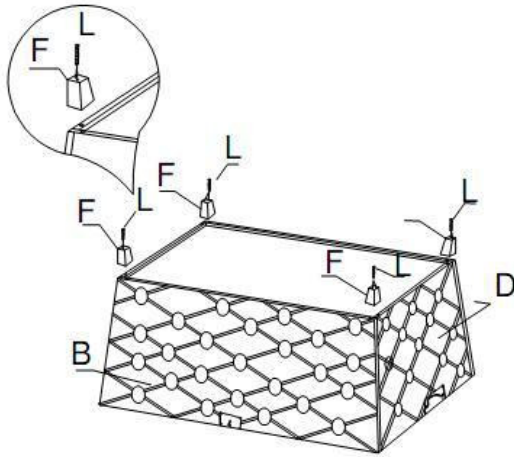
Step 5:
 Screw small cam screw (H) into back panel (C) as shown.



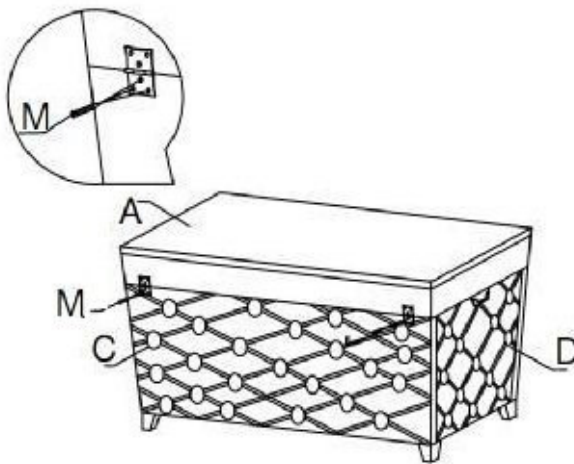
Step 6:
 Insert dowel (K) into to left side panel (D) and right side panel (G) as shown.

Then combining left side panel (D), right side panel (G), front panel (B), back panel (C) and bottom panel (E) together by using small cam screw (H), smallcam lock (J), dowel (K) and sponge cushion (S) as shown.

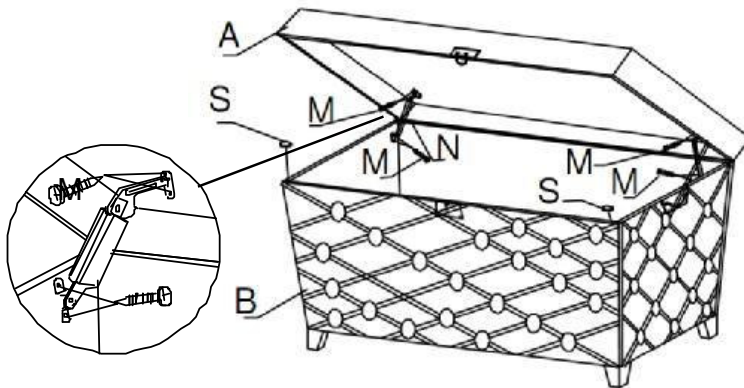
Please make sure the edges of bottom panel (E) are inserted into the groove of all panels.



Step 7:
 Turn the trunk base up side down and attach leg (F) to the bottom of trunk by using screw (L) as shown.



Step 8:
 Attach top (A) to the trunk base by using screw (M) and phillips screwdriver to tighten it as shown.



Step 9:
 Open the top (A), attach left support (N) and right support (R) to the top (A) and trunk base by using screw (M) and phillips screwdriver to tighten it as shown.
 Then put sponge cushion (S) on front panel (B) as shown, close the top and leave the top to drop down slowly.



Customer Service 1-800-633-5096
service@seidal.com
 Southern Enterprises, Inc.
 2915 Merrell Road
 Dallas, Texas 75229

We'd love to hear from you! Email us photos of our products in your home at sei@seidal.com and we might feature it on our site or use it to model one of our inspirational photos.

“ PARTS WILL BE SENT IF AVAILABLE FORM SEI “

Parts Replacement Form

Customer Information

Name _____

Address _____

City/State/Zip Code _____

Phone Number _____

Please indicate where you purchased this item: Store/ Website/ Catalog

Please indicate color/size/style number:

Style No	Parts Letter	Parts Description	Quantity Needed

Missing or damaged hardware and/ or parts will be replaced free of charge. We do not sell parts. Southern Enterprises Inc. will provide replacement parts for only those items purchased within the last 9 months. If this product has not been purchased from our retail affiliates (within 9 months), we are under no obligation to provide parts or replacements merchandise. Parts will not be available for items arriving fully assembled.



Customer Service 1-800-633-5096

service@seidal.com

Southern Enterprises, Inc.

2915 Merrell Road

Dallas, Texas 75229