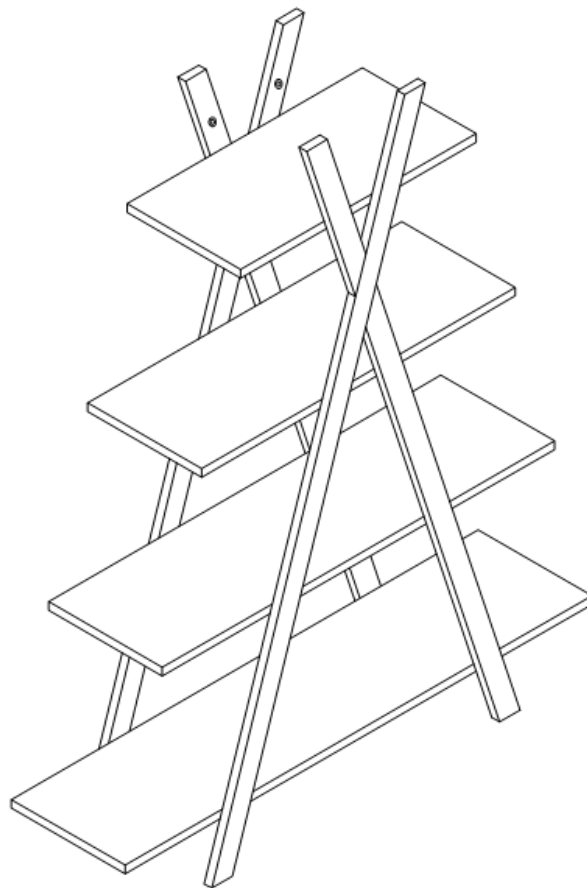


HO091100TX
"X" Etagere
Assembly Instruction



For assistance with assembly contact:
Southern Enterprises Inc.
Customer Service 1-800-633-5096
service@seidal.com
www.seidal.com



HO091100TX

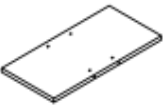
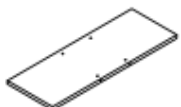








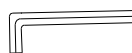


"X" Etagere

Parts List

Please review all parts and hardware before disposing of any packaging. Call Customer Service if missing hardware. Do not return to store/retailer. Screws shown actual size.

Using a screw that is too long will cause damage. Before beginning assembly, separate each type of screw. Carefully study the screw diagrams below.

You may receive extra hardware with your unit.

A  Quantity Of 1 Top Small Shelf	B  Quantity Of 1 Medium Shelf	C  Quantity Of 1 Large Shelf
D  Quantity Of 1 Bottom Largest Shelf	E  Quantity Of 1 Front Right Stretcher	F  Quantity Of 1 Front Left Stretcher
G  Quantity Of 1 Back Left Stretcher	H  Quantity Of 1 Back Right Stretcher	
1  Quantity Of 16 Bolt 1/4"x 2"	2  Quantity Of 16 Flat Washer 1/4"	3  Quantity Of 1 Wrench
4  2pcs Screw $\frac{5}{32}$ "x1-3/4"	5  2pcs Plastic Anchor	

Care and Cleaning Instructions:
 Before using, wipe with a clean, dry cloth.
 Periodically apply furniture wax to renew
 The finish. Avoid rubbing or scratching the
 surface with rough or abrasive objects.

For replacement parts or questions, please
 call Customer Service at 1-800-633-5096.
 Do not return product to store. Please call
 manufacturer for assistance, questions or
 parts.

Assembly Tool Required

No.2 Phillips Screw Driver

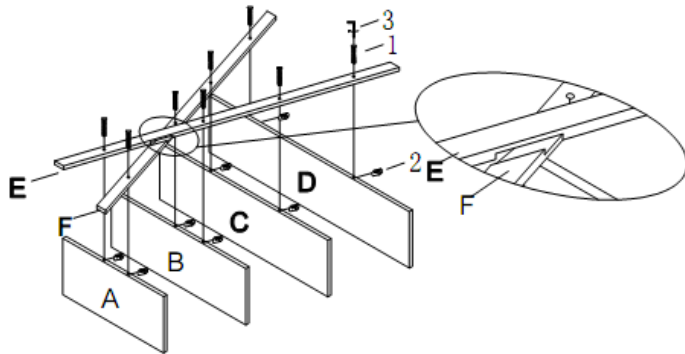


Tool List: 3/16" drill bit, drill, tape measure and pencil.

HO091100TX

"X" Etagere

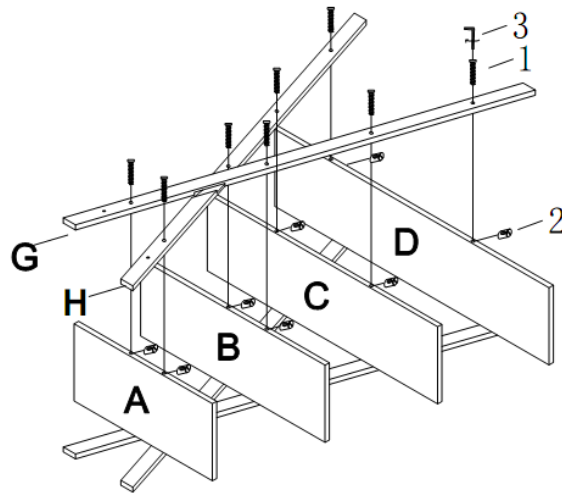
Assembly Instruction



Step 1:

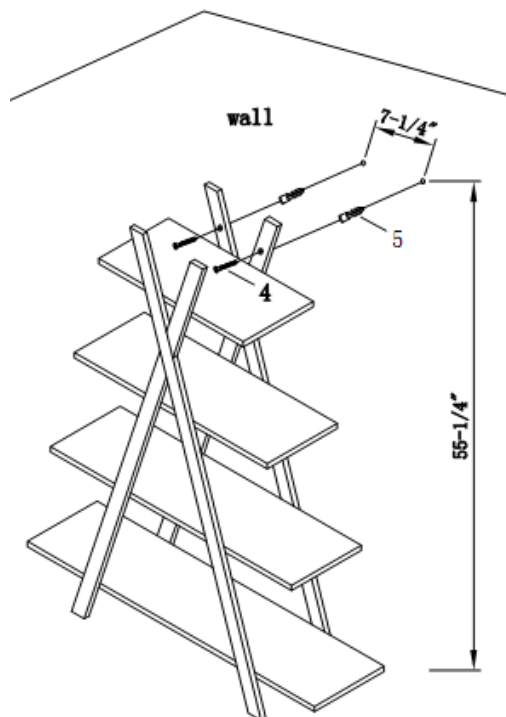
Put all parts on a soft surface to prevent scratches.

Attach front right stretcher (E) and front left stretcher (F) to top small shelf (A), medium shelf (B), large shelf (C) and bottom largest shelf (D) by using bolt (1) and flat washer (2) as shown.



Step 2:

Turn it over and attach back right stretcher (H) and back left stretcher (G) to top small shelf (A), medium shelf (B), large shelf (C) and bottom largest shelf (D) by using bolt (1) and flat washer (2) as shown.



Step 3:

Drill two 3/16" holes on the wall with measurements as shown.

Please mount at least 1 screw into a wall stud.

Insert plastic anchor (5) into the holes of wall as shown. (When doing this, you will need a hammer help you).

Using the Phillips head screwdriver, install screw (4) into each of the anchors (5) as shown.

We'd love to hear from you! Email us photos of our products in your home at sei@seidal.com and we might feature it on our site or use it to model one of our inspirational photos.

“PARTS WILL BE SENT IF AVAILABLE FROM SEI” “THIS IS NOT A WARRANTY”

Parts Replacement Form

Customer Information

Name _____

Address _____

City/State/Zip Code _____

Phone Number _____

Please indicate where you purchased this item: Store/ Website/ Catalog

Please indicate color/size/style number:

Style No	Parts Letter	Parts Description	Quantity Needed

Please count, identify and compare parts and hardware list to be sure all parts are present. It may help to divide parts and label them to correspond with part list. Extra hardware may be included. If any items are missing, **please contact Southern Enterprises at 800-633-5096 or in Dallas (972) 869-0111/ 9am – 4pm Mon-Fri Central time if you have product issues with your purchase. Please ask for a customer service representative for issues involving damages or replacement parts. Please ask for a technical assistance representative for any issues with product assembly and product construction. Please contact the retailer that you purchased from for returns.**

Missing or damaged hardware and/ or parts will be replaced free of charge. **We do not sell parts. We do not recommend modifying product(s) and we are not responsible for any damages due to product modification(s).**

If this product has not been purchased from our retail affiliates (within 9 months), we are under no obligation to provide parts or replacements merchandise. Parts will not be available for items arriving fully assembled.

Customer Service 1-800-633-5096

service@seidal.com

Southern Enterprises, Inc.

600 Freeport Parkway, Suite 200

Coppell, Texas 75019

