

CK499000TX

PASCHALL COCKTAIL

Assembly Instructions



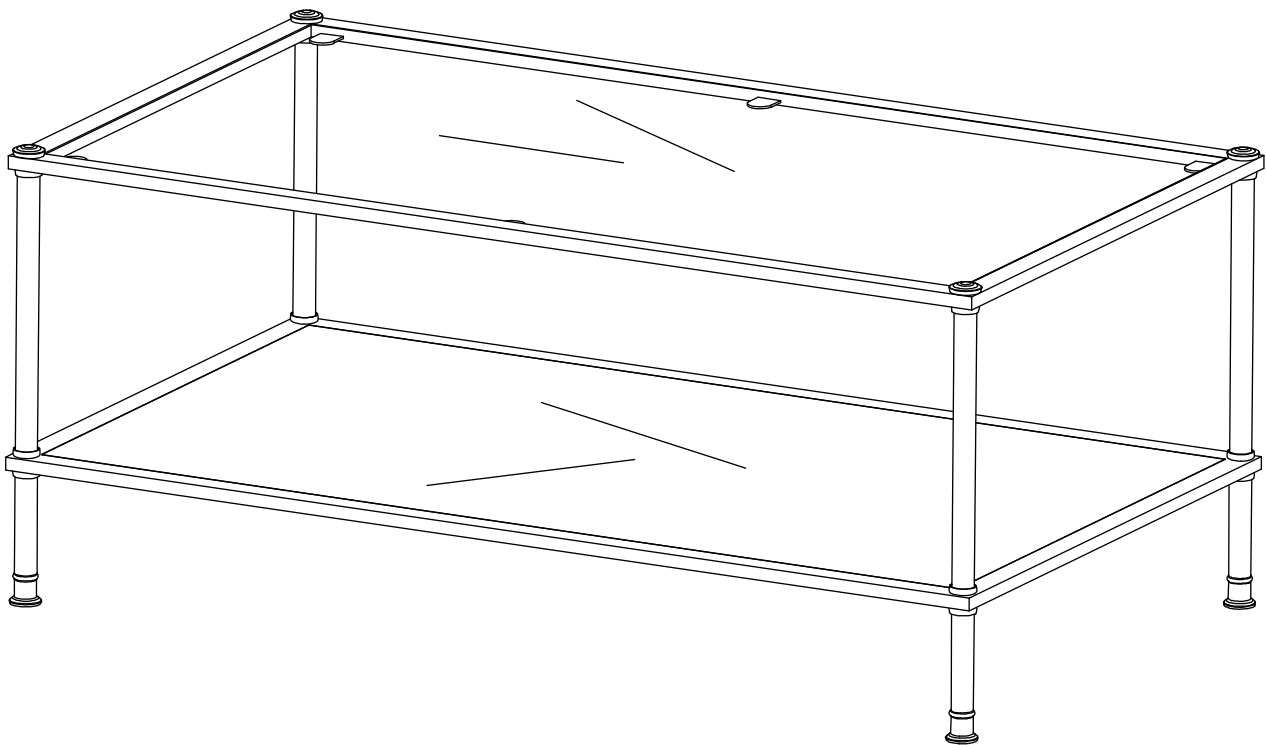
Southern
ENTERPRISES

For assistance with assembly, contact.
Southern Enterprises Inc.
Customer Service 1-800-633-5096
service@seidal.com
www.seidal.com

PO:13876

Top supports up to lb.

Shelf supports up to lb.



CK499000TX

PASCHALL COCKTAIL

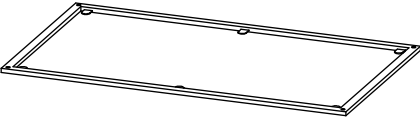
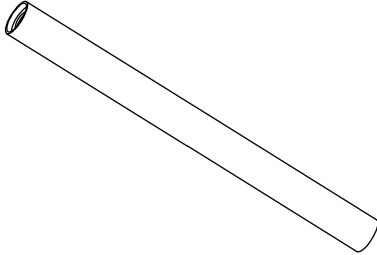
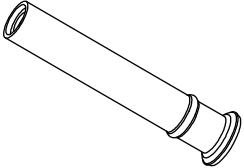
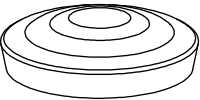
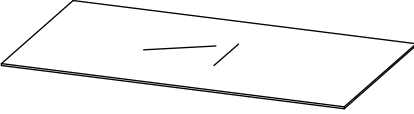
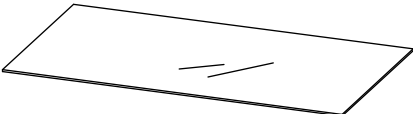
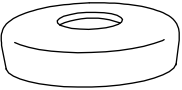
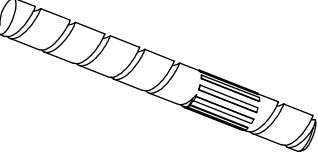
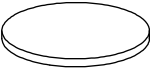
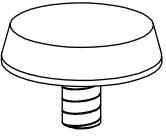
Parts List

Please review all parts and hardware before disposing of any packaging.

Call Customer Service if missing hardware.

Carefully study the diagrams below.

You may receive extra hardware with your unit.

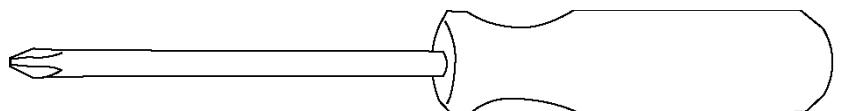
1  Frames	2PCS	2  Supports	4PCS	3  Legs	4PCS
4  Metal Caps	4PCS	6  Glass Top	1PC	7  Mirror Shelf	1PC
5  Metal Washers	12PCS	A  Bolts 5/16"x1-3/4"	B  Glass Pads	C  Levelers	4PCS

Care and Cleaning Instructions:

Before using, wipe with a clean, dry cloth.
Avoid rubbing or scratching the surface with rough or abrasive objects.

For replacement parts or questions, please call customer service at 1-800-633-5096.

Assembly Tool Required
No.2 Phillips Screwdriver



CK499000TX

PASCHALL COCKTAIL

Assembly Instructions

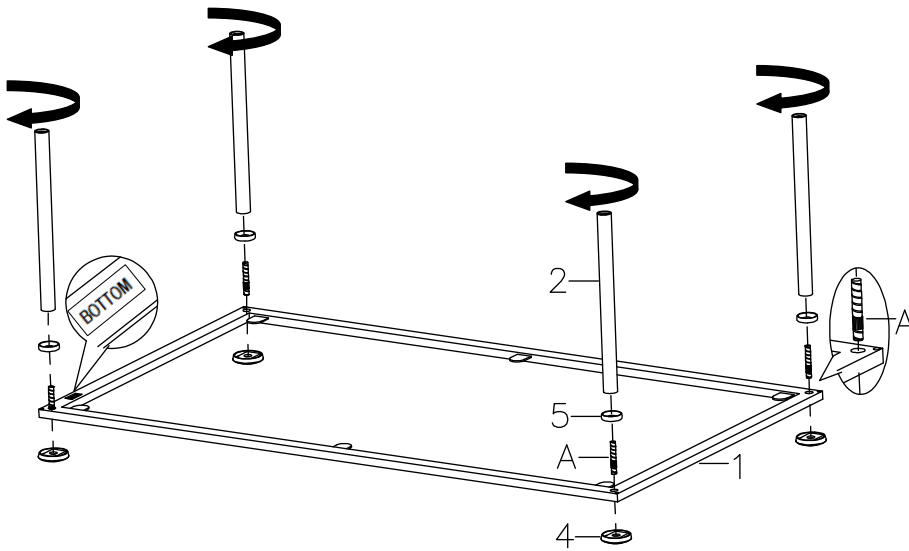


Figure 1

Step 1:

Unit assembly should begin with parts turned upside down for Step 1.

Attach Metal Caps (4), Metal Washers (5) and Supports (2) to Top Frame (1) connecting with Screws (A) as shown.

Please make sure the labels reading **BOTTOM** under Frames (1) are facing upwards.

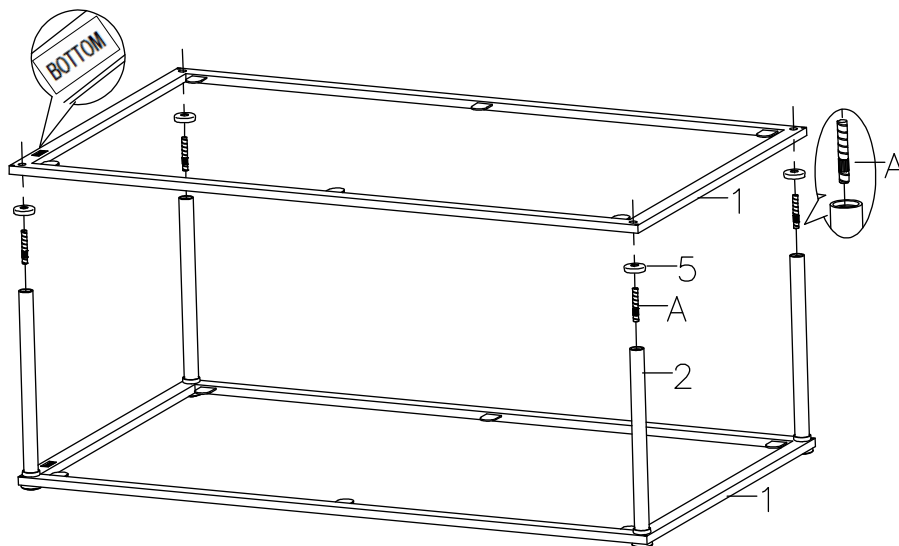
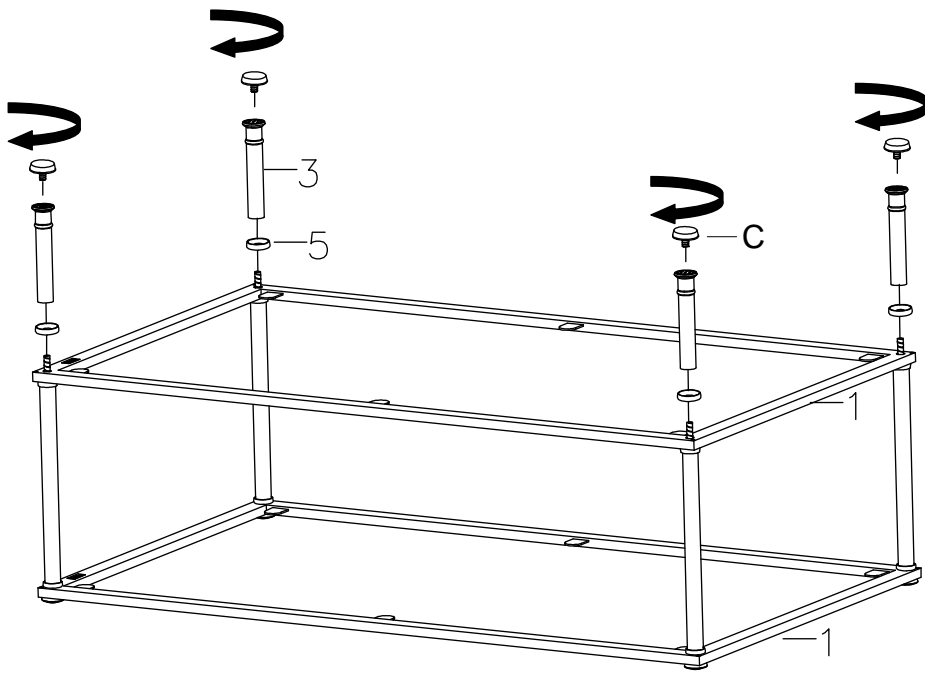


Figure 2

Step 2:

Attach Screws (A) to Supports (2), then, attach Metal Washers (5) and Shelf Frame (1) to Supports (2) connecting with Screws (A) as shown.



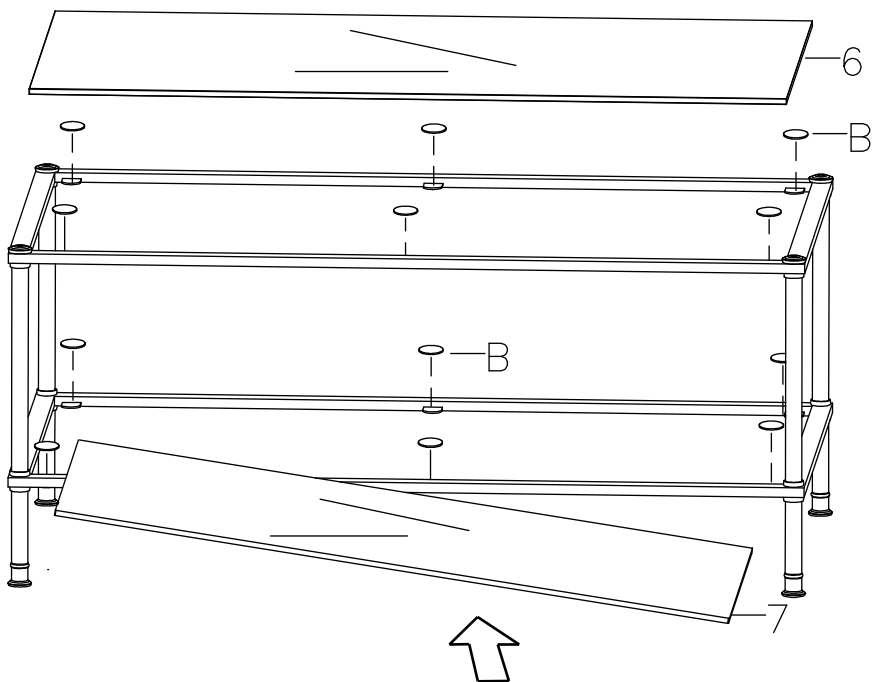
Step 3:

Attach Metal Washers (5) to Screws (A), and then attach Legs (3) to Metal Washers (5).

Clockwise to tighten the parts.

Screw Levelers (C) to Legs (3).

Figure 3



Step 4:

Attach Glass Pads (B) to the brackets on Frames (1).

Place Glass Top (6) to Top Frame (1) and insert Mirror Shelf (7) to Shelf Frame (1) as shown.

Your Paschall Cocktail Table assembly is now complete.

Figure 4

Parts Replacement Form

Customer Information

Name _____

Address _____

City/State/Zip Code _____

Phone Number _____

Please indicate where you purchased this item: Store/Website/Catalog

Please indicate color/size/style number:

Style No	Parts Letter	Parts Description	Quantity Needed
_____	_____	_____	_____
_____	_____	_____	_____
_____	_____	_____	_____

Please immediately examine this product carefully. Any request for missing parts or damage replacement must be received within 90 days of your receipt of the product. Replacement, if available, will be honored within this time frame. Parts will not be available for items arriving fully assembled. We do not recommend modifying product(s) and we are not responsible for any damages due to product modification(s). If damages or missing parts are not reported within 90 days of your receipt, we are under no obligation to provide parts or replacement merchandise.

Please contact Southern Enterprises at 800-633-5096 or in Dallas 972-869-0111/ 9am – 4pm Mon-Fri Central time if you have product issues or email us at service@seidal.com. Please ask for customer service representative for issues involving damages or replacement parts. Please ask for technical assistance representative for any issues with product and assembly/construction.

Please contact the retailer that you purchased from for returns.



Southern
ENTERPRISES

Customer Service 1-800-633-5096

service@seidal.com

Southern Enterprises, Inc.

600 Freeport Parkway, Suite 200

Coppell, Texas 75019