

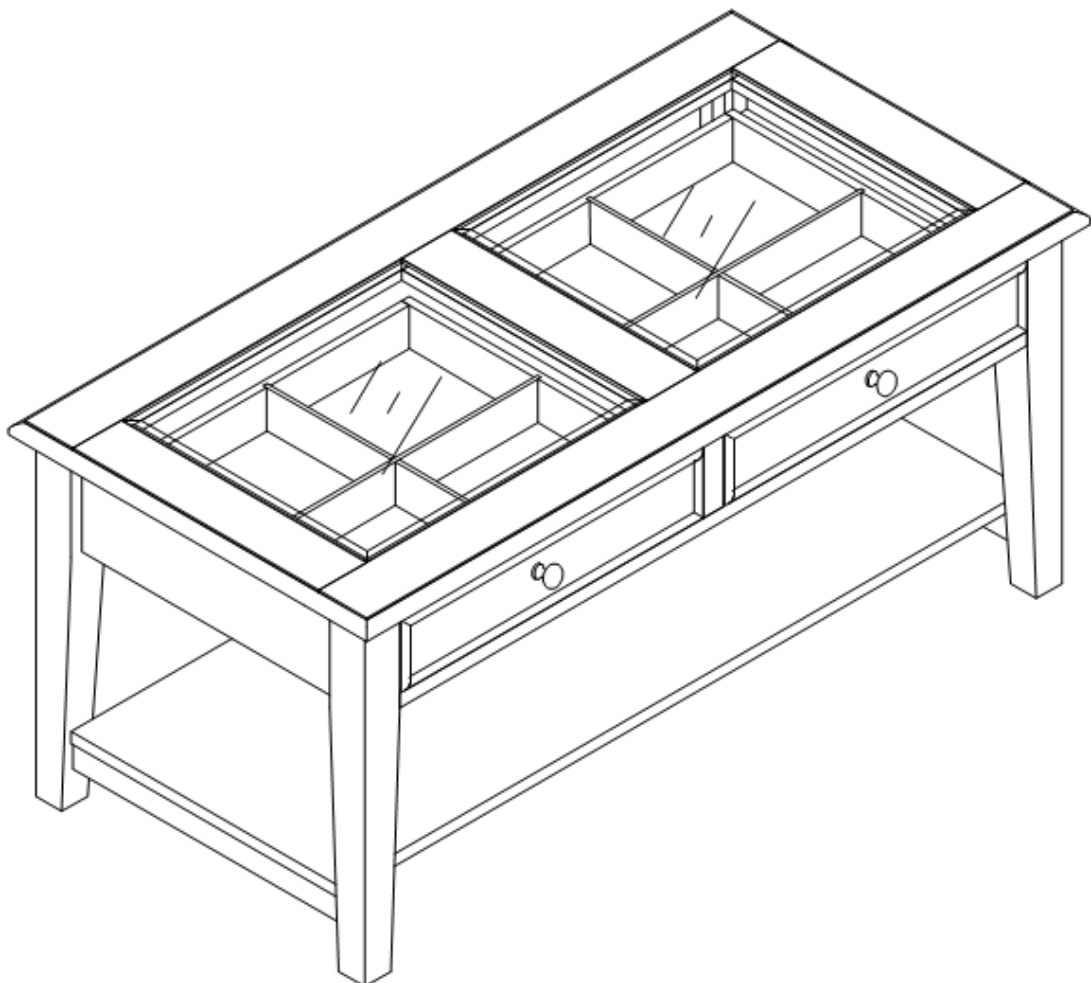
CK112000TX- Walnut
CK113000TX-Classic White
"Panorama" Cocktail Table
Assembly Instruction



For assistance with assembly contact:
Southern Enterprises Inc.
Customer Service 1-800-633-5096
service@seidal.com
www.seidal.com


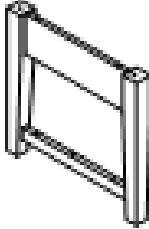
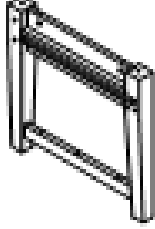

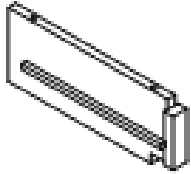
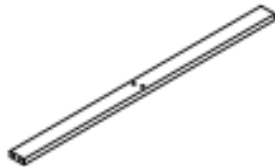

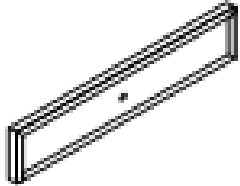

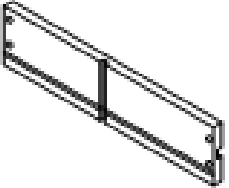


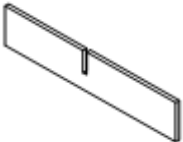

PO#11809








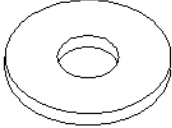
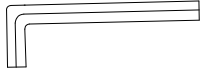



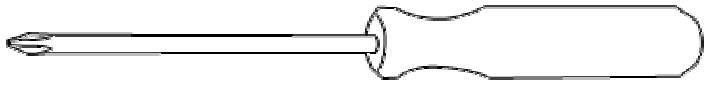
Max Top Load: 50 lb.



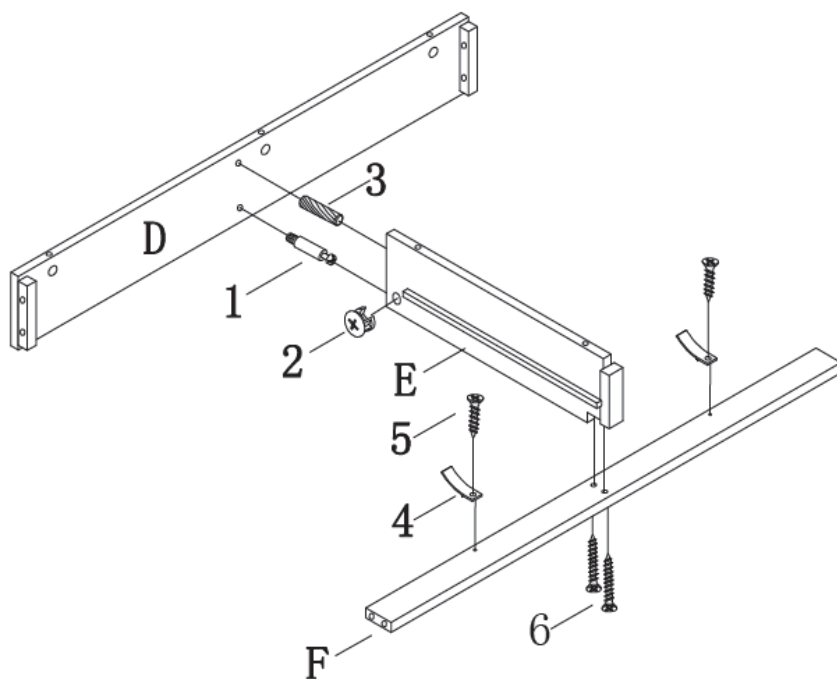
CK112000TX- Walnut CK113000TX-Classic White "Panorama" Cocktail Table Parts List

Please review all parts and hardware before disposing of any packaging. Call Customer Service if missing hardware. Do not return to store/retailer. Using a screw that is too long will cause damage. Before beginning assembly, separate each type of screw. Carefully study the screw diagrams below. You may receive extra hardware with your unit.

<p>A Quantity Of 1</p>  <p>Wood Top Frame</p>	<p>B Quantity Of 1</p>  <p>Left Side Panel</p>	<p>C Quantity Of 1</p>  <p>Right Side Panel</p>
<p>D Quantity Of 1</p>  <p>Back Panel</p>	<p>E Quantity Of 1</p>  <p>Middle Panel</p>	<p>F Quantity Of 1</p>  <p>Front Stretcher</p>
<p>G Quantity Of 1</p>  <p>Bottom Shelf</p>	<p>H Quantity Of 2</p>  <p>Drawer Front Panel</p>	<p>I Quantity Of 2</p>  <p>Drawer Back Panel</p>
<p>J Quantity Of 4</p>  <p>Drawer Side Panel</p>	<p>K Quantity Of 2</p>  <p>Drawer Bottom Panel</p>	<p>L Quantity Of 2</p>  <p>Drawer Upper Division</p>
<p>M Quantity Of 2</p>  <p>Drawer Bottom Division</p>	<p>N Quantity Of 2</p>  <p>Glass Top</p>	

<p>1</p> <p style="text-align: center;">Quantity Of 14</p>  <p>Cam Bolt 1/4"x1-1/2"</p>	<p>2</p> <p style="text-align: center;">Quantity Of 14</p>  <p>Cam Lock 5/8"x1/2"</p>	<p>3</p> <p style="text-align: center;">Quantity Of 7</p>  <p>Dowel 5/16" x1-1/4"</p>
<p>4</p> <p style="text-align: center;">Quantity Of 2</p>  <p>Plastic Drawer Stopper</p>	<p>5</p> <p style="text-align: center;">Quantity Of 2</p>  <p>Screw 1/8"x5/8"</p>	<p>6</p> <p style="text-align: center;">Quantity Of 2</p>  <p>Screw 5/32"x1-1/2"</p>
<p>7</p> <p style="text-align: center;">Quantity Of 4</p>  <p>Bolts 1/4"x 1-1/4"</p>	<p>8</p> <p style="text-align: center;">Quantity Of 4</p>  <p>Lock Washer 1/4"</p>	<p>9</p> <p style="text-align: center;">Quantity Of 1</p>  <p>Wrench 1/4"</p>
<p>10</p> <p style="text-align: center;">Quantity Of 20</p>  <p>Screw 5/32"x1"</p>	<p>11</p> <p style="text-align: center;">Quantity Of 2</p>  <p>Bolts 5/32"x 1"</p>	<p>12</p> <p style="text-align: center;">Quantity Of 2</p>  <p>Knob</p>
<p>Care and Cleaning Instructions: Before using, wipe with a clean, dry cloth. Periodically apply furniture wax to renew the finish. Avoid rubbing or scratching the surface with rough or abrasive objects.</p>		<p>For replacement parts or questions, please call Customer Service at 1-800-633-5096. Do not return product to store. Please call manufacturer for assistance, questions or parts.</p>
<p>Assembly Tool Required No.2 Phillips Screw Driver</p>		

CK112000TX- Walnut / CK113000TX-Classic White "Panorama" Cocktail Table Assembly Instruction



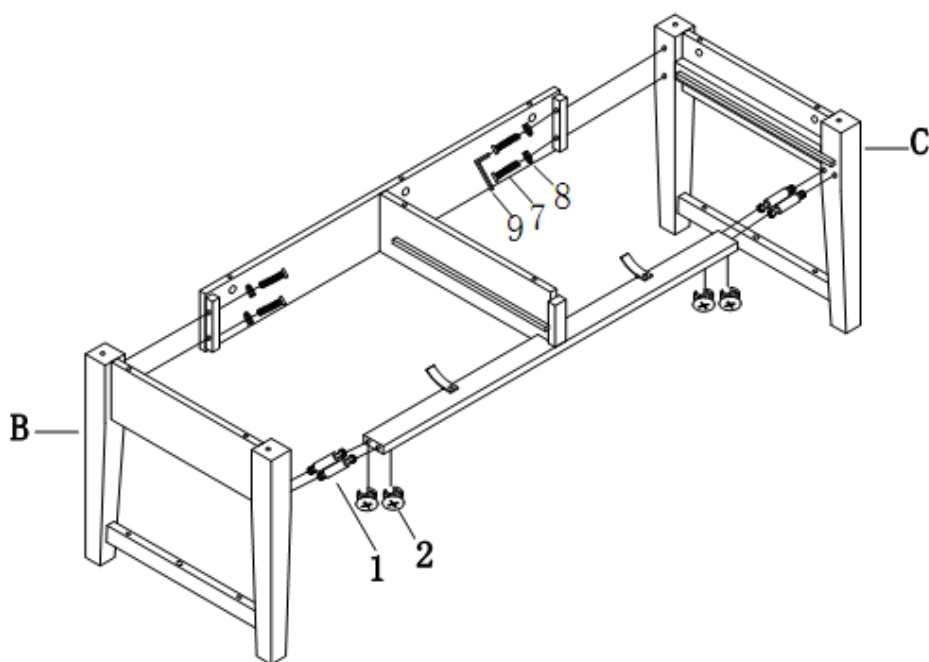
Step 1:

PLEASE DO NOT OVER-TIGHTEN CAMBOLTS. PLEASE STOP WHEN YOU FEEL TIGHT

Put all parts on a soft surface to prevent scratches.

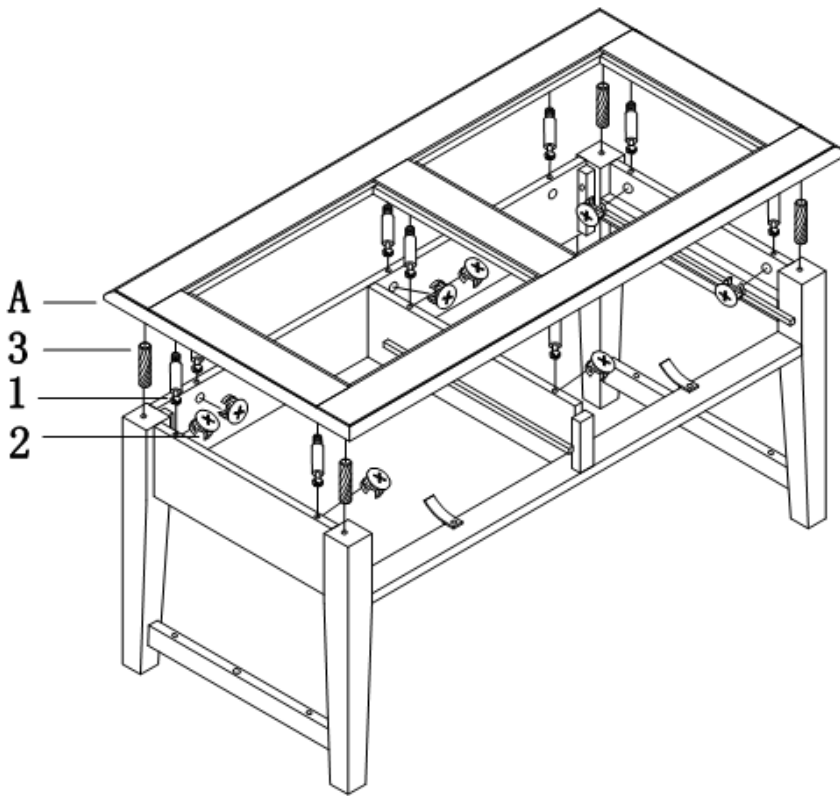
Attach middle panel (E) to back panel (D) and front stretcher (F) by using cam bolt (1), cam lock (2), dowel (3) and screw (6) as shown.

Then attach plastic drawer stopper (4) to front stretcher (F) by using screw (5) as shown.



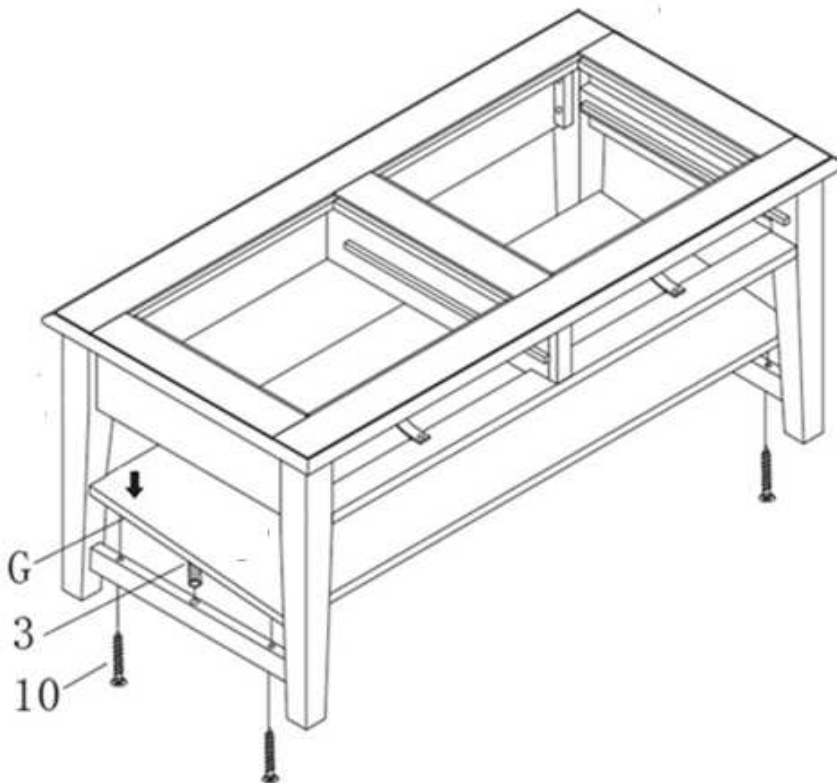
Step 2:

Attach left side panel (B), right side panel (C) to back panel (D) and front stretcher (F) by using cam bolt (1), cam lock (2), screw (7), Flat washer (8) as shown.



Step 3:

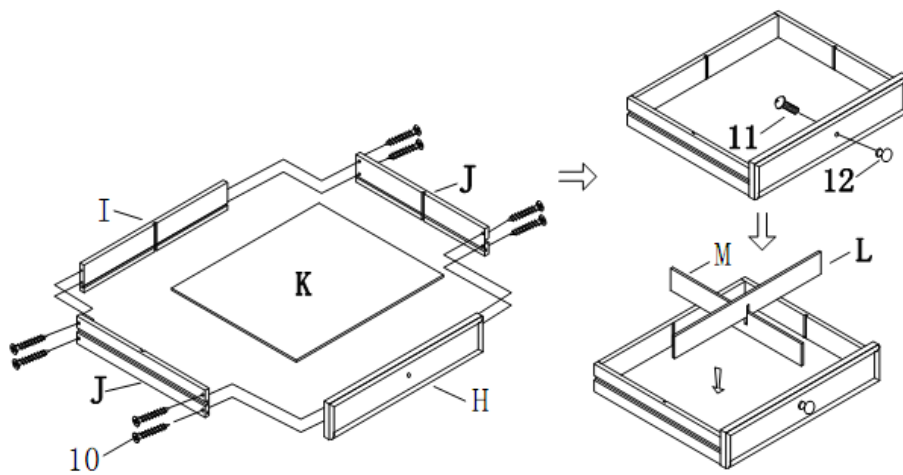
Attach wood top frame (A) to the base by using cam bolt (1), cam lock (2), dowel (3) as shown.



Step 4:

Attach bottom shelf (G) to both side panels by using dowel (3) and screw (10) as shown.

Insert wood cap (13) into the holes of side panels as shown.



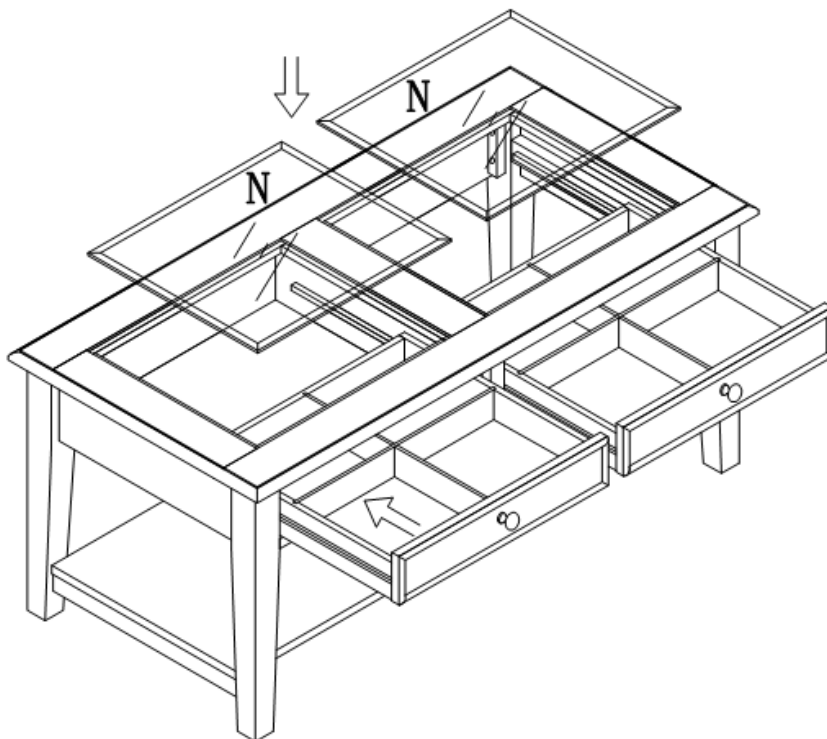
Step 5:

Attached drawer side panel (J), drawer back panel (I) and drawer front panel (H) to drawer bottom panel (K) by using screw (10) as shown.

Please make sure the edges of drawer bottom panel (K) are inserted into the groove of all panels.

Attach knob (12) to drawer front panel (H) by using screw (11) as shown.

Then insert drawer upper division (L) and drawer bottom division (M) into drawer as shown.



Step 6:

Put glass top (N) into wood top frame (A) as shown.

Finally, insert the drawers as shown.



Customer Service 1-800-633-5096

service@seidal.com

Southern Enterprises, Inc.

600 Freeport Parkway, Suite 200

Coppell, Texas 75019

Parts Replacement Form

Customer Information

Name _____

Address _____

City/State/Zip Code _____

Phone Number _____

Please indicate where you purchased this item: Store/Website/Catalog

Please indicate color/size/style number:

Style No

Parts Letter

Parts Description

Quantity Needed

_____	_____	_____
_____	_____	_____
_____	_____	_____

..

Please immediately examine this product carefully. Any request for missing parts or damage replacement must be received within 90 days of your receipt of the product. Replacement, if available, will be honored within this time frame. Parts will not be available for items arriving fully assembled. We do not recommend modifying product(s) and we are not responsible for any damages due to product modification(s). If damages or missing parts are not reported within 90 days of your receipt, we are under no obligation to provide parts or replacement merchandise. Please contact Southern Enterprises at 800-633-5096 or in Dallas 972-869-0111/ 9am – 4pm Mon-Fri Central time if you have product issues or email us at service@seidal.com. Please ask for customer service representative for issues involving damages or replacement parts. Please ask for technical assistance representative for any issues with product and assembly/construction.

Please contact the retailer that you purchased from for returns.



Customer Service 1-800-633-5096

service@seidal.com

Southern Enterprises, Inc.

600 Freeport Parkway, Suite 200

Coppell, Texas 75019