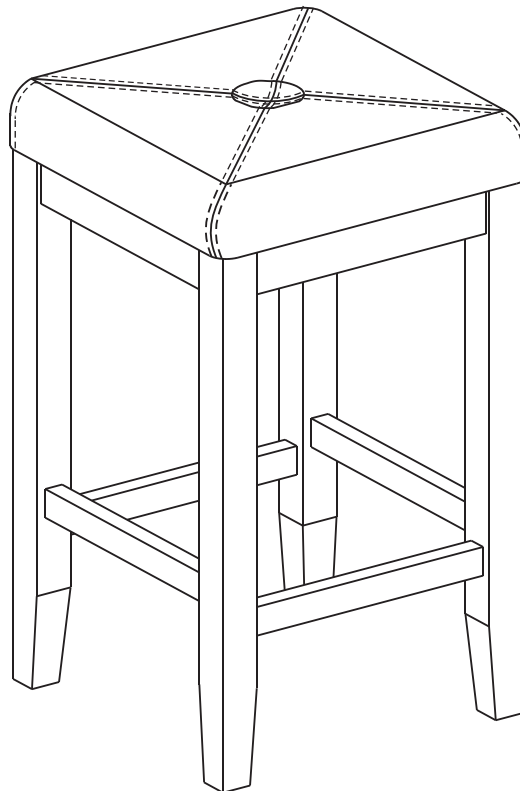


C R O S L E Y
F U R N I T U R E

Square Upholstered Seat Bar Stool

CF500524/500529



C R O S L E Y
F U R N I T U R E

Congratulations! You have purchased a stylish piece of Crosley Furniture. We strive to provide fine furniture products, built with quality materials and hand finished details. Please carefully follow the assembly instructions to ensure your furniture is assembled correctly to provide long lasting enjoyment.

Please note, the assembly hardware is located in a plastic bag that is attached to the underside of the seat bottom.

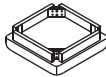


Should you experience any missing or damaged parts, **do not return to the store.** Please contact us directly at 800-815-4796.






Care: Use a soft clean cloth that will not scratch the surface when dusting. Use of furniture polish is not necessary. Should you choose to use polishes, test in an inconspicuous area first. Use of solvents of any kind may damage your furniture's finish. To clean, simply use a soft clean cloth moistened with lukewarm water, then buff with a dry soft clean cloth.

ASSEMBLY INSTRUCTIONS

ITEM#: CF500524/500529

DESCRIPTION: 24 "29" Square Upholstered Seat Bar Stool

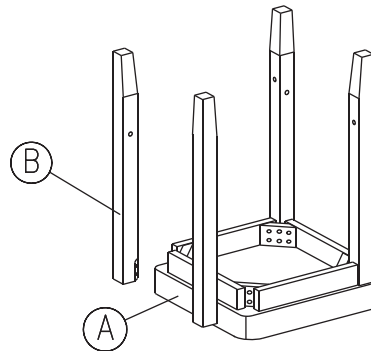
Part Lists			
No.	Description	Sketch	Q'ty
A	SEAT FRAME		1 PC
B	LEG (RIGHT AND LEFT)		2 PAIR
C	SIDE STRETCHER		4 PCS

Hardware Lists			
No.	Description	Sketch	Q'ty
a	BOLT (5/16 x 60")		8 PCS
b	SPRING WASHER		8 PCS
c	FLAT WASHER		8 PCS
d	ALLEN WRENCH		1 PC
e	SCREW(#8X1-1/2")		8 PCS

Step 1

Attach left and right legs (B) to the seat frame (A) using the bolts (a), spring washers (b) and flat washers (c) as shown in Figure 1. **Do not tighten bolts at this time.**

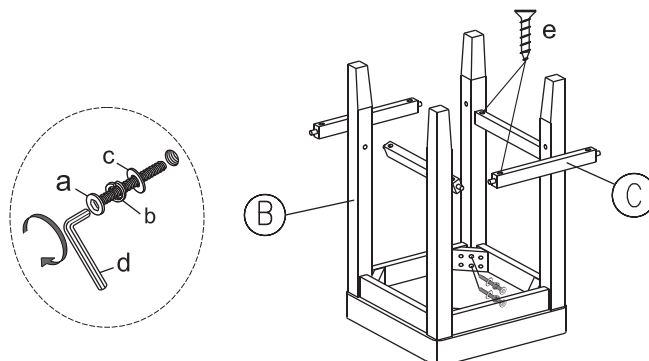
Note: The left and right legs (B) are marked "R" & "L".



Step 3

Insert the side stretchers (C) into the left and right legs (B) as shown in Figure 2.

Note: If you have trouble inserting the stretchers, loosen the bolts (a) slightly to allow for extra space.



Step 4

Ensure that the side stretchers (C) are flush with legs (B). Secure with screws (e) using Phillips head screw driver. Finger-tighten the bolts (a).

Step 5

Turn stool upright on its legs and place on a flat, level floor. Make sure that the stool is level and square. Tighten all bolts (a) completely with supplied Allen wrench (d).

C R O S L E Y
F U R N I T U R E

Limited Manufacturers Warranty

Crosley Furniture Products are warranted against defects in material and workmanship for a period of 90 days beginning from the date of sale. Should any parts be missing or defective, we will replace or repair the parts for a period of 90 days from the date of purchase.

Should you experience any missing or damaged parts, do not return to the store. Please contact us directly at 800-815-4796 from 9 AM to 5 PM (EST) Monday to Friday.

This warranty gives the purchaser specified legal rights in addition to any rights which may vary from state to state.

In accordance with the "Moss-Magnuson Warranty Act" of July 10, 1975, this is termed a "limited warranty" which in no way compromises Crosley Furniture's high standards of Quality and Workmanship.