

Avanity

BROOKS-V60-CG/BROOKS-V60-WT

Features

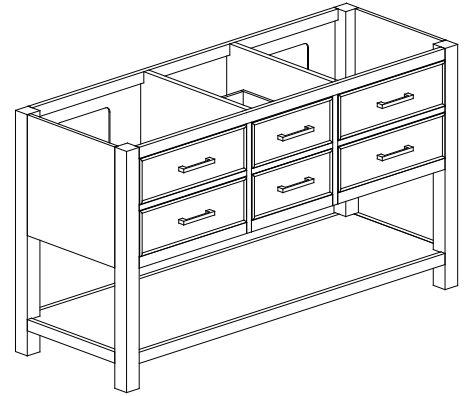
- Solid poplar wood frame, Birch veneer plywood
- 4 soft-close drawer, 1 open shelf
- Brushed nickel finished hardware
- Adjustable height levelers

Colors / Finishes

- Chilled Gray
- White

Nominal Dimension

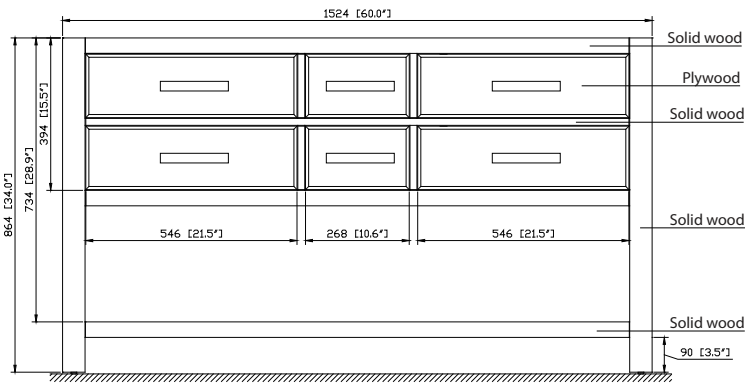
- 60W x 21.5D x 34H inches



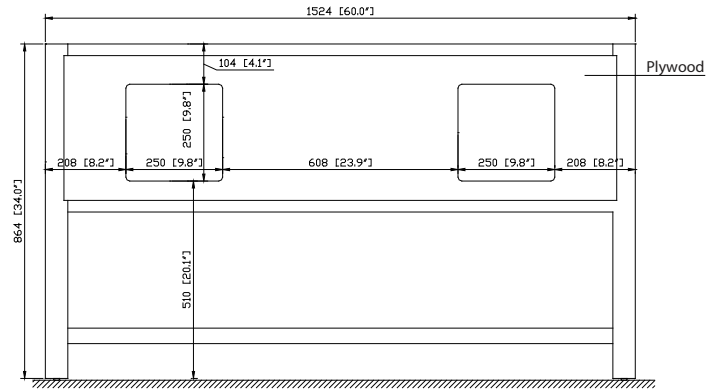
Components

Mirror	14000-M24-CG	14000-MC24-CG	
	14000-M24-WT	14000-MC24-WT	
Vanity Top	SUT61BK-R	SUT61GB-R	SUT61CW-R
	SUT61BK	SUT61GB	SUT61CW
Sink	CUM20WT-R	CUM18WT	CUM18LN

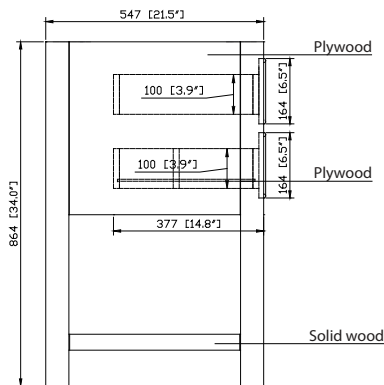
Product Diagrams



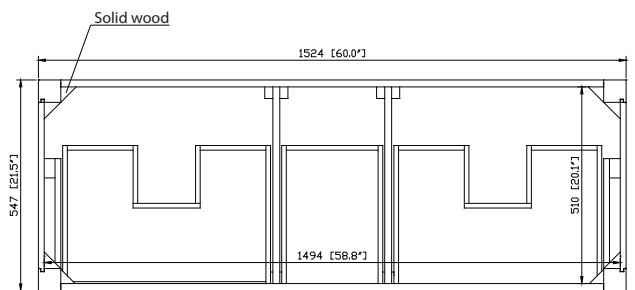
Front



Back



Side



Top



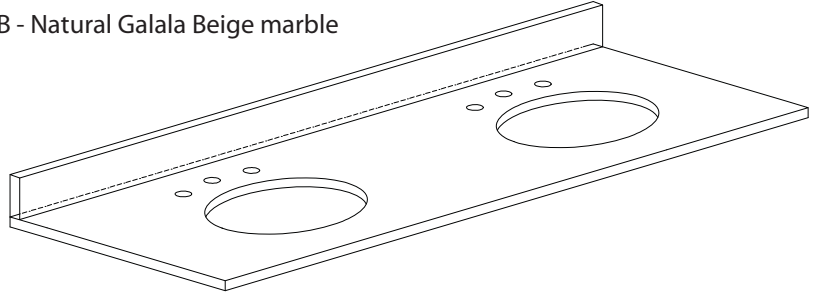
SUT61BK / SUT61CW / SUT61GB

Features

- Top cutout for dual undermount sinks
- Top pre-drilled for 8" widespread faucet
- 4" backsplash included

Colors / Finishes

- BK - Natural Black Granite
- CW - Natural Carrera White marble
- GB - Natural Galala Beige marble



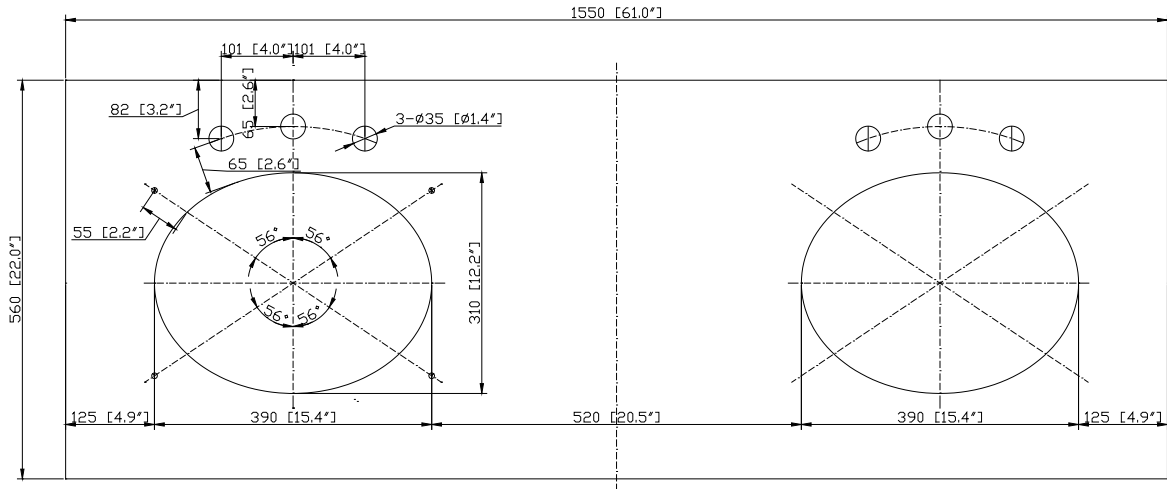
Nominal Dimension

- 61W x 22D x 1H inches
- 1550 x 560 x 25 mm

Related Items

Sink	CUM18WT	CUM18LN	
Vanity	BROOKS-V60	BRENTWOOD-V61	
	HAMILTON-V60	LEXINGTON-V60	MADISON-V60
	MODERO-V60	TRIBECA-V60	THOMPSON-V60

Product Diagrams



Top



Side



CUM18LN / CUM18WT

Features

- Vitreous China
- Undermount application
- 1.8 in. drain opening
- Overflow outlet

Colors / Finishes

- LN - Linen
- WT - White

Nominal Dimension

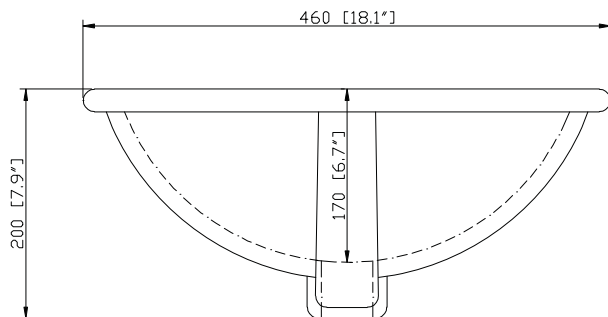
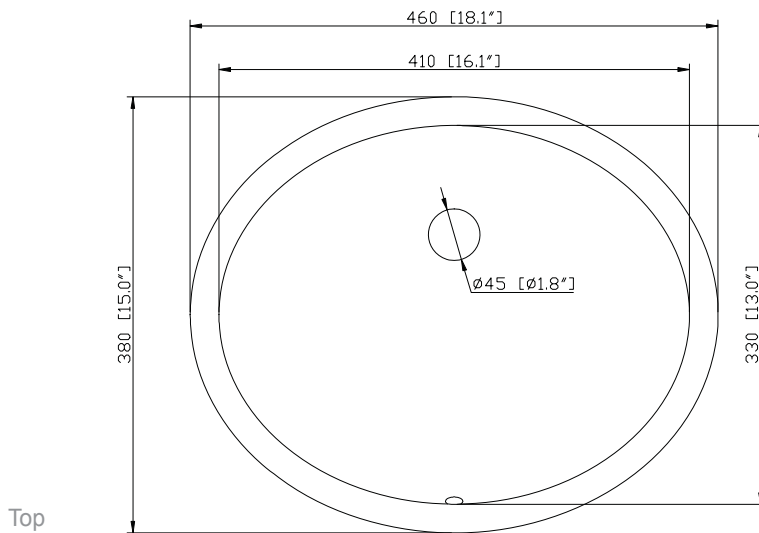
- 18.1W x 15D x 7.9H inches
- 458 x 380 x 200 mm



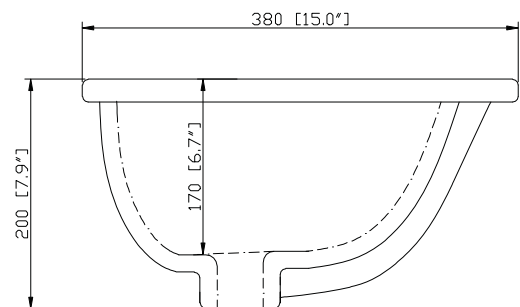
Components

Drain	VC-DRAIN-CP	VC-DRAIN-BN					
Vanity Top	SUT25BK	SUT25CW	SUT25GB	SUT31BK	SUT31CW	SUT31GB	SUT37BK
	SUT37GB	SUT37CW	SUT49CW	SUT49GB	SUT49BK	SUT61BK	SUT61CW
	SUT61GB	SUT73BK	SUT73CW	SUT73GB			

Product Diagrams



Front



Side



CUM18LN / CUM18WT

Features

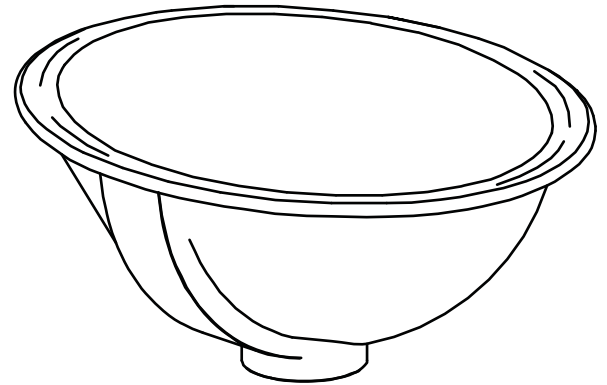
- Vitreous China
- Undermount application
- 1.8 in. drain opening
- Overflow outlet

Colors / Finishes

- LN - Linen
- WT - White

Nominal Dimension

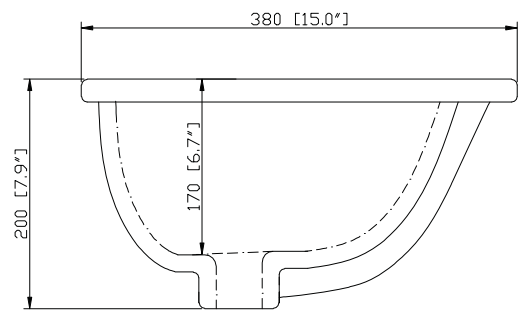
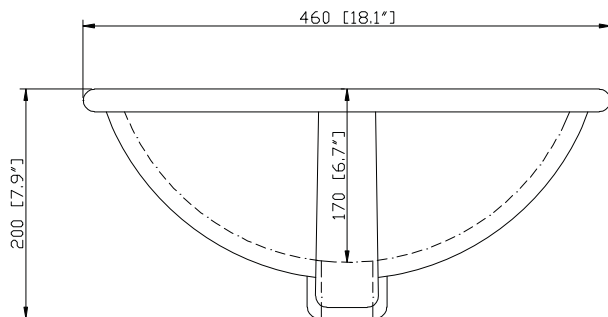
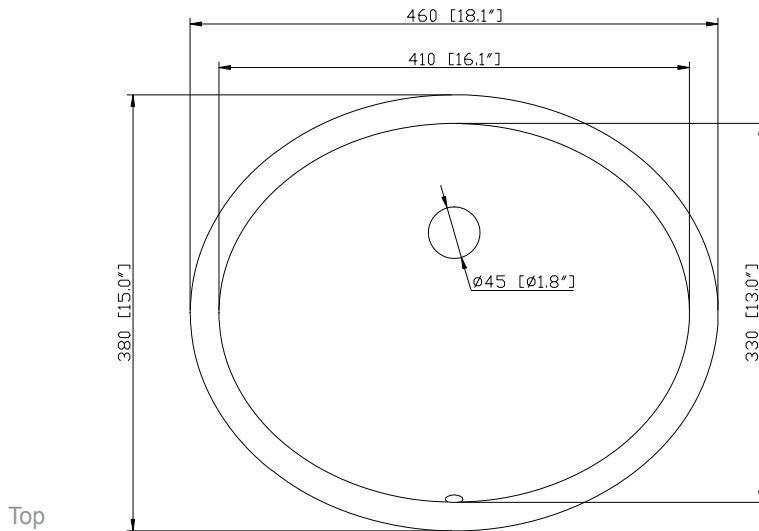
- 18.1W x 15D x 7.9H inches
- 458 x 380 x 200 mm



Components

Drain	VC-DRAIN-CP	VC-DRAIN-BN					
Vanity Top	SUT25BK	SUT25CW	SUT25GB	SUT31BK	SUT31CW	SUT31GB	SUT37BK
	SUT37GB	SUT37CW	SUT49CW	SUT49GB	SUT49BK	SUT61BK	SUT61CW
	SUT61GB	SUT73BK	SUT73CW	SUT73GB			

Product Diagrams



Front

Side