

CFEH2411UW

FREESTANDING RANGE

24" ELECTRIC



AVAILABLE COLOURS



White

PRODUCT DIMENSIONS

| | |
|----------------------|---------|
| Height (Max.) | 36" |
| Width | 23-1/2" |
| Depth (Incl. Handle) | 23-5/8" |

MORE EASY-TO-USE FEATURES

Colour-Coordinated Knobs
Stylish knobs that match the finish of the range.

CERTIFICATIONS

A.D.A.- Compliant

When properly installed, this model is A.D.A.-qualified based on the United States Access Board's A.D.A./A.B.A. Accessibility Guidelines and the Department of Justice's 2010 A.D.A. Standards for Accessible Design.



| ELEMENTS | SIZE | WATTS |
|-------------|---------|-------|
| Right Front | 8" Coil | 2,400 |
| Right Rear | 6" Coil | 1,500 |
| Left Front | 6" Coil | 1,500 |
| Left Rear | 8" Coil | 2,400 |

SIGNATURE FEATURES

Compact Design Fits Small Spaces

24" Electric Range is perfect for smaller kitchens.

Faster, More Even Baking with Quick Bake

A third heating element and single convection fan circulate hot air throughout the oven for faster and more even multi-rack baking.

Cleanup is Easier with Hidden Bake

The hidden heating element helps keep bottom of your oven clean.

Storage Drawer

Convenient storage drawer offers extra space to store your cookware.

CFEH2411UW FREESTANDING RANGE

24" ELECTRIC

FRIGIDAIRE

FEATURES

| | |
|-------------------------------|------------------------------|
| Oven Control/Timing System | Ready-Select® Controls |
| Surface Type | Colour-Coordinated Porcelain |
| Window | Extra-Large |
| Exterior Door Finish | Black Glass |
| Handle Design | Colour-Coordinated |
| Exterior Finish (Side Panels) | Colour-Coordinated |
| Oven Cleaning System | Manual Clean |
| Drawer Functionality | Storage |

OVEN CONTROLS

| | |
|--------------------|-----|
| Bake | Yes |
| Broil | Yes |
| Kitchen Timer | Yes |
| Timed Cook Option | Yes |
| Auto Oven Shut-Off | Yes |
| Oven Lock-Out | Yes |

COOKTOP FEATURES

| | |
|-----------------------------|---------------------|
| Right Front Element (Watts) | 8" - 2,400 |
| Right Rear Element (Watts) | 6" - 1,500 |
| Left Front Element (Watts) | 6" - 1,500 |
| Left Rear Element (Watts) | 8" - 2,400 |
| Element-On Indicator Light | 2 |
| Coil Cooktop/Drip Bowls | Yes/Black Porcelain |

OVEN FEATURES

| | |
|------------------------------------|--------------------|
| Capacity (Cu.Ft.) | 1.9 |
| Oven Light | 1 Halogen |
| Hidden Bake Element | Yes |
| Rack Configuration | 2 Standard |
| Baking System | Quick Bake |
| Broiling System | VariBroil™ (Hi/Lo) |
| Bake Element/Broil Element (Watts) | 1,000/800 |

CERTIFICATIONS

| | |
|-------------------------------|-----|
| A.D.A. Compliant ¹ | Yes |
|-------------------------------|-----|

SPECIFICATIONS

| | |
|--|-----------------------------|
| Oven Interior (H x W x D) | 15-3/4" x 17-7/8" x 17-3/4" |
| Power Supply Connection Location | Middle Bottom Rear |
| Voltage Rating | 240V / 208V / 60Hz |
| Connected Load (kW Rating) @ 240/208 Volts | 8.6/6.4 kW |
| Minimum Circuit Required (Amps) | 40 |
| Shipping Weight (Approx.) | 128 Lbs. |

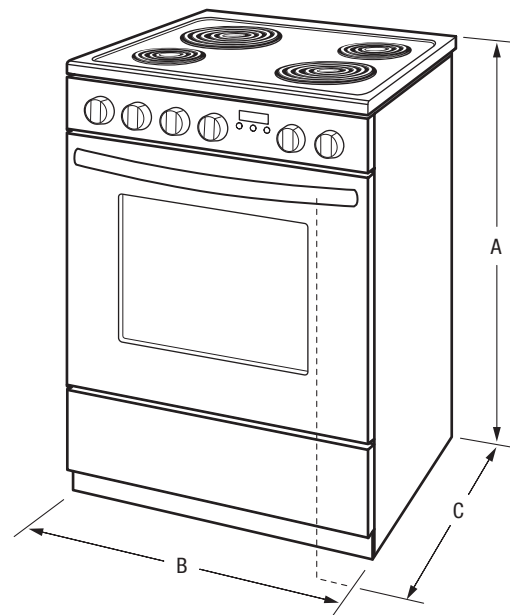
¹When properly installed, this model is A.D.A.-qualified based on the United States Access Board's A.D.A./A.B.A. Accessibility Guidelines and the Department of Justice's 2010 A.D.A. Standards for Accessible Design.

PRODUCT DIMENSIONS

| | |
|--------------------------|---------|
| A - Height (Max.) | 36" |
| B - Width | 23-1/2" |
| C - Depth (Incl. Handle) | 23-5/8" |
| Depth with Door Open 90° | 41-1/2" |

CUTOUT DIMENSIONS

| | |
|-------------------|-----|
| Height (Standard) | 36" |
| Width (Min.) | 24" |
| Depth (Min.) | 25" |



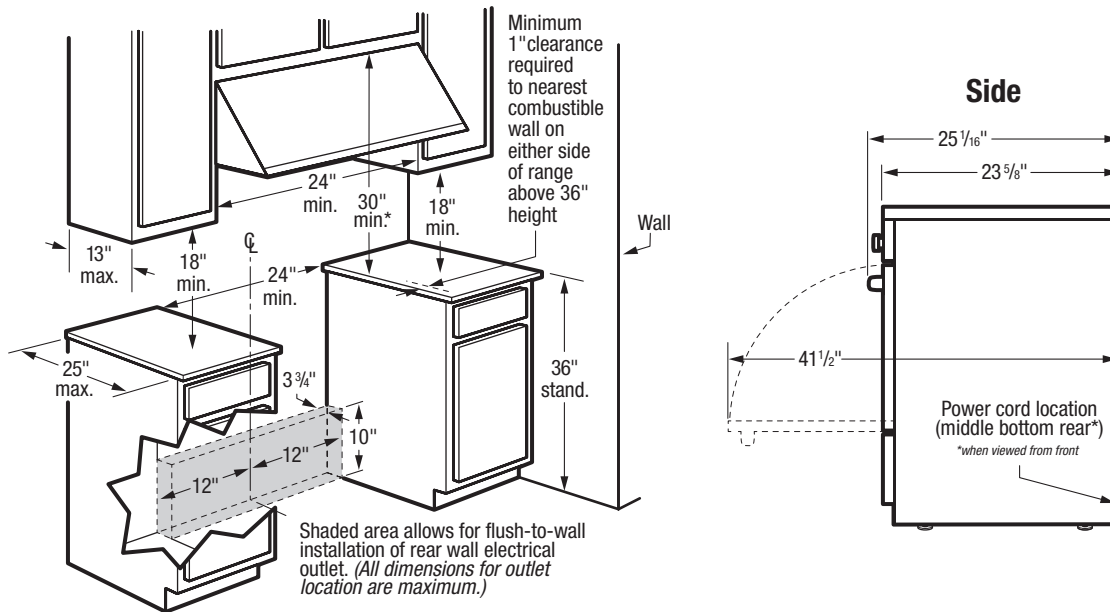
Note: For planning purposes only. Always consult local and national electric, gas and plumbing codes. Refer to Product Installation Guide for detailed installation instructions on the web at frigidaire.ca.

Specifications subject to change. Accessories information available on the web at frigidaire.ca

FRIGIDAIRE

CANADA • 5855 Terry Fox Way • Mississauga, ON L5V 3E4 • 1-800-265-8352 • frigidaire.ca

CFEH2411U 04/19
© 2018 Electrolux Major Appliances, NA



***Note:** 30" minimum clearance between top of cooking surface and bottom of unprotected wood or metal overhead cabinet; or 24" minimum clearance when bottom of wood or metal overhead cabinet is protected by not less than 1/4" flame-retardant millboard covered with not less than No. 28 MSG sheet steel, 0.015" stainless steel, 0.024" aluminum or 0.020" copper. 0" clearance is minimum for rear of range. Follow all dimension requirements provided above to prevent property damage, potential fire hazard, and incorrect countertop and cabinet cuts.

INSTALLATION SPECIFICATIONS

- Product Shipping Weight (approx.) – 128 Lbs.
- Single phase 3- or 4-wire cable, 120/240 or 120/208 Volt, 60 Hertz, fused on both sides of line with ground.
- Connected Load (kW Rating) @ 240/208 Volts = 8.6/6.4 kW
- Recommended Circuit Breaker – 40 Amps
- Always consult local and national electric codes.
- Make sure wall coverings around range can withstand heat generated by range.
- Floor beneath range MUST be solid and level.
- Overhead cabinetry should not exceed a 13" maximum depth.
- Absolute minimum horizontal distance between overhead cabinets installed to either side of appliance must be no less than maximum width of appliance.
- Range can be installed flush to wall with 0" minimum rear clearance.
- Minimum 1" clearance required from edge of rangetop to nearest combustible wall on either side of range above 36" height.
- Allow 30" minimum clearance between top of cooking surface and bottom of unprotected wood or metal overhead cabinet; or 24" minimum clearance when bottom of wood or metal overhead cabinet is protected by not less than 1/4" flame retardant millboard covered with not less than No. 28 MSG sheet steel, 0.015" stainless steel, 0.024" aluminum or 0.020" copper.
- To reduce risk of fire when using overhead cabinetry, install range hood that projects horizontally a recommended minimum of 5" beyond bottom of cabinets.
- Follow all dimension requirements provided to prevent property damage, potential fire hazard, and incorrect countertop and cabinet cuts.

