



SPECIFICATIONS, LISTINGS AND APPROVALS

- Toggle Component:** Carbon Steel AISI 1008/1010, Zinc plated as per ASTM-B-633 Type III SCl.
- Bolt Component:** Carbon steel AISI 1022, Zinc plated as per ASTM-B-633 Type III SCl.
- Strap & cap Component:** Plastic
- Available Sizes:** 10 - 24 & 1/4" - 20 (UNC) Imperial
M5 & M6 (ISO 261) Metric

KEY FEATURES & BENEFITS

- ▶ Ideal for all type of hollow wall, up to 3" (75 mm) thick
- ▶ Requires a 1/2" (13 mm) hole
- ▶ Fast and easy installation
- ▶ New one strap design for easier insertion and flipping operation
- ▶ Can be used with any bolt length
- ▶ Superior holding power

INSTALLATION INSTRUCTIONS

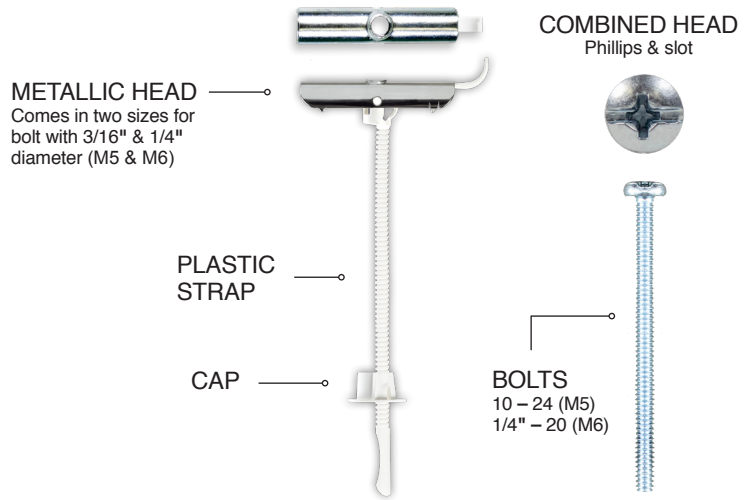
1. Drill a hole of the recommended size.
2. Flip the metallic head of the FlipToggle® as shown, in order for it to be in line and secured onto the plastic strap.
3. Insert the FlipToggle® into the drilled hole.
4. When completely inserted, pull the plastic strap towards you which will flip the toggle flat against the back of the wall.
5. Hold the strap towards you while pushing the cap until reasonably tight against the wall.
6. Place your thumb on the strap next to the cap and bend downward sharply to snap off the excess of the strap flush with the wall.
7. Insert the bolt through the fixture, into the anchor and tighten it securely to the metallic head.

CAUTION : Always wear safety glasses.

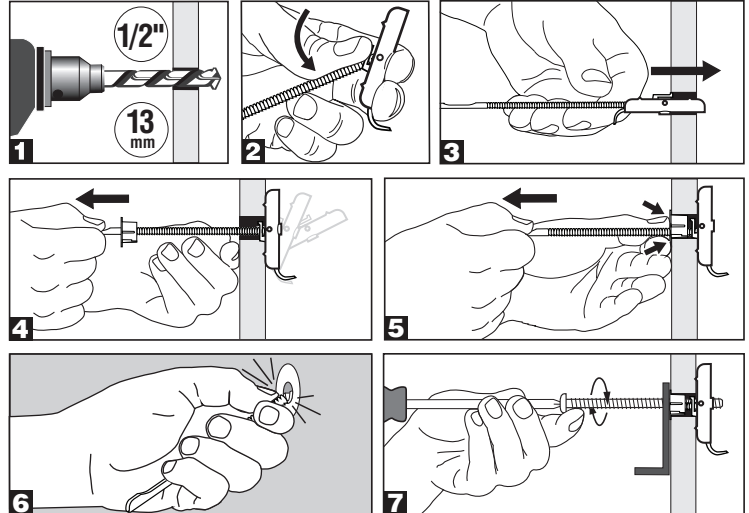
Follow the drill manufacturer's safety instructions. Use only solid carbide tipped drill bits meeting ANSI B212.15 diameter standard.

NOTES:

- Technical data is provided for a proper use of the anchor.
- Safe working loads represent a safety factor of 2:1 from ultimate test loads. To meet recommended load capacity, use the recommended style and drill size.
- You must have at least 2.5" (63.5mm) of space behind the wall.
- A minimum of 1,5" (38mm) between anchors is recommended to prevent material deterioration
- Loads may vary according to the quality of the drywall or hollow block.

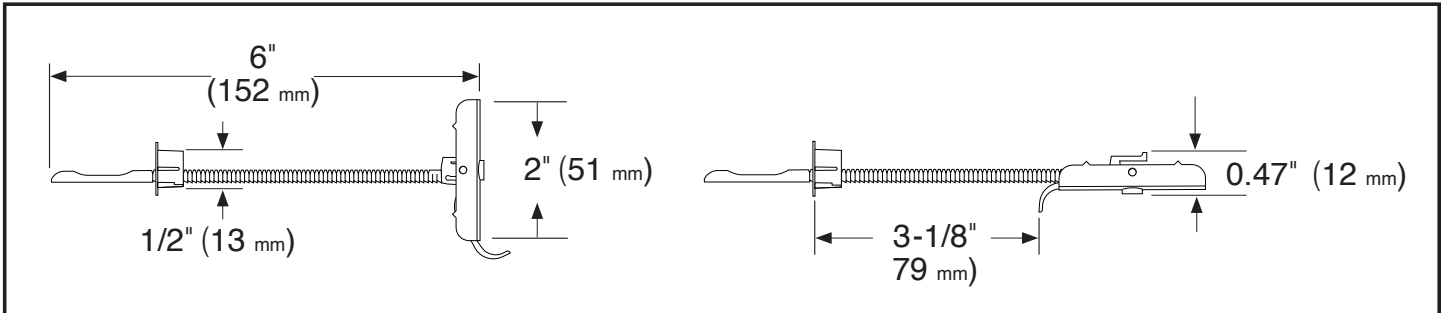


MATERIALS



TOOLS REQUIRED





IMPERIAL FORMAT — SAFE WORKING LOADS 2:1**							
ANCHORS PARAMETERS*		DRYWALL 1/2"		DRYWALL 5/8"		HOLLOW CONCRETE BLOCK	
ANCHOR SIZE	BOLT SIZE	TENSION lb	SHEAR lb	TENSION lb	SHEAR lb	TENSION lb	SHEAR lb
3/16"	10 – 24 X 2-1/2"	67 lb	106 lb	107 lb	188 lb	415 lb	435 lb
1/4"	1/4" – 20 X 2-1/2"	74 lb	137 lb	120 lb	209 lb	535 lb	600 lb

METRIC FORMAT — SAFE WORKING LOADS 2:1**							
ANCHORS PARAMETERS*		DRYWALL 13 mm		DRYWALL 16 mm		HOLLOW CONCRETE BLOCK	
ANCHOR SIZE	BOLT SIZE	TENSION kg	SHEAR kg	TENSION kg	SHEAR kg	TENSION kg	SHEAR kg
M5	5.0 mm x 60 mm	38 kg	57 kg	52 kg	74 kg	203 kg	204 kg
M6	6.0 mm x 60 mm	40 kg	64 kg	55 kg	72 kg	216 kg	249 kg

* For a complete list of the different packaging formats available please visit our website cobraanchors.com

** Loads may vary according to the quality of the drywall or concrete hollow block.