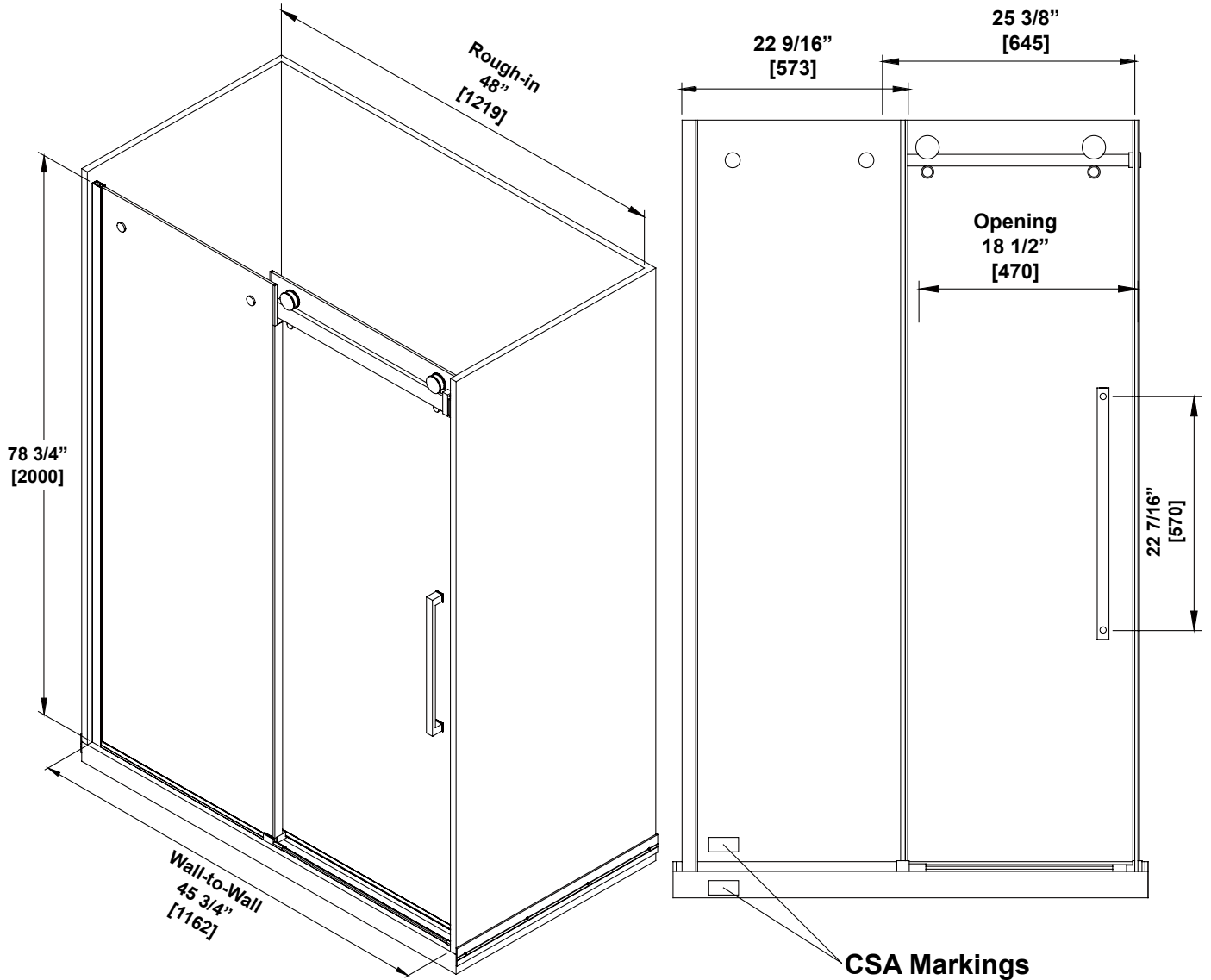


Measures: inch [millimeter]

Glass panel only



An installation video guide can be found on our Youtube channel.
<https://youtu.be/5uKylkdZqac>

Purchase date: _____

Product Tracking Reference: _____



Questions, problems, missing parts?
Before returning to your retailer, call our customer service department at
1-866-839-2888, 9 a.m. - 5 p.m., EST, Monday - Friday

SAFETY INFORMATION

CAUTION

Please carefully read the following important safety information before handling or installing this shower. There is a risk of serious injury while handling this product. To minimize these risks, please note:

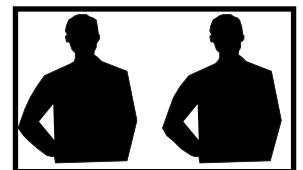
- Always wear safety glasses and gloves while handling.
- Always read and follow all the steps in the installation instructions.
- Inspect all contents and glass for damage before installation.
- Extreme caution should be taken while handling the glass during installation as the tempered glass may shatter if in contact with a hard surface.
- Handle the tempered glass with caution! Improperly handling the glass can cause it to break suddenly in small pieces (never in pointed fragments).
- Always take all precautions not to touch the tempered glass with any tools during the installation, or after installed.
- Do not cut or modify the tempered glass as it will shatter if cut.
- Carefully remove product from packaging and keep packaging until installation is complete.
- Inspect all parts for damage; if there is damage to the unit prior to installation, please contact customer service at the number provided in this guide.
- Install the shower on a floor that is level and able to accommodate the weight of the unit and an occupant.
- Consult local building codes and compliance standards prior to installation and ensure conformity.
- After installation, and from time to time, check the glass for fit and finish to ensure that nothing has come loose since installation.
- Keep this installation manual for future reference.

NOTICE

- Any modification or alteration from what is specified in this instruction manual will void any and all warranty on this product.
- The distributor is not responsible for any damage to the unit or personal property caused by improper installation. If you disregard instructional warnings, you will void your warranty and possibly deal with water damage.
- Consult www.ovedecors.com for any additional information or question on this product's installation.

PREPARATION

You will need at least two people to install this unit properly.



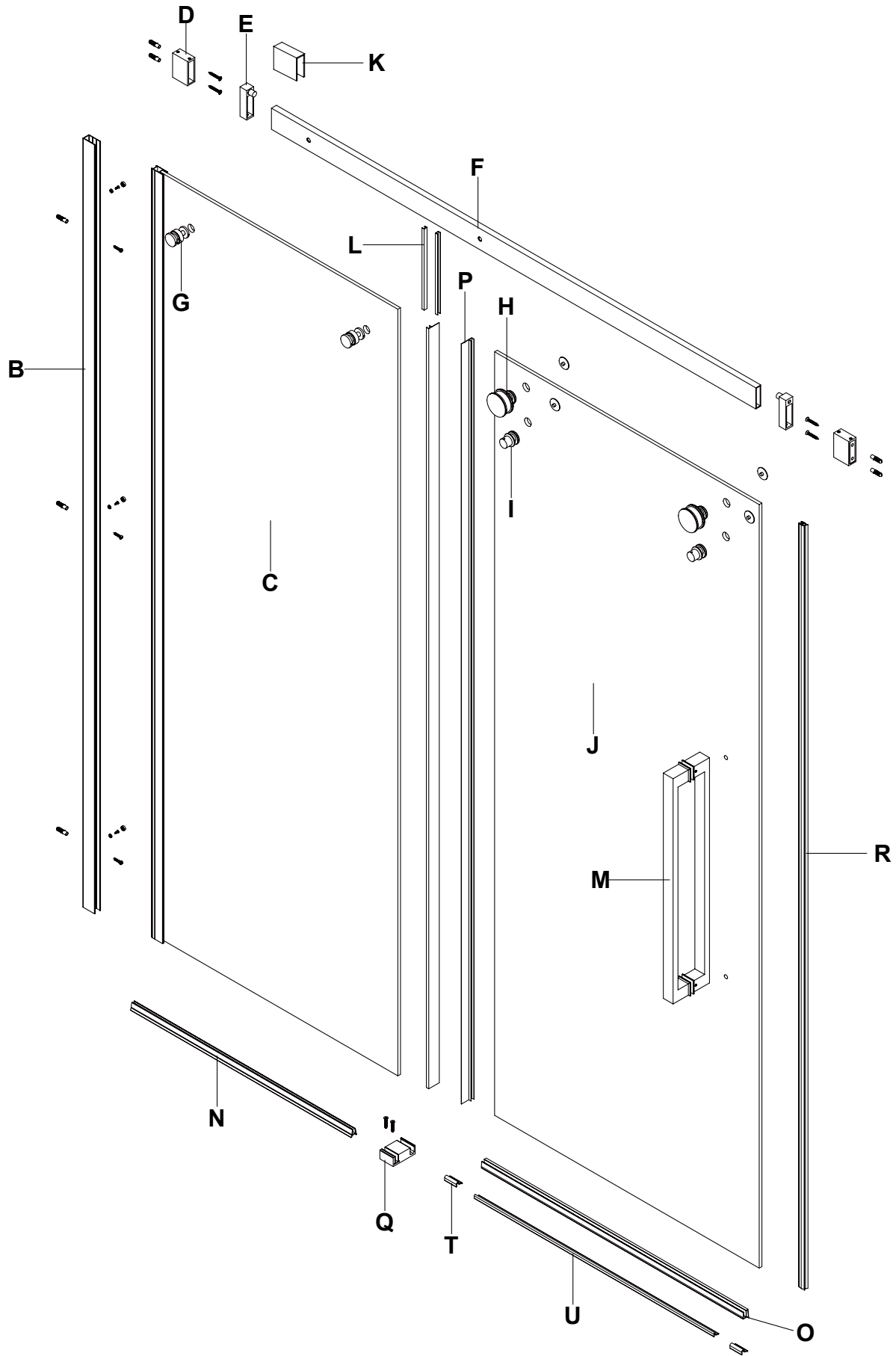
Before beginning assembly of product, make sure all parts are present. Compare parts with package contents list and hardware contents list. If any part is missing or damaged, do not attempt to assemble the product.

Estimated Assembly Time: Shower (60 min).

TABLE OF CONTENT

PACKAGE CONTENT.....	5
HARDWARE CONTENT.....	6
TOOLS REQUIRED.....	6
SHOWER REVERSIBILITY.....	7
WALL TO WALL MEASURES.....	7
BASE INSTALLATION GUIDELINES (OPTIONAL).....	8
WALL TRACK INSTALLATION.....	9
FIXED PANEL INSTALLATION.....	10
SUPPORT BAR INSTALLATION.....	11
DOOR PANEL INSTALLATION.....	12
HANDLE INSTALLATION & SEALING.....	13
LIMITED PRODUCT WARRANTY.....	14
CARE AND MAINTENANCE.....	14

PACKAGE CONTENT

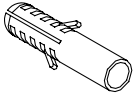


PACKAGE CONTENT

PART#	DESCRIPTION	QTY	CODE
B	Aluminum wall track	1	Matt Black: 99STR1181-WM
C	Fixed glass panel	1	Matt Black: 99SG100100-WM
D	Support bar's anchors	2	Matt Black: 99SGC2048-WM
E	Shower door stoppers	2	Matt Black: 99SDS0023-WM
F	Support bar	1	Matt Black: 99SGS1053-WM
G	Fixed panel's brackets	2	Matt Black: 99SGC2049-WM
H	Door rollers	2	Matt Black: 99SWE0063-WM
I	Anti-jump pegs	2	Matt Black: 99SWE0064-WM
J	Door panel	1	99SGD0010-WM
K	Aluminum profile	1	Matt Black: 99STR1183-WM
L	Short seal strips	2	99SRU0063
M	Door handle	1	Matt Black: 99SHA1072-WM
N	Fixed panel's bottom seal strip	1	99SRU0041
O	Door bottom seal strip	1	99SRU0028
P	Glass panels vertical seal strips	2	99SRU0026
Q	Sliding door guide (with its rubber fitting)	1	Matt Black: 99SGC2050-WM
R	Door panel vertical seal strip	1	99SRU0027
T	Decorative end caps	2	Matt Black: 99SHW0198-WM
U	Decorative aluminium track	1	Matt Black: 99STR1182-WM
V	Hardware content	1	Matt Black: 99SHW0199-WM

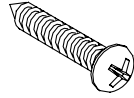
HARDWARE CONTENT

AA



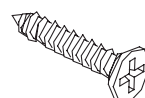
Wall Anchor
ø8x30mm
7+2

BB



Screw
ST5x30mm
3+1

CC



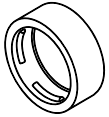
Screw
ST5x25mm
2+1

DD



Screw
ST4x12mm
3+1

EE



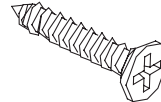
Cap
3x

FF



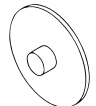
Fitting
3x

GG



Screw
ST5x35mm
4+1

HH



Cap
4x

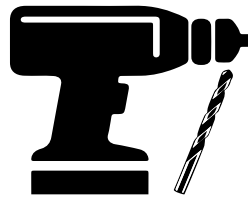
TOOLS REQUIRED



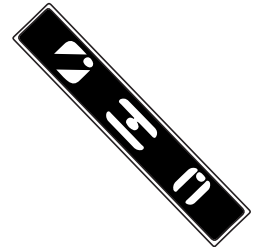
Pencil



Screwdriver



Drill with ceramic tile bits
ø3mm (1/8in) & ø4mm (5/32in) & ø8mm (5/16in)



Level



Measuring Tape



Silicone



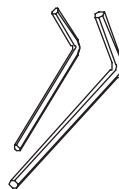
Rubber mallet



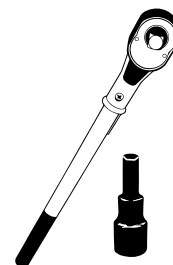
Cutter



Safety glasses



Allen key
2.5mm & 5mm

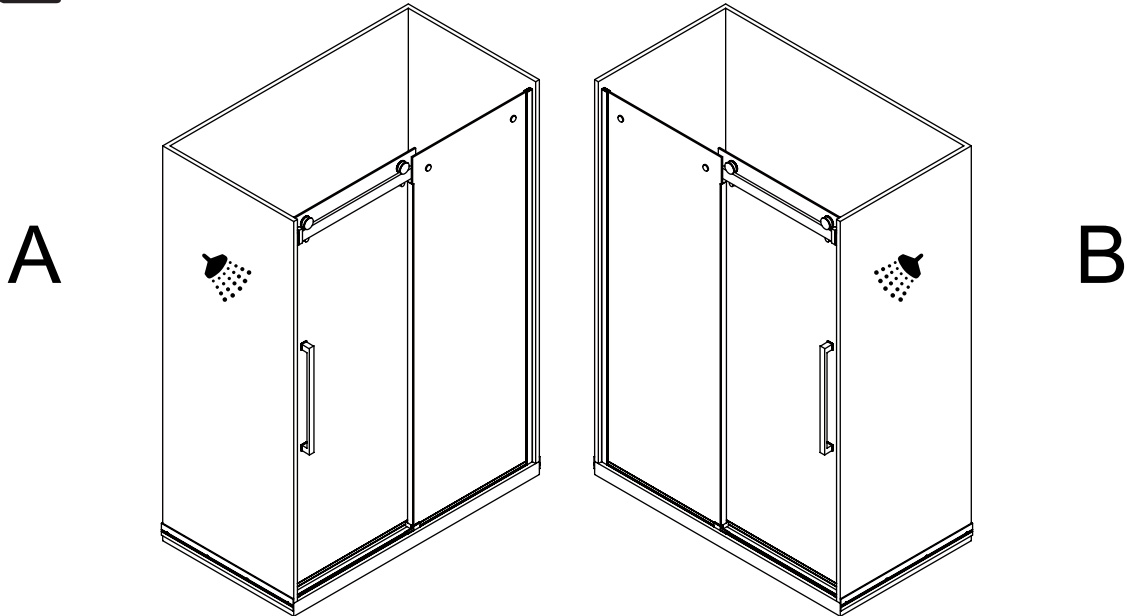


5mm Bit socket

SHOWER REVERSIBILITY

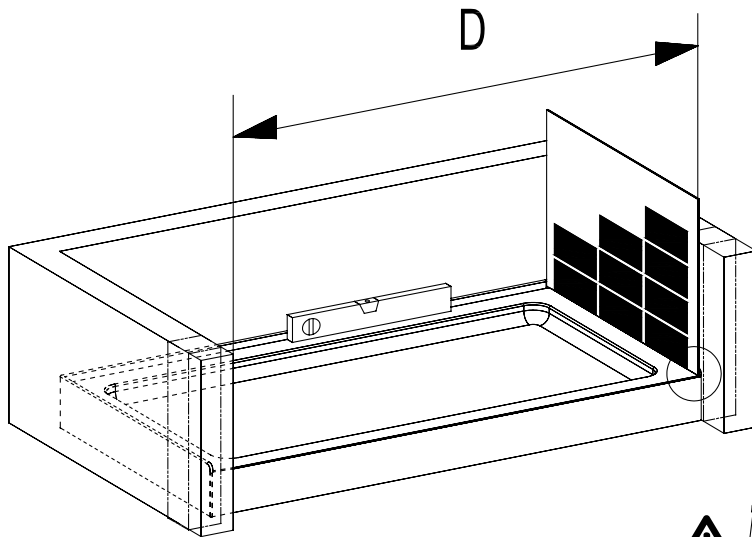
- This instruction is drawn up for an opening from right to left (see illustration B).
- For an installation from left to right (see illustration A), use the same instructions, but switch around the panels: mirror effect.

! Install the shower head on the door's side! This will reduce the risk of leaking.



WALL TO WALL MEASURES

- Measure the thickness of your tiles on either side before installing the metal tracks. A thicker tile will limit your space to install the shower panels.
- Make sure to have a tile to tile distance (D) between 1162mm (45 3/4 in) min. and 1188mm (46 3/4 in) max. (see image).



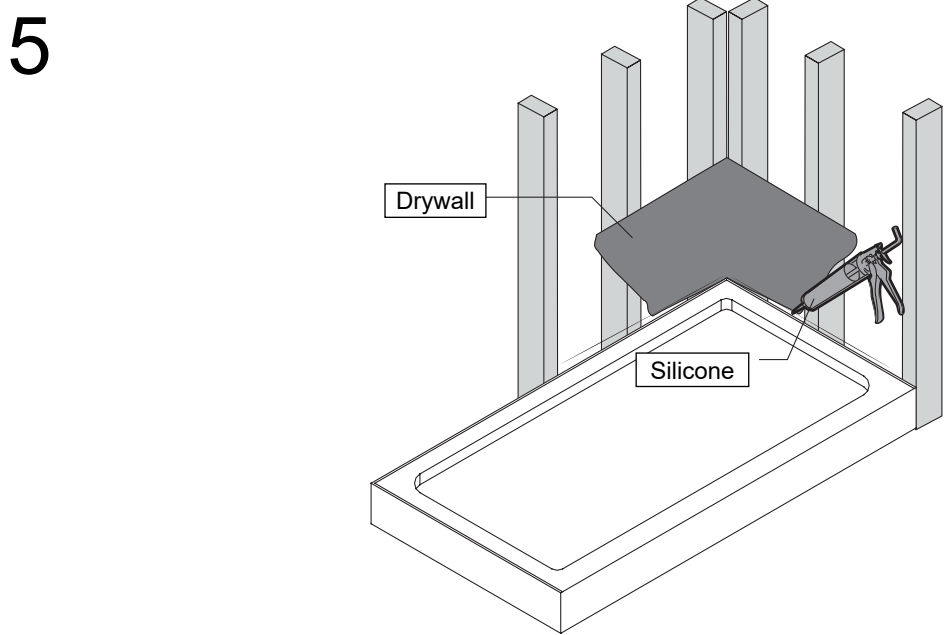
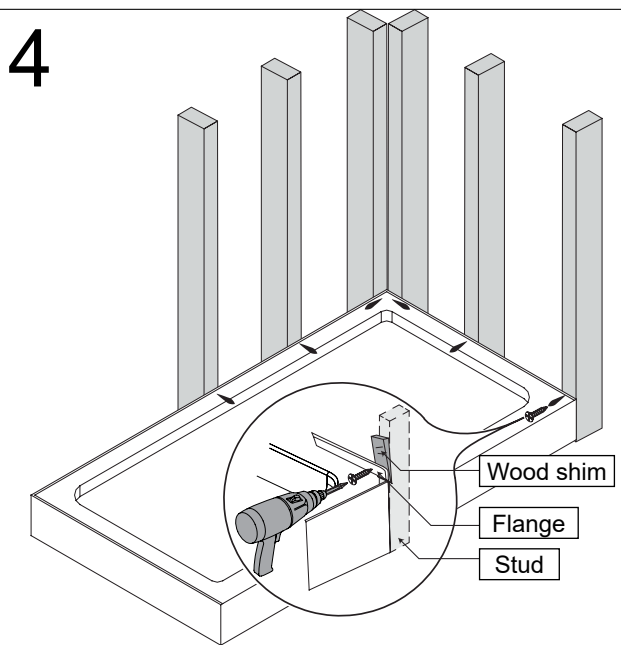
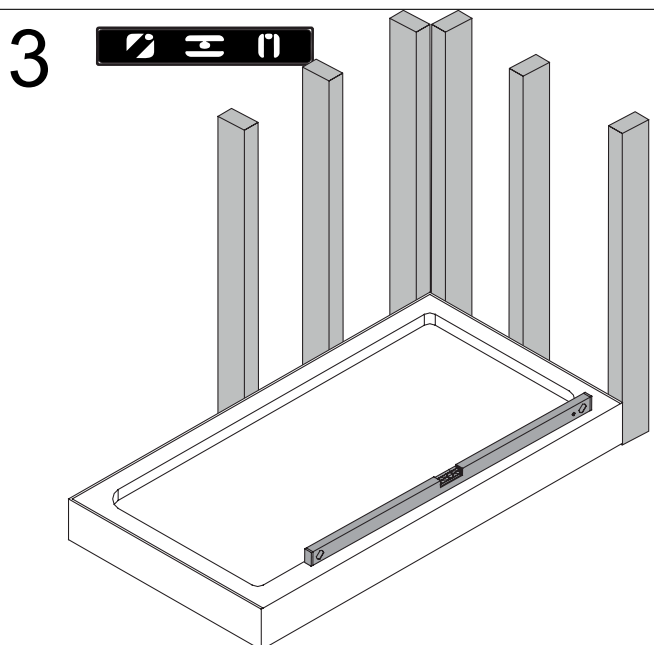
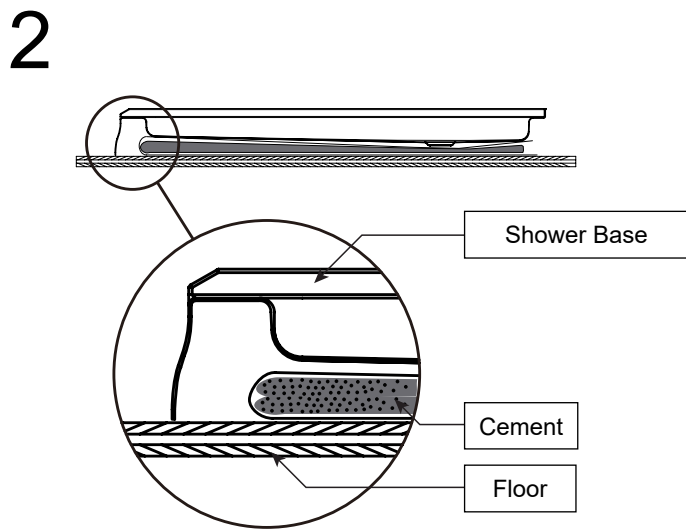
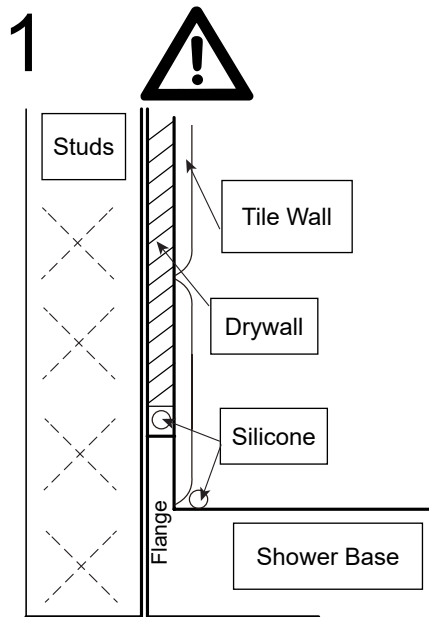
Make sure to have a distance (D) from the left side tile to the right side tile:

D Min: 1162mm (45 3/4 in)
D Max: 1188mm (46 3/4 in)



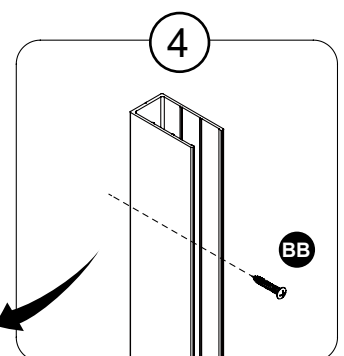
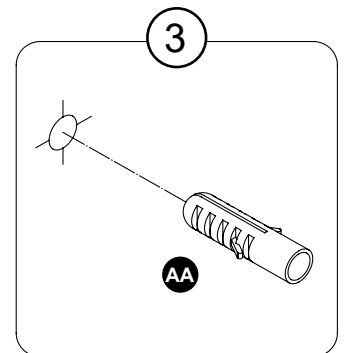
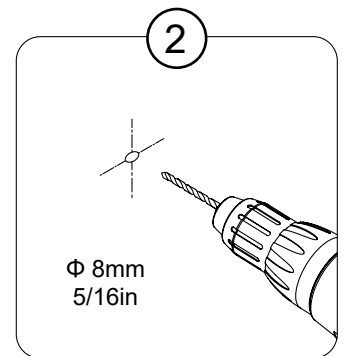
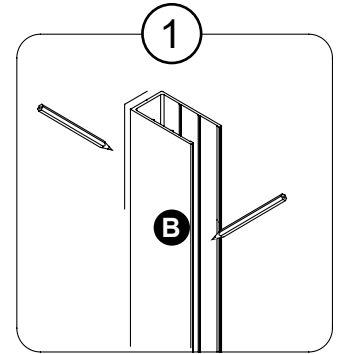
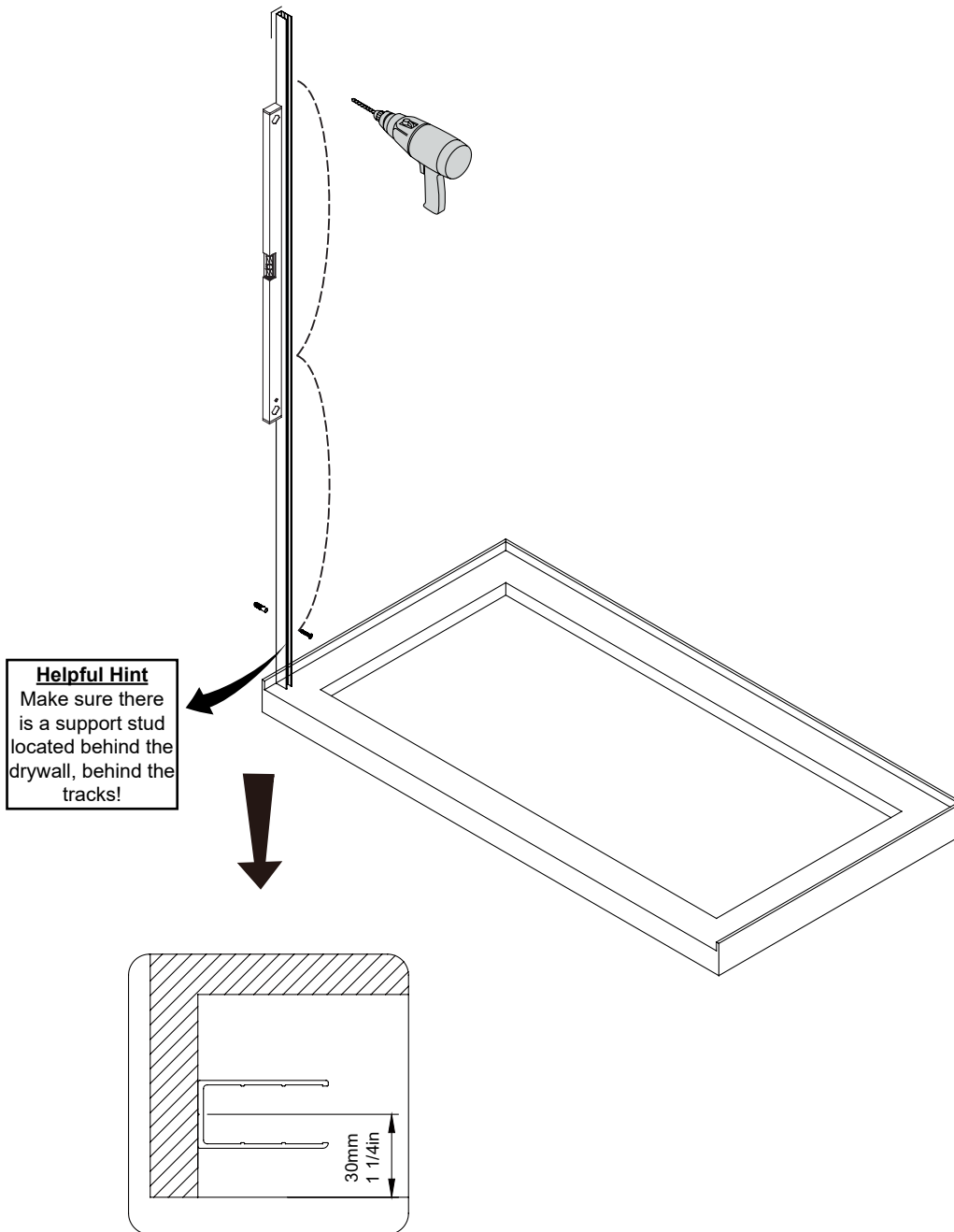
If $D < 1162\text{mm}$ (45 3/4 in) you can cut the support bar to adequate size. Only cut the side with no holes!

BASE INSTALLATION GUIDELINES (OPTIONAL)



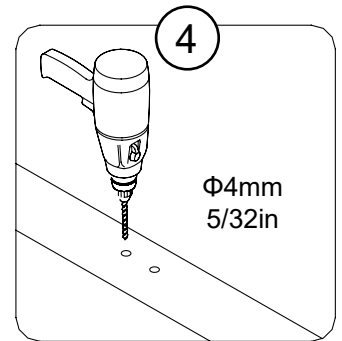
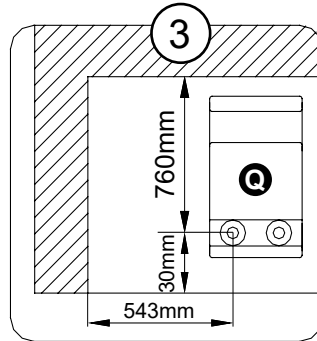
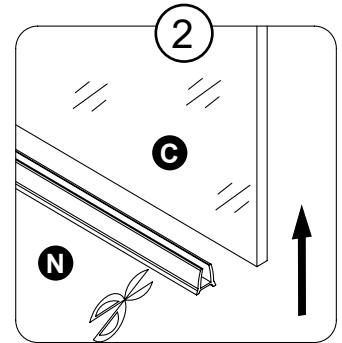
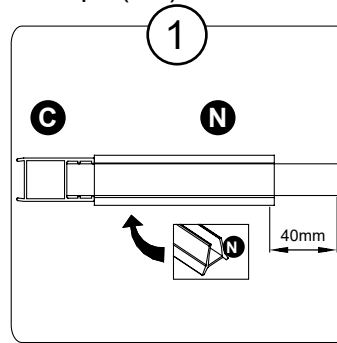
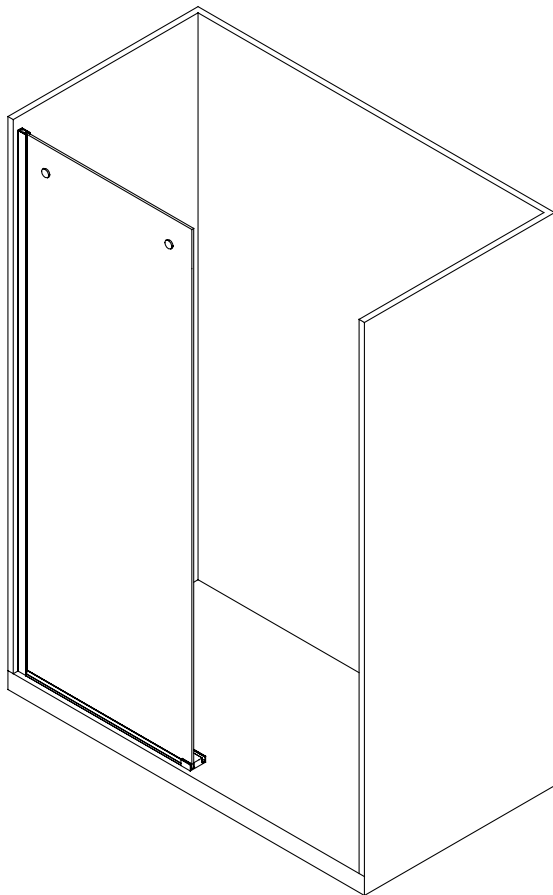
WALL TRACK INSTALLATION

1. Ensure the base and walls are leveled. Place the metal track (B) approximately 30mm (1-1/4in) from the edge of the base to the center of the metal track. Ensure the metal track (B) is leveled, then mark the holes clearly on the wall.
2. Remove track and drill pilot holes in the marked locations with a $\Phi 8\text{mm}$ (5/16in) drill bit.
3. Insert the wall anchors (AA) using a rubber mallet until the wall anchors are flush with the wall.
4. Replace and secure the metal track (B) with screws (BB). Do not overtighten.

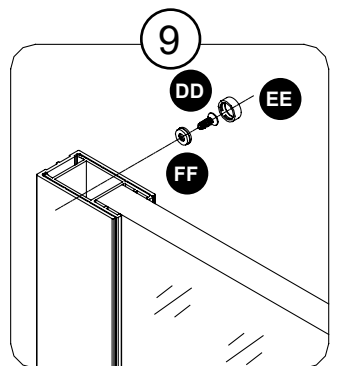
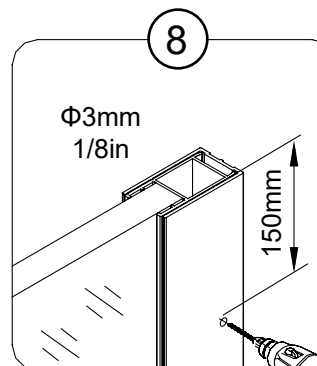
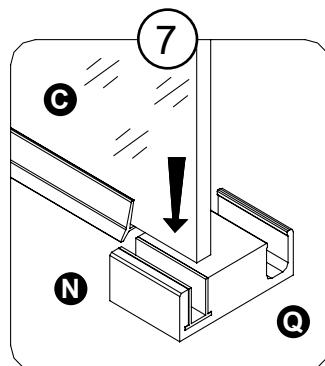
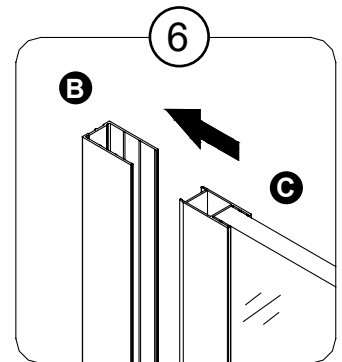
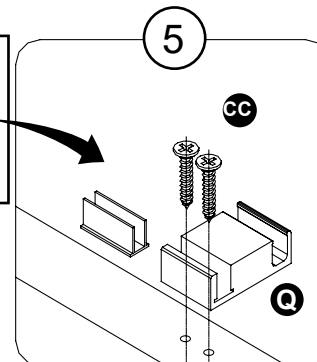


FIXED PANEL INSTALLATION

- 1-2. Insert the fixed panel's bottom seal strip (N) at the base of the fixed glass panel (C). Cut the surplus part with a cutter to size, about 40mm from the panel's edge.
3. Place the sliding door guide (Q) on the base.
4. Mark the positions of holes of the sliding door guide (Q) with a pencil, and drill pilot holes with a $\varnothing 4\text{mm}$ (5/32in) drill bit.
5. Fix the sliding door guide (Q) with the screw (CC). Ensure the plastic gasket in the guide is in place as it protects the fixed glass panel.
- 6-7. Place the fixed glass panel (C) into the wall track (B) and the sliding door guide (Q).
- Note: The wall track (B) allows you to adjust the position of the fixed glass panel (C). Adjusting the depth and/or giving the fixed glass panel a slight angle allows for precise alignment with the door.**
8. Drill the fixed panel (C) with $\Phi 3\text{mm}$ (1/8in) in 3 places.
9. Secure the wall track (B) using screws (DD), fittings (FF) and caps (EE).



Helpful Hint
Add a drop of silicone in the holes before inserting the screws

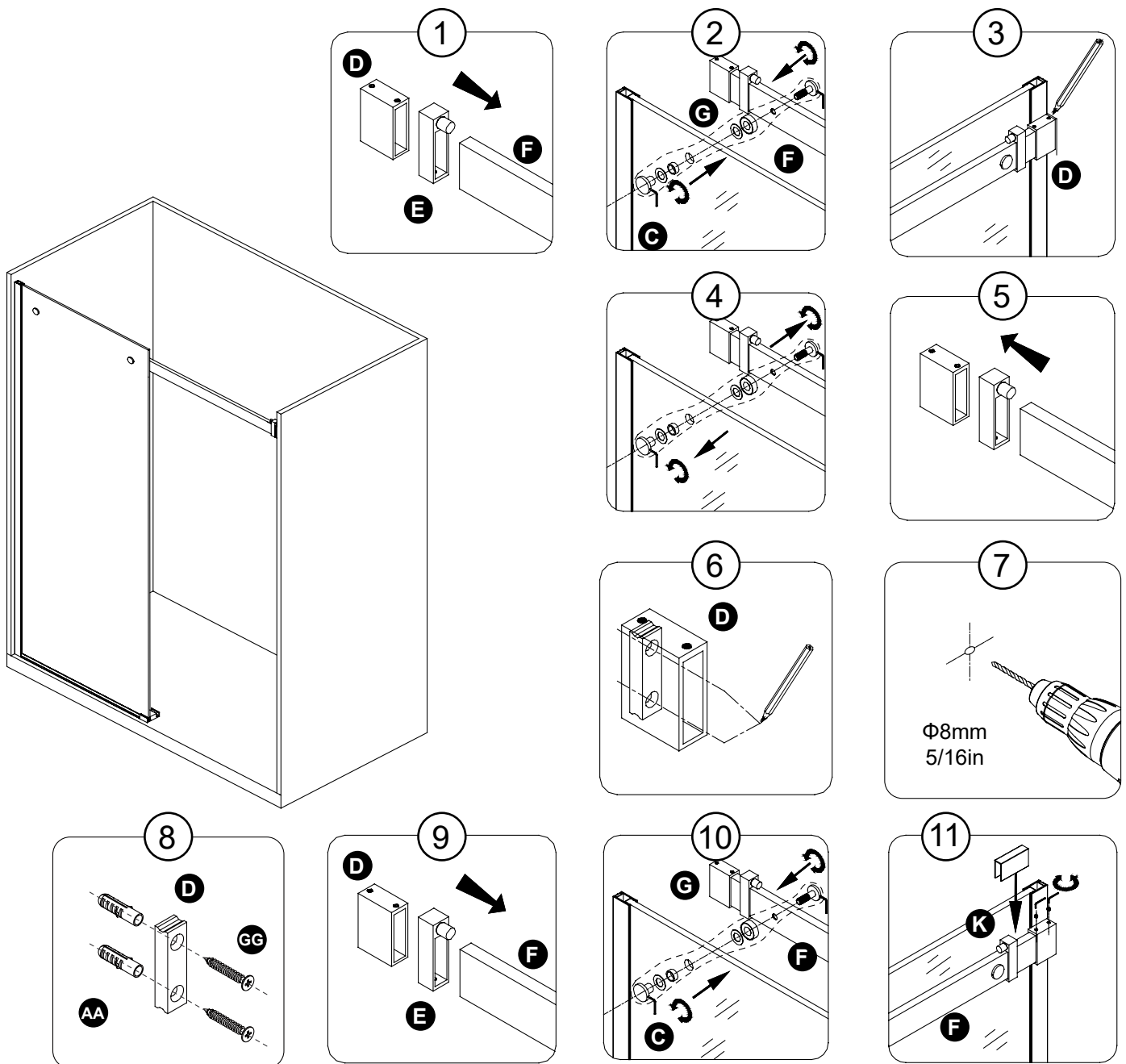


SUPPORT BAR INSTALLATION

1. Slide the 2 stoppers (E) and the 2 support bar's anchors (D) onto the support bar (F).
2. Loosely mount the support bar (F) onto fixed glass panel (C) using the brackets (G) and level it.
3. Mark the outline of the 2 support bar's anchors (D) on the wall.
- 4-6. Completely remove the support bar. Place the 2 support bar's anchors (D) back on their wall mark, then mark their center on the wall.

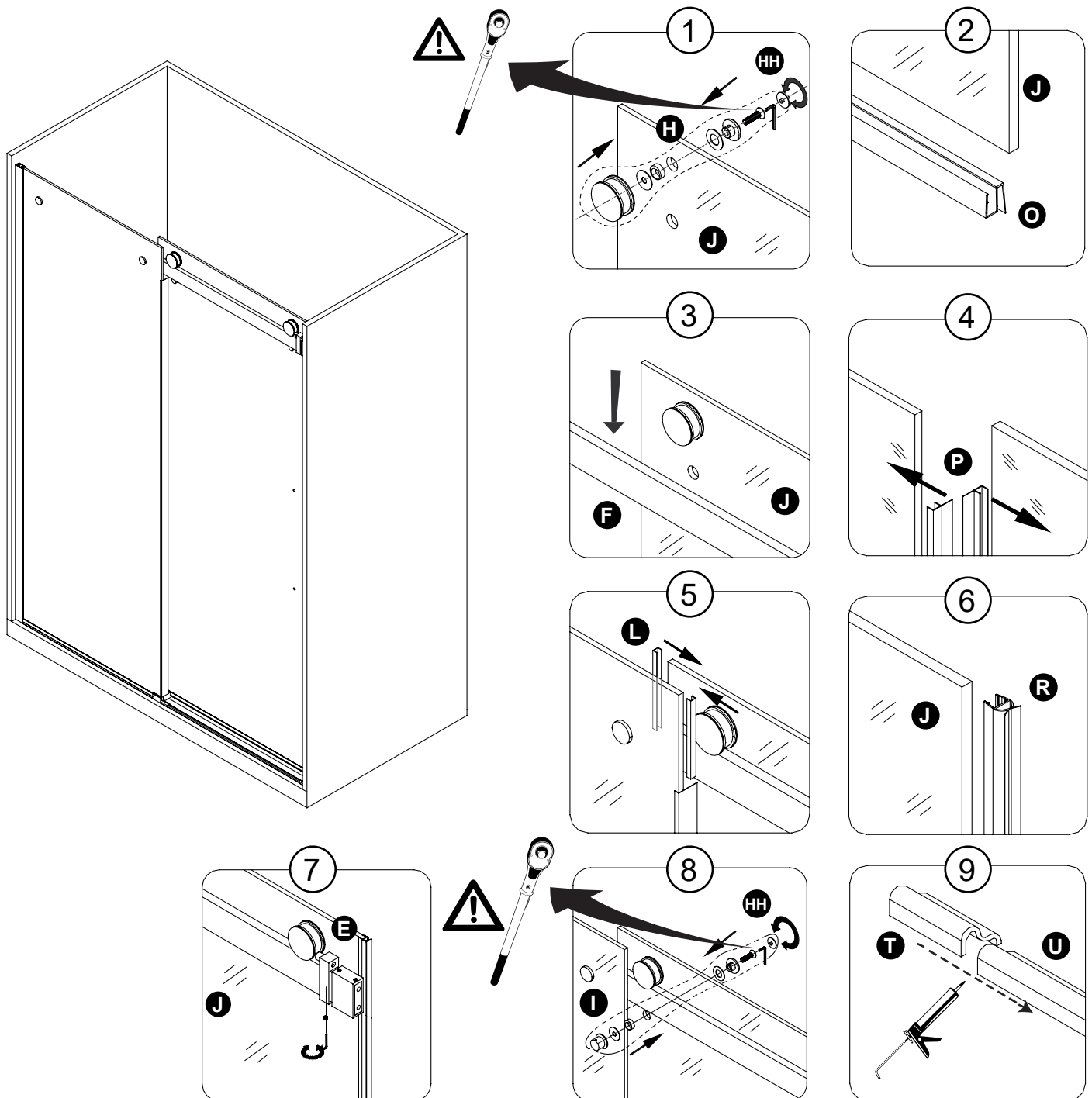
Note: Before continuing, place the door panel (J) inside the shower enclosure to facilitate future steps!

7. Drill a hole on the center marks and insert the wall anchors (AA) using a rubber mallet.
8. Fix the center fitting of the support bar's anchors (D) using the screws (GG).
9. Slide again the roller stoppers (E) and the support bar's anchors (D) onto the support bar (F). Then fix the support bar to the wall.
10. Fix the fixed panel (C) onto the support bar (F) using the brackets (G).
11. Secure the support bar (F) on their anchors using the provided hex screws. Install the aluminum profile (K) between the roller stopper and support bar's anchors.



DOOR PANEL INSTALLATION

1. Install the 2 top rollers (H) on the door glass panel (J). Use a ratchet to strongly tighten the bolts.
2. Insert the door bottom seal strip (O) onto the door panel (J).
3. Gently hang the door panel by its 2 top rollers on the support bar (F) and make sure to place the bottom of the door inside the guide (Q).
- 4-6. Install the 2 glass panels seal strips (P). Cut the top surplus part with a cutter so that the rollers do not hit the seal strip when opening the door. Install the 2 small seal rubber strips (L) onto the glass panels. Install the door's vertical seal strip (R) on the closing end. Cut the surplus part with a cutter to size.
7. Position the 2 roller stoppers (E) in order to block the door panel (J) from hitting the walls either when opening it or closing it. Use the Allen key to strongly secure the stoppers when their final position is found.
8. Install the 2 anti-jump pegs (I) on the door glass panel (J). Use a ratchet to strongly tighten the bolts.
9. Using silicone, install the decorative metal track (U) in front of the door panel. Slide the decorative end caps (T) onto the track.



HANDLE INSTALLATION & SEALING

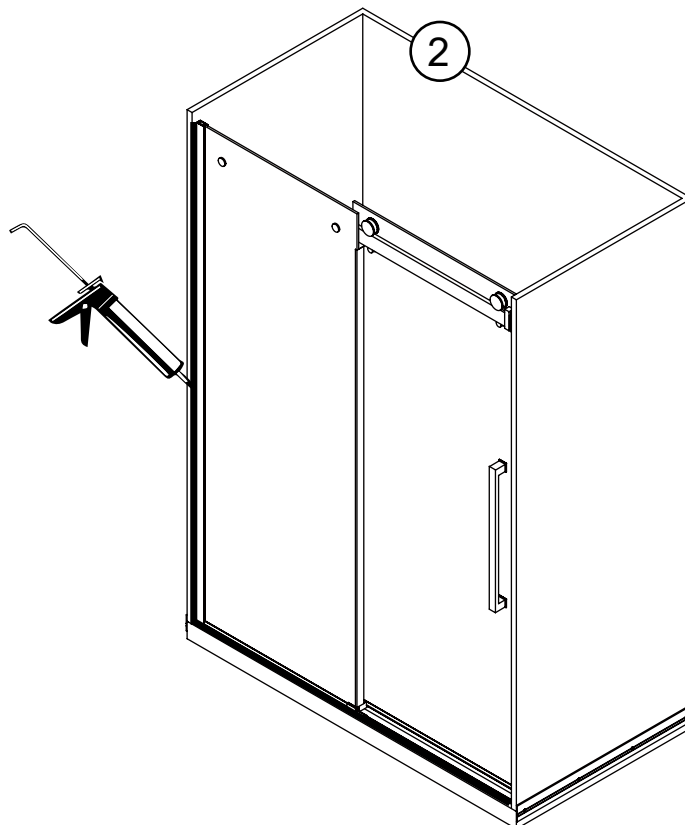
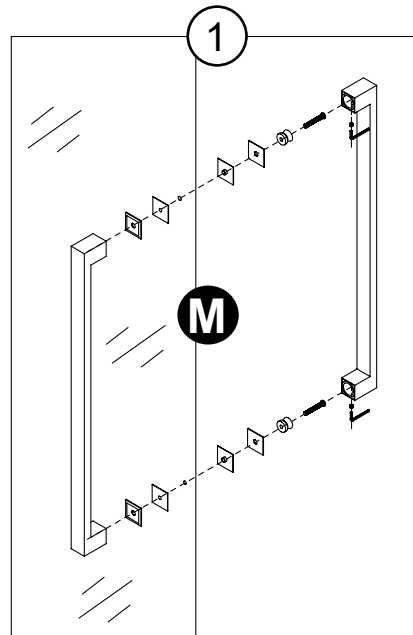
1. Install the door handle (M) on both sides using Allen keys.

2. Ensure that the door closes tightly and opens smoothly, and that there is a tight connection between the side glass panels and the frame as well as the support bar.

Apply a clear silicone water sealant around the outside perimeter of any fixed shower components (horizontally between bottom of fixed side glass panel and base, as well as vertically between the wall, glass frames, and any side glass panel).

Allow 24 hours for silicone to dry.

Improper application of silicone sealant may cause your shower to leak.



OVE Decors ULC

LIMITED Product Warranty

OVE is a distributor of the following Products:

- Shower Doors (warranty period 5 years).
- Acrylic Surfaces (warranty period 5 years against blistering, cracking or chipping in the acrylic surface).
- Acrylic Shell Structure (warranty period 5 years against loss of water through fiberglass laminate of the acrylic body).
- Shower Hardware (handles, hinges, rubber support clips, metal support bars and wall tracks) (warranty period 1 year against defects in materials or workmanship).

Limited Warranty: OVE warrants to the original retail purchaser that within a reasonable time after notification from purchaser, OVE will repair or replace the Product, or any part or component of the covered Product, distributed by OVE which is proven to the satisfaction of OVE to be defective in workmanship or materials, and which has failed during normal use and within the warranty period. This Limited Warranty does not apply to Products that have been damaged, or which fail, as a result of causes other than manufacturing defects (such as but not limited to improper installation; lack of or improper care or maintenance; exposure to elements including corrosive products, environments or water; alteration; abuse or misuse). This warranty does not cover damage to finishes. The warranty commences on the first date a Product is purchased by the customer. This warranty applies exclusively to products purchased and used in non-commercial applications.

Warranty Claim Procedure: To make a claim please call **1-866-839-2888** to trouble-shoot the issue and start the claim process, or email **info@ovedecors.com**. Products may be inspected or evaluated by OVE and any Product or component found to meet the above warranty criteria will be repaired or replaced at OVE's option. Replacement or repaired parts will be shipped at no cost to customer via ground freight only. Any expedited methods of shipments are customer's expense.

DISCLAIMER AND EXCLUSION OF WARRANTIES: This warranty is meant to be a complete and exclusive statement of the terms of all limited warranties offered by OVE.

To the fullest extent permitted by law, other than the express warranty set forth in this instrument there are NO WARRANTIES, EXPRESS OR IMPLIED, INCLUDING ANY IMPLIED WARRANTIES OF MERCHANTABILITY OR FITNESS FOR A PARTICULAR PURPOSE EXTENDED BY OVE.

This warranty gives you specific legal rights. You may also have rights, which may vary under applicable state, provinces, or national legislation, which cannot be disclaimed or modified by the above Disclaimer. Except as permitted, the Disclaimer is not intended to waive, modify, release or limit the applicability of preemptive state, province, or national legislation inconsistent with the terms of this Limited Warranty and Disclaimer. However, to the extent permitted by law, no implied warranties of merchantability or fitness are intended or extended hereunder. Notwithstanding the Disclaimer if any implied warranty is imposed by operation of law, to the extent permitted, the duration of such implied warranties is limited to the shorter of the term of the express warranty or the applicable statute of limitations.

The Products listed above are intended to be installed and used for personal, consumer residential use. Use of Products for any other purpose such as commercial purposes voids this warranty. The Limited Warranty is applicable only to the Products listed herein, and no warranty is extended to products not distributed by OVE. The warranty is applicable only to the first retail purchaser.

Transferability: This warranty is not transferrable.

LIMITATION AND EXCLUSION OF REMEDIES AND DAMAGES: OVE's sole responsibility under this Limited Warranty shall be to repair or replace, at its option, any defective Product or component. Purchaser agrees that this is the sole and exclusive remedy under this Limited Warranty. OVE will not be responsible for any incidental, consequential, special or indirect damages, including loss of use as a result of any manufacturing defect in a Product. OVE will not be responsible for labor, or any other fees associated with removal or installation of warranted parts. Some states, provinces, or national legislation do not allow the exclusion or limitation of incidental or consequential damages, so this limitation may not apply to you.

Product modification: OVE reserves the right to change, modify or improve the Products without obligation to incorporate such changes in Products previously sold or installed.

Authority and Modification: The retail seller is not the agent of OVE and is not authorized to vary or modify the terms of the Limited Warranty. In addition, the retail seller cannot bind OVE or make any representations or promises about the Product that are binding on OVE.

CARE AND MAINTENANCE

For the daily maintenance, use a wet cloth and a soft liquid cleaner.

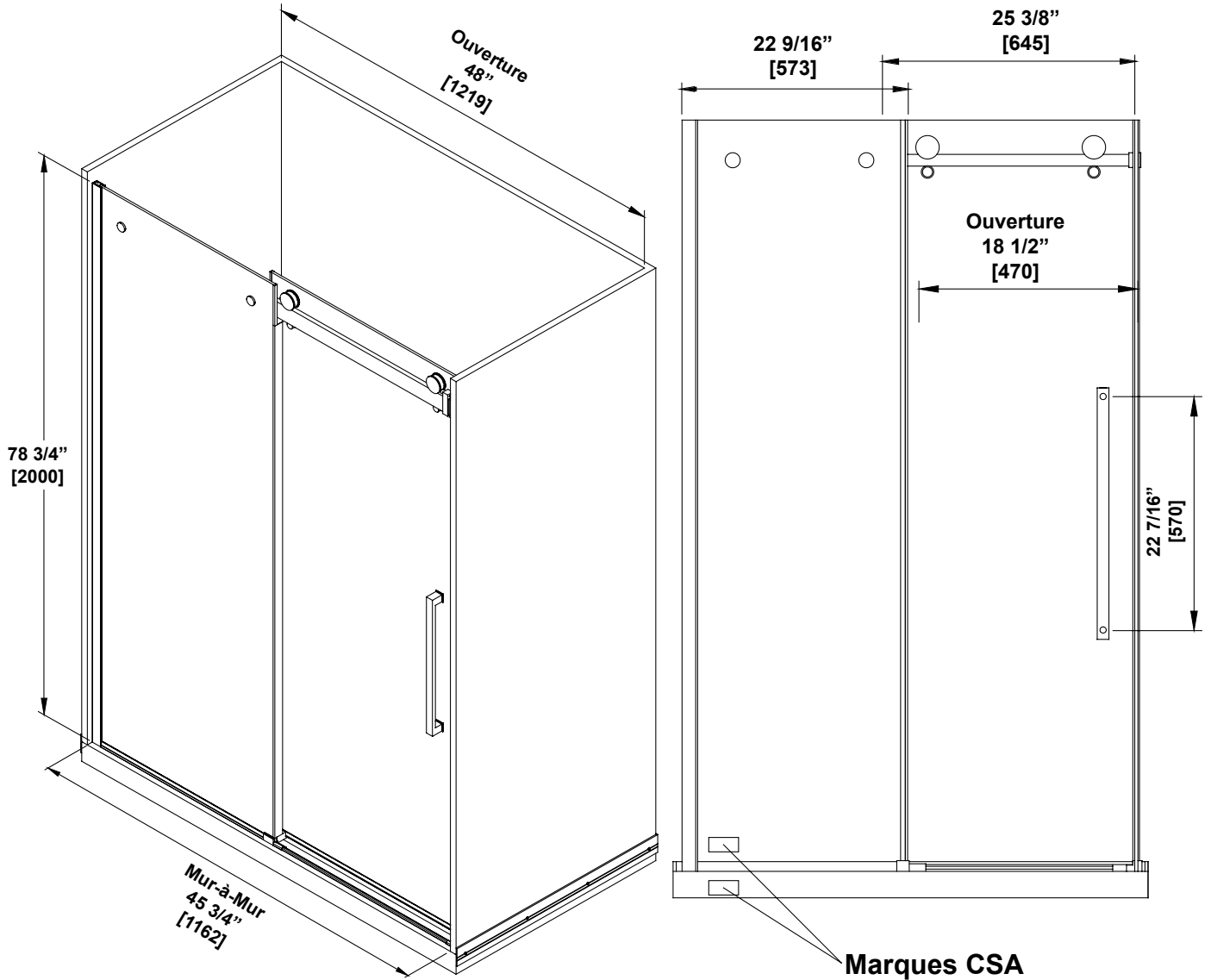
Never use abrasive cleaners containing some acetone, chlorine or strong bleach, scrapers, metallic brushes, nor other objects or the products which can graze or tarnish surfaces.

Use a ratchet to strongly tighten any bolts used to support the fixed glass panels or doors panel (support bolts can withstand up to 250 lbf*in of torque).

Check these bolts every 4 months and re-tighten them if necessary.

Mesures: pouces [millimètres]

Panneaux de Verre



Un guide d'installation video est disponible sur notre chaîne Youtube.

<https://youtu.be/5uKylkdZqac>

Date de l'achat: _____

Numéro de référence du produit: _____



Questions, problèmes ou pièces manquantes?

Avant de retourner le produit à votre détaillant, contactez notre service à la clientèle au 1-866-839-2888, du lundi au vendredi de 9h00 à 17h00 HNE.

INFORMATION SUR LA SÉCURITÉ

AVERTISSEMENT

Veillez lire attentivement les importantes consignes de sécurité suivantes avant la manutention et l'installation de cette douche. La manipulation de ce produit présente un risque de blessure grave. Pour minimiser ces risques, veuillez prendre note de ce qui suit:

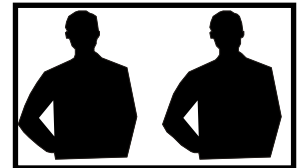
- Toujours porter des lunettes et des gants de sécurité pendant la manutention.
- Toujours lire et suivre toutes les étapes indiquées dans les instructions d'installation.
- Avant l'installation, inspecter tout le contenu et le verre pour détecter toute forme de dommages.
- Pendant l'installation, faire très attention lorsque vous manipulez les pièces en verre, car le verre trempé peut se fracasser s'il entre en contact avec une surface dure.
- Manipulez le verre trempé avec précaution sinon il pourrait se briser en petits morceaux (jamais en fragments pointus).
- Prendre toujours toutes les précautions nécessaires pour que, pendant l'installation ou après, les outils que vous utilisez n'entrent pas en contact avec le verre trempé.
- Ne pas couper ni modifier le verre trempé, car il pourrait se briser en éclat s'il est coupé.
- Sortir le produit de son emballage avec soin et le conserver jusqu'à ce que l'installation soit complétée.
- Inspectez toutes les pièces. S'il y a des dommages sur le produit avant l'installation, veuillez communiquer avec le service à la clientèle au numéro indiqué dans ce guide.
- Installez la douche sur un plancher au niveau et capable de supporter le produit et son utilisateur.
- Veuillez consulter le code du bâtiment et les normes de conformité avant l'installation du produit.
- Après l'installation, et périodiquement, vérifier l'assemblage et la finition des pièces en verre, pour vous assurer qu'aucun élément ne s'est desserré depuis l'installation.
- Conserver le présent manuel d'instruction pour consultation future.

AVIS

- Toute modification ou altération apportée aux indications données dans le présent manuel d'instructions annule toute garantie associée à ce produit.
- Le distributeur n'est pas responsable pour les dommages sur le produit ou sur la personne causés par une installation inadéquate. Si vous ne tenez pas compte des indications du manuel d'instruction, vous annulez votre garantie et vous vous exposez à des dommages causés par les fuites d'eau.
- Pour de plus amples renseignements sur l'installation du produit ou si vous avez des questions, veuillez consulter le site www.ovedecors.com.

PRÉPARATION

2 personnes sont requises pour installer le produit correctement et sécuritairement.



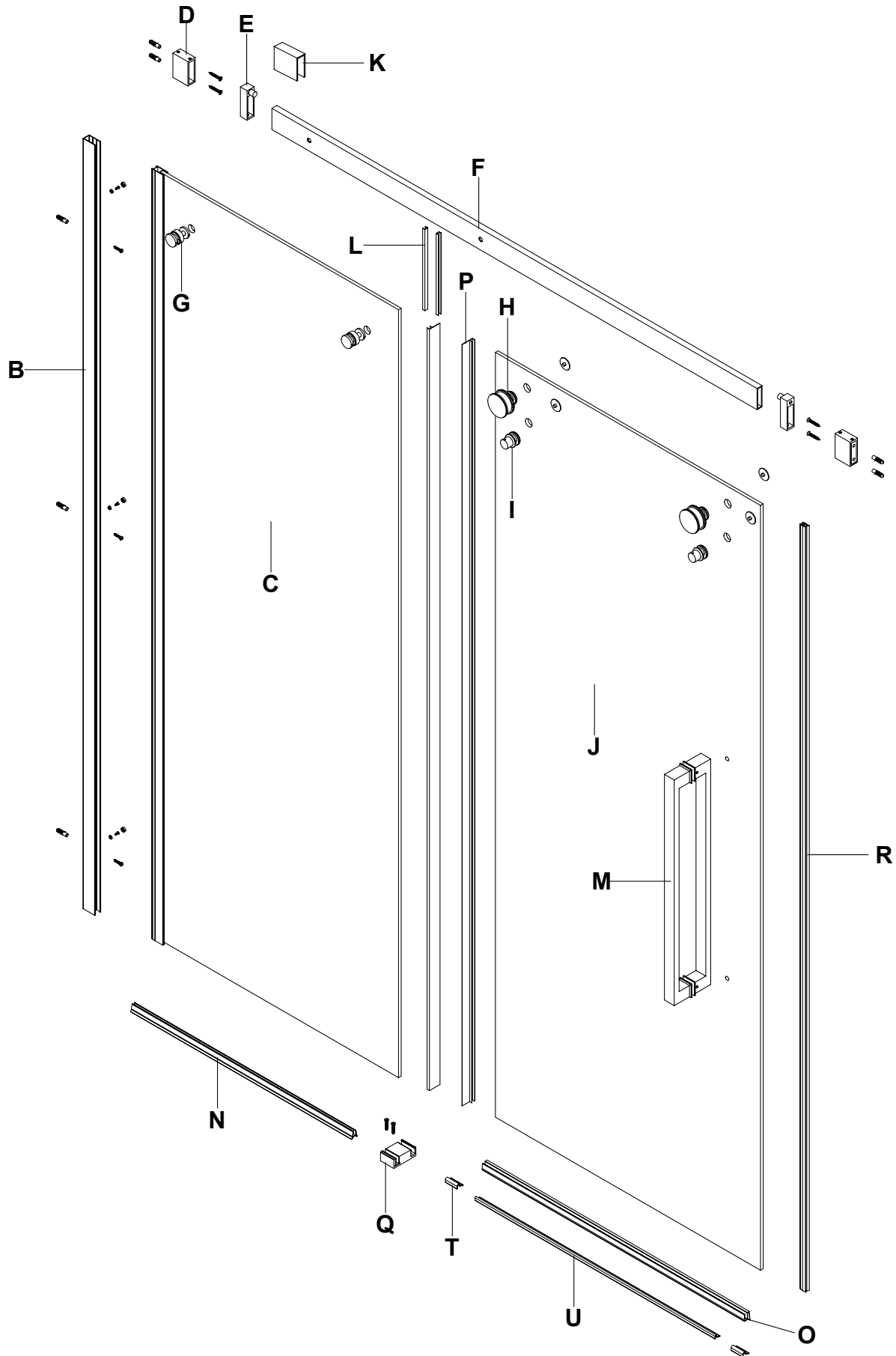
Avant de commencer l'installation du produit, soyez assuré d'avoir toutes les pièces. Comparez les pièces avec les listes fournies. S'il y a des pièces manquantes ou endommagées, ne tentez pas d'assembler le produit.

Temps de montage estimé: douche (60 min).

TABLE DES MATIÈRES

CONTENU DE L'EMBALLAGE	19
QUINCAILLERIE FOURNIE	20
OUTILS REQUIS	20
CETTE DOUCHE EST RÉVERSIBLE	21
MESURES MUR À MUR.....	21
GUIDE D'INSTALLATION DE LA BASE (OPTIONNEL)	22
INSTALLATION DES RAILS MURAUX	23
INSTALLATION DU PANNEAU FIXE	24
INSTALLATION DE LA BARRE DE SUPPORT	25
INSTALLATION DE LA PORTE	26
INSTALLATION DE LA POIGNÉE ET SCELLAGE	27
GARANTIE LIMITÉE DU PRODUIT.....	28
TRAITEMENT ET ENTRETIEN.....	28

CONTENU DE L'EMBALLAGE

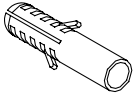


CONTENU DE L'EMBALLAGE

# DE PIÈCE	DESCRIPTION	QUANTITÉ	CODE
B	Rail mural en aluminium	1	Noir Mat: 99STR1181-WM
C	Panneau de verre fixe	1	Noir Mat: 99SG100100-WM
D	Ancrages pour barre de support	2	Noir Mat: 99SGC2048-WM
E	Buttées pour roues	2	Noir Mat: 99SDS0023-WM
F	Barre de support	1	Noir Mat: 99SGS1053-WM
G	Raccords pour panneau fixe	2	Noir Mat: 99SGC2049-WM
H	Roues de la porte	2	Noir Mat: 99SWE0063-WM
I	Buttées anti-sauts	2	Noir Mat: 99SWE0064-WM
J	Panneau de la porte	1	99SGD0010-WM
K	Profilé d'aluminium	1	Noir Mat: 99STR1183-WM
L	Joint d'étanchéité court	2	99SRU0063
M	Poignée de la porte	1	Noir Mat: 99SHA1072-WM
N	Joint d'étanchéité du bas du panneau fixe	1	99SRU0041
O	Joint d'étanchéité du bas de la porte	1	99SRU0028
P	Joints d'étanchéités verticaux des panneaux de verre	2	99SRU0026
Q	Guide de porte (avec joint)	1	Noir Mat: 99SGC2050-WM
R	Joint d'étanchéité de fermeture de la porte	1	99SRU0027
T	Embouts du rail décoratif	2	Noir Mat: 99SHW0198-WM
U	Rail décoratif du bas de la porte	1	Noir Mat: 99STR1182-WM
V	Quincaillerie fournie	1	Noir Mat: 99SHW0199-WM

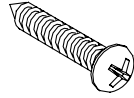
QUINCAILLERIE FOURNIE

AA



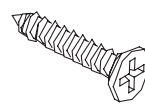
Ancrage mural
ø8x30mm
7+2

BB



Vis
ST5x30mm
3+1

CC



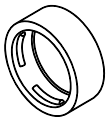
Vis
ST5x25mm
2+1

DD



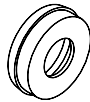
Vis
ST4x12mm
3+1

EE



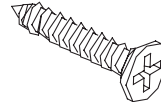
Capuchon
3x

FF



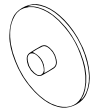
Raccords
3x

GG



Vis
ST5x35mm
4+1

HH



Capuchon
4x

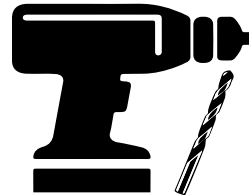
OUTILS REQUIS



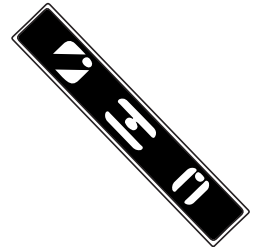
Crayon



Tournevis



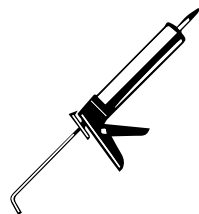
Perceuse avec foret à ceramique
ø3mm (1/8po) & ø4mm (5/32po) & ø8mm (5/16po)



Niveau



Ruban à mesurer



Silicone



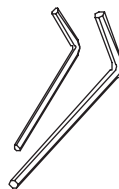
Maillet en caoutchouc



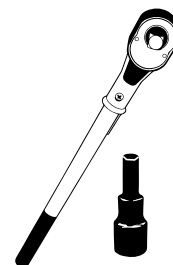
Exacto



Lunettes de Sécurité



Clé Allen
2.5mm & 5mm

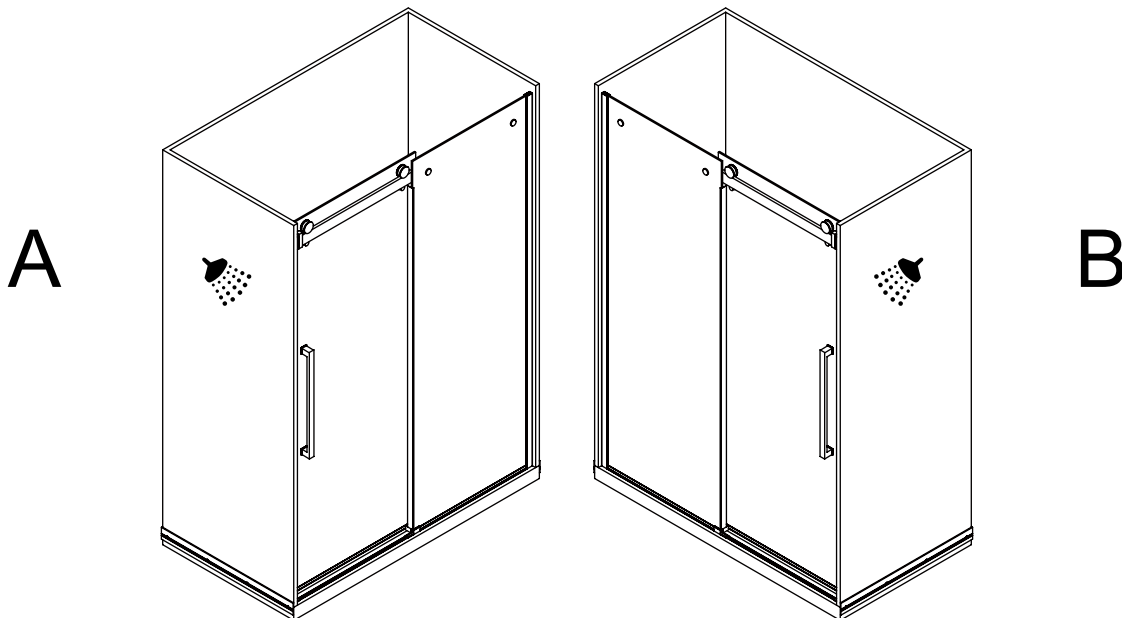


Clé à rochet
Embout 5mm

CETTE DOUCHE EST RÉVERSIBLE

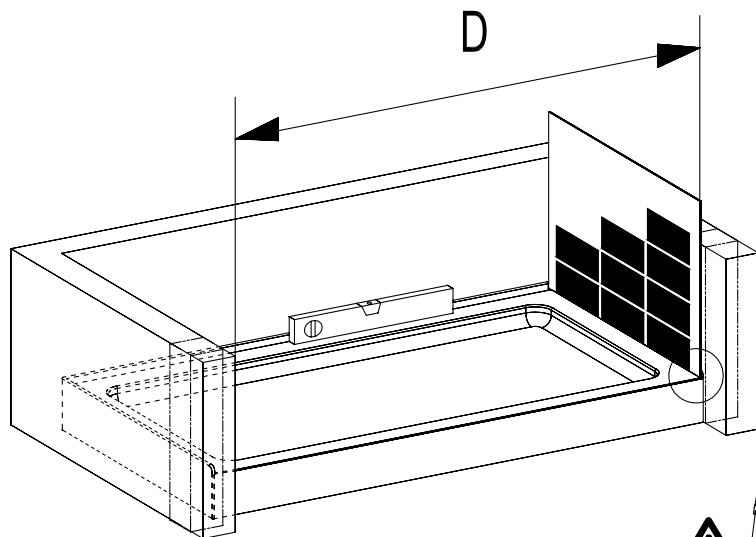
- Utilisez ces instructions pour une ouverture de la porte de droite à gauche (illustration B).
- Pour une installation de gauche à droite (illustration A), suivez ces mêmes instructions mais permutez l'emplacement des panneaux: effet miroir.

! Installez le pommeau de douche du côté de la porte, afin de diminuer les risques de fuites.



MESURES MUR À MUR

- Mesurez l'épaisseur de vos tuiles sur chacun des côtés avant d'installer le rail mural. Une tuile plus épaisse limitera l'espace requis pour installer votre douche.
- Assurez vous d'avoir une distance tuile à tuile entre 1162mm (45 3/4 po) min. et 1188mm (46 3/4 po) max. (voir image).



Assurez vous d'avoir une distance (D) de la tuile droite à la tuile gauche de:

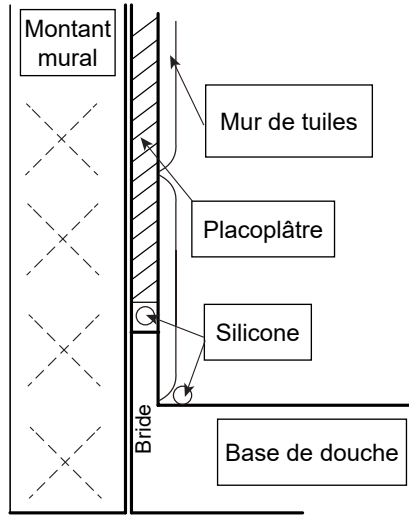
D Min: 1162mm (45 3/4 po)
D Max: 1188mm (46 3/4 po)



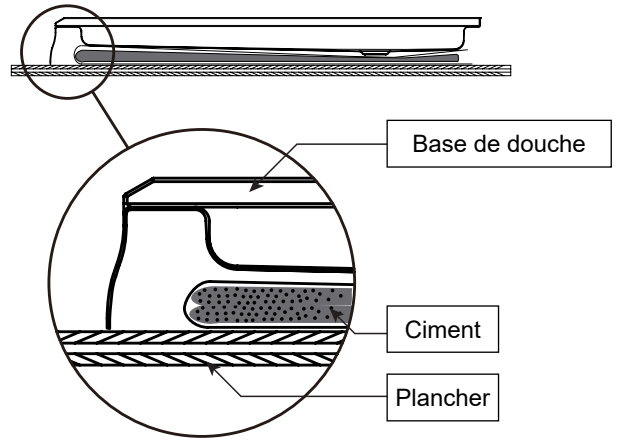
Si $D < 1162\text{mm}$ (45 3/4 po) vous pouvez couper la barre (D) à la longueur adéquate. Ne coupez que le côté sans trous!

GUIDE D'INSTALLATION DE LA BASE (OPTIONNEL)

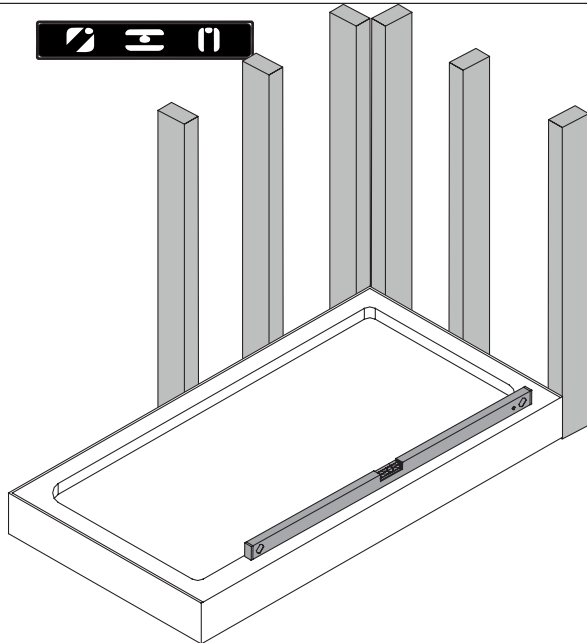
1



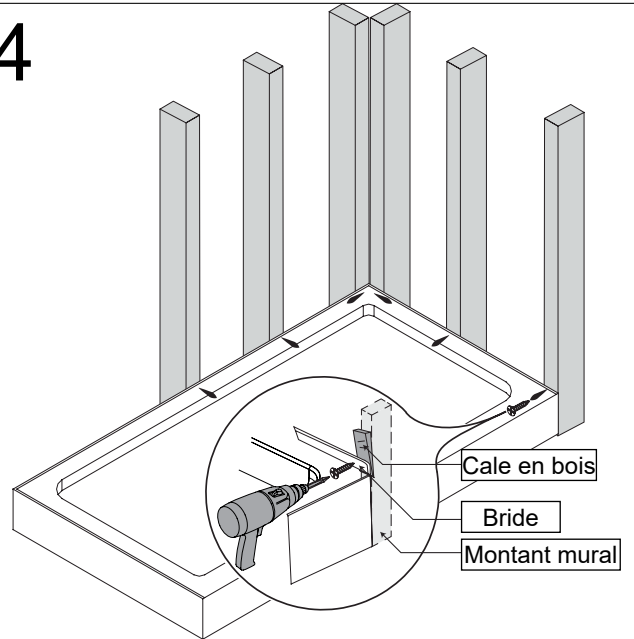
2



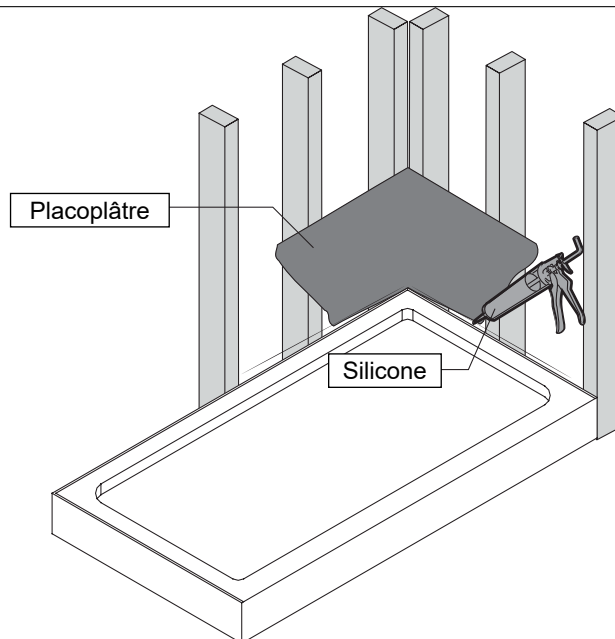
3



4

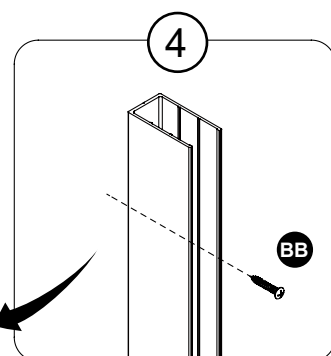
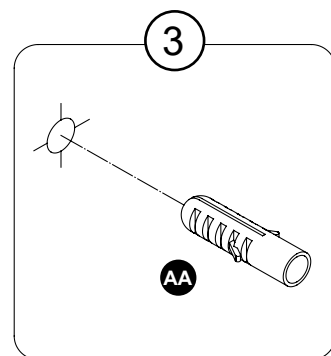
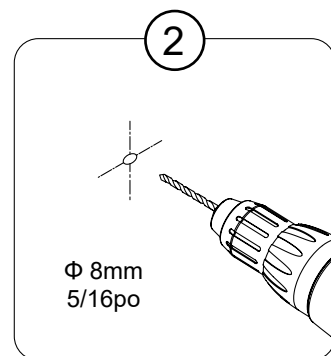
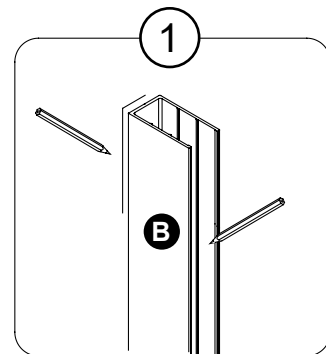


5

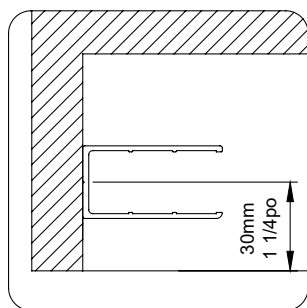


INSTALLATION DU RAIL MURAL

1. S'assurer que la base et les murs soient à niveau. Placez le rail mural (B) approximativement à 30mm (1 1/4po) du bord de la base jusqu'au centre du rail. S'assurer que le rail mural (B) soit à niveau, ensuite marquez les trous clairement sur le mur.
2. Retirez le rail et percez les trous guide aux endroits marqués avec un foret $\Phi 8\text{mm}$ (5/16po).
3. Insérez les ancrages muraux (AA) en utilisant un maillet en caoutchouc.
4. Replacer le rail (B) et le fixer avec les vis (BB). Ne pas serrer trop fortement.



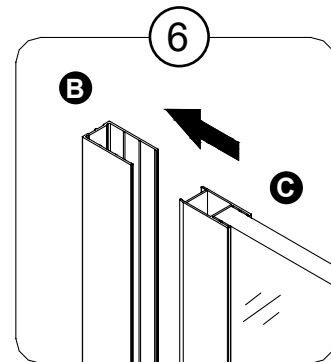
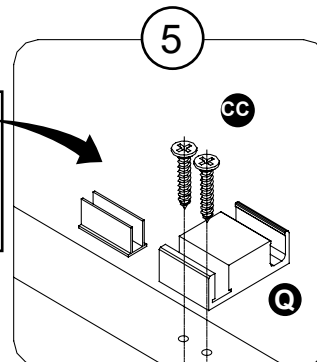
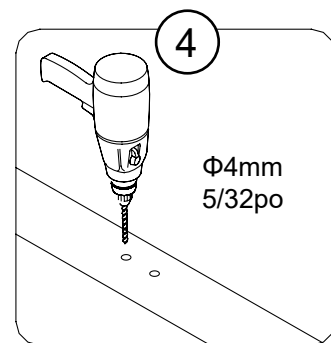
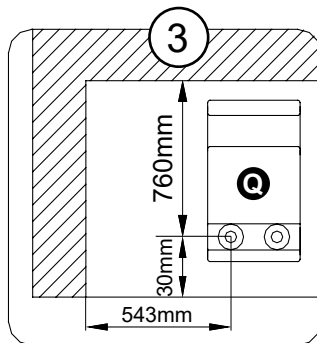
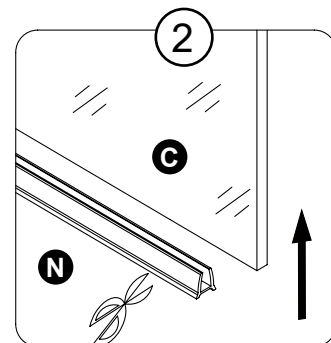
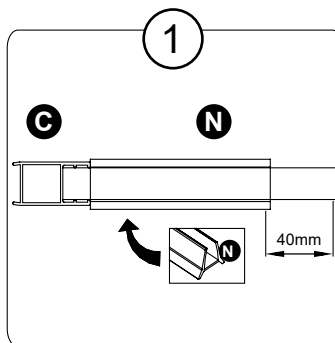
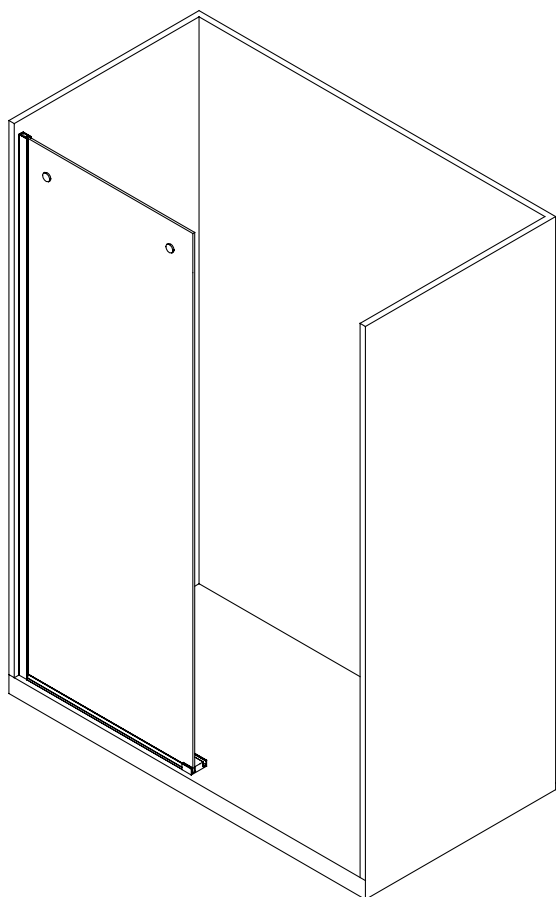
Important
S'assurer qu'il y a un montant mural vis-à-vis les rails muraux à l'arrière du placoplâtre!



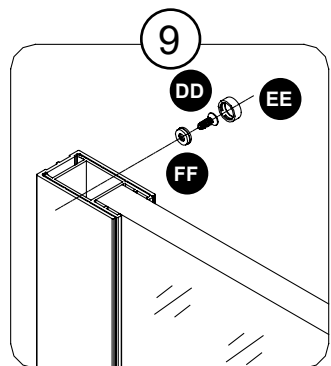
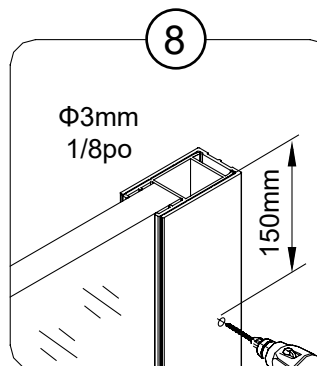
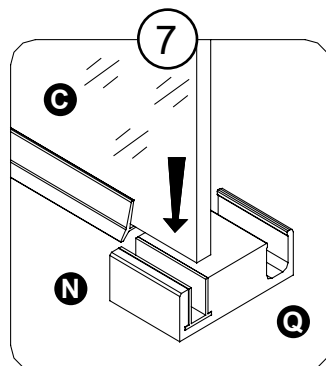
Important
Ne pas serrer trop fortement, cela pourrait craquer les murs d'acrylique ou de tuile.

INSTALLATION DU PANNEAU FIXE

- 1-2. Insérez le joint d'étanchéité du panneau fixe (N) à la base du panneau (C). Couper la partie en surplus à la grandeur adéquate (approx. 40mm du bord du panneau) avec un exacto.
 3. Placez le guide (Q) sur la base.
 4. Marquez la position des trous du guide avec un crayon et percez 2 trous guides avec un foret $\varnothing 4\text{mm}$ (5/32po).
 5. Fixez le guide (Q) avec les vis (CC). S'assurer que le protecteur en plastique est dans le guide, puisqu'il protège le panneau fixe.
 - 6-7. Placez le panneau fixe (C) dans le rail mural (B) et le guide (Q).
- Note : Le rail mural (B) permet d'ajuster la position du panneau fixe (C). Ajuster la profondeur ou/et donner un léger angle au panneau permet d'obtenir un alignement parfait avec la porte.**
8. Percez à trois endroits le panneau fixe (C) avec un foret de 3mm (1/8po).
 9. Fixez le rail mural (B) en utilisant les vis (DD), les raccords (FF) et les capuchons (EE).



Important
Ajoutez une goutte de silicone dans les trous avant de visser.

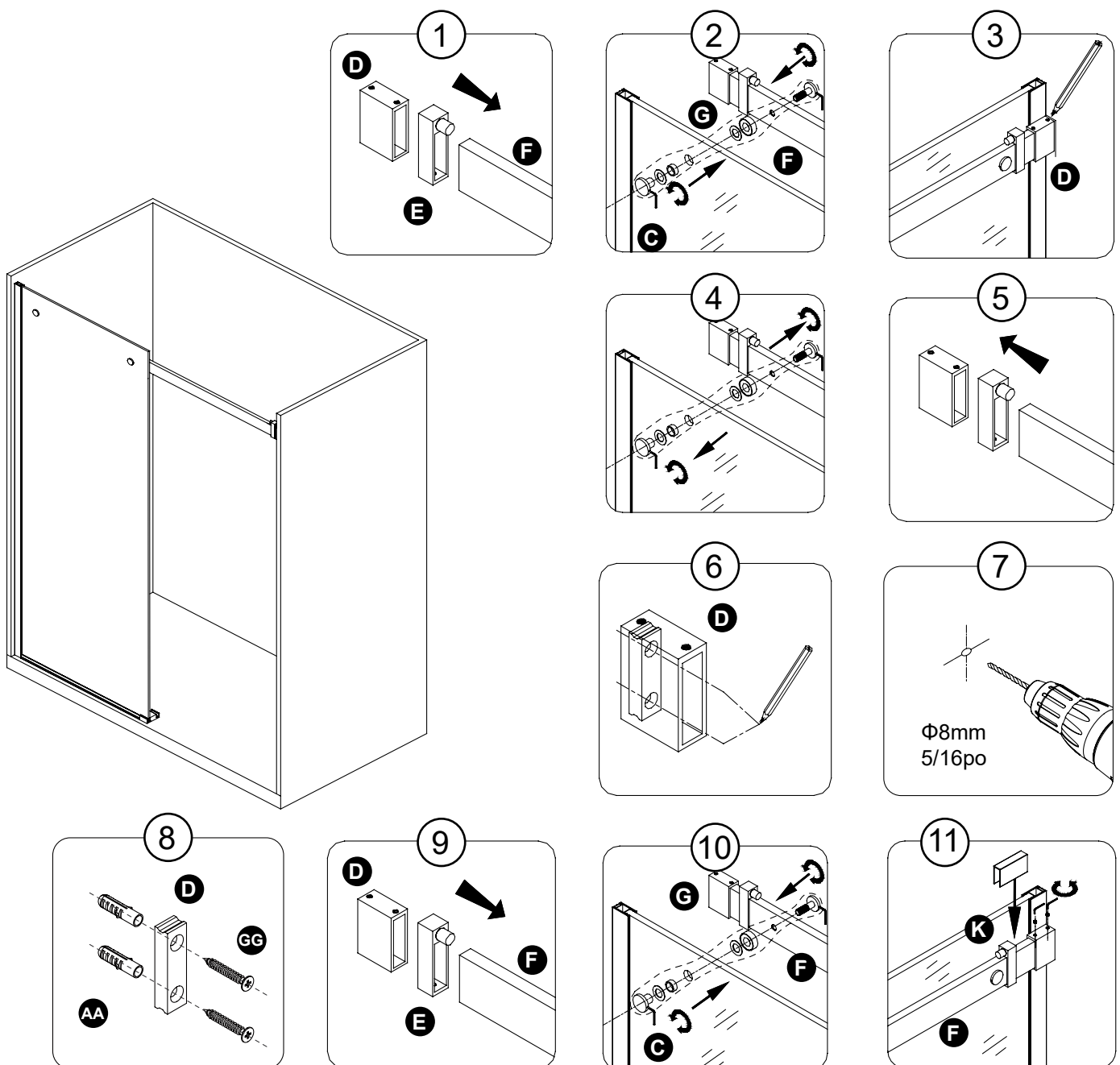


INSTALLATION DE LA BARRE DE SUPPORT

1. Glissez les 2 buttées (E) et les 2 ancrages pour la barre de support (D) sur la barre (F).
2. Sans trop serrez, installez la barre (F) sur le panneau fixe (C) en utilisant les raccords (G) et mettre à niveau.
3. Marquez le contour des 2 ancrages (D) sur le mur.
- 4-6. Complètement retirer la barre de support. Placez les 2 ancrages (D) aux endroits marqués et marquez leur centre sur le mur.

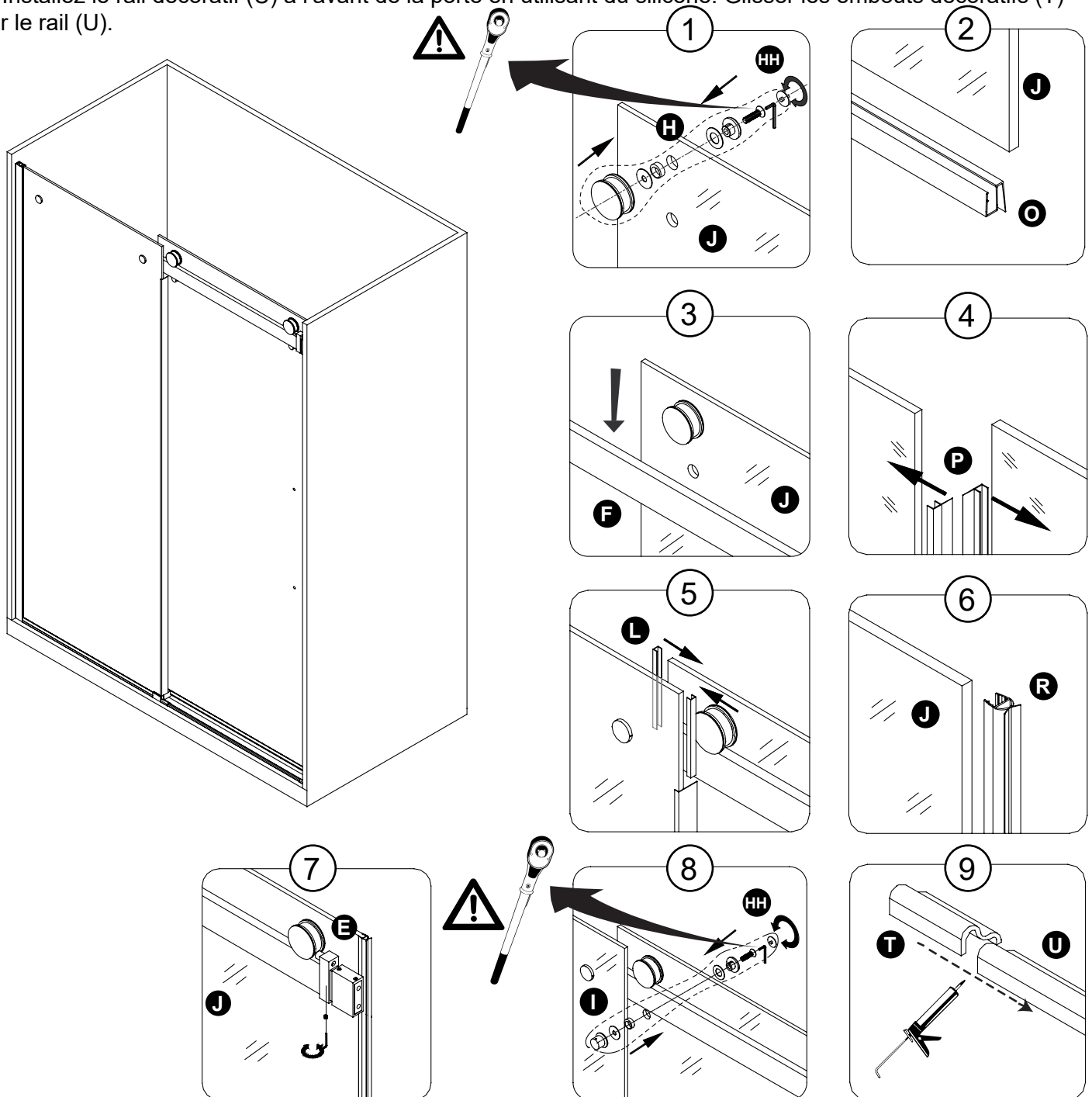
Note: Avant de continuer, placez la porte (J) à l'intérieur de l'enclave de la douche. Cela facilitera les étapes suivantes!

7. Percez des trous là où les centres des ancrages ont été marqués et y insérer les ancrages (AA) avec un maillet en caoutchouc.
8. Fixez le raccord central de l'ancrage (D) avec les vis (GG).
- 9 Glissez à nouveau les buttées (E) et les ancrages (D) sur la barre (F). Montez la barre au mur.
10. Installer le panneau fixe (C) sur la barre de support (F) en utilisant les raccords (G).
11. Fixez la barre de support (F) sur ses ancrages grâce aux vis fournies. Installez le profilé d'aluminium (K) entre la buttée et l'ancrage mural.



INSTALLATION DE LA PORTE

1. Installez les 2 roues du dessus (H) sur la porte (J). Utilisez une clé à rochet afin de serrer les boulons fortement.
2. Insérez le joint d'étanchéité (O) au bas de la porte (J).
3. Suspendre la porte sur la barre (F) par les 2 roues et placer le bas de la porte dans le guide (Q).
- 4-6. Installer les 2 joints d'étanchéité verticaux (P). Coupez le surplus du joint avec un exacto, afin que les roues ne frappent pas le joint lors de l'ouverture de la porte. Installer les 2 joints d'étanchéité verticaux (L). Installez le joint d'étanchéité de la porte (R). Couper la partie en surplus à la grandeur adéquate avec un exacto.
7. Positionnez les 2 butées (E) afin d'éviter que la porte ne heurte le mur lors de l'ouverture / fermeture. Utilisez une clé Allen afin de serrer fortement les butées dans leur position finale.
8. Installez les 2 butées anti-sauts (I) sur la porte (J). Utilisez une clé à rochet afin de serrer fortement les boulons.
9. Installez le rail décoratif (U) à l'avant de la porte en utilisant du silicone. Glisser les embouts décoratifs (T) sur le rail (U).



INSTALLATION DE LA POIGNÉE ET SCELLAGE

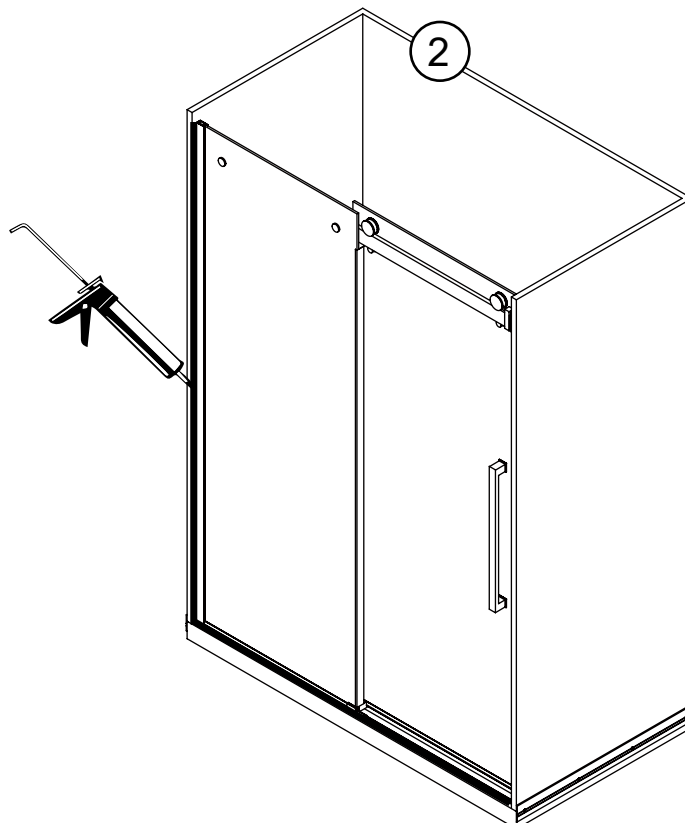
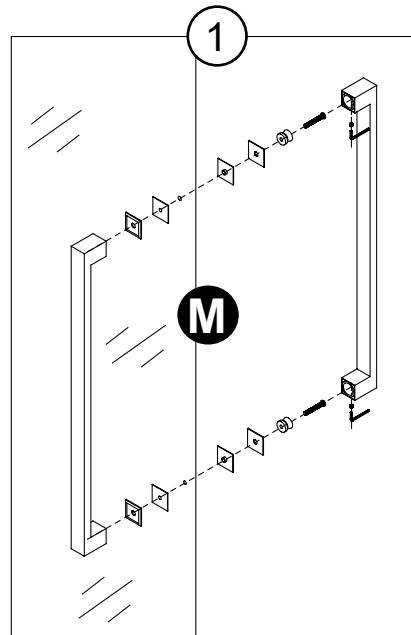
1. Installer la poignée (M) en utilisant une clé Allen.

2. Assurez-vous que la porte se ferme hermétiquement et s'ouvre doucement, et que le châssis et la barre de support sont étroitement fixés aux panneaux de verre.

Appliquez un scellant étanche à base de silicone sur le contour extérieur de toutes les composantes de la douche (horizontalement, entre la partie inférieure des panneaux de verres et la base, et verticalement entre le mur, le châssis et tous les panneaux de verre).

Laissez sécher le scellant pendant 24 heures.

Une application inadéquate du scellant pourrait entraîner des fuites.



OVE Decors ULC

Garantie LIMITÉE du produit

OVE est distributeur des produits suivants:

- Portes de douche (garantie de cinq ans).
- Surfaces en acrylique (garantie de cinq ans contre le cloquage, le craquelage ou l'écaillage de la surface en acrylique).
- Structure en acrylique de la coque (garantie de 5 ans contre les fuites d'eau à travers le stratifié en fibre de verre de la coque en acrylique).
- Quincaillerie de la douche (poignée, charnières, fixations de support en caoutchouc, barre de support en métal et rails muraux) (garantie contre les défauts de fabrication et de matériel pour une période d'un an).

Garantie limitée: OVE garantit à l'acheteur original que dans un délai raisonnable après réception d'un avis de sa part, OVE réparera ou remplacera le produit, ou toute partie ou composante du produit visé, distribué par OVE, dont la défektivité de matériel ou de fabrication est établie à la satisfaction d'OVE, et qui est survenue pendant l'utilisation normale et pendant la période couverte par la garantie. La présente garantie limitée ne s'applique pas aux produits qui ont été endommagés, ou qui s'avèreraient défectueux, résultant de causes autres que des défauts de fabrication (notamment une installation inadéquate; l'absence d'entretien ou un entretien inapproprié; l'exposition à divers éléments, notamment des produits corrosifs, l'environnement ou l'eau; des modifications, une utilisation abusive ou incorrecte). La présente garantie ne s'étend pas aux dommages causés aux finis. La période de garantie débute à la date d'achat du produit par le client. La présente garantie s'applique exclusivement aux produits achetés et utilisés dans des applications non commerciales.

Procédure de réclamation dans le cadre de la garantie: Pour faire une réclamation, veuillez composer le **1-866-839-2888** afin de résoudre le problème et de lancer le processus de réclamation, ou communiquer par courriel à **info@ovedecors.com**. OVE pourra inspecter et évaluer les produits; tout produit ou composante de produit qui respectera les critères énoncés ci-haut relativement à la garantie sera réparé ou remplacé au gré d'OVE. Les pièces remplacées ou réparées seront expédiées sans frais pour le client au moyen d'un service de transport terrestre régulier uniquement. Tout autre mode d'expédition accéléré utilisé le sera aux frais du client.

EXONÉRATION ET EXCLUSION DE GARANTIE : La présente garantie se veut un énoncé complet et exclusif des conditions afférentes à toutes les garanties limitées offertes par OVE.

Dans les limites permises par la loi, autre que la garantie expresse donnée dans le présent document, OVE NE DONNE AUCUNE GARANTIE, EXPLICITE OU IMPLICITE, Y COMPRIS TOUTE GARANTIE IMPLICITE QUANT À LA GARANTIE MARCHANDE DU PRODUIT OU À SON ADÉQUATION À UN EMPLOI PARTICULIER.

La présente garantie vous confère des droits légaux spécifiques. Vous pourriez également jouir d'autres droits, qui varient en fonction de la législation étatique, provinciale ou nationale applicable, laquelle ne peut être niée ou modifiée par la déclaration d'exonération ci-dessus. Sauf dans la mesure permise, la déclaration d'exonération n'a pas pour objet d'annuler, de modifier, de décaler ou de modifier l'applicabilité de la législation étatique, provinciale ou nationale ayant prépondérance et qui serait incompatible avec les modalités de la présente garantie limitée ou exonération. Cependant, dans la mesure permise par la loi, aucune garantie implicite de qualité marchande ou d'adaptation n'est donnée ou accordée dans les présentes. Malgré cette mise en garde, si toute forme de garantie est imposée par la loi, dans la mesure permise, la durée de telles garanties implicites est limitée à la durée la plus courte entre la garantie expresse ou la prescription applicable en vertu de la loi en vigueur.

Les produits énumérés ci-dessus sont prévus pour une installation et une utilisation personnelle et résidentielle du consommateur. L'utilisation des produits à toutes autres fins, notamment à des fins commerciales, annule la présente garantie. La présente garantie limitée est uniquement applicable aux produits énumérés ci-dessus aux présentes, et aucune garantie n'est accordée à des produits non distribués par OVE. La garantie est applicable uniquement au premier acheteur au détail.

Transférabilité : La présente garantie ne peut être transférée.

RESTRICTION ET EXCLUSION DE RECOURS ET DOMMAGES : La seule responsabilité d'OVE en vertu de la présente garantie limitée est de réparer ou de remplacer, à son gré, tout produit ou composante de produit défectueux. L'acheteur convient qu'il s'agit du seul et unique recours qui lui est consenti en vertu de la garantie limitée. OVE ne peut être tenu responsable de quelques dommages accessoires, consécutifs, particuliers ou indirects, y compris la perte d'utilisation en conséquence de tout défaut de fabrication d'un produit. OVE ne sera pas responsable des frais de main-d'œuvre ou de tous autres frais associés aux travaux pour retirer ou installer les pièces visées par la garantie. Certaines lois étatiques, provinciales ou nationales n'autorisent pas l'exclusion ou la limitation des dommages accessoires ou consécutifs, donc cette restriction pourrait ne pas s'appliquer à votre cas.

Modification de produit : OVE se réserve le droit de changer, de modifier ou d'améliorer les produits sans être tenue d'incorporer ces modifications aux produits vendus ou installés précédemment.

Autorité et modification : Le vendeur au détail n'est pas le représentant d'OVE et n'est pas autorisé à modifier ou à changer les modalités de la garantie limitée. De plus, le détaillant ne peut lier OVE ni faire de représentation ou de promesses à l'égard du produit qui sont contraignantes pour OVE.

En cas de divergences entre la version anglaise et la version française, la version dans la langue d'origine fait foi.

TRAITEMENT ET ENTRETIEN

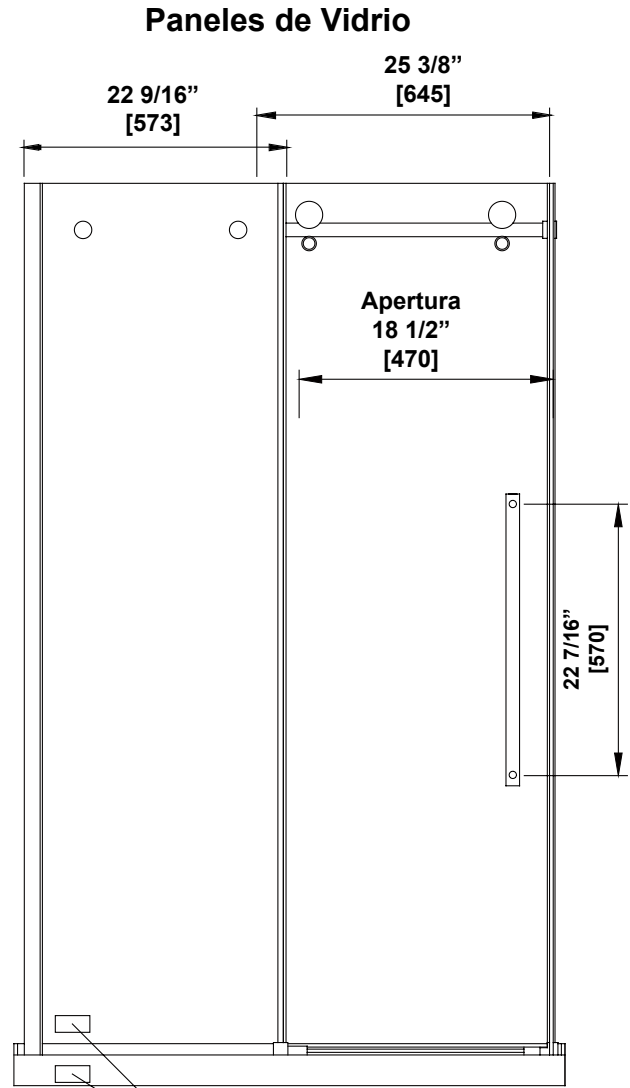
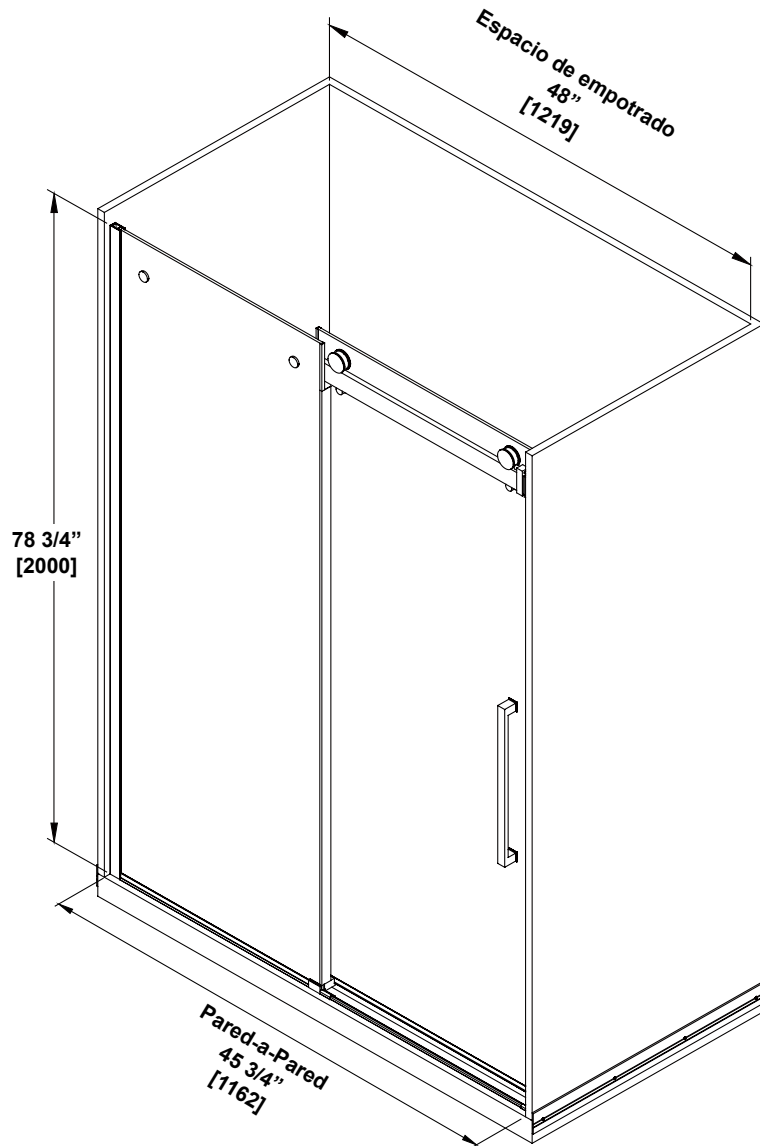
Utilisez un chiffon mouillé et un nettoyant liquide doux pour l'entretien quotidien.

N'utilisez jamais de nettoyants abrasifs contenant de l'acétone, du chlore ou du javellisant puissant, et évitez les grattoirs, les brosses métalliques et tout autre objet ou produit pouvant érafler ou ternir les surfaces.

Utilisez la clé à rochet pour serrer fortement tous boulons faisant partie d'une pièce supportant les panneaux fixes de verre et les portes. Ces boulons peuvent soutenir jusqu'à 250 lb*in de tension de serrage.

Vérifiez ces boulons tous les 4 mois et re-serrer les si nécessaire.

Medidas: pulgadas [milímetros]



Marca CSA

Una guía de instalación de vídeo está disponible en nuestro canal de Youtube.
<https://youtu.be/5uKylkdZqac>

Fecha de compra: _____ Seguimiento y referencia del producto: _____



Preguntas, problemas, piezas faltantes?

Antes de volver a la tienda, llame a nuestro departamento de servicio al cliente al 1-866-839-2888, 9 am. – 5 pm., HDE, Lunes a Viernes..

INFORMACIÓN DE SEGURIDAD

PRECAUCIÓN

Lea cuidadosamente la siguiente información importante antes de manipular e instalar la ducha. Hay riesgo de lesiones graves mientras se manipula el producto. Para minimizar estos riesgos, sírvase notar:

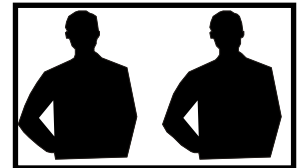
- Utilice siempre anteojos de seguridad y guantes durante la manipulación.
- Lea y siga siempre todos los pasos en las instrucciones de instalación.
- Inspeccione todo el contenido y el vidrio por daños antes de la instalación.
- Hay que prestar atención especial mientras se manipula el vidrio durante la instalación ya que el vidrio templado se puede despedazar al contacto con una superficie dura.
- Manipule el vidrio templado con precaución! Una manipulación inadecuada del vidrio puede ocasionar que se rompa.
- Observe siempre todas las precauciones para no tocar el vidrio templado con ninguna herramienta durante ni después de la instalación.
- No corte el vidrio templado puesto que se despedazará si se corta.
- Retire con cuidado los productos de envase y embalaje mantendrá hasta que la instalación se haya completado.
- Inspeccione todas las piezas en busca de daños, si hay daños en la unidad antes de la instalación, póngase en contacto con el servicio al cliente al teléfono que figura en esta guía.
- Instale la ducha en un piso que esté nivelado y pueda contener el peso de la unidad y de un ocupante.
- Consulte los códigos de construcción locales y normas requeridas antes de la instalación y asegúrese de cumplirlos.
- Después de la instalación, y de tiempo en tiempo, verifique el ajuste el acabado del vidrio para asegurarse de que nada se ha aflojado con el tiempo.
- Guarde este manual de instalación para consulta en el futuro.

ATENCIÓN

- Cualquier modificación o alteración con respecto a lo especificado en este manual de instrucción anulará toda la garantía de este producto.
- El distribuidor no se hace responsable por cualquier tipo de daño a la unidad o propiedad personal ocasionado por una instalación inadecuada. Ignorar estas instrucciones anulará la garantía y ocasionará daños potenciales por agua en su hogar.
- Consulte www.ovedecors.com para cualquier información adicional o pregunta sobre la instalación de este producto.

PREPARACIÓN

Necesitará al menos dos personas para instalar esta unidad de forma adecuada.



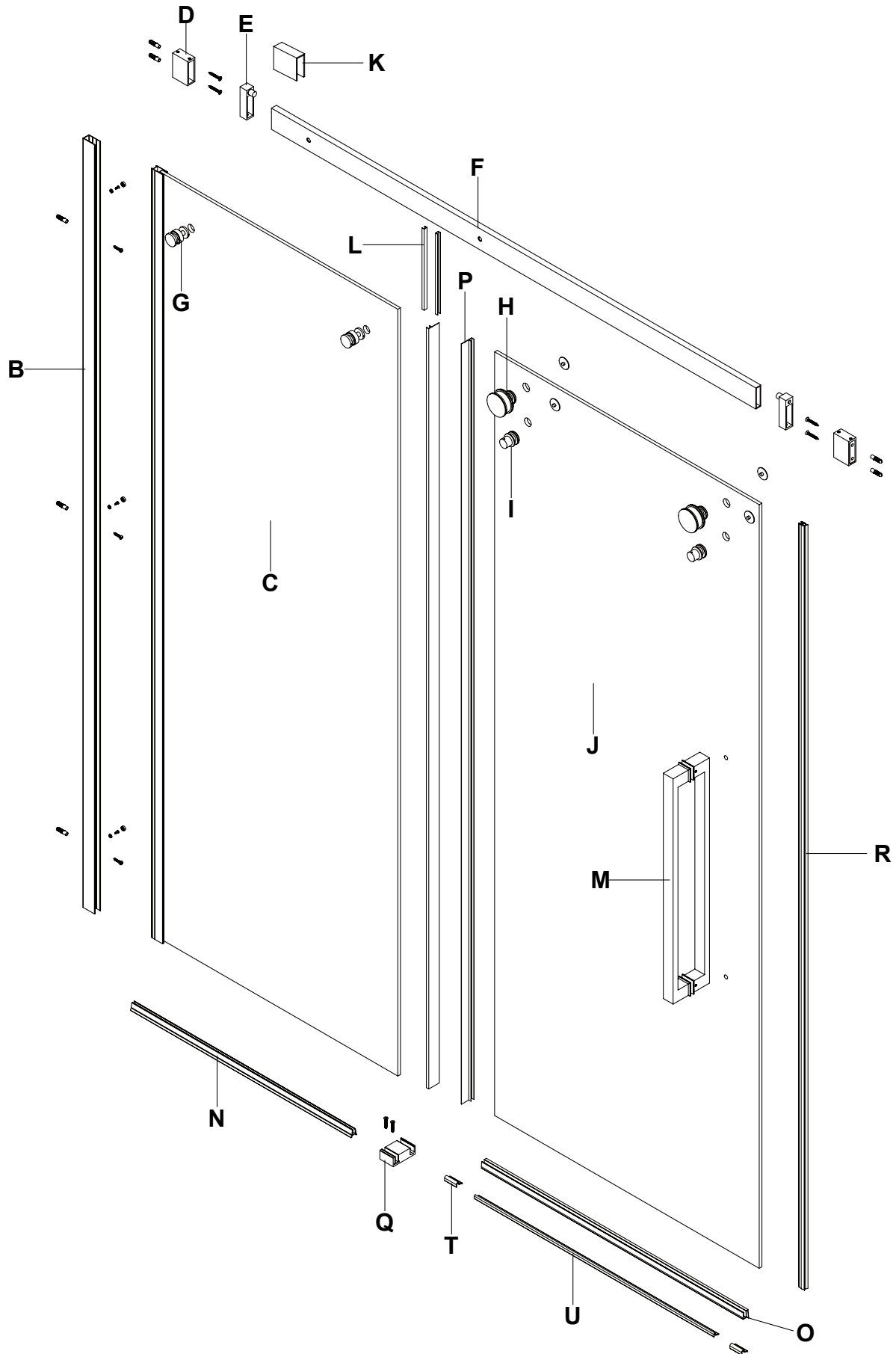
Antes de comenzar a ensamblar el producto, asegúrese de tener todas las piezas. Compare las piezas con la lista del contenido del paquete y la lista de aditamentos. No intente ensamblar el producto si falta alguna pieza o si estas están dañadas.

Tiempo estimado de ensamblaje: Ducha (60 min).

TABLA DE CONTENIDOS

CONTENIDO DEL PAQUETE.....	33
CONTENIDO DE HARDWARE.....	34
HERRAMIENTAS NECESARIAS.....	34
REVERSIBILIDAD DE LA DUCHA.....	35
DE PARED A PARED MEDIDAS.....	35
GUÍA PARA LA INSTALACIÓN LA BASE (OPCIONAL).....	36
INSTALACIÓN DEL RIEL DE LA PARED.....	37
INSTALACIÓN DEL PANEL FIJO.....	38
INSTALACIÓN DE LA BARRA DE SOPORTE.....	39
INSTALACIÓN DEL PANEL DE LA PUERTA.....	40
INSTALACIÓN DE LA MANIJA Y SELLADO.....	41
GARANTÍA LIMITADA DE PRODUCTOS.....	42
CUIDADO Y MANTENIMIENTO.....	42

CONTENIDO DEL PAQUETE

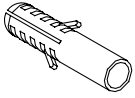


CONTENIDO DEL PAQUETE

PARTE#	DESCRIPCIÓN	CANTIDAD	CÓDIO
B	Riel de aluminio	1	Negro Mate: 99STR1181-WM
C	Panel de vidrio	1	Negro Mate: 99SG100100-WM
D	Anclaje de la barra de soporte	2	Negro Mate: 99SGC2048-WM
E	Retenedor de los rodillos	2	Negro Mate: 99SDS0023-WM
F	Barra de soporte	1	Negro Mate: 99SGS1053-WM
G	Abrazaderas fijas de panel	2	Negro Mate: 99SGC2049-WM
H	Rodillos de la puerta	2	Negro Mate: 99SWE0063-WM
I	Cabo anti-saltos	2	Negro Mate: 99SWE0064-WM
J	Puerta de la ducha	1	99SGD0010-WM
K	Riel de aluminio en "U"	1	Negro Mate: 99STR1183-WM
L	Tira de estanqueidad	2	99SRU0063
M	Manija de la puerta	1	Negro Mate: 99SHA1072-WM
N	Tira de sellado inferior para panel de vidrio	1	99SRU0041
O	Sello de estanqueidad en parte inferior de puerta	1	99SRU0028
P	Sellos de estanqueidad verticales de paneles de vidrio	2	99SRU0026
Q	Guía de la puerta (con sello de estanqueidad)	1	Negro Mate: 99SGC2050-WM
R	Sello de estanqueidad vertical dew puerta de ducha	1	99SRU0027
T	Capuchones decorativos	2	Negro Mate: 99SHW0198-WM
U	Riel de aluminio decorativo	1	Negro Mate: 99STR1182-WM
V	Contenido de hardware	1	Negro Mate: 99SHW0199-WM

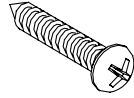
CONTENIDO DE HARDWARE

AA



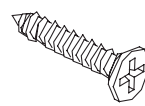
Tarugo
ø8x30mm
7+2

BB



Tornillo
ST5x30mm
3+1

CC



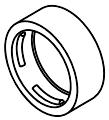
Tornillo
ST5x25mm
2+1

DD



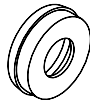
Tornillo
ST4x12mm
3+1

EE



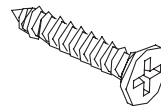
Capuchón
3x

FF



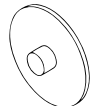
Accesorio
3x

GG



Tornillo
ST5x35mm
4+1

HH



Capuchón
4x

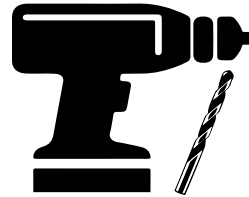
HERRAMIENTAS NECESARIAS



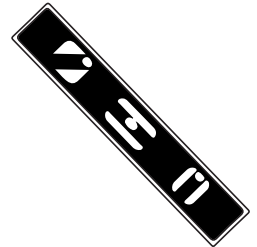
Lápiz



Destornillador



Taladro con brocas para cerámica
ø3mm (1/8pu) & ø4mm (5/32pu) & ø8mm (5/16pu)



Nivel



Cinta medidora



Silicona



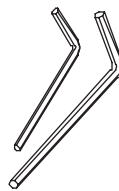
Mazo de goma



Cuchilla



Anteojos de seguridad



Llave Allen
2.5mm & 5mm

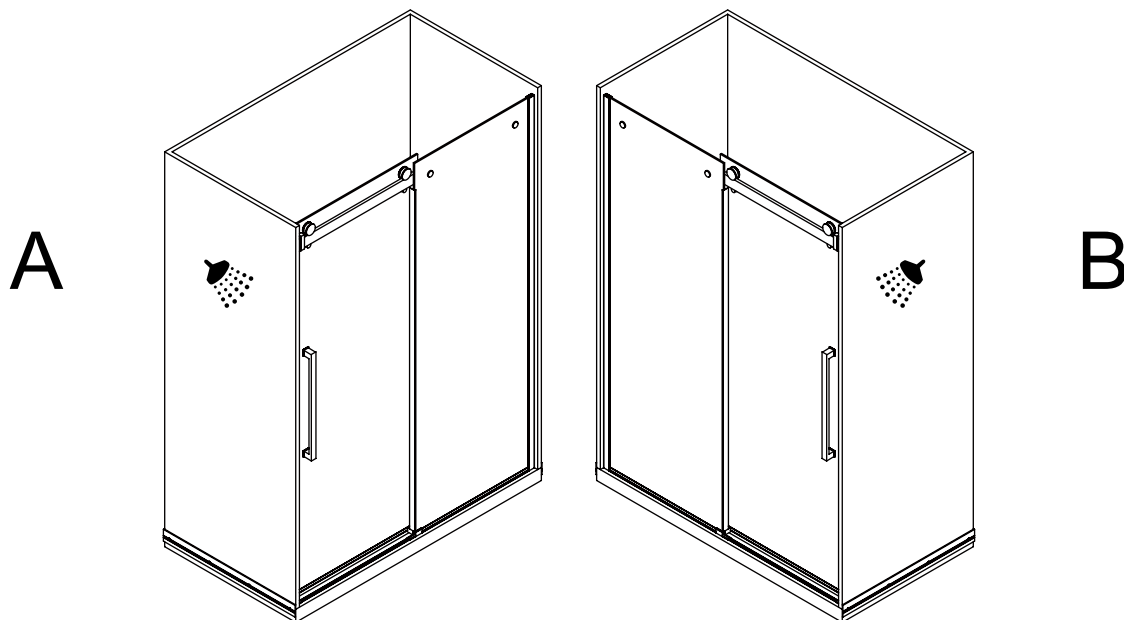


Llave de trinquete
Copa de 5mm

REVERSIBILIDAD DE LA DUCHA

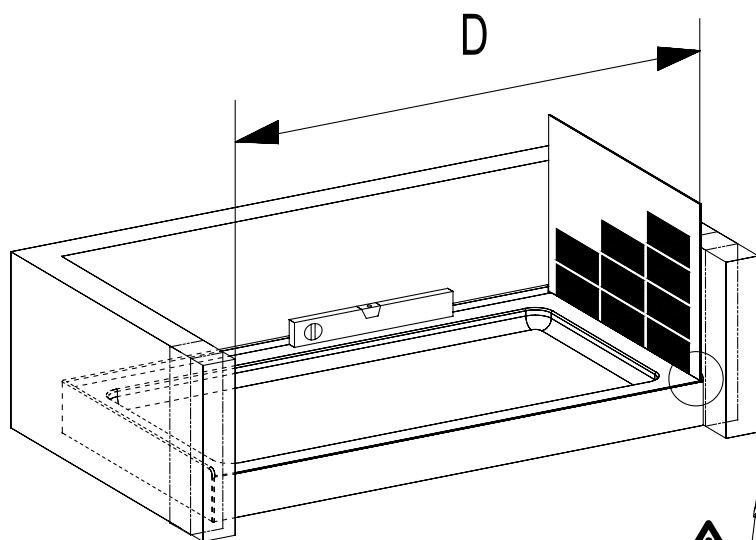
- Estas instrucciones fueron elaboradas para una abertura de puerta de derecha a izquierda (ilustración B).
- Para una abertura de izquierda a derecha (ilustración A), siga estas mismas instrucciones, pero cambie el lugar para la ubicación del riel: efecto espejo.

! ¡Instale la cabeza de la ducha hacia el lado de la puerta! Esto reducirá el riesgo de escape de agua.



DE PARED A PARED MEDIDAS

- Mida el espesor de las baldosas antes de instalar los rieles metálicos. Una baldosa más espesa limitará el espacio para instalar los paneles de la ducha.
- Asegúrese de tener una distancia baldosa a baldosa entre 1162mm (45 3/4 pulg.) Min y 1188mm (46 3/4 pulg.) Max (ver imagen).



Asegúrese de tener una distancia (D) de baldosas en el lado izquierdo de la teja en el lado derecho:

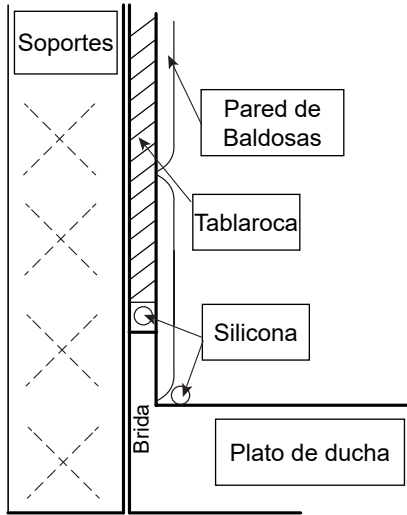
D Min: 1162mm (45 3/4 pulg.)
D Max: 1188mm (46 3/4 pulg.)



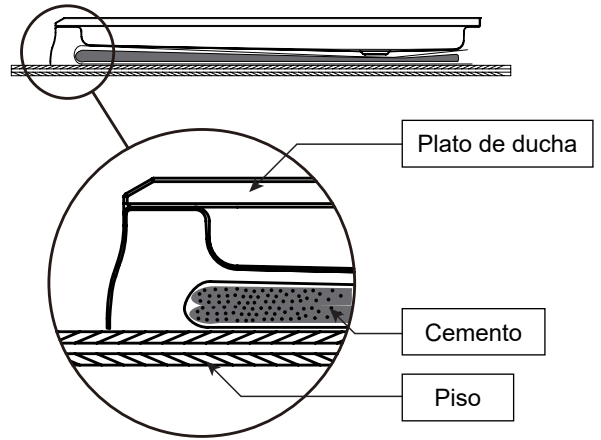
Si (D) < 1162mm (45 3/4 pulg.), se puede cortar la barra de soporte (D) con el tamaño adecuado. Sólo cortar el lado sin agujeros!

PAUTAS PARA LA INSTALACIÓN BASE (OPCIONAL)

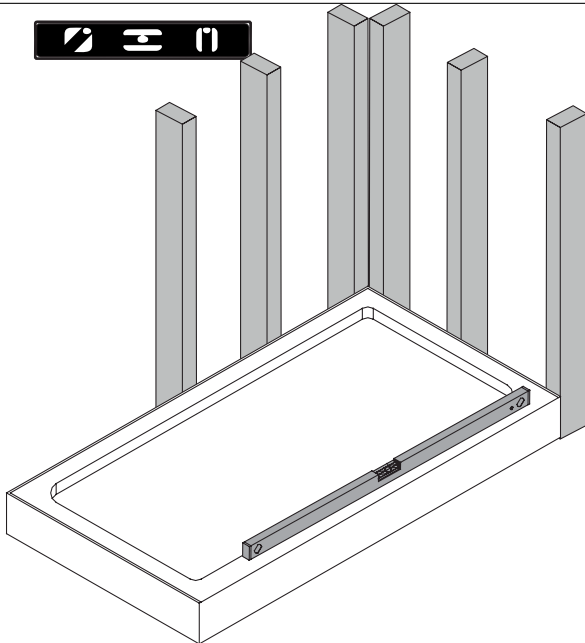
1



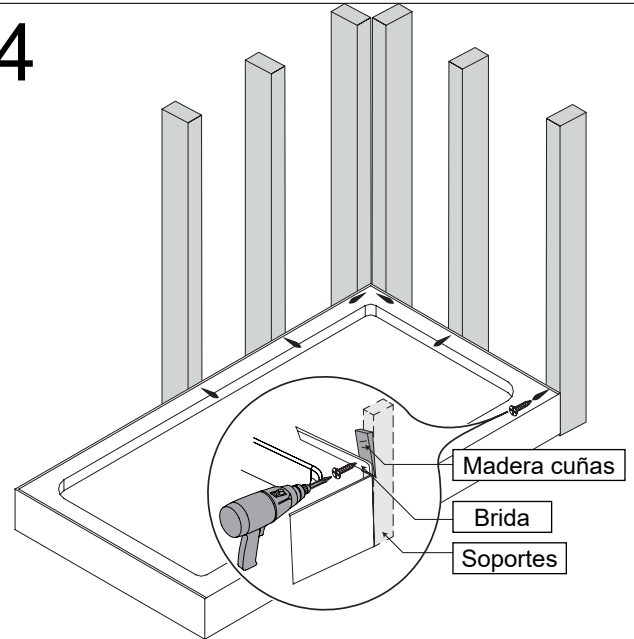
2



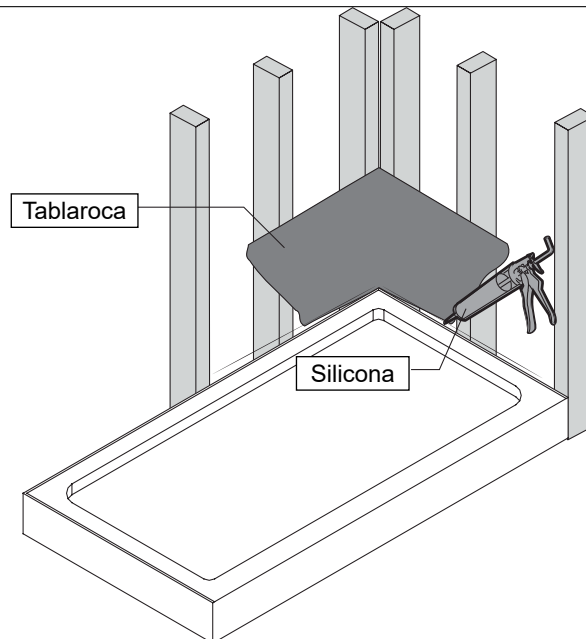
3



4



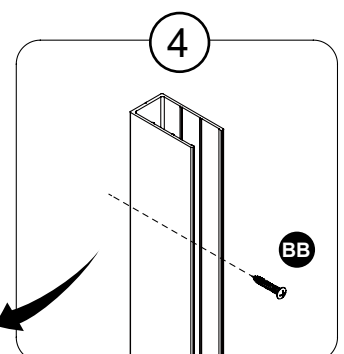
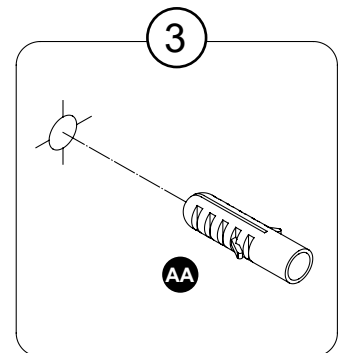
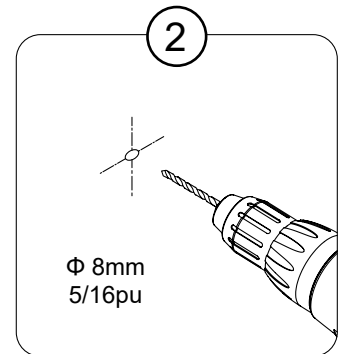
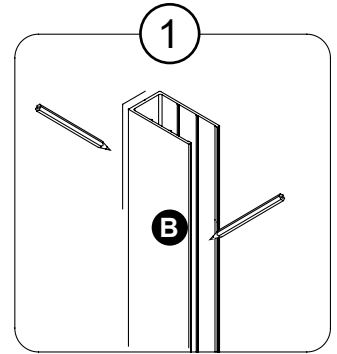
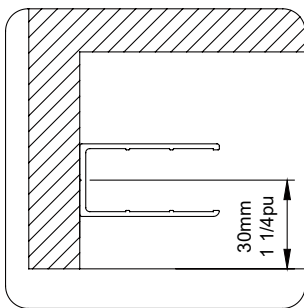
5



INSTALACIÓN DEL RIEL DE LA PARED

1. Asegúrese de que la base y las paredes estén niveladas. Coloque el riel metálico (B) a aproximadamente 30mm (1-1/4pu) desde borde de la base hasta el centro del riel metálico. Asegúrese de que el riel metálico (B) esté nivelado, marque claramente el sitio para los agujeros en la pared utilizando un lápiz.
2. Retire los rieles y perforo los agujeros guía en los sitios marcados con una broca de $\Phi 8\text{mm}$ (5/16pu).
3. Inserte los tarugos (AA) con un mazo de goma hasta que estos queden al ras de la pared.
4. Vuelva a colocar el riel de metal (B) y asegúrelo con los tornillos (BB). No apriete demasiado.

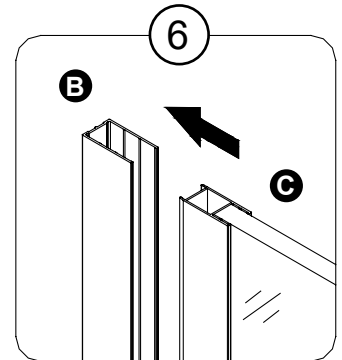
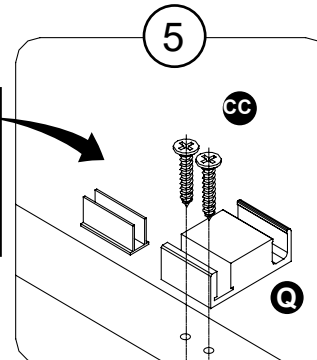
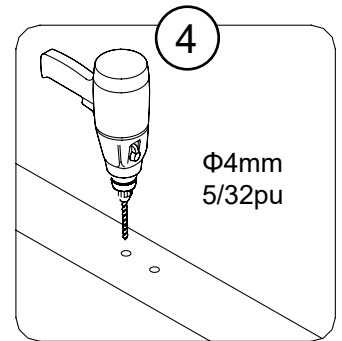
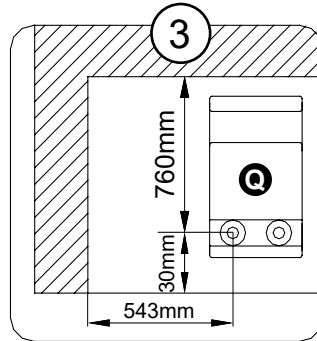
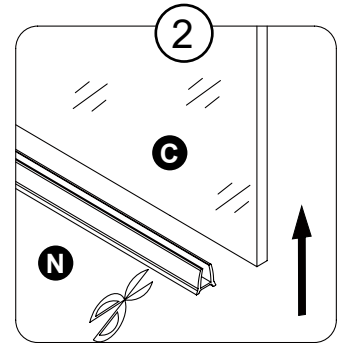
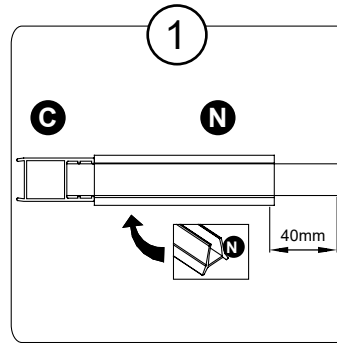
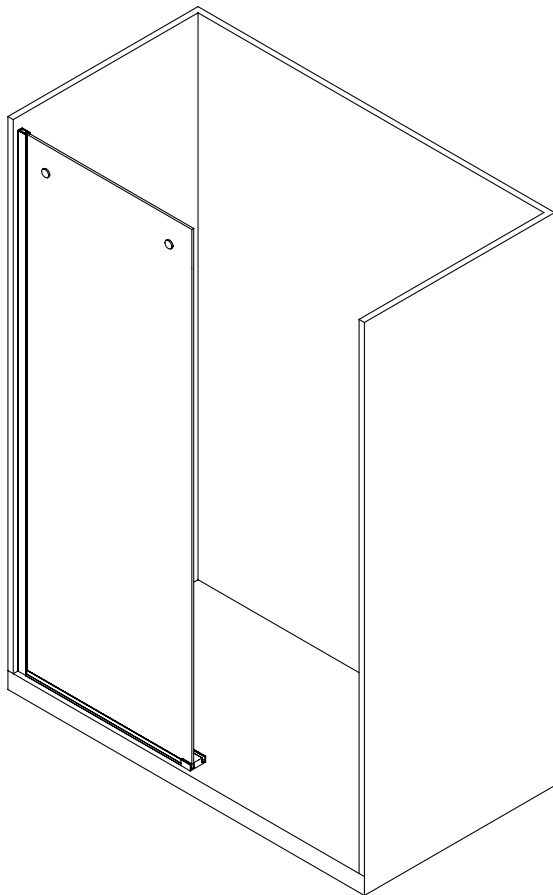
Consejos útiles:
¡Asegúrese de que el montante de soporte esté ubicado detrás del muro en seco, detrás de los rieles!



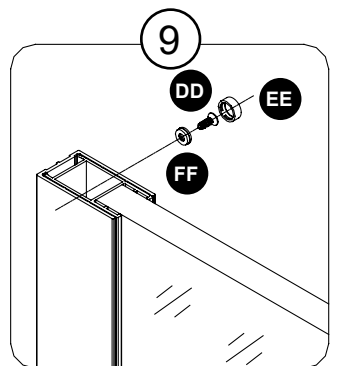
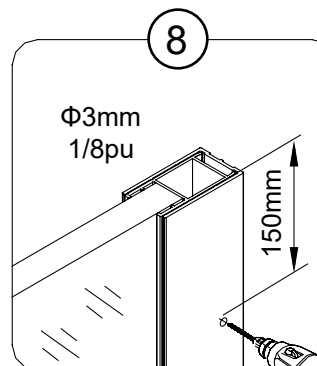
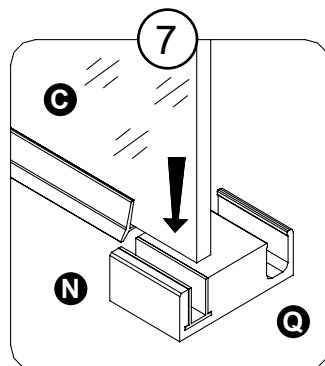
Consejos útiles:
¡No apriete excesivamente! Se podría cuartear las paredes de acrílico o el azulejo!

INSTALACIÓN DEL PANEL FIJO

- 1-2. Inserte la tira de sellado inferior (N) del panel fijo en la base del panel de vidrio fijo (C). Corte la parte sobrante con una cuchilla a la longitud adecuada, cerca 40mm desde el borde del panel.
3. Coloque la guía (Q) de la puerta corrediza sobre la base.
4. Marque las posiciones de los agujeros de la guía (Q) de la puerta corrediza con un lápiz, y perforo los agujeros guía con una broca de $\phi 4\text{mm}$ (5/32pu).
5. Fije la guía (Q) de la puerta corrediza con el tornillos (CC). Asegúrese de que la empaquetadura de plástico en la guía esté en su sitio ya que protege el panel de vidrio fijo.
- 6-7. Coloque el panel de vidrio fijo (C) en el riel de pared (B) y la guía (Q) de la puerta corrediza.
- Nota: Los rieles murales (B) permiten ajustar la posición de los paneles fijos (C). Al ajustar la profundidad o/y al dar ligero ángulo al panel se permite obtener un alineamiento perfecto con la puerta.**
8. Perfore el panel fijo (C) con una broca de $\Phi 3\text{mm}$ (1/8pu) en 3 sitios.
9. Fije el riel de pared (B) utilizando los tornillos (DD), los accesorios (FF) y los capuchones (EE).



Consejos útiles:
Agregue una gota de silicona en los agujeros antes de insertar los tornillos.

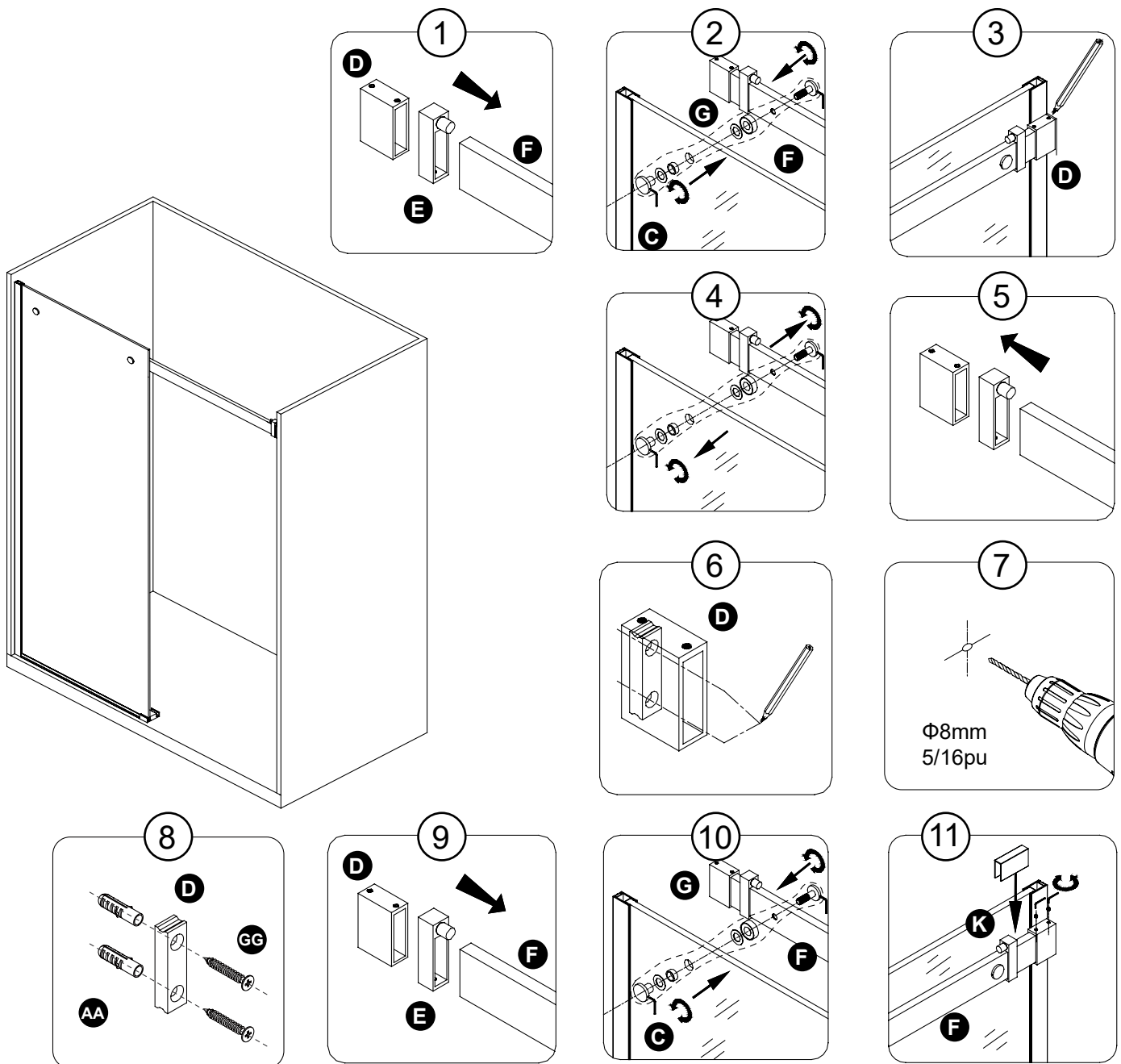


INSTALACIÓN DE LA BARRA DE SOPORTE

1. Deslice los 2 retenedores (E) y los 2 anclajes (D) de la barra de soporte sobre la barra de soporte (F).
2. Monte la barra de soporte (F) sin apretar en el panel de vidrio fijo (C) utilizando las abrazaderas (G) y nivélela.
3. Marque el contorno de los 2 anclajes (D) de la barra de soporte en la pared.
- 4-6. Retire completamente la barra de soporte. Vuelva a colocar los 2 anclajes (D) de la barra de soporte sobre su marca en la pared, luego marque su centro en la pared.

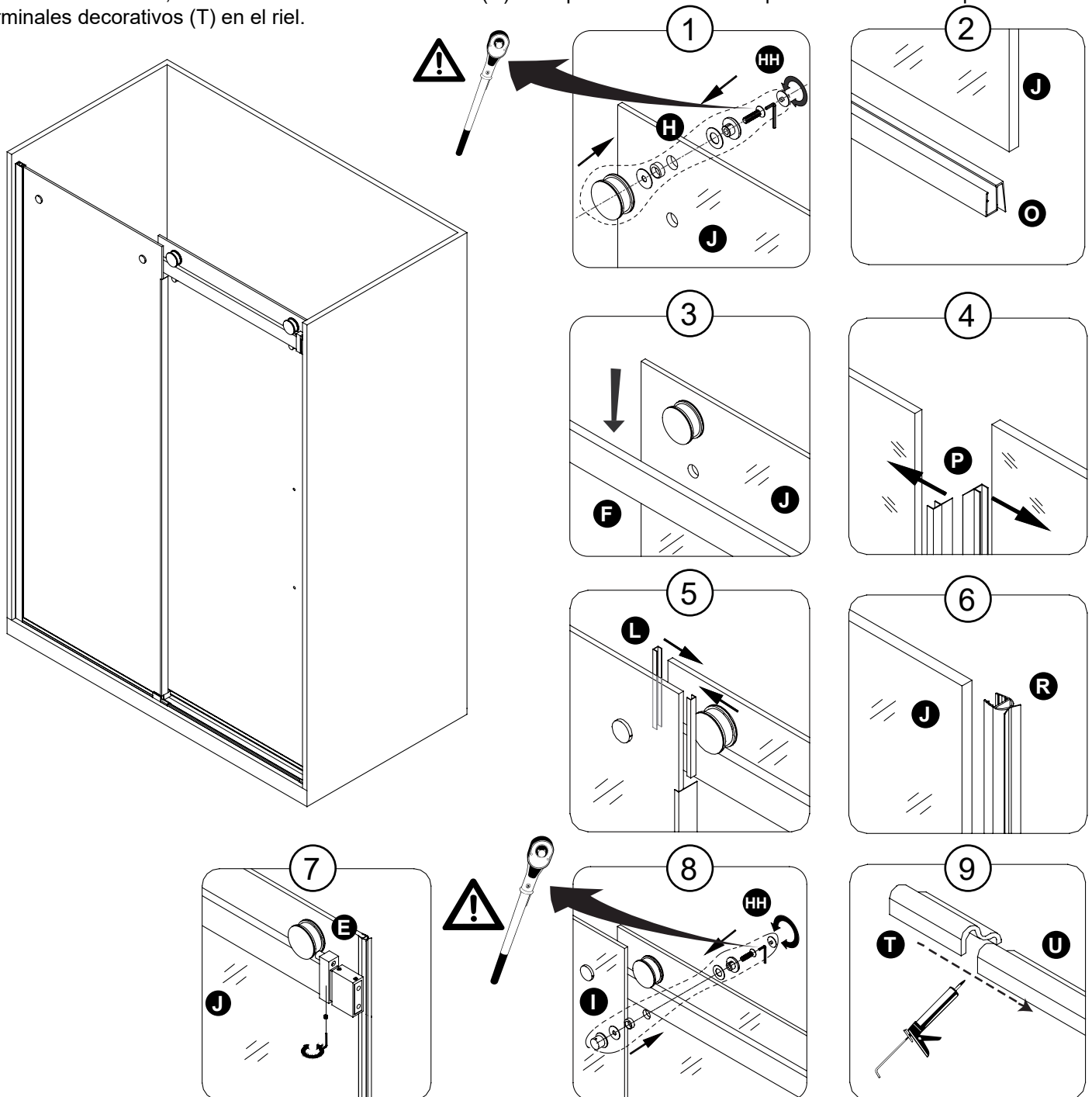
Nota: ¡Antes de continuar, coloque el panel de la puerta (J) dentro del recinto de la ducha para facilitar los pasos siguientes!

7. Perfore un agujero en las marcas centrales e inserte los anclajes (AA) de pared utilizando un mazo de caucho.
8. Fije el accesorio central de los anclajes (D) de la barra de soporte utilizando los tornillos (GG).
9. Deslice nuevamente retenedores de los rodillos (E) y los anclajes (D) de la barra de soporte sobre la barra de soporte (F). Luego fije barra de soporte a la pared.
10. Fije el panel fijo (C) sobre la barra de soporte (F) utilizando las abrazaderas (G).
11. Fije la barra de soporte (F) en los anclajes utilizando los tonillos de cabeza hexagonal incluidos. Instale el perfil de aluminio (K) entre el retenedor del rodillo y los anclajes de la barra de soporte



INSTALACIÓN DEL PANEL DE LA PUERTA

1. Instale los 2 rodillos superiores (H) en el panel de vidrio de la puerta (J). Utilice una llave de trinquete para apretar firmemente los pernos.
2. Inserte la tira de sellado inferior (O) de la puerta ten el panel de vidrio de la puerta (J).
3. Cuelgue suavemente el panel de la puerta por sus 2 rodillos superiores en la barra de soporte (F) y asegúrese de colocar la parte inferior de la puerta dentro de la guía (Q).
- 4-6. Instale las 2 tiras de sellado (P) de los paneles de vidrio. Cortar el excedente de la junta, de manera que las ruedas no se cayeron bien al abrir la puerta. Instale las 2 tiras de sellado de caucho pequeñas (L) en los paneles de vidrio. Instale las tiras de sellado verticales (R) de la puerta en el lado donde cierra. Corte la parte sobrante con una cuchilla a la longitud adecuada.
7. Posicione los 2 retenedores de los rodillos (E) para impedir que el panel de la puerta (J) golpee la pared al abrirse o cerrarse. Utilice la llave Allen para fijar firmemente los retenedores al encontrar la posición final.
8. Instale los 2 topes anti-saltos (I) en panel de la puerta de vidrio (J). Utilice la llave de trinquete para apretar firmemente los pernos.
9. Utilizando silicona, instale el riel metálico decorativo (U) en el panel delantero de la puerta. Deslice los capuchones terminales decorativos (T) en el riel.



INSTALACIÓN DE LA MANIJA Y SELLADO

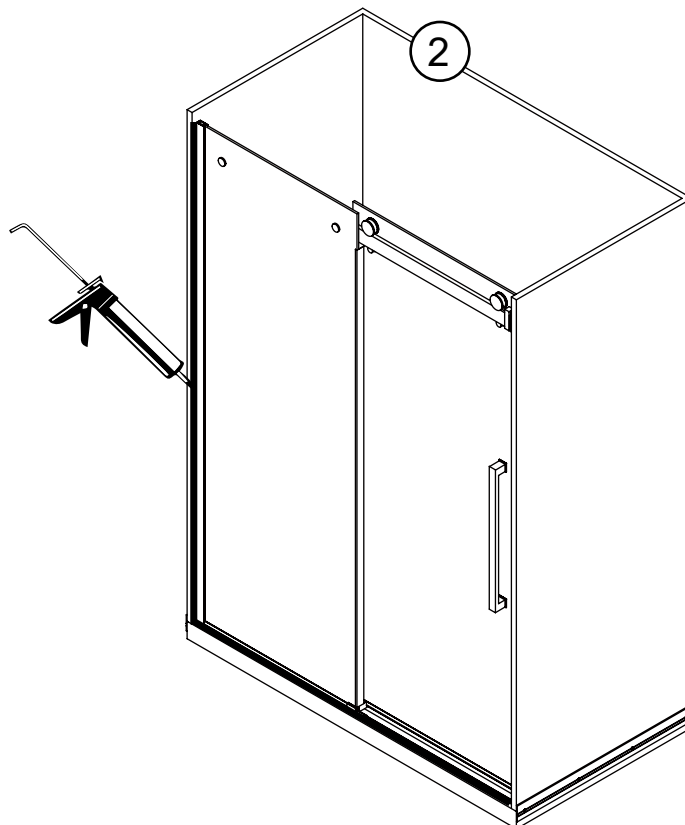
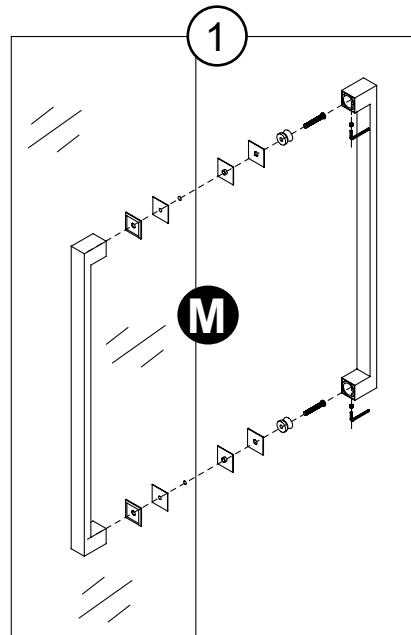
1. Instale la manija (M) de la puerta utilizando la llave Allen.

2. Asegúrese de que la puerta cierre firmemente y abra suavemente y que haya una conexión apretada entre el panel de vidrio y el riel al igual que con la barra se soporte

Aplique silicona transparente resistente al agua alrededor del perímetro interno y externo de todos los componentes de la ducha (horizontalmente entre la parte inferior del panel de vidrio y la base, al igual que verticalmente (entre la pared, el riel y el panel de vidrio)).

Deje secar la silicona durante 24h.

La aplicación inadecuada de la silicona puede resultar en fugas durante el uso de la ducha.



OVE Decors ULC

Garantía LIMITADA de productos

OVE es un distribuidor de los siguientes productos:

- Puertas de ducha (periodo de garantía de 5 años).
- Superficies acrílicas (periodo de garantía de 5 contra formación de burbujas, grietas o desportilladuras en la superficie de acrílico).
- Estructura de cubierta de acrílico (periodo de garantía de 5 años contra la pérdida de agua a través del laminado de fibra de vidrio del cuerpo de acrílico).
- Accesorios de ducha (manijas, bisagras, clips de soporte de caucho, barras de soporte de metal y rieles murales) (periodo de garantía de 1 año contra defectos en materiales y mano de obra).

Garantía limitada: OVE le garantiza al comprador minorista original que dentro de un tiempo razonable después de la notificación de parte del comprador, OVE reparará o reemplazará el producto, o cualquier pieza o componente del producto cubierto, distribuido por OVE el cual, a la satisfacción de OVE, ha resultado defectuosos en mano de obra o materiales, y el cual ha fallado durante el uso normal y dentro del periodo de garantía. Esta Garantía limitada no se aplica a productos que han sido dañados, o que han fallado como resultado de causas distintas de defectos de fabricación (tales como pero sin limitarse a instalación inadecuada; falta de cuidado o mantenimiento o si éstos son inadecuados; exposición a los elementos incluyendo productos y ambientes corrosivos o agua; alteración; abuso o uso inapropiado. Esta garantía no cubre daños a acabados. La garantía comienza en la primera fecha en que un Producto es comprado por el cliente. Esta garantía se aplica exclusivamente a productos comprados y usados en aplicaciones no comerciales.

Procedimiento de reclamación de garantía: Para hacer una reclamación, sírvase llamar al **1-866-839-2888** para resolver el problema y comenzar el proceso de reclamación, o escribir al correo electrónico **infoovedecors@gmail.com**. Los productos pueden ser inspeccionados o evaluados por OVE y cualquier producto o componente que llegue a cumplir con los criterios de garantía expuestos arriba será reparado o reemplazado a discreción de OVE. Las piezas reemplazadas o reparadas serán enviadas sin costo alguno al cliente por vía terrestre únicamente. Cualquier método de envío acelerado será por cuenta del cliente.

EXONERACIÓN DE RESPONSABILIDAD Y EXCLUSIÓN DE GARANTÍAS: Esta garantía es considerada la exposición completa y exclusiva de los términos de todas las garantías limitadas ofrecidas por OVE.

Hasta donde lo permita la ley, fuera de la garantía expresa detallada en este instrumento, NO HAY GARANTÍAS, EXPRESAS NI IMPLÍCITAS, INCLUYENDO GARANTÍAS IMPLÍCITAS DE COMERCIALIDAD O CONVENIENCIA PARA UN FIN PARTICULAR, OFRECIDAS POR OVE.

Esta garantía le da derechos legales específicos. Es posible que también tenga derechos, que pueden variar según legislaciones estatales, provinciales o nacionales pertinentes, que no podrán ser sometidos a renuncia ni ser modificados por la exoneración de responsabilidad mencionada arriba. Excepto lo permitido, la exoneración de responsabilidad no está destinada a generar la renuncia, modificar, liberar o limitar la aplicabilidad de legislaciones preventivas estatales, provinciales o nacionales inconsistentes con los términos de esta Garantía limitada y Exoneración de responsabilidad. Sin embargo, hasta donde la ley lo permita, ninguna garantía implícita de comercialidad o conveniencia es considerada bajo la presente garantía. No obstante la Exoneración de responsabilidad, si cualquier garantía implícita es impuesta por la operación de la ley, hasta donde se permita, la duración de dichas garantías implícitas está limitada al término más corto de la garantía expresa o el estatuto aplicable de limitaciones.

Los Productos mencionados arriba están destinados a ser instalados y utilizados para fines personales y consumo residencial. El uso del producto para cualquier otro fin, como fines comerciales anulará esta garantía. La Garantía limitada es aplicada únicamente a los Productos detallados en esta garantía, y no se da ninguna garantía a productos no distribuidos por OVE. Esta garantía es aplicable únicamente al primer comprador minorista.

Transferibilidad: Esta garantía no es transferible.

LIMITACIÓN Y EXCLUSIÓN DE REMEDIOS Y DAÑOS: La única responsabilidad de OVE bajo esta Garantía limitada será la reparar o reemplazar, a su discreción, cualquier Producto o componente defectuoso. El comprador acepta que éste es el remedio único y exclusivo bajo esta Garantía limitada. OVE no será responsable de ningún daño incidental, resultante, especial o indirecto, incluyendo pérdida de uso como resultado de cualquier defecto de fabricación en el Producto. OVE no será responsable de mano de obra, ni de cualquier otro costo asociado al retiro o a la instalación de piezas bajo garantía. Algunas legislaciones estatales, provinciales o nacionales no permiten la exclusión de daños incidentales o resultantes, entonces puede que esta limitación no se aplique a usted.

Modificación de productos: OVE se reserva el derecho de cambiar, modificar o mejorar los Productos sin la obligación de incorporar dichos cambios en Productos previamente vendidos o instalados.

Autoridad y modificación: El vendedor minorista no es agente de OVE y no está autorizado a cambiar o modificar los términos de esta Garantía limitada. Además, el vendedor minorista no podrá obligar a OVE ni hacer declaraciones o promesas respecto al Producto, que puedan comprometer a OVE.

MANTENIMIENTO

Para mantenimiento diario, utilice un paño húmedo y un limpiador líquido suave.

Nunca utilice abrasivos o limpiadores que contenga acetona, cloro o blanqueadores fuertes, espátulas o cepillos de cerdas metálicas, ni objetos o productos que puedan raspar o deslucir las superficies.

Utilice un trinquete para apretar firmemente a cualquier pernos utilizados para soportar los paneles de vidrio fijos o panel de puertas (pernos de soporte pueden soportar hasta 250 lbf * in de torque).

Compruebe el tornillo de la rueda cada 6 meses y apriete de nuevo si es necesario.