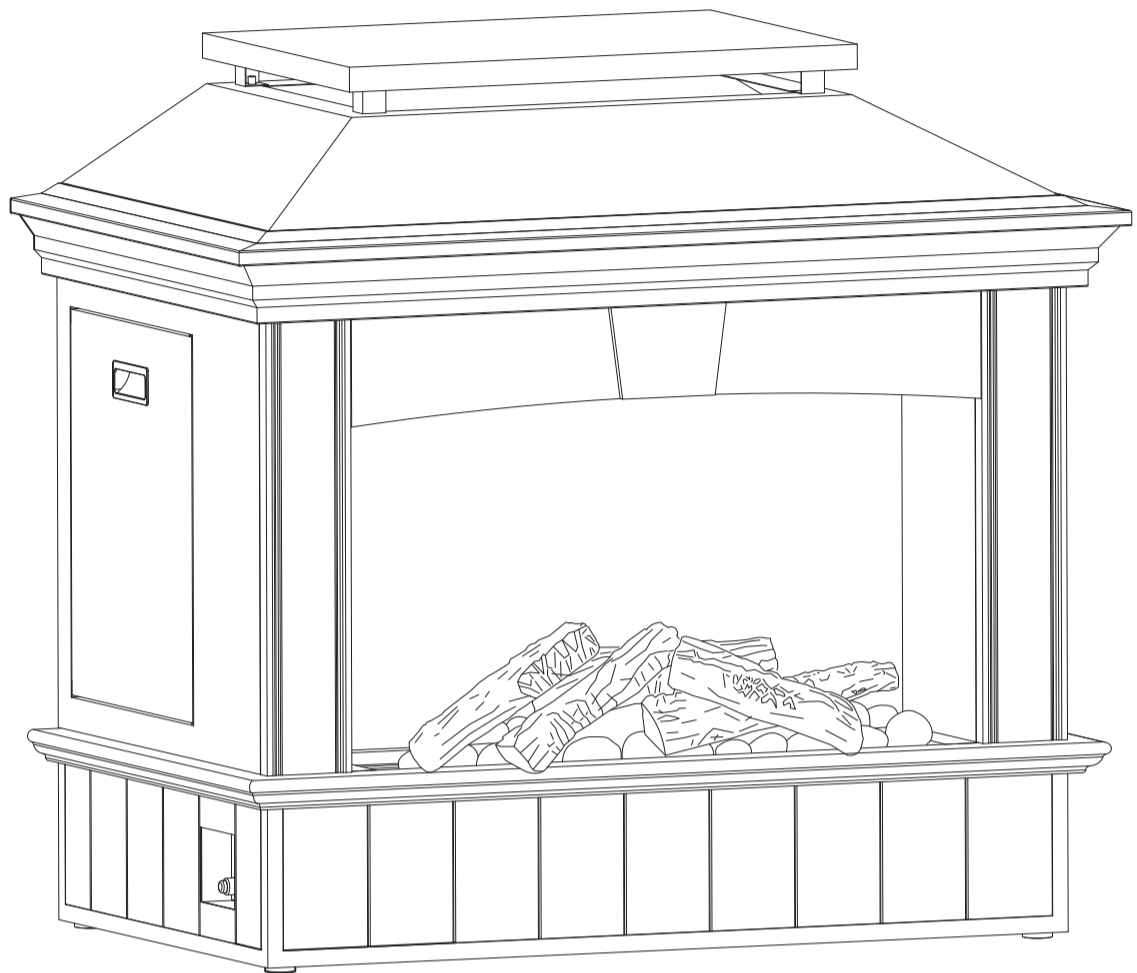


WARNING
FOR YOUR SAFETY:

For Outdoor Use Only (outside non-enclosed area) Do Not Use For Cooking.
Installation and service must be performed by a qualified installer, service agency, or the gas supplier.

WARNING
FOR YOUR SAFETY:

- ⚠ If the information in this manual is not followed exactly, a fire or explosion may result causing property damage, personal injury or loss of life.
- ⚠ **WHAT TO DO IF YOU SMELL GAS:**
 - Do NOT try lighting any appliance.
 - Do NOT touch any electrical switch; do NOT use any phone in your building.
 - Immediately call your gas supplier from a neighbor's phone.
 - Follow the gas supplier's instructions.
 - If you cannot reach your gas supplier, call the fire department.
- ⚠ **INSTALLER:** Leave this manual with the appliance. **CONSUMER:** Retain this manual for future reference.
- ⚠ If you are assembling this unit for someone else, give this manual to him or her to read and save for future reference.



WARNING
FOR YOUR SAFETY:

- ⚠ Improper installation, adjustment, alteration, service or maintenance can cause injury or property damage.
- ⚠ Read the installation, operation and maintenance instructions thoroughly before installing or servicing this equipment.

DANGER

If you smell gas:

1. Shut off gas to appliance.
2. Extinguish any open flame.
3. If odor continues, leave the area immediately.
4. After leaving the area, call your gas supplier or fire department.

Failure to follow these instructions could result in fire or explosion, which could cause property damage, personal injury, or death.

WARNING
FOR YOUR SAFETY:

1. Do NOT store or use gasoline or other flammable vapors or liquids in the vicinity of this or any other appliance.
2. An LP-cylinder not connected for use shall not be stored in the vicinity of this or any other appliance.

DANGER

Do NOT leave this appliance unattended while it is in operation.

<p>DANGER</p>	<p>CARBON MONOXIDE HAZARD</p> <ul style="list-style-type: none"> • This appliance can produce carbon monoxide which has no odor. • Using it in an enclosed space can kill you. • Never use this appliance in an enclosed space such as a camper, tent, car or home.
----------------------	---



ATTACH YOUR RECEIPT HERE

Serial Number _____ Purchase Date _____

Questions, problems, missing parts? Before returning to your retailer, call our customer service department at 1-866-439-9800, 8 a.m. - 8 p.m., EST, Monday - Sunday.
You could also contact us at partsplus@lowes.com or visit www.lowespartsplus.com.

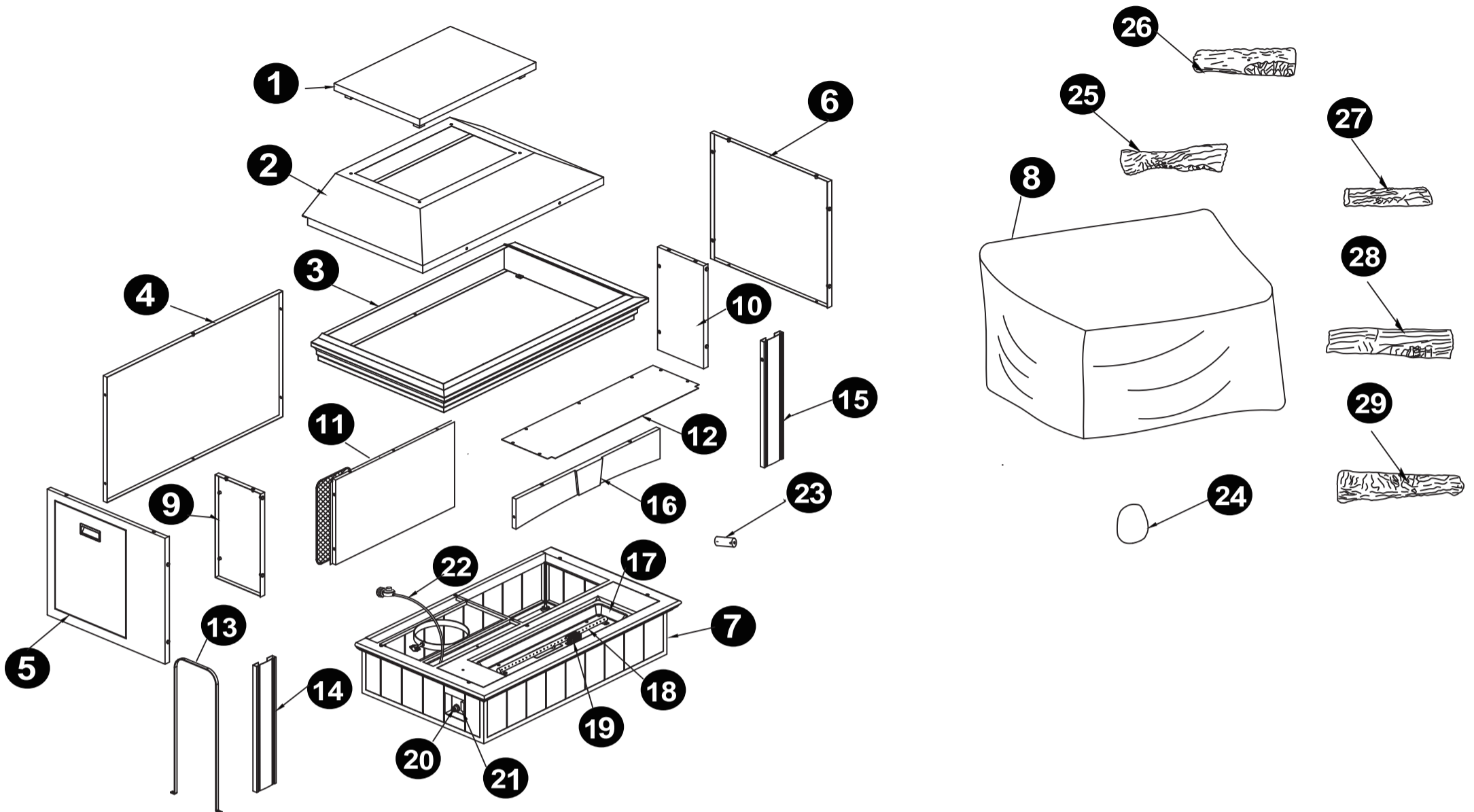
Table of Contents

- Package Contents 3
- Important Safety Information 4
- Propane (LP) Dangers And Warnings 6
- Caution 7
- Hose & Regulator Assembly and replacement 8
- Assembly Instructions 9
- Operating Instructions 13
- Cleaning and Care 15
- Troubleshooting 16
- Warranty and Replacement Parts List 17

This appliance complies with “ANSI Z21.97-2017-/CSA2.41-2017, Outdoor Decorative Gas Appliances.”
California Proposition 65: This product can expose you to carbon monoxide, which is a combustion by product known to the State of California to cause cancer birth defects or other reproductive harm. For more information go to www.P65Warnings.ca.gov.
California Proposition 65: Handling the brass material on this product can expose you to Lead, which is known to the State of California to cause cancer and birth defects or other reproductive harm. Wash hands after handling. For more information go to www.P65Warnings.ca.gov.
Gas Conversion Kits are also available in Lowe.com

PACKAGE CONTENTS

WARNING: Failure to position the parts in accordance with these diagrams or failure to use only parts specifically approved with this appliance may result in property damage or personal injury.



PART	DESCRIPTION	QUANTITY
1	Top Lid	1
2	Top Cover	1
3	Top Frame	1
4	Back Panel	1
5	Left Panel	1
6	Right Panel	1
7	Base	1
8	Polyester Cover	1
9	Left Clapboard	1
10	Right Clapboard	1
11	Back Clapboard	1
12	Top Clapboard	1
13	Gas Tank Barrier	1
14	Left Front Baffle Plate	1
15	Right Front Baffle plate	1

PART	DESCRIPTION	QUANTITY
16	Decorative Plate	1
17	Rectangular Bowl	1
18	Burner Head	1
19	Pilot Housing	1
20	Manual Electric Igniter	1
21	Control Knob	1
22	Regulator/Hose Assembly	1
23	AAA Battery	1
24	Pumice Stone	24
25	Log 1	1
26	Log 2	1
27	Log 3	1
28	Log 4	1
29	Log 5	1

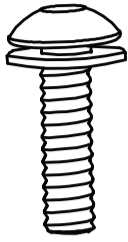
Battery

a. Size of battery/type/designation: AAA
 b. Nominal Voltage: 1.5V
 c. Number of batteries required: 1PC

d: Batteries included or not: Yes
 e: Caution for ingestion

HARDWARE CONTENTS (not shown actual size)

AA



M6 x 15 mm
Combination Bolt

Qty. 34

BB



Pin

Qty. 3

CC



Allen Wrench

Qty. 1

IMPORTANT SAFETY INFORMATION



WARNING FIREPLACE IS FOR OUTDOOR USE ONLY

Installation and repair should be done by a qualified service person. The appliance should be inspected before use and at least annually by a qualified service person. More frequent cleaning may be required as necessary. It is imperative that the control compartment, burners and circulating air passageways of the appliance are kept clean.

WARNING Failure to follow the dangers, warning and cautions in this manual may result in serious bodily injury or death, or in a fire or an explosion causing damage to property.

IMPORTANT NOTICE Read and understand all warnings and precautions prior to assembly and use of your gas fireplace. Improper installation, adjustment, alteration, service or maintenance can cause injury or property damage.

Note The use and installation of this product must conform to local codes. In the absence of local codes, use the National Fuel Gas Code, ANSI Z223.1/NFPA54. Reference to Natural Gas and Propane Installation code CSA B149.1 or Propane Storage and Handling code B149.2.

Minimum Clearance from Unit to Combustible Materials

65 in (165.1cm) from the top; 48 in (121.9cm) from all sides and back. Do not locate this fireplace under any overhead enclosure.

Children and adults should be alerted to the hazards of high surface temperatures and be kept at a safe distance while fireplace is in use. This outdoor fireplace is not to be operated by children.

Young children should be closely supervised when in the vicinity of this outdoor fireplace.

Do not hang or place clothing or other flammable materials on or near the gas fireplace.

Any guard or protective device removed for servicing the appliance shall be replaced prior to operating the appliance.

- This gas fireplace must be used ONLY outdoors in a well-ventilated space and shall NOT be used inside a building, garage, or any other enclosed area.
- DO NOT use this outdoor gas fireplace for indoor heating. TOXIC carbon monoxide fumes can accumulate and cause asphyxiation.
- This unit is to be used with propane gas & natural gas only (sold separately).
- Do not use a flame to check for gas leaks.

IMPORTANT SAFETY INFORMATION (Continued)

- Do not store or use gasoline or other flammable vapors and liquids within 25 feet (7.62m) of this or any other appliance.
- Do not store any combustible materials in the base enclosure.
- The use of alcohol, prescription or non-prescription drugs may impair an individual's ability to properly assemble or safely operate this outdoor fireplace.
- DO NOT use in an explosive atmosphere. Keep gas fireplace area clear and free from combustible materials, gasoline and other flammable vapors and liquids.
- This outdoor fireplace is not to be installed or used in or on recreational vehicles and/or boats.
- Always use in accordance with all applicable local, state and national codes. Contact your local fire department for details on outdoor burning.
- Use the same precautions you would with any open fire when using this outdoor fireplace.
- DO NOT burn solid fuels such as: wood, charcoal briquettes, lump charcoal, manufactured logs, driftwood, trash, leaves, paper, cardboard, plywood, painted, stained or pressure treated wood in this outdoor fireplace.
- DO NOT paint or color any part of this heating unit.
- DO NOT use this outdoor fireplace until it is COMPLETELY assembled and all parts are securely fastened and tightened.
- DO NOT store another LP gas tank within 10 feet (3.05 m) of this outdoor fireplace while it is in operation.
- DO NOT use this outdoor fireplace near automobiles, trucks, vans or recreational vehicles.
- DO NOT use this outdoor fireplace under any overhead structure or near any unprotected combustible constructions. Avoid using near or under overhanging trees and shrubs.
- Always use this outdoor fireplace on a hard, level non-combustible surface such as concrete, rock or stone. An asphalt or blacktop surface may not be acceptable for this purpose.
- DO NOT use this outdoor fireplace if any part has been under water. Immediately call a qualified service technician to inspect the fireplace and to replace any part or control system and any gas control which has been under water.
- Always remove protective cover before operating (if applicable).
- DO NOT set the protective cover over the unit until it is turned off and completely cooled down.
- DO NOT use in windy conditions.
- Keep all electrical cords away from a hot outdoor fireplace.
- Certain areas of this outdoor fireplace when in use will become too hot to touch. Do not touch hot surfaces until the unit has cooled unless you are wearing protective gear such as insulated pot holders or heat resistant gloves or mittens to avoid burns.
- DO NOT attempt to move or store this outdoor fireplace until all parts are cool.
- DO NOT lean over this outdoor fireplace when lighting or when in use.
- Use only the regulator and hose assembly provided. The replacement regulator and hose assembly shall be that specified by the manufacturer.
- DO NOT attempt to disconnect the gas regulator from the tank or any gas fitting while the outdoor fireplace is in use.
- Always shut off the supply at the tank valve and disconnect regulator from the tank when the fireplace is not in use.
- DO NOT sit on the fireplace when the unit is in operation.
- DO NOT throw anything into the fire when the unit is in operation.
- Glass Beads are very hot; please keep children or pets at a safe distance.
- It is essential to keep the outdoor fireplace valve compartment, burners, and circulating air passages clean. Inspect outdoor fireplace before each use.
- Check for leaks after not using the unit for long periods of time.
- Prior to each fireplace operation, visually check the hose for evidence of excessive abrasion or wear. If the hose is damaged, cracked or cut, it must be replaced before using the gas fireplace. The hose assembly can only be replaced with a hose assembly specified by the manufacturer. Please call Lowes at 1-866-439-9800.
- Before each use, remove the log and pumice stone. Examine the burner and its components. If dirty, clean with a soft brush and soapy water solution. Also examine the area around the burner. Any dirt or foreign material, such as spider webs or nests in this area should be removed. If it is evident that the burner is damaged, the fireplace must not be used. The burner assembly can not be replaced. Please contact Lowes at 1-866-439-9800 for technical support.
- Place the hose out of the pathways where people may trip over it (if using external tank). Do not place the hose in areas where it may be subjected to accidental damage.

ATTENTION: Any alteration of the outdoor fireplace that is not specifically directed in the operations manual will void manufacturer warranty.

PROPANE (LP) DANGERS AND WARNINGS

LP GAS

LP gas is flammable and hazardous if handled improperly. Become aware of the characteristics before using any LP gas product.

Propane Characteristics:

- Flammable, explosive under pressure, heavier than air and settles in pools in low areas.
- In its natural state, propane has no odor. For your safety, an odorant has been added.
- Contact with propane could burn your skin.
- Propane is extremely flammable and hazardous if handled improperly.

LP GAS WARNINGS:

- Cylinders must be stored outdoors in a well-ventilated area out of reach of children.
- Disconnected cylinders must have threaded valve plugs tightly installed and must not be stored in a building, garage or any other enclosed area.
- Be sure to use only one 20 lb (9.1 kg) LP gas cylinder with a Type 1 valve with this appliance as required by the American National Standards Institute (ANSI) and the Canadian Standards Steering Committee.
- Only tanks marked "propane" may be used.
- The LP gas supply tank must be constructed and marked in accordance with the Specifications for LP gas tanks of the U.S. Department of Transportation (DOT) or the National standard of Canada, CAN/CSA-B339, LP gas tanks, Spheres and Tubes for the Transportation of Dangerous Goods.
- LP gas tank must be arranged for vapor withdrawal.
- The LP gas tank must have a listed overfilling prevention device (OPD) and a QCCI or Type I (CGA810) LP gas tank connection.
- The LP gas tank must have a tank collar to protect the tank valve.
LP gas cylinder must contain a shut-off valve as specified in the standard for compressed gas cylinder valve outlet and inlet and inlet connection, ANSI/CGA-V-1-1977, CSA B96.
- Never use an LP gas tank with a damaged body, valve, collar, or footing.
- The LP gas tank should not be dropped or handled roughly.
- Never store your LP gas tank where temperatures can reach over 125°F.
- Do not store the LP gas cylinder in direct sunlight or near a source of heat or combustion.
- Never keep a filled LP gas tank in a hot car or car trunk. Heat will cause the gas pressure to increase, which may open the relief valve and allow gas to escape.
- Place dust cap on valve outlet whenever the LP gas tank is not in use. Only install the type of dust cap on the LP gas tank valve outlet that is provided with the LP gas tank valve. Other types of caps or plugs may result in leakage of propane.
 - a. Do not store a spare LP gas cylinder under or near this appliance.
 - b. Never fill the LP gas cylinder beyond 80% full.
 - c. If the information in (a) and (b) is not followed exactly, a fire causing death or serious injury may occur.
- LP gas cylinders should be filled only by a certified LP gas dealer.
- The pressure regulator is set for 11 inches of water column (pressure).
- The maximum inlet propane gas pressure for this outdoor fireplace is 250 psi.
- The minimum inlet propane gas pressure for this outdoor fireplace is 25 psi.
- The maximum inlet natural gas pressure for this outdoor fireplace is 10.5 inch w.c.
- The minimum inlet natural gas for this outdoor fireplace is 3.5 inch w.c.
- Never attempt to attach this appliance to the self-contained LP gas system of a camper trailer, motor home or house.
- Always use the pressure regulator and hose assembly provided with the appliance to connect to a LP gas cylinder. Never connect to an unregulated LP gas supply. For technical support contact Lowes at 1-866-439-9800.
- Hand turn the manual gas control valve. Never use tools. If the valve will not turn by hand, do not try to repair it. Call a Certified Gas Technician. The use of force or any self attempted repair may result in a fire or explosion.

Connecting your gas cylinder:

Before connection, be sure that there is no debris caught in the head of the gas cylinder, head of the regulator valve or in the head of the burner and burner ports. Connect regulator valve and hand-tighten firmly. Disconnect the propane cylinder from the regulator valve when the fireplace is not in use. DO NOT obstruct the flow of combustion air and ventilation air to the burner.

CAUTION

⚠ **CAUTION:** After lighting - using a fireplace tool and heat-resistant gloves, carefully move the log and pumice stone tback to heir proper position, being careful to avoid the flame.

⚠ **CAUTION:** If ignition does not occur in 5 seconds, turn control knob to “ OFF”, wait 5 minutes, fan with a newspaper or magazine and repeat lighting procedure.

⚠ **CAUTION:**

1. All cleaning and maintenance should be done when outdoor fireplace is cool and with the fuel supply disconnected.
2. Do not clean any outdoor fireplace part in a self-cleaning oven, the extreme heat will damage the finish.
3. Do not enlarge valve orifices or burner ports when cleaning the valves or burners.

⚠ **CAUTION:** NEVER place cover on hot outdoor fireplace.

PREPARATION

Before beginning assembly of product, make sure all parts are present. Compare parts with package contents list and hardware contents list. If any part is missing or damaged, do not attempt to assemble the product.

Estimated Assembly Time: 60 minutes

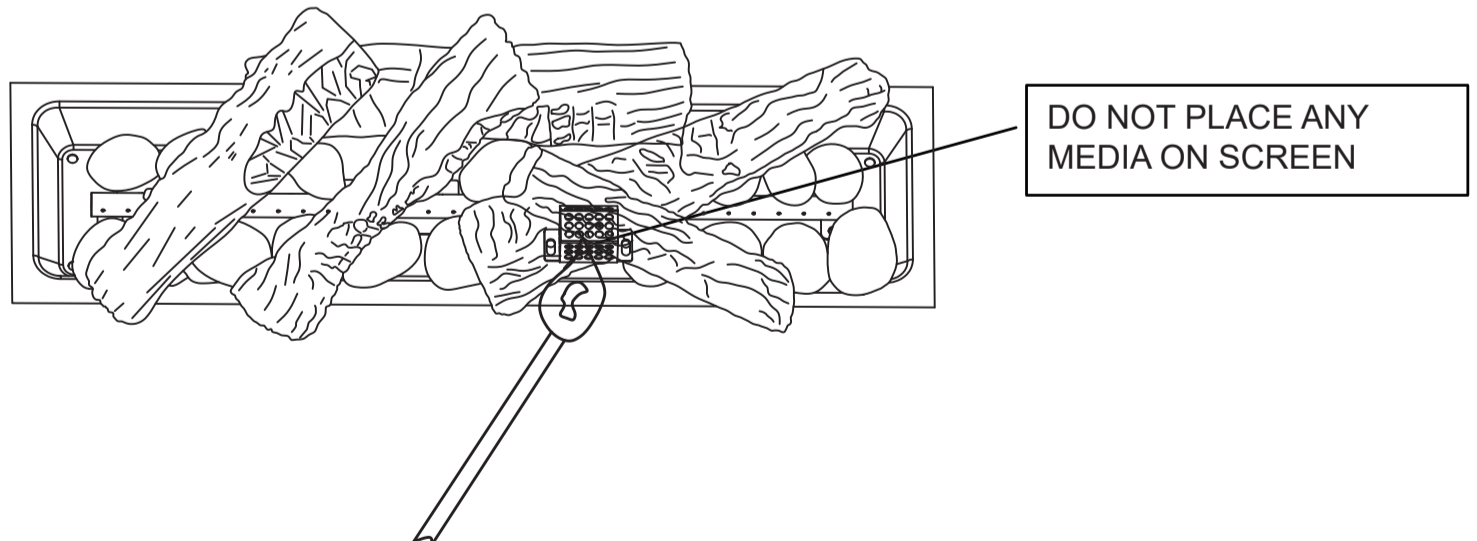
- a) Non-rechargeable batteries are not to be recharged
- b) Batteries are to be inserted with the correct polarity
- c) Exhausted batteries are to be removed from the product

HOSE & REGULATOR ASSEMBLY AND REPLACEMENT

1. This fireplace comes equipped with a standard LP gas hose and regulator including the appliance side connection for a CGA No 791 Cylinder Connection Device. The LP gas hose and regulator supplied with this fireplace must be used. Only a hose and regulator specified by manufacturer can be used for replacement.
 - a. The CGA No 791 connection incorporates a magnetic flow limiting device that acts to limit the flow of gas if a leak is detected between the regulator and the burner valve.
 - b. If the burner valve is open prior to the LP gas cylinder service valve being opened, the connection will interpret this free flow of gas to be a leak.
 - c. The connection safety feature will reduce gas flow from the regulator to the appliance to a minimal level.
 - d. Be sure that the burner control valve is closed prior to opening the LP gas cylinder service valve to ensure that the connection flow limiting device is not triggered mistakenly.
 - e. If the connection flow limiting device is triggered mistakenly, close the LP gas cylinder service valve and the burner valve, wait 10 seconds to allow the device to reset, open the cylinder service valve, then open the burner valve and light the fireplace as per lighting instructions.
2. Be sure to protect the hose from any hot surfaces. Serious danger may result if the hose contacts any hot surface.
3. Regular maintenance of the hose and regulator:
 - a. Inspect the hose before each use of the fireplace. If the hose shows signs of cracks, abrasions, cuts or damage of any kind, do not operate the appliance. Fix or replace the hose as required before using the appliance. For assistance with repair or replacement of the hose, call Lowe's at 1-866-439-9800. Use only replacement parts from the manufacturer.
 - b. Inspect the seal inside the CGA No 791 service valve on the LP gas cylinder when replacing the cylinder or at least once per year. If there is any indication of damage, have the seal replaced by a certified gas dealer before operating the appliance.
4. Do not use tools to tighten the CGA No 791 connection nut onto the LP gas cylinder service valve. Hand tighten only.
5. Be careful to not cross the threads on the connection when tightening the CGA No 791 connection on to the LP gas cylinder service valve.
6. "Leak Test" should always be performed after attaching the connection to the LP gas cylinder service valve. (See "Checking for Leaks" section of this manual on pages 10 and 12).
7. For the connection of the hose and regulator to the LP tank, refer to the "Connection" section of the LP gas cylinder section above.

Log and pumice stone Warning:

1. Log and pumice stone may have sharp edges. Wear safety glasses and gloves when handling.
2. Do not change or substitute the Log and pumice stone provided with this fireplace. If replacing, use only replacement Log and pumice stone media available from your local authorized dealer/distributor.
3. Pour the Log and pumice stone media evenly into the burner area (with the exception of the screen-if applicable). the Log and pumice stone should be 1/2-1 inch above the burner.




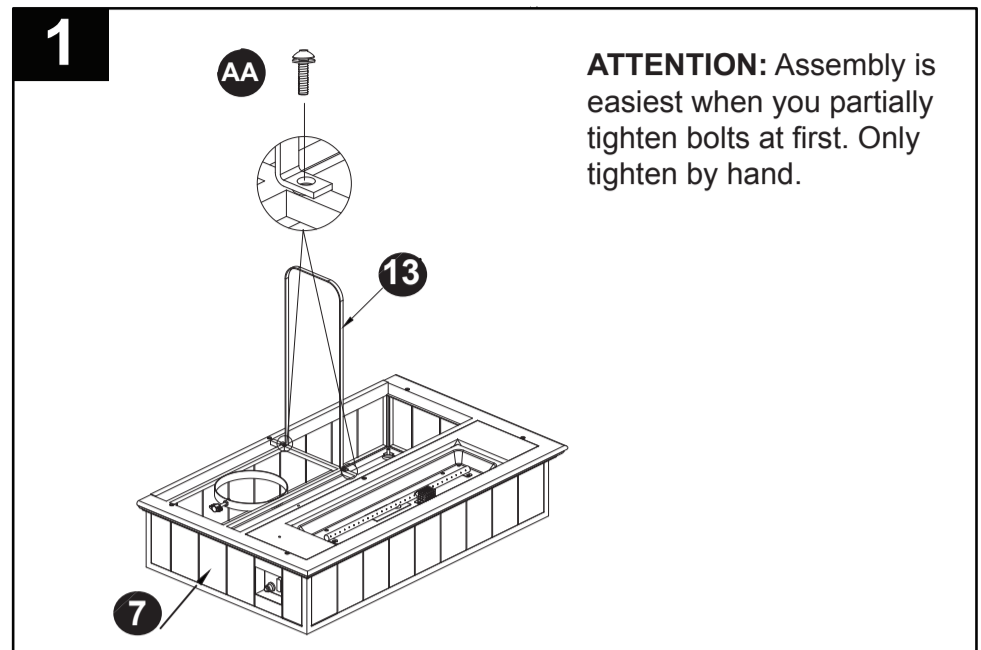
4. **IMPORTANT:** Do not exceed a height of 1 inch above the burner when placing Log and pumice stone media. Ensure no media covers the igniter screen. Store any excess media in a safe location.
5. Keep away from the unit for the first 20 minutes after igniting your unit for the first time, as log/ lava rocks/pumice stones /glass shards/glass beads could pop out and cause injury. Should any rocks pop out, discard them.
6. Always ensure that log/lava rocks/pumice stones/glass shards/glass beads are completely dry before use. Failure to do so will cause them to crack or pop.

ASSEMBLY INSTRUCTIONS

1. Attach the gas tank barrier (13) to the base (7) by using M6 x 15 mm combination bolts (AA).

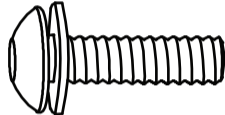
Hardware Used

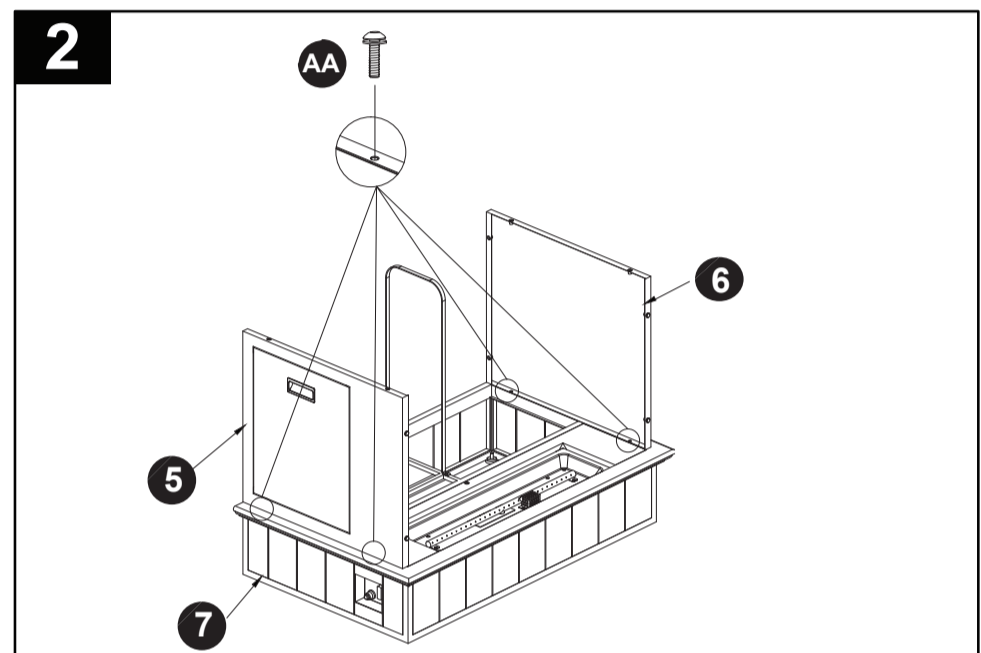
AA M6 x 15 mm combination bolt  x 2



2. Attach the left panel (5) and the right panel (6) to the base (7) by using M6 x 15 mm combination bolts (AA).

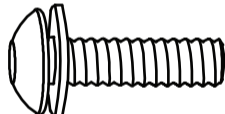
Hardware Used

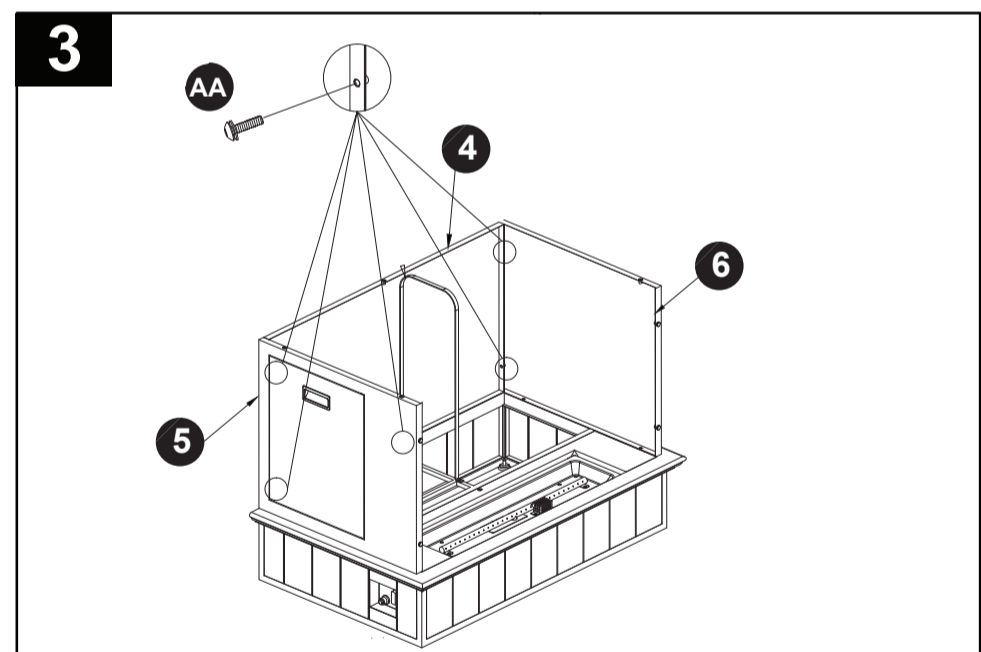
AA M6 x 15 mm combination bolt  x 4



3. Attach the back panel (4) to the left panel (5) and the right panel (6) by using M6 x 15 mm combination bolts (AA).

Hardware Used

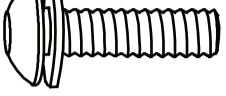
AA M6 x 15 mm combination bolt  x 5

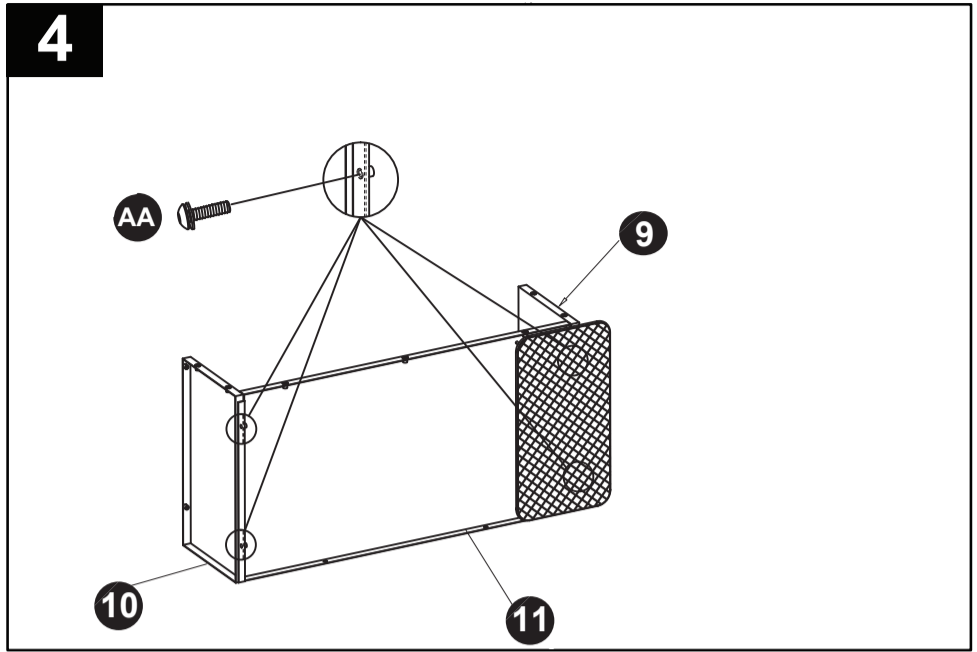


ASSEMBLY INSTRUCTIONS

4. Attach the left clapboard (9) and the right clapboard (10) to the back clapboard (11) by using M6X15mm combination bolts (AA).

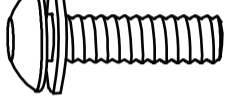
Hardware Used

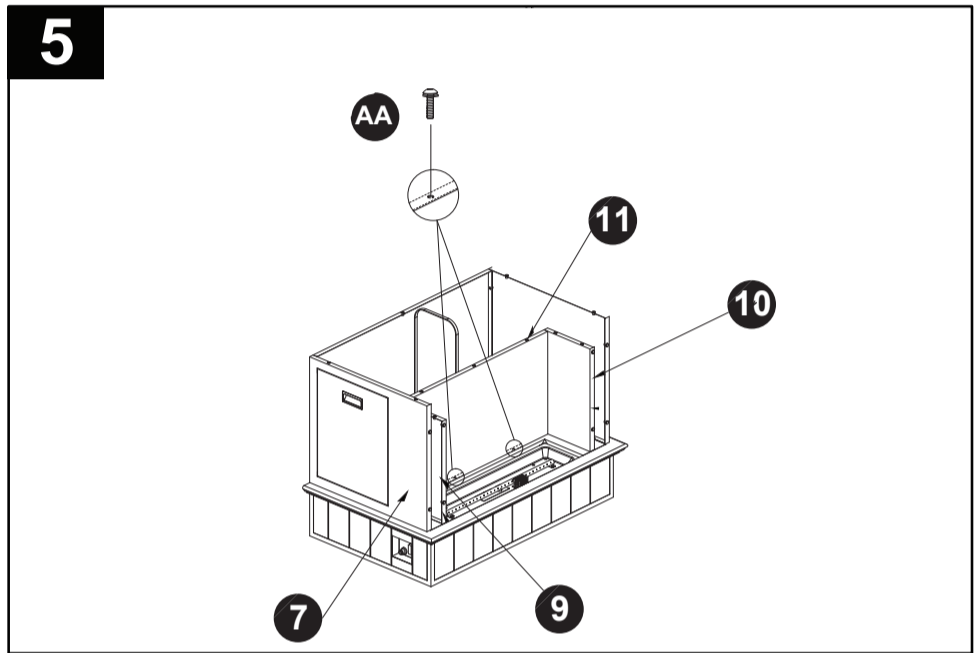
AA M6 x 15 mm combination bolt  x 4



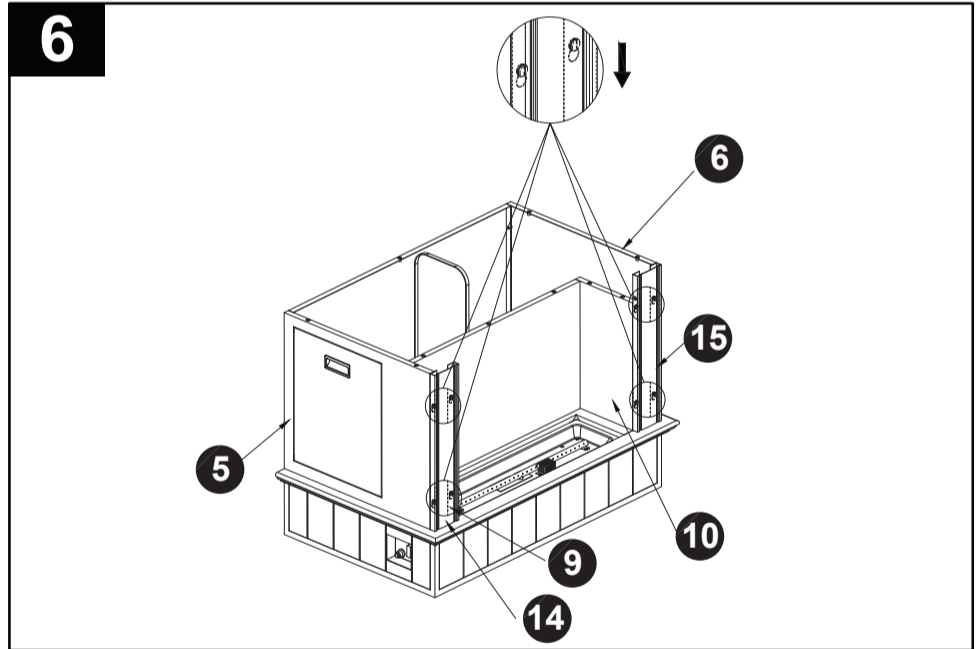
5. Attach the assembled left, right and back clapboard (9, 10 & 11) to the base (7) by using M6X15mm combination bolt (AA).

Hardware Used

AA M6 x 15 mm combination bolt  x 2




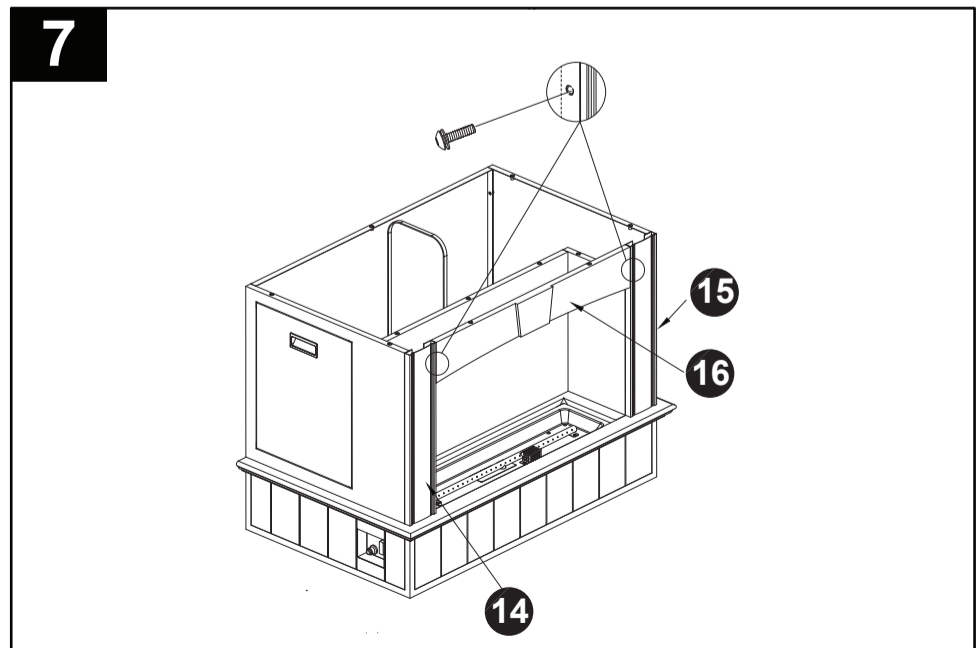
6. Attach the left front baffle plate (14) and the right front baffle plate(15) to assembled left and right clapboard (9&10) as per right shown.



7. Attach the Decorative plate (16) to the Left front baffle plate (14) and the right front baffle plate (15) by using M6x15mm combination bolts (AA).

Hardware Used


AA M6 x 15 mm combination bolt  x 2

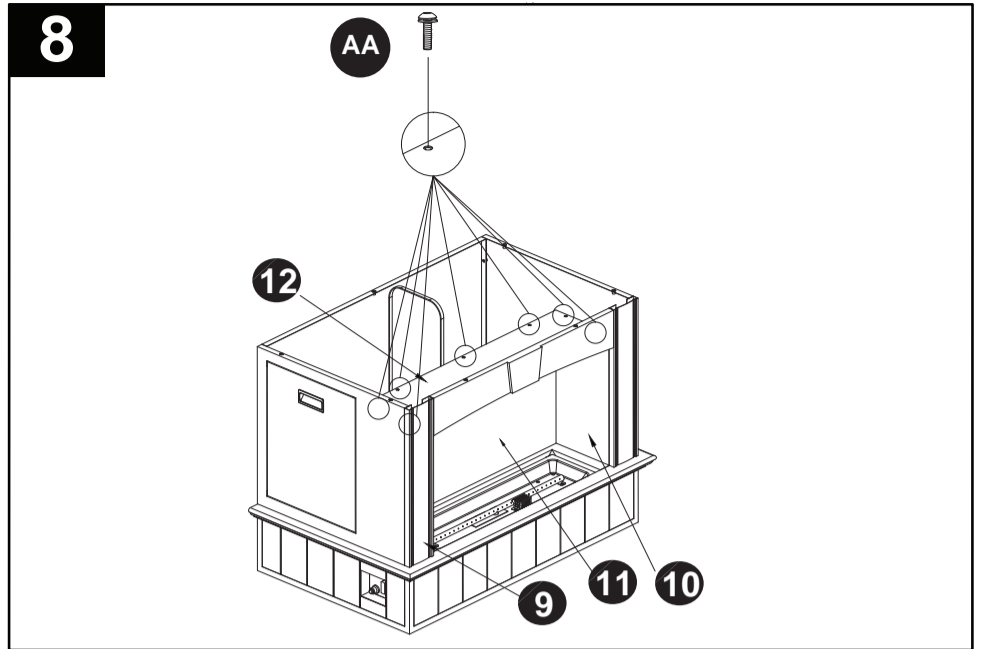


ASSEMBLY INSTRUCTIONS

8. Attach the top clapboard (12) to the assembled left, right and back clapboard (9, 10 & 11) by using M6x15mm combination bolt (AA) as per right shown.

Hardware Used

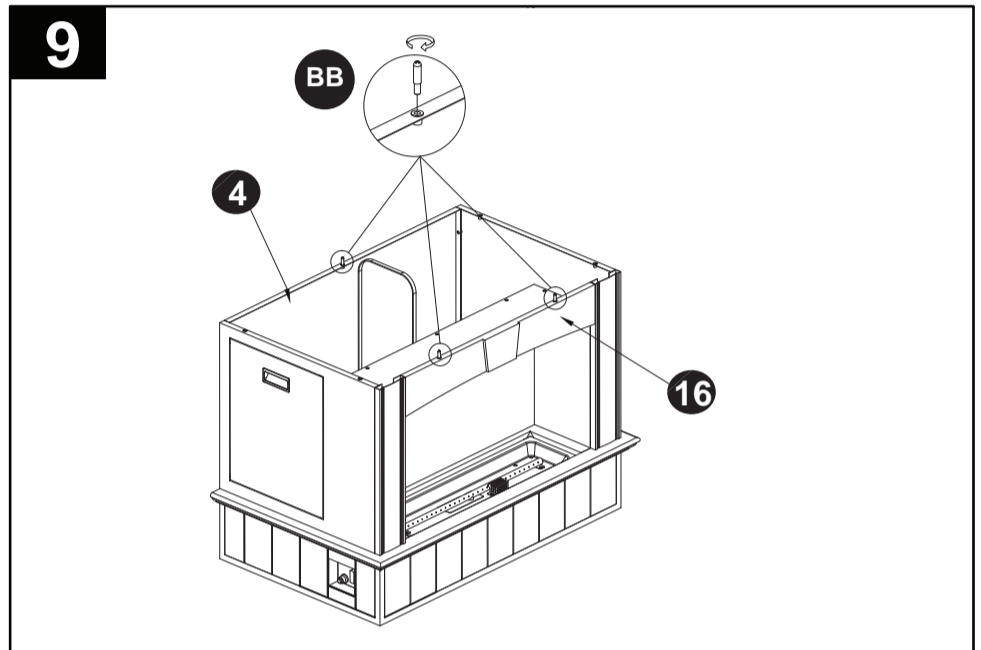
AA M6 x 15 mm combination bolt  x 7



9. Attach the pin (BB) to the back panel (4) and the decorative plate (16) as per right shown.

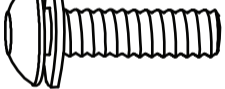
Hardware Used

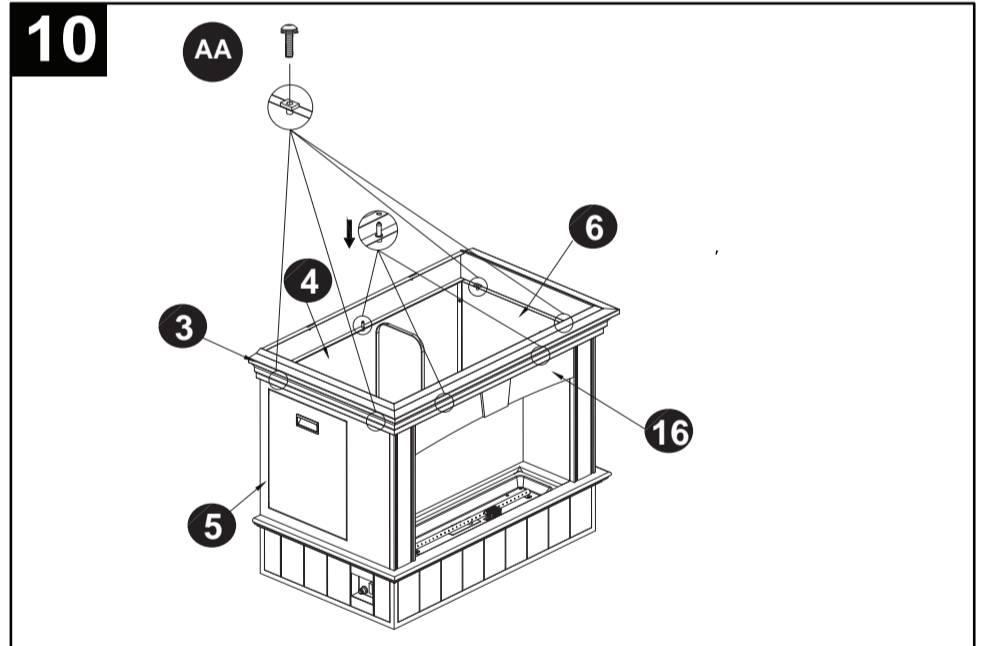
BB Pin  x 3



10. Attach the top frame (3) to the assembled panel (4, 5 & 6) and the decorative plate (16) by using M6x15mm combination bolts (AA).


Hardware Used

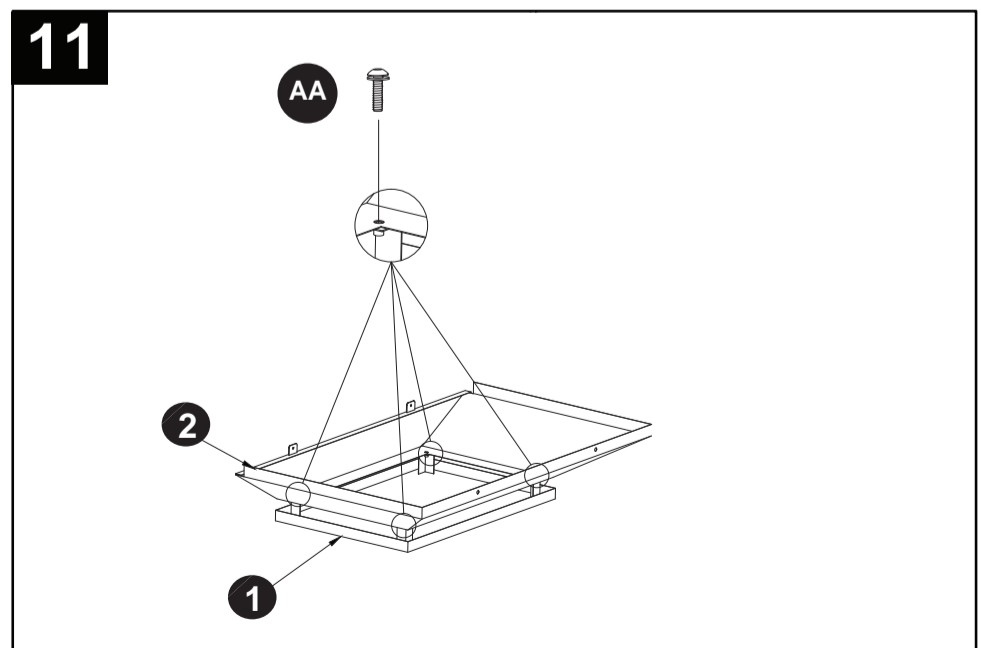
AA M6 x 15 mm combination bolt  x 4



11. Attach the top cover (2) to the top Lid (1) by using M6x15mm combination bolts (AA).

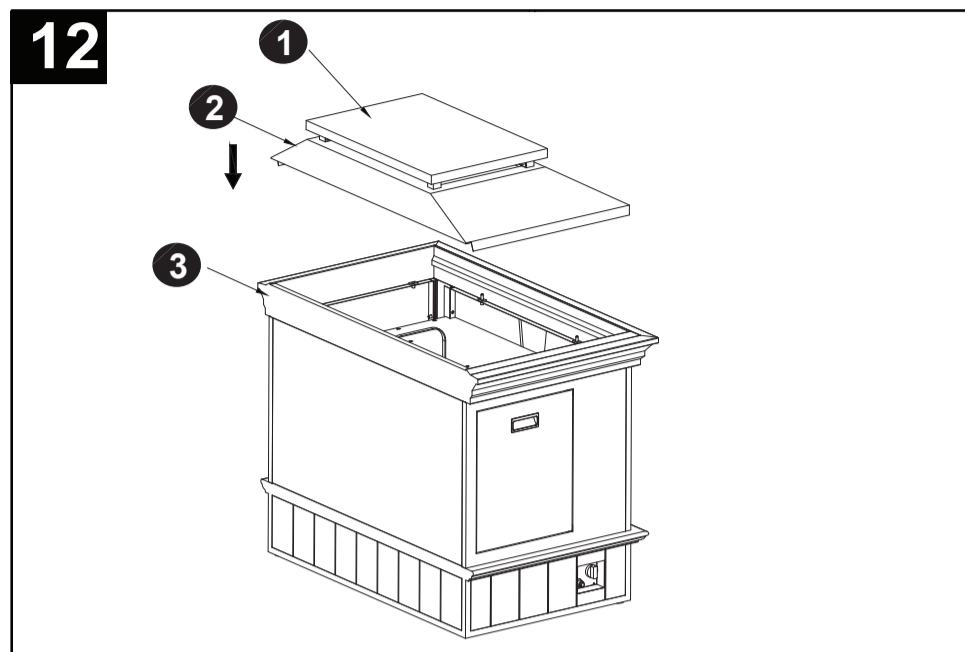
Hardware Used

AA M6 x 15 mm combination bolt  x 4

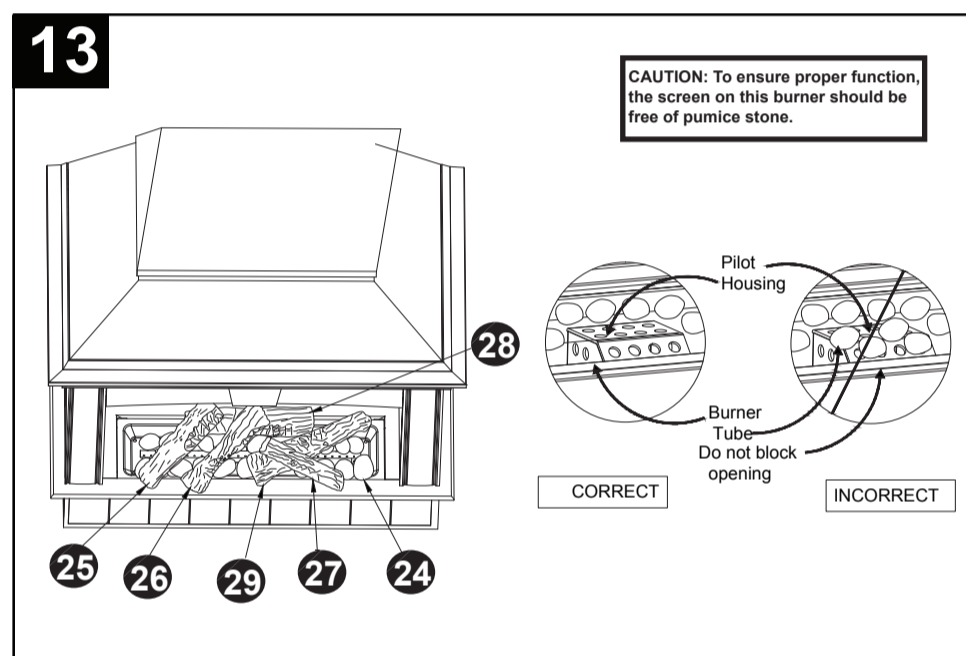


ASSEMBLY INSTRUCTIONS

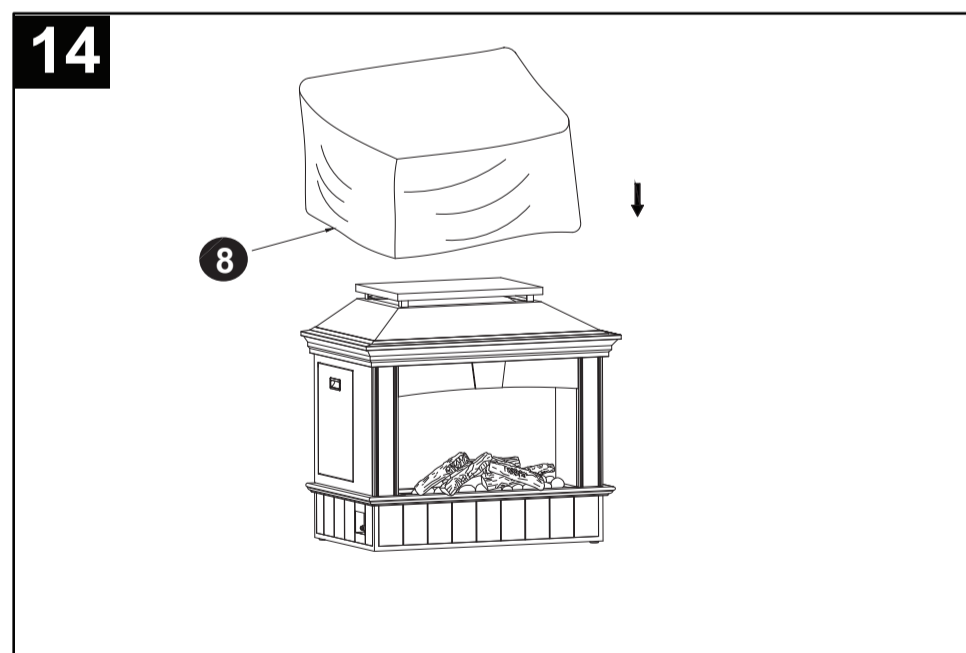
12. Attach the assembled top lid (1) and the top cover (2) to the assembled top frame (3) as per right shown.



13. Place on the pumice stone (24) and the log (25, 26, 27, 28 & 29) to the burner bowl.



14. Place the polyester cover (8) over the fireplace after use.

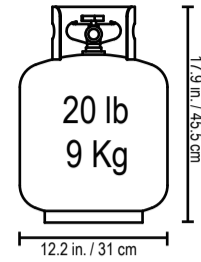


OPERATING INSTRUCTIONS

Installing LP Gas Tank

To operate, you will need one precision-filled standard grill LP gas tank with external valve threads.

CAUTION: LP gas tank must be properly disconnected and removed prior to moving this outdoor fireplace.

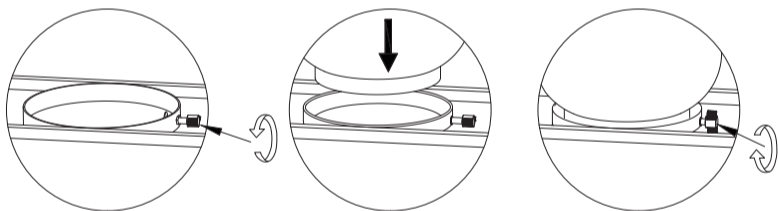
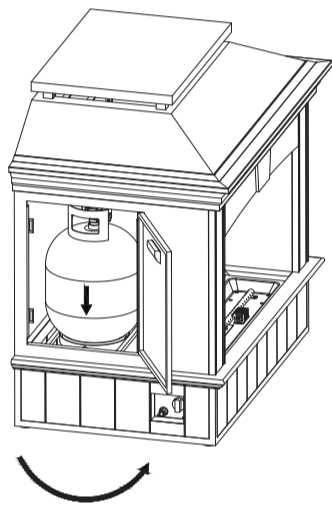


Inserting LP Gas Tank

WARNING: Make sure LP gas tank valve is closed.

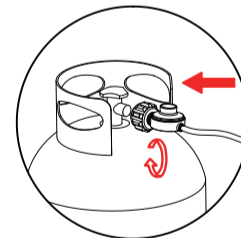
1. Loosen LP gas tank retainer bolt by turning counter-clockwise.
2. Place precision-filled LP gas tank upright into hole in outdoor fireplace base so the tank valve is facing the gas line connection.
3. Secure tank by turning LP gas tank retainer bolt clockwise until tight.

Step 1



Connecting LP Gas Tank

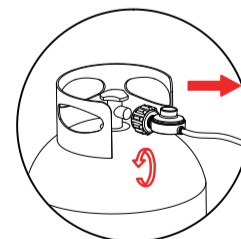
1. Before connecting be sure there is no debris caught in the head of the LP gas tank head of the regulator valve or in the head of the burner or burner ports.
2. Connect regulator/hose assembly to tank by turning knob clockwise until it stops.



Disconnecting LP Gas Tank

1. Before disconnecting make sure the LP gas tank valve is "CLOSED"
2. Disconnect regulator/hose assembly from LP gas tank by turning knob counterclockwise until it is loose.

CAUTION: LP gas tank must be properly disconnected and removed prior to moving this fireplace.



3. Place the protective cap cover on the LP tank and store the tank outdoors in a well ventilated area out of direct sunlight.

Operating Instructions

Checking for Leaks

- ⚠ WARNING:** Before using this outdoor fireplace, make sure you have read, understand and are following all information provided in the “Important Safety information” section on page 4. Failure to follow those instructions can cause death, serious, injury or property damage.

Burner Connections

1. Make sure the regulator hose and valve connections are securely fastened to the burner and the tank.
2. Visually check the connection between the burner/venturi tube and orifice.
3. Make sure the burner/venturi tube fits over the orifice.

- ⚠ WARNING:** Failure to inspect this connection or follow these instructions could cause a fire or an explosion which can cause death, serious bodily injury or damage to property.

4. Please refer to diagram for proper installation (Figures 1 and 2).
5. If the burner/venturi tube does not rest flush to the orifice, as shown, please contact 1-866-439-9800 for assistance.

Tank/Gas Line Connection

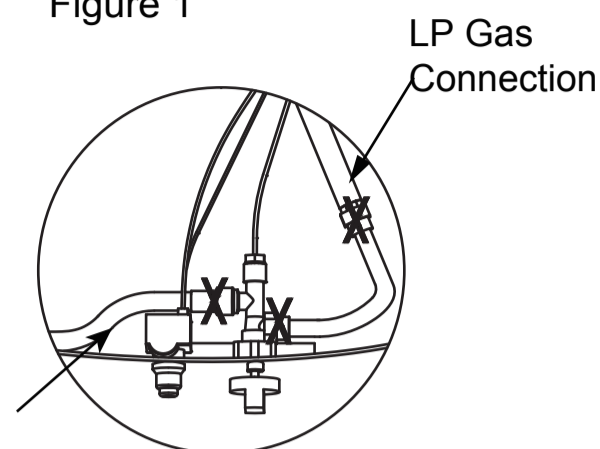
1. Make 2-3 oz of leak detection solution by mixing one part liquid dishwashing soap with three parts water.
2. Make sure control knobs are in the “OFF” position (Figure 3).
3. Connect LP gas tank per “Installing LP Gas Tank”
4. Turn off the igniter cover and put the battery (9) inside according to the electrode (Figure 4).
5. Close the fireplace door panel (Figure 5).
6. Turn LP gas tank valve to “OPEN”.
7. Spoon several drops of solution or use a squirt bottle, at all “X” locations (Figures 1 and 2).
 - a. If any bubbles appear, turn LP gas tank valve to “CLOSED”, reconnect and re-test.
 - b. If you continue to see bubbles after several attempts turn LP gas tank valve to “CLOSED” and disconnect LP gas tank, per “Disconnecting LP Gas Tank” Contact 1-866-439-9800 for assistance.
 - c. If no bubbles appear after one minute, turn LP gas tank valve to “CLOSED”, wipe away solution proceed.

Lighting

- ⚠ WARNING:** NEVER light the burner with the cover on the outdoor fireplace.
- ⚠ CAUTION:** keep outdoor gas appliance area clear and free from combustible materials. gasoline and other flammable vapors and liquids.
- ⚠ CAUTION:** Do NOT obstruct the flow of combustion and ventilation air.
- ⚠ CAUTION:** Check and clean burner/Venturi tubes for insects and insect nests. A clogged tube can lead to a fire.

1. Make sure all labels, packaging and protective films have been removed from the outdoor fireplace.
2. Check for obstructions of airflow to the burner. Spiders, insects and webs can clog the burner/venturi tube. A clogged burner tube can lead to a fire.
3. Control knob must be in the “OFF” position (Figure 3).
4. Clear small area of pumice stone away from the igniter cover (Figure 6).
5. Connect LP gas tank per “Installing LP Tank” section.
6. Turn LP gas tank valve to “OPEN”.
7. Push and hold the electronic igniter to create sparks within the electrode, continue to hold.
8. Push in the control knob and turn to the “ON” position, Keep holding down the control knob to allow gas to flow for 20 seconds.
9. After 20 seconds, release and turn control knob counterclockwise to adjust flame to desired height.
10. If ignition does not occur in 20 seconds turn burner control knob to “OFF” wait 5 minutes, fan with a newspaper or magazine, and repeat lighting procedure.
11. Remove cover and lid from outdoor fireplace before lighting.

Figure 1



LP Gas Valve with orifice

Figure 2

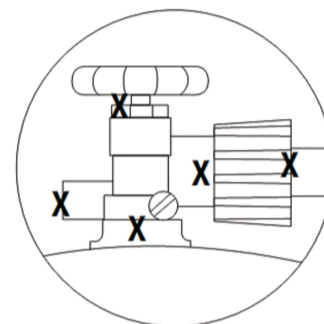


Figure 3

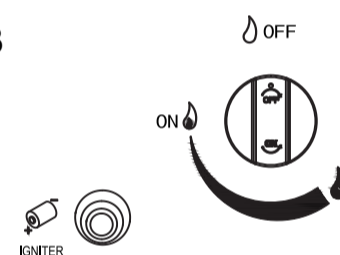


Figure 4

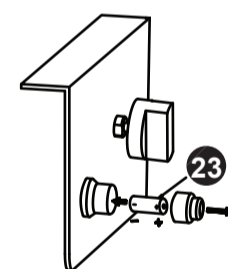


Figure 5

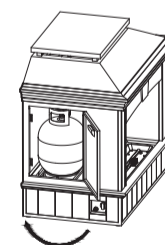


Figure 6

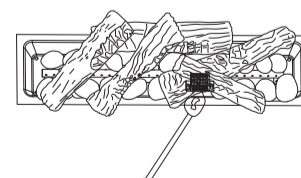
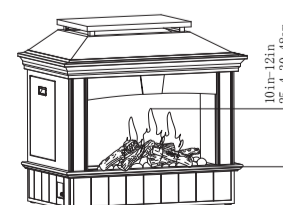


Figure 7



OPERATING INSTRUCTIONS (CONTINUED)

12. If igniter does not light burner:

- a. Wearing heat-resistant gloves, position a long lit match or long lit butane lighter near the pilot housing.
- b. Push and turn control knob to “ON 🔥”
- c. Remove match/lighter once burner is lit.

13. After lighting, observe the burner flame make sure all burner ports are lit and flame height matches illustration (Figure 7)

Turning Off

1. Turn LP gas tank valve to “CLOSED”.
2. Turn control knob to the “🔥 OFF” position. Note: A “poof” sound is normal as the last of the LP gas is burned.
3. Disconnect LP gas tank per “Disconnecting LP Gas Tank” section.

CLEANING AND CARE

⚠ CAUTION:

1. All cleaning and maintenance should be done when outdoor fireplace is cool and with the fuel supply disconnected.
2. Do not clean any outdoor fireplace part in a self-cleaning oven, the extreme heat will damage the finish.
3. Do not enlarge valve orifices or burner ports when cleaning the valves or burners.

Notices

1. This outdoor fireplace should be thoroughly cleaned and inspected on a regular basis.
2. Abrasive cleaners will damage this product.
3. NEVER use oven cleaner to clean any part of this outdoor fireplace.

Before Each Use:

1. Keep the outdoor fireplace area clear and free from any combustible materials, gasoline and other flammable vapors and liquids.
2. Do not obstruct the flow of the combustion of LP gas and the ventilation of air.
3. Keep the ventilation opening(s) of the LP gas tank area free and clear from debris.
4. Visually check the burner flames to make sure your outdoor fireplace is working properly (Figure 7).
5. See below for proper cleaning instructions.
6. Check all gas connections for leaks.
7. Check components for any signs of damage or rust.
8. Check for obstructions of airflow to the burner. Spiders, insects and webs can clog the burner/venturi tube. A clogged burner/venturi tube can lead to a fire.
9. If damage to any component is detected, do NOT operate until repairs are completed.

Cleaning Surfaces

1. Wipe surfaces clean with mild dishwashing detergent or baking soda mixed with water.
2. For stubborn stains, use a citrus-based cleaner and a nylon scrubbing brush.
3. Rinse clean with water.
4. Allow to air dry.

Before Storing

1. Turn LP gas tank valve to “CLOSED”.
2. Turn control knob to the “🔥 OFF” position. Note: A “poof” sound is normal as the last of the gas is burned.
3. Disconnect LP gas tank per “Disconnecting LP Gas Tank” section.
4. Clean all surfaces.
5. Lightly coat the burner with cooking oil to prevent excess rusting.
6. If storing the outdoor fireplace indoors, cover and store in a cool dry location away from children and pets.
7. If storing the outdoor fireplace outdoors, cover with the included cover for protection from the weather.

CARE AND MAINTENANCE

1. Cleaning your fireplace on a consistent and regular basis will help aid in a longer lasting top.
2. Cover your fireplace with the included cover when not in use to protect it from the elements.
3. We recommend that your fireplace be stored indoors during the winter months.
4. If it must be stored outside, it should ALWAYS be covered.

TROUBLESHOOTING

Troubleshooting

Problem	Possible Cause	Prevention/Cure
Burner will not light using igniter.	LP gas tank valve is closed.	Make sure regulator is securely attached to the LP gas tank per "Installing LP Gas Tank," then turn LP gas tank valve to "OPEN".
	LP gas tank is low or empty.	Exchange, refill or replace LP gas tank.
	LP gas leak.	1. Turn LP gas tank valve to "CLOSED". 2. Wait 5 minutes for gas to clear. 3. Follow "Checking for Leaks" section.
	Battery needs to be changed.	Replace the "AAA" battery (follow assembly step for inserting battery).
	Electrode and burners are wet.	Wipe dry with cloth.
	Electrode cracked or broken - sparks at crack.	Replacement part(s) may be needed - contact Customer Care at 1-866-439-9800.
	Wire loose or disconnected.	Reconnect wire or replacement part(s) may be needed - contact Customer Care at 1-866-439-9800.
	Wire is shorting (sparking) between igniter and electrode. Bad igniter.	Replacement part(s) may be needed - contact Customer Care at 1-866-439-9800.
Burner will not light with match.	No gas flow.	Check if LP gas tank is empty. a. If empty, exchange, refill or replace LP gas tank. b. If LP gas tank is not empty, refer to "Sudden drop in gas flow or reduced flame height" (see below).
	LP gas tank is low or empty.	Exchange, refill or replace LP gas tank.
	LP gas leak.	1. Turn LP gas tank valve to "CLOSED". 2. Wait 5 minutes for gas to clear. 3. Follow "Checking for Leaks" section.
	Coupling nut and regulator not fully connected.	Turn the coupling nut about one-half to three-quarters additional turn until solid stop. Tighten by hand only - do NOT use tools.
	Obstruction of gas flow.	1. Clear burner/venturi tube. 2. Check for bent or kinked hose.
	Disengagement of burner to valve.	Re-engage burner and valve.
	Spider webs or insect nest in burner/venturi tube.	Clean burner/venturi tube.
	Burner ports clogged or blocked.	Clean burner ports.
Sudden drop in gas flow or reduced flame height.	Out of gas.	Exchange, refill or replace LP gas tank.
	Overfilling prevention device may have been activated.	1. Turn control knob to "OFF". 2. Wait 30 seconds and light outdoor fireplace per "Lighting" section. 3. If flames are still too low, reset the overfilling prevention device: a. Turn control knob(s) "OFF". b. Turn LP gas tank valve to "CLOSED". c. Disconnect regulator. d. Turn control knobs to "ON". e. Wait one minute. f. Turn control knobs to "OFF". g. Reconnect regulator and leak check connections, being careful not to fully open valve. h. Light outdoor fireplace per "Lighting" section.
Irregular flame pattern flame does not run the full length of burner.	Burner ports are clogged or blocked.	Clean burner ports.
Flame is yellow or orange.	New burner may have residual manufacturing oils.	Burn outdoor fireplace for 15 minutes and re-inspect.
	Spider webs or insect nest in burner/venturi tube.	Clean burner/venturi tube.
	Poor alignment of valve to burner/venturi tube.	Ensure burner/venturi tube is properly engaged with valve.
Flame goes out.	High or gusting winds.	Do not use outdoor fireplace in high winds.
	Low on LP gas.	Exchange, refill or replace LP gas tank.
	Excess flow valve tripped..	Refer to "Sudden drop in gas flow or reduced flame height".
Flashback (fire in venturi/burner tube(s))	Burner and/or burner/venturi tube is blocked.	Clean burner and/or burner/venturi tube.
Flame seems to lose heat when burning in cold weather - temperature below 50°F.	Ice has built up on the outside of the LP gas tank because the vaporization process is too slow.	1. Turn off per "Turning Off" section. 2. Replace with a spare LP gas tank. 3. Reconnect LP gas tank per "Installing LP Gas Tank" section. 4. Follow "Checking for Leaks" section. 5. Light outdoor fireplace per "Lighting" section.

If you have any questions or problems, please call our customer service department at 1-866-439-9800, 8 a.m. - 8 p.m., EST, Monday - Sunday.
You could also contact us at partsplus@lowes.com or visit www.lowespartsplus.com.

ONE-YEAR LIMITED WARRANTY

We warrant to the original end user purchaser that all aspects of this product will be free of defects in material and workmanship for one (1) year from the date of purchase. If within the stated warranty period a product is found to be defective in material or workmanship, the purchaser must contact the manufacturer's customer service department at 1-866-439-9800. The manufacturer, at its option will repair or replace the defective parts. Replacements for any defective part will be supplied free of charge for installation by the consumer. This warranty shall be effective from the date of purchase as shown in the purchaser's receipt. This warranty is valid for the original end user purchaser only and excludes coverage for industrial, commercial or business use of the product, product damage due to shipment or failure which results from alteration, product abuse or product misuse. We will not be responsible for labor charges and/or damage incurred in installation, repair or replacement, or for any special incidental or consequential damages, including, but not limited to, loss of use, loss of revenue, loss of actual or anticipated profits. This warranty does not apply: (a) to consumable parts, such as batteries or protective coatings that are designed to diminish over unless failure has occurred due to a defect in materials or workmanship; (b) to cosmetic damage, including but not limited to scratches and broken materials unless failure has occurred due to a defect in materials or workmanship; (c) to damage caused by us a third party component or product that does not meet the manufacturer's product specifications; (d) to damage caused by accident, abuse, or misuse; (e) to damage caused by operating the product contrary to the published user manual(s); or (f) to a product that has been modified to alter functionality or capability.

This warranty gives you specific legal rights, and you may also have the other rights that vary from state to state. As some states do not allow exclusions or limitations on an implied warranty, the above exclusions and limitations may not apply.

PRODUCT REGISTRATION

For faster warranty service, please register your product immediately. Please call 1-866-439-9800, 8 a.m. - 8 p.m., EST. Monday- Sunday. You could also contact us at partsplus@lowes.com or visit www.lowespartsplus.com.

REPLACEMENT PARTS

For replacement parts, call our customer service department at 1-866-439-9800, 8 a.m. - 8 p.m., EST. Monday- Sunday. You could also contact us at partsplus@lowes.com or visit www.lowespartsplus.com.

PART	DESCRIPTION	PART#	PART	DESCRIPTION	PART#
1	Top Lid	3836921-1/ 3836922-1	18	Burner Head	3836921-18/ 3836922-18
2	Top Cover	3836921-2/ 3836922-2	19	Pilot Housing	3836921-19/ 3836922-19
3	Top Frame	3836921-3/ 3836922-3	20	Manual Electric Igniter	3836921-20/ 3836922-20
4	Back Panel	3836921-4/ 3836922-4	21	Control Knob	3836921-21/ 3836922-21
5	Left Panel	3836921-5/ 3836922-5	22	Regulator/Hose Assembly	3836921-22/ 3836922-22
6	Right Panel	3836921-6/ 3836922-6	23	AAA Battery	3836921-23/ 3836922-23
7	Base	3836921-7/ 3836922-7	24	Pumice Stone	3836921-24/ 3836922-24
8	Polyester Cover	3836921-8/ 3836922-8	25	Log 1	3836921-25/ 3836922-25
9	Left Clapboard	3836921-9/ 3836922-9	26	Log 2	3836921-26/ 3836922-26
10	Right Clapboard	3836921-10/ 3836922-10	27	Log 3	3836921-27/ 3836922-27
11	Back Clapboard	3836921-11/ 3836922-11	28	Log 4	3836921-28/ 3836922-28
12	Top Clapboard	3836921-12/ 3836922-12	29	Log 5	3836921-29/ 3836922-29
13	Gas Tank Barrier	3836921-13/ 3836922-13	AA	M6x15 Combination Bolt	3836921-AA/ 3836922-AA
14	Left Front Baffle Plate	3836921-14/ 3836922-14	BB	Pin	3836921-BB/ 3836922-BB
15	Right Front Baffle plate	3836921-15/ 3836922-15	CC	Allen Wrench	3836921-CC/ 3836922-CC
16	Decorative Plate	3836921-16/ 3836922-16			
17	Rectangular Bowl	3836921-17/ 3836922-17			

