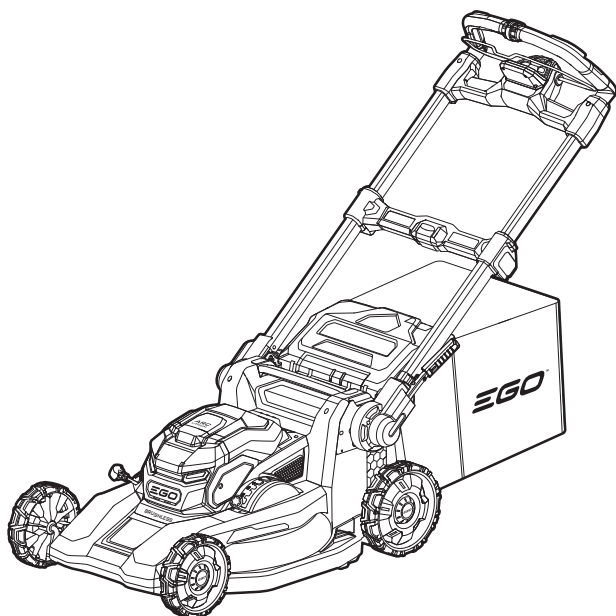


# EGO™

POWER<sup>+</sup> MOWER



OPERATOR'S MANUAL

**56-VOLT LITHIUM-ION**

**CORDLESS 22"**

**LAWN MOWER**

Français p. 59

Español p. 121

MODEL NUMBER LM2236SP/LM2230SP/LM2230SP-FC

**⚠ WARNING:** To reduce the risk of injury, the user must read and understand the Operator's Manual before using this product. Save these instructions for future reference.

## READ ALL INSTRUCTIONS!



READ & UNDERSTAND  
OPERATOR'S MANUAL

## TABLE OF CONTENTS

Safety Symbols .....	3
Symbols .....	4-5
Lawnmower Safety Warnings .....	6-10
Additional Rules for Lawnmower .....	10-12
Introduction .....	12
Specifications .....	13-14
Recommended Accessories .....	14
Description .....	15-19
Assembly .....	20-30
Operation .....	31-40
Maintenance .....	41-51
Troubleshooting .....	52-55
EGO Limited Warranty .....	56-57

# SAFETY SYMBOLS

The purpose of safety symbols is to attract your attention to possible dangers. The safety symbols and the explanations with them deserve your careful attention and understanding. The symbol warnings do not, by themselves, eliminate any danger. The instructions and warnings they give are no substitutes for proper accident prevention measures.

**⚠ WARNING:** Be sure to read and understand all safety instructions in this Operator’s Manual, including all safety alert symbols such as “**DANGER**”, “**WARNING**”, and “**CAUTION**” before using this machine. Failure to follow all instructions listed below may result in electric shock, fire, and/or serious personal injury.

The definitions below describe the level of severity for each signal word. Please read the manual and pay attention to these symbols.

	<p>This is the safety alert symbol. It is used to alert you to potential personal injury hazards. Obey all safety messages that follow this symbol to avoid possible injury or death.</p>
	<p>DANGER indicates a hazardous situation which, if not avoided, will result in death or serious injury.</p>
	<p>WARNING indicates a hazardous situation which, if not avoided, could result in death or serious injury.</p>
	<p>CAUTION, used with the safety alert symbol, indicates a hazardous situation which, if not avoided, will result in minor or moderate injury.</p>

## DAMAGE PREVENTION AND INFORMATION MESSAGES



These inform the user of important information and/or instructions that could lead to equipment or other property damage if they are not followed. Each message is preceded by the word “**NOTICE**”, as in the example below:

**NOTICE:** Equipment and/or property damage may result if these instructions are not followed.

# SYMBOLS

This page depicts and describes safety symbols that may appear on this product. Read, understand, and follow all instructions on the machine before attempting to assemble and operate.

	Safety Alert	Indicates a potential personal injury hazard.
	Wear Ear Protection	Always wear sound barriers (ear plugs or ear mufflers) to protect your hearing.
	Read & Understand Operator's Manual	To reduce the risk of injury, user must read and understand operator's manual before using this product.
	WARNING – Keep Hands and Feet Away From the Blades	Alerts users to keep hands and feet away from the blades.
	WARNING – Disconnect Battery Before Maintenance	Alerts users to disconnect battery before maintenance.
	DANGER — Keep Hands and Feet Away	Alerts users to keep hands and feet away.
	WARNING –Beware of Thrown Objects – Keep Bystanders Away	Alerts users to beware of thrown objects – keep bystanders away.
	DANGER — Steep Slope Hazard	Use extra caution on slopes. Do not mow slopes greater than 15 degrees.

	Recycle Symbol	This product uses lithium-ion (Li-ion) batteries. Local, state, or federal laws may prohibit disposal of batteries in ordinary trash. Consult your local waste authority for information regarding available recycling and/or disposal options.
IP...	Ingress Protection (IP) Rating	Classifies the degree of protection provided by an enclosure, for electrical equipment
V	Volt	Voltage
	Direct Current (DC)	Type or a characteristic of current
mm	Millimeter	Length or size
in.	Inch	Length or size
kg	Kilogram	Weight
lb	Pound	Weight
L	Liter	Volume
bu	Bushel	Volume
min	Minutes	Time
n <sub>0</sub>	No Load Speed	Rotational speed, at no load
RPM	Revolutions Per Minute	Rotational speed
°C	Degrees Celsius	Temperature
°F	Degrees Fahrenheit	Temperature

**⚠ WARNING:** To ensure safety and reliability, all repairs should be performed by a qualified service technician.



# LAWNMOWER SAFETY WARNINGS

**⚠ WARNING:** Read all safety warnings, instructions, illustrations and specifications provided with this lawnmower. Failure to follow all instructions listed below may result in electric shock, fire and/or serious injury.

**Save all warnings and instructions for future reference.**

## WORK AREA SAFETY

- **To avoid bystander contact with the moving blade or a thrown object injury, keep the area of operation clear of all bystanders, particularly small children. Stop the lawnmower and any attachment(s) if anyone enters the area.** Contact with the moving blade or thrown objects may result in serious personal injury or death.
- **Only operate the lawnmower in daylight or good artificial light.** Dark areas invite accidents.
- **Do not operate lawnmowers in explosive atmospheres, such as in the presence of flammable liquids, gases or dust.** Lawnmowers create sparks which may ignite the dust or fumes.
- **Do not use the lawnmower in bad weather conditions, especially when there is a risk of lightning.** This decreases the risk of being struck by lightning.
- **Thoroughly inspect the area where the lawnmower is to be used and remove all stones, sticks, wires, bones, and other foreign objects.** Thrown objects can cause personal injury.

## ELECTRICAL SAFETY

- **Do not operate the lawnmower in rain or wet conditions.** Water entering a lawnmower may increase the risk of electric shock.

## PERSONAL SAFETY

- **Use personal protective equipment. Always wear eye protection.** Protective equipment will reduce personal injuries.
- **Dress properly. Do not wear loose clothing or jewelry. Keep your hair and clothing away from moving parts.** Loose clothes, jewelry or long hair can be caught in moving parts.

- **While operating the lawnmower, always wear long trousers.** Exposed skin increases the likelihood of injury from thrown objects.
- **While operating the lawnmower, always wear non-slip and protective footwear. Do not operate the lawnmower when barefoot or wearing open sandals.** This reduces the chance of injury to the feet from contact with the moving blade.
- **Prevent unintentional starting. Ensure the switch is in the off-position before connecting to power source and/or batteries, picking up or carrying the lawnmower.** Carrying a lawnmower with your finger on the switch or energizing a lawnmower that has the switch on invites accidents.
- **Remove any adjusting key or wrench before turning the lawnmower on.** A wrench or a key left attached to a rotating part of the lawnmower may result in personal injury.
- **Keep proper footing and balance at all times.** This enables better control of the lawnmower in unexpected situations.
- **Stay alert, watch what you are doing and use common sense when operating a lawnmower. Do not use a lawnmower while you are tired or under the influence of drugs, alcohol or medication.** A moment of inattention while operating a lawnmower may result in serious personal injury.
- **Do not let familiarity gained from frequent use of lawnmower allow you to become complacent and ignore lawnmower safety principles.** A careless action can cause severe injury within a fraction of a second.
- **To avoid operator blade contact or a thrown object injury, stay in the operator zone behind the lawnmower handles.** Blade contact or thrown objects may result in serious personal injury.
- **Do not touch blades and other hazardous moving parts while they are still in motion.** This reduces the risk of injury from moving parts.

## LAWNMOWER USE AND CARE

- **Use the lawnmower and accessories in accordance with these instructions, taking into account the working conditions and the work to be performed.** Use of the lawnmower for operations different from those intended may result in a hazardous situation.
- **Before using the lawnmower, always visually inspect to see that the blade(s) and the blade(s) assembly are properly secured and not worn or damaged.** Loose, worn, or damaged parts may increase the risk of injury.

- **Keep guards and other safety devices in place, properly mounted, and in working order.** A guard or other safety device that is loose, damaged, or is not functioning correctly may result in personal injury.
- **Keep all cooling air inlets clear of debris.** Blocked air inlets and debris may result in overheating or risk of fire.
- **Do not use the lawnmower if the switch does not turn it on and off.** Any lawnmower that cannot be controlled with the switch is dangerous and must be repaired.
- **Do not operate the lawnmower in wet grass. Walk, never run.** This reduces the risk of slipping and falling which may result in personal injury.
- **Do not operate the lawnmower on excessively steep slopes.** This reduces the risk of loss of control, slipping and falling which may result in personal injury.
- **Do not force the lawnmower. Use the correct lawnmower for your application.** The correct lawnmower will do the job better and safer at the rate for which it was designed.
- **Be aware of the mower and attachment discharge direction and do not point the mower discharge at anyone.** Thrown objects can cause personal injury.
- **Use extreme caution when reversing or pulling the lawnmower towards you. Always be aware of your surroundings.** This reduces the risk of tripping during operation.
- **When working on slopes, always be sure of your footing, always work across the face of slopes, never up or down and exercise extreme caution when changing direction.** This reduces the risk of loss of control, slipping and falling which may result in personal injury.
- **Operate the disabling device and/or remove all battery packs, if removable, from the lawnmower before making any adjustments, changing accessories, or storing the lawnmower.** Such preventive safety measures reduce the risk of starting the lawnmower accidentally.
- **Keep handles and grasping surfaces dry, clean and free from oil and grease.** Slippery handles and grasping surfaces do not allow for safe handling and control of the lawnmower in unexpected situations.
- **Check the grass catcher frequently for wear or deterioration.** A worn or damaged grass catcher may increase the risk of personal injury.
- **Before removing the grass catcher, turn off the motor and wait until the blade(s) comes to a complete stop. The cutting blade(s) continues to rotate after the blade control is released. Never place any part of the body in the blade(s) area until you are certain the motor is off and the blade(s) has**

**stopped rotating.** Contact with the moving cutting blade(s) may result in serious personal injury.

- **Before unclogging the chute, turn off the motor, wait until the blade(s) comes to a complete stop, operate the disabling device and/or remove all batteries, if removable.** The cutting blade(s) continues to rotate after the blade control is released. Never place any part of the body in the blade(s) area until you are certain the motor is off and the blade(s) has stopped rotating. Contact with the moving cutting blade(s) may result in serious personal injury.
- **Before cleaning or inspecting the lawnmower, turn off the motor, wait until the blade(s) comes to a complete stop, operate the disabling device and/or remove all batteries, if removable.** Accidental contact with the moving blade and moving parts may result in personal injury.
- **Maintain the lawnmower and accessories. Check for misalignment or binding of moving parts, breakage of parts and any other condition that may affect the lawnmower's operation. If damaged, have the lawnmower repaired before use.** Many accidents are caused by poorly maintained lawnmowers.
- **Store idle lawnmowers out of the reach of children and do not allow persons unfamiliar with the lawnmower or these instructions to operate the lawnmower.** Lawnmowers are dangerous in the hands of untrained users.

## BATTERY LAWNMOWER USE AND CARE

- **Use lawnmowers only with specifically designated battery packs.** Use of any other battery packs may create a risk of injury and fire.
- **Recharge only with the charger specified by the manufacturer.** A charger that is suitable for one type of battery pack(s) may create a risk of fire when used with another battery pack(s).
- **Follow all charging instructions and do not charge the battery pack(s) or lawnmower outside the temperature range specified in the instructions.** Charging improperly or at temperatures outside the specified range may damage the battery and increase the risk of fire.
- **Do not use a battery pack or lawnmower that is damaged or modified.** Damaged or modified batteries may exhibit unpredictable behavior resulting in fire, explosion or risk of injury.
- **Do not expose a battery pack(s) or lawnmower to fire or excessive temperature.** Exposure to fire or temperature above 265 °F (130 °C) may cause explosion.

- **Under abusive conditions, liquid may be ejected from the battery(ies); avoid contact. If contact accidentally occurs, flush with water.** If liquid contacts eyes, additionally seek medical help. Liquid ejected from the battery(ies) may cause irritation or burns.
- **When battery packs are not in use, keep them away from other metal objects, like paper clips, coins, keys, nails, screws or other small metal objects that can make a connection from one terminal to another.** Shorting the battery terminals together may cause burns or a fire.

## SERVICE

- **Have your lawnmower serviced by a qualified repair person using only identical replacement parts. This will ensure that the safety of the lawnmower is maintained.** Use of parts which do not meet the original equipment specifications may lead to improper performance and compromise safety.
- **Never service damaged battery packs.** Service of battery packs should only be performed by the manufacturer or authorized service providers.

## ADDITIONAL RULES FOR LAWNMOWER

- The user is responsible for accidents or hazards occurring to other people or their property.
- Be familiar with the controls and the proper use of the machine.
- Before using, always visually inspect to see that the blade and blade bolt are not worn or damaged. Replace worn or damaged blade and bolt in sets to preserve balance.
- Keep all nuts, bolts and screws tight to be sure the product is in safe working condition.
- Check the functioning of the machine before each use and, in case of a defect, have it repaired immediately by a qualified person; never open the machine yourself.
- Never operate the machine with a defective rear guard or defective grass catcher.
- When operating the machine without grass catcher, ensure that the rear guard is in closed position (risk of injury caused by rotating cutting blade).

- Always switch off the machine, remove battery pack(s), and ensure that all moving parts have come to a complete standstill.
  - whenever leaving the machine unattended
  - before clearing jammed material
  - before checking, cleaning or working on the machine
  - after striking a foreign object, and to inspect the machine for damage and make repairs before restarting and operating the machine
  - if the machine starts to vibrate abnormally, immediately inspect for damage, replace or repair any damaged parts and to check for and tighten any loose parts.
- Always keep hands and feet away from rotating parts.
- Keep away from the discharge opening at all times.
- Switch on the motor according to instructions and with feet well away from the cutting blade.
- Never mow in the direct vicinity of persons (especially children) and animals.
- Stop the cutting blade if the product has to be tilted for transportation when crossing surfaces other than grass, and when transporting the product to and from the area to be used.
- Do not tilt the product when switching on the motor, except if the product has to be tilted for starting. In this case, do not tilt it more than absolutely necessary and lift only the part, which is away from the operator.
- Be careful during adjustment of the product to prevent entrapment of the fingers between moving blade and fixed parts of the product.
- Always allow the machine to cool down before storing.
- When servicing the blade be aware that, even though the power source is switched off, the blade can still be moved.
- Check for blockage of the cutting blade to prevent blockage, keep the cutting blade and mower deck clean. Remove grass clippings, leaves, dirt and any other accumulated debris before and after each use.
- When blockage happens, stop the mower and remove the battery pack(s), then remove any buildup of grass and leaves on or around the drive shaft and motor fan (do not use water). Wipe the mower clean with a damp cloth.
- Empty the grass bag before storage.

- Never use the machine when handle cord is damaged, have it replaced by a qualified person.
- Cleaning and maintenance before storage.
- Use lawnmowers only with specifically designated battery packs. Use of any other battery packs may create a risk of injury and fire.

BATTERY PACK	CHARGER
BA1400, BA1400-FC, BA2800, BA2800-FC, BA4200, BA4200-FC, BA1400T, BA1400T-FC, BA2242T, BA2242T-FC, BA2800T, BA2800T-FC, BA3360T, BA3360T-FC, BA4200T, BA4200T-FC, BA4480T, BA4480T-FC, BA5600T, BA5600T-FC, BA6720T, BA6720T-FC	CH2100, CH2100-FC, CH3200, CH3200-FC CH5500, CH5500-FC, CH2800D, CH2800D-FC CH7000, CH7000-FC CH7000T, CH7000T-FC

## INTRODUCTION

Congratulations on your selection of a new generation of 56V Lithium-ion powered lawn mower. It has been designed, engineered and manufactured to give you the best possible dependability and performance.

Should you experience any problem you cannot easily remedy, **please contact EGO Customer Service 1-855-EGO-5656.**

This manual contains important information on the safe assembly, operation and maintenance of your mower. Read it carefully before using the mower. Keep this manual handy so you can refer to it at any time.

SERIAL NUMBER \_\_\_\_\_ DATE OF PURCHASE \_\_\_\_\_

THE MODEL AND SERIAL NUMBERS WILL BE FOUND ON A LABEL ATTACHED ON THE REAR DISCHARGE DOOR.

YOU SHOULD RECORD BOTH SERIAL NUMBER AND DATE OF PURCHASE AND KEEP IN A SAFE PLACE FOR FUTURE REFERENCE

# SPECIFICATIONS

Voltage	56 V
Blade Speed Mode	TURBO
	2
	1
Approximate Cutting-height Setting	
1	1 in (25 mm)
2	1-3/8 in (33 mm)
3	1-3/4 in (43 mm)
4	2 in (54 mm)
5	2-1/2 in (66 mm)
6	3 in (79 mm)
7	3-1/2 in (92 mm)
8	4 in (105 mm)
Deck Size	22 in (559 mm)
Grass Bag Volume	2.5 bu (85 L)
Ingress Protection Rating	IPX4* (Protected from splashing water)
Mower Weight (Without battery pack)	67.3 lbs. (30.6 kg)
Approximate Runtime with EGO 56V 10 Ah Battery	75 min. (Mode 1)
Recommended Operating Temperature	32 °F – 104 °F (0 °C – 40 °C)
Recommended Storage Temperature	-4 °F – 158 °F (-20 °C – 70 °C)

\* **NOTE:** IPX4 rating is based on the machine and battery being used together as a system.

**NOTICE:** Please refer to the battery pack and charger manuals for detailed safety and operating instructions.

**NOTE:** The actual runtime will vary with grass condition: species, density, moisture, etc.

## Tips on Maximizing the Runtime

To get more out of your EGO mower, please follow these rules:

- Cut no more than 1.5 inch (38 mm) of grass in one pass.
- Move the mower at a moderate pace.
- Do not cut wet grass.
- Make sure the blades are sharp.
- Make sure that the underside of the deck is clean.

## RECOMMENDED ACCESSORIES

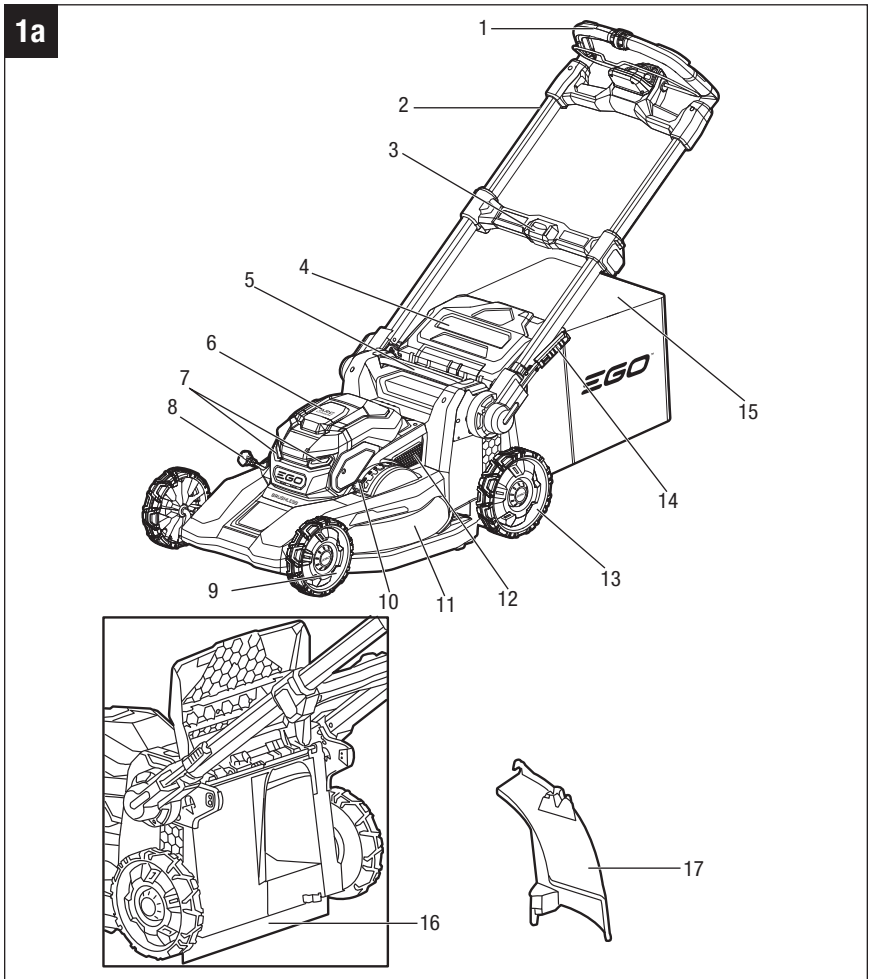
**⚠ WARNING:** The following parts are subject to be worn out from normal use. Use only identical EGO replacement parts listed below. Use of parts that do not meet the original equipment specifications may lead to improper performance and compromised safety.

PART NAME	MODEL NUMBER
EGO High Performance Blade Set	AB2211D
EGO High-lift Bagging Blade Set	AB2212D

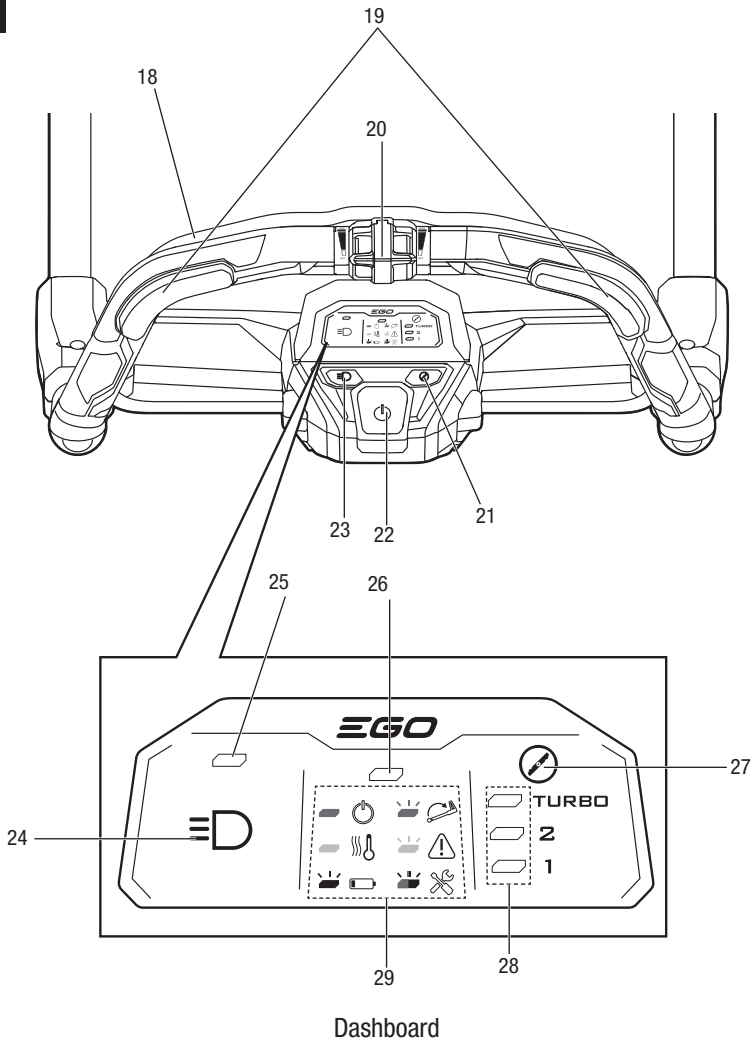
# DESCRIPTION

## KNOW YOUR LAWN MOWER (Fig. 1a & 1b)

The safe use of this product requires an understanding of the information on the machine and in this operator's manual, as well as knowledge of the project you are attempting. Before using this product, familiarize yourself with all operating features and safety rules.



1b



1. Handle
2. Side Rail
3. Handle-locking Clamp
4. Rear-discharge Door
5. Lift Handle
6. Battery Compartment Cover
7. LED Headlights
8. Clip Selector Knob
9. Front Wheel
10. Cutting-height Adjustment Knob
11. Deck
12. Air Intake
13. Rear Wheel
14. Quick-adjust Lever
15. Grass Bag
16. Trailing Shield
17. Side Discharge Chute
18. Bail Switch (Switch Lever)
19. Self-propel Trigger
20. Self-propel Speed Dial
21. Blade Speed Mode Button
22. Power Button
23. LED Headlights Button
24. LED Headlights Icon
25. LED Headlights Indicator
26. Mower Status Indicator
27. Blade Icon
28. Blade Speed Mode Indicator
29. Mower Status Icon

## **POWER BUTTON**

- When pressed briefly, the mower status indicator and default blade speed indicator (2) will light up.
- The power button must be pressed before the motor can be started.

## **BAIL SWITCH**

The bail switch turns the blade motor ON and OFF.

## **SELF-PROPEL TRIGGER**

Turns the self-propel function ON and OFF.

## **SELF-PROPEL SPEED DIAL**

Increases or decreases the self-propel speed.

## **BLADE SPEED MODE BUTTON**

Allows the user to select the blade speed mode, depending on grass conditions.

## **TRAILING SHIELD & REAR DISCHARGE DOOR**

The trailing shield is designed to minimize the possibility of stones or other objects being thrown backward by the mower blade. The shield and the rear discharge door minimize the possibility of accidental foot contact with the blade. DO NOT operate the mower without the trailing shield and rear discharge door in place.

## **SIDE-DISCHARGE CHUTE**

Guides clippings towards the left of the mower.

## **HANDLE-LOCKING CLAMP**

Locks/unlocks the side rails in the extended or the recessed position.

## **SIDE RAILS**

Can be extended and locked for operation or recessed for storage.

## **CLIP SELECTOR KNOB**

Controls bagging, mulching, and side discharging and features five adjustment positions.

## **QUICK-ADJUST LEVER**

Locks/unlocks the handle position when adjusting the angle of the mower handle:

1. Locked Storage Position
2. Grass Bag Attachment/Removal Position
3. Upper Operating Position
4. Middle Operating Position
5. Lower Operating Position

## **LED HEADLIGHTS**

The LED headlights are located on the front of the mower and provide illumination for increased visibility.

## **CUTTING-HEIGHT ADJUSTMENT KNOB**

Allows you to adjust the cutting height of the mower.

## ASSEMBLY

**⚠ WARNING:** To prevent accidental starting that could cause serious personal injury, always remove the battery pack from the machine when assembling parts.

**⚠ WARNING:** Do not attempt to modify this machine or create accessories not recommended for use with this mower. Any such alteration or modification is misuse and could result in a hazardous condition leading to serious injury.

## UNPACKING

First remove all the accessories from the carton, then grasp the front of mower and the lift handle at the same time to carefully lift the mower up and out of the carton.

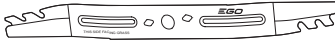
- Make sure that all items listed in the "**PACKING LIST**" are included.
- Inspect the product carefully to make sure that no breakage or damage occurred during shipping.
- Do not discard the packing material until you have carefully inspected and satisfactorily operated the mower.
- If any parts are damaged or missing, please return the mower to the place of purchase.

## PACKING LIST

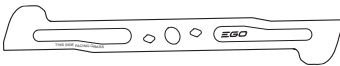
PART NAME	QUANTITY
Lawn Mower	1
Grass Bag	1
Grass-bag Frame	1
EGO High Performance Blade Set (factory-installed in the mower)	1
High-lift Bagging Lower Blade	1
Side-discharge Chute	1
Operator's Manual	1

## SELECT CUT™ CUTTING SYSTEM

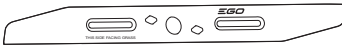
The **Select Cut™ System** lets you use one of the two interchangeable lower blades: the High Performance Lower Blade, and the High-lift Bagging Lower Blade.



The **High Performance Lower Blade** is designed specifically for the mower to optimize its high torque and fast blade speeds, delivering mulching and exceptional cutting performance.



The **High-lift Bagging Lower Blade** is specifically designed to provide extra suction ideal for bagging, leaving your yard free of clippings.



The **EGO Upper Blade** is used in combination with the lower blade chosen to slice the grass into fine fragments and greatly enhances cutting performance.

**⚠ WARNING:** Both Upper and Lower blade must be installed. The mower will not operate with only one blade installed.

## ADJUSTING THE FOLDABLE HANDLE

**⚠ WARNING:** Do not attempt to start the mower until the handle has been locked at one of the three preset operating positions: UPPER OPERATING POSITION, MIDDLE OPERATING POSITION, and LOWER OPERATING POSITION.

1. LOCKED STORAGE POSITION (Fig. 2a)
2. GRASS BAG ATTACHMENT/REMOVAL POSITION

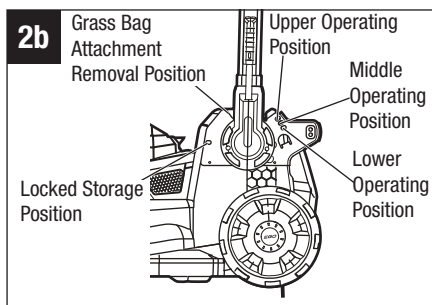
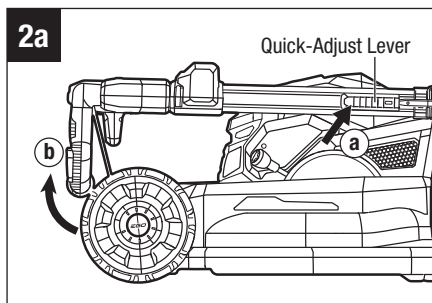
Press and hold the quick-adjust lever with one hand to release the handle from the locked storage position. Begin to lift the handle from its folded position with your other hand, and then release the lever (Fig. 2a). Gently pivot the handle upward until you hear and feel the lock pin engage in the first position (Fig. 2b). This position allows easy access to install and remove the grass bag.

3. UPPER OPERATING POSITION

Lift the handle with one hand. Gently pivot the handle backward until you hear and feel the lock pin engage in the Upper Operating Position. Fully extend the side rails and securely close the handle-locking clamp (Fig. 2c). Taller users may prefer this position.

4. MIDDLE OPERATING POSITION

Press and hold the quick-adjust lever with one hand to release the handle from the upper operating position. Begin to lower the handle with your other hand, and then release the lever. Gently pivot the handle downward until you hear and feel the lock pin engage in the Middle Operating Position. Fully extend the side rails and securely close the handle-locking clamps (Fig. 2c).

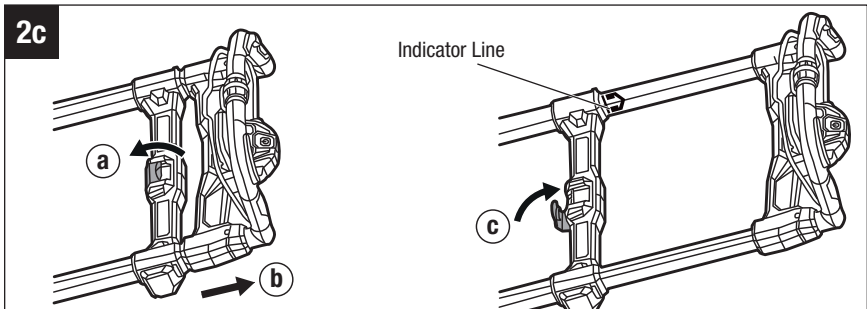


## 5. LOWER OPERATING POSITION

Press and hold the quick-adjust lever with one hand to release the handle from the middle operating position. Begin to lower the handle with your other hand, and then release the lever. Gently pivot the handle downward until you hear and feel the lock pin engage in the Lower Operating Position. Fully extend the side rails and securely close the handle-locking clamp (Fig. 2c).

**NOTE:** The motor cannot be started unless:

- 1) The side rails are fully extended.
- 2) The green handle-locking clamp is securely closed.
- 3) The handle is locked into one of the three operating positions.



## CLIP SELECTOR KNOB (Fig. 3)

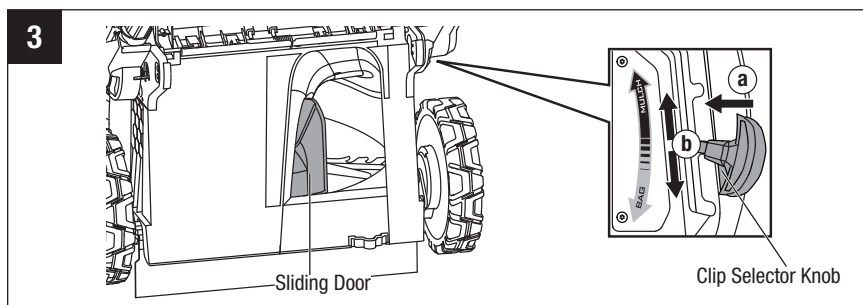
Place the clip selector knob in any one of the five positions to achieve the desired mowing results.

The knob can adjust a sliding door from the fully open (“BAG” position) to the fully closed (“MULCH” position).

By adjusting the clip selector knob, various mowing conditions can be met.

**To reposition the knob**, pull the knob out of the detent and set it to the desired position.

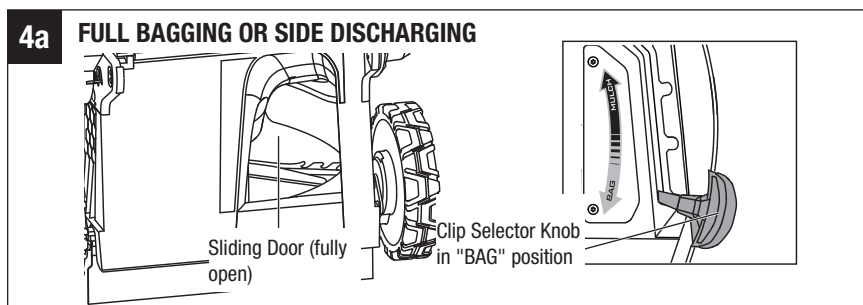
**NOTICE:** If a high resistance is noticed when moving the clip selection knob from side-to-side, excessive grass may have built up on top of the sliding door. Clear grass beneath the mower deck after each use.



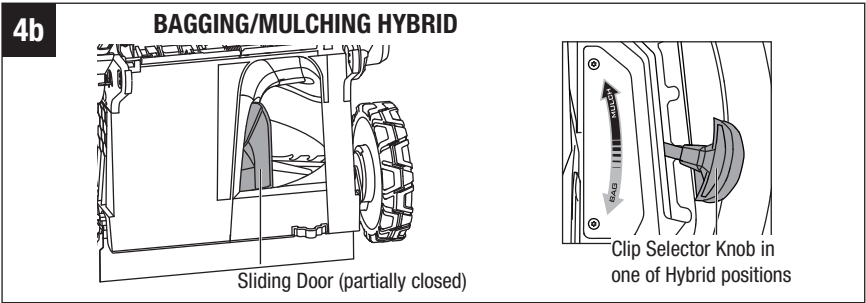
## SLIDING DOOR POSITION

The sliding door can be positioned to produce different mowing results. To learn the difference among positions, install a grass bag and begin mowing with the clip selector knob all the way to the “BAG” position. Check the appearance of the lawn. As the knob is moved towards the “MULCH” position, more grass will be recycled back into the lawn. Adjust the clip selector knob until the desired result is achieved. The bagging/mulching hybrid mode will result a clean and fine cut.

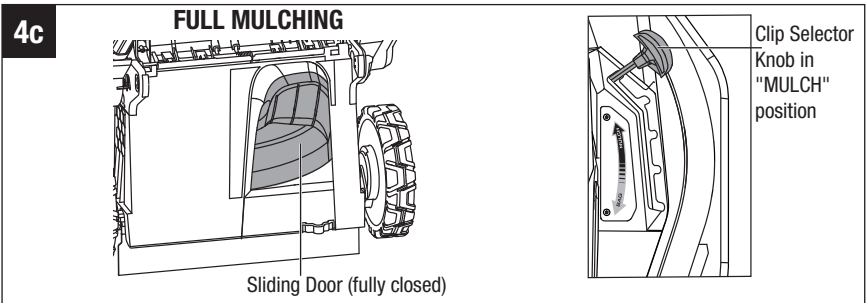
- **Clip selector knob in “BAG” position**, the sliding door is fully open, allowing all the grass clippings to enter into the bag (Fig. 4a).



- **Clip selector knob in bagging/mulching hybrid positions**, the sliding door is partially closed. Some clippings will go into the bag, and some will be finely mulched and directed onto the ground (Fig. 4b).



- **Clip selector knob in “MULCHING” position**, the sliding door is fully closed. All clippings will be finely mulched and directed to the ground (Fig. 4c).

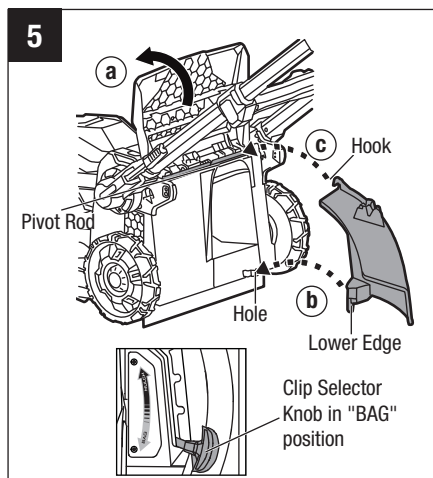


## SIDE DISCHARGING

### To attach/remove the side-discharge chute (Fig. 5)

**NOTICE:** Make sure that the underside of the deck is clean before using the side-discharge chute.

1. Switch off the mower and remove the battery pack.
2. Remove the grass bag and set the clip selector knob in the “BAG” position.
3. Lift the rear-discharge door.
4. Align the lower edge of the side-discharge chute with the hole of the doorsill and insert it into the hole.
5. Hook the top of the side-discharge chute on the pivot rod. Check to see that it is securely seated in the place.
6. Release the rear-discharge door and make sure that it rests firmly against the side-discharge chute.
7. **To remove the side-discharge chute**, lift the rear-discharge door, lift the side discharge chute up and pull it out.
8. Release the rear-discharge door.

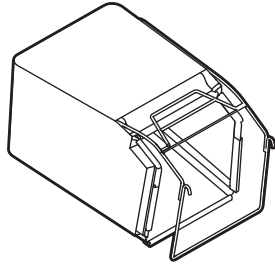


## FULL BAGGING

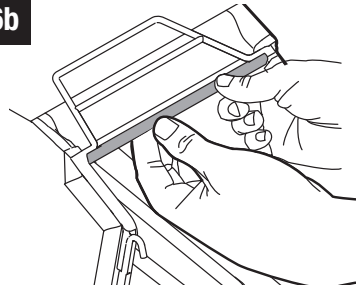
### To assemble the grass bag

1. Check the grass bag before assembling, to make sure that there is no damage.
2. Slide the grass bag onto the frame, as shown in Fig. 6a.
3. Assemble the top clip to the frame, as shown in Fig. 6b, then assemble the two side clips. Assemble the bottom clip last.
4. The completely assembled grass bag is shown in Fig. 6c.

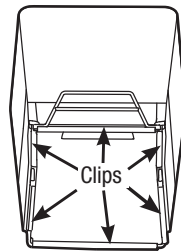
6a



6b



6c



## To attach/remove the grass bag (Fig. 7)

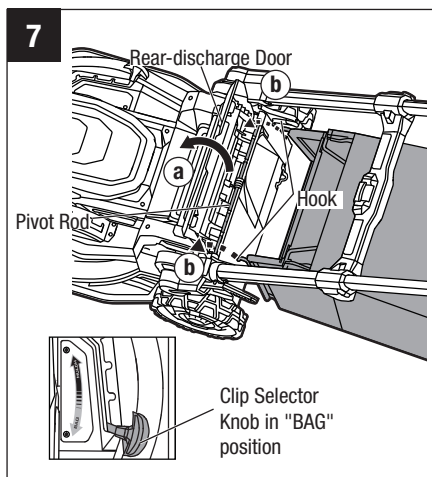
**⚠ WARNING:** Remove the side-discharge chute before attaching the grass bag to the mower.

**NOTICE:** Make sure that the underside of the deck is clean before using the grass bag.

1. Switch off the mower and remove the battery pack.
2. Set the clip selector knob in the "BAG" position.
3. Lift the rear-discharge door.
4. Hook the grass bag on the pivot rod. Release the rear-discharge door so that it rests on the grass bag.
5. **To remove the grass bag**, lift the rear-discharge door, then lift the grass bag up and off of the pivot rod.
6. Release the rear-discharge door.

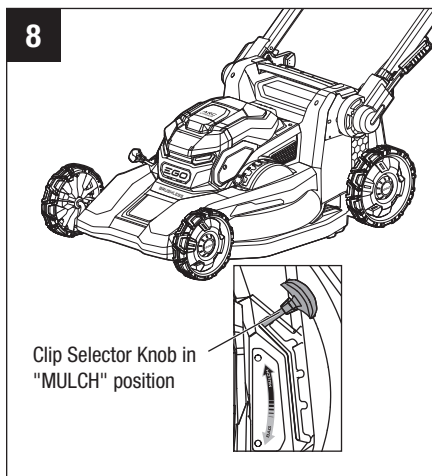
**⚠ WARNING:** When using the grass bag, never operate the mower unless the two hooks on the grass bag are firmly seated on the pivot rod and the rear-discharge door rests firmly against the top of the grass bag.

**⚠ WARNING:** Under normal usage, the grass bag material is subject to wear. To reduce the risk of injury, frequently inspect the grass bag and replace the bag if there are any signs of wear or deterioration. Use only grass bags manufactured for this mower.



## FULL MULCHING (Fig. 8)

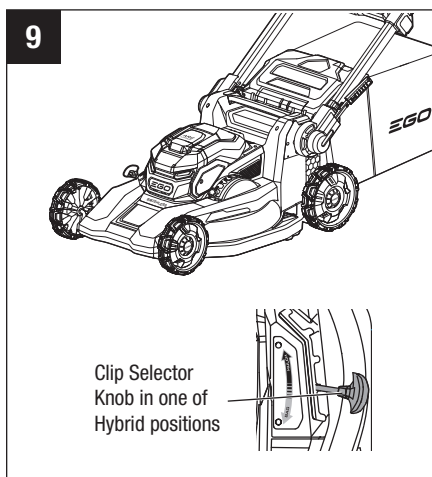
1. Switch off the mower and remove the battery pack.
2. Remove the grass bag.
3. Release the rear-discharge door.
4. Set the clip selector knob in the "MULCH" position.



## BAGGING/MULCHING HYBRID (Fig. 9)

1. Switch off the mower and remove the battery pack.
2. Attach the grass bag (see the section "To attach/remove the grass bag").
3. Set the clip selector knob in one of the three bagging/mulching hybrid positions.

**NOTE:** As the clip selector knob is moved towards the "MULCH" position, more grass will be recycled back into the lawn.

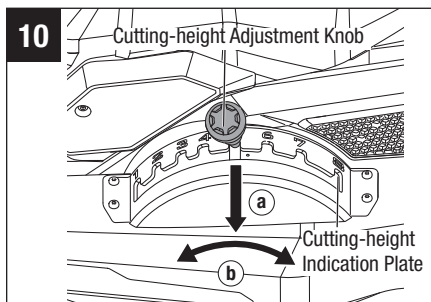


As the clip selector knob is moved toward the "BAG" position, more grass will be discharged through the rear discharge into the grass bag.

## CUTTING-HEIGHT ADJUSTMENT (Fig. 10)

**⚠ WARNING:** Keep your feet away from the deck when adjusting the cutting height.

The mower can be set to 8 cutting heights between 1 inch (25 mm) and 4 inches (105 mm). A marking indicates the selected cutting height.



Choose the proper cutting height according to the type and condition of the grass to be cut.

1. Switch off the mower and wait for the cutting blade to come to a complete stop.
2. Remove the battery pack.
3. Pull the cutting height adjustment knob out of the detent and set it to the desired position.

**NOTE:** To avoid overloading the motor, avoid setting the cutting height too low in tall grass. If the motor speed begins to slow, raise the cutting height.

## OPERATION

**⚠ WARNING:** Always remove the battery pack from the product when you are assembling parts, making adjustments, cleaning, or when not in use. Removing the battery pack will prevent accidental starting that could cause serious personal injury.

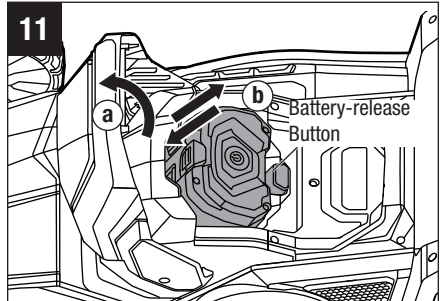
### ATTACHING/DETACHING THE BATTERY PACK (Fig. 11)

**NOTE:** Charge the battery pack before first use.

1. Raise the battery compartment cover by lifting the rear of the cover.
2. Align the grooves in the battery pack, with the raised ribs in the battery compartment, and then insert the battery pack into the compartment.
3. Push the battery pack until you hear a “click”. The battery-release button will spring up when the battery pack is securely attached.

**NOTICE:** Make sure that the latch in the battery compartment snaps into place and that the battery pack is secured to the mower before starting operation.

4. To detach the battery pack, depress the battery-release button to release the battery pack, and then lift it out of the compartment.
5. Close the battery compartment cover.



## SELECTING BLADE SPEED MODE (Fig. 12)

### Select Blade Speed Mode

The mower features three blade speed modes:

- **Mode TURBO** is high blade speed mode for high-lift performance to improve suction force or cutting performance.
- **Mode 2** is the best balance between performance and runtime.
- **Mode 1** provides the lowest noise level and longest runtime from your battery pack.

**NOTE:** Higher blade speed will significantly affect runtime.

Select among **mode TURBO, 2, or 1** by sequentially pressing the blade speed mode button.

**NOTE:** The default blade speed mode is **2**.

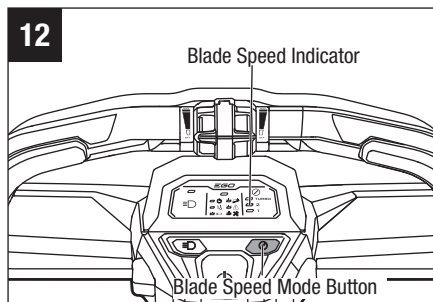
### STARTING/STOPPING THE MOWER

**⚠ WARNING:** The operation of any lawn mower can result in foreign objects being thrown into your or others' eyes, which can damage eyes severely. Always wear safety glasses while operating the mower or while performing any adjustments or repairs on the mower.

**⚠ WARNING:** Ensure that other people and pets remain at least 100 ft. (30 m) away from the mower when it is in use.

**NOTICE:** The blade will continue to rotate for a few seconds after the mower is turned off. Allow the motor/blade to stop rotating before starting it again. Do not rapidly turn the mower off and on.

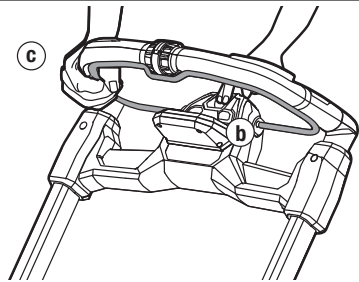
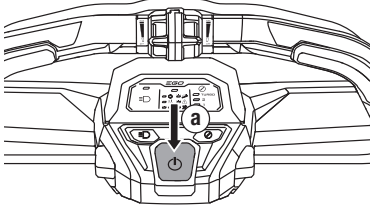
**⚠ CAUTION:** Do not attempt to override the operation of the power button and bail switch.



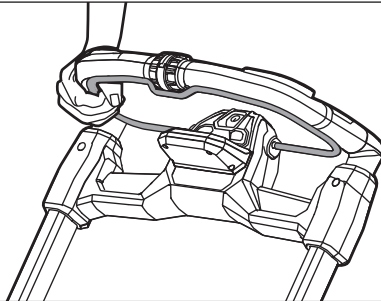
### To start the mower (Fig. 13a & 13b)

1. Attach the battery pack to the mower and close the battery compartment cover.
2. Press the power button to illuminate the dashboard, and the mower status indicator – the blade speed indicator for **mode 2** will light up.
3. Press the blade speed mode button to select the desired speed, refer to the section "**Selecting Blade Speed Mode**" in this manual.
4. Press and hold the power button.
5. With the power button pressed, pull the bail switch to meet the handle. The mower will start.
6. Release the power button.

13a

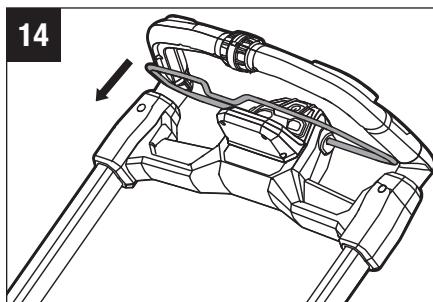


13b



## To stop the mower (Fig. 14)

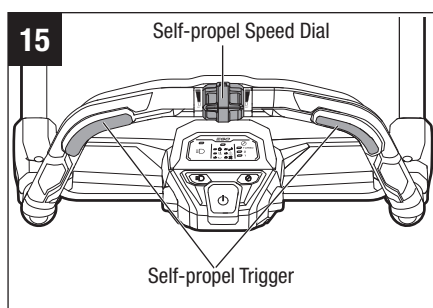
1. Fully release the bail switch.
2. The electric brake in the Automatic Braking Mechanism will stop the blade rotation within 3 seconds of the bail switch release.



## VARIABLE-SPEED SELF-PROPEL SYSTEM (Fig. 15)

The mower is equipped with variable-speed, self-propel capability. To increase the speed, rotate the self-propel speed dial forward. To decrease the speed, rotate the self-propel speed dial backward.

**NOTICE:** The self-propel function will be disabled (OFF) when the self-propel speed control dial is rotated backward to the lowest position.



**WHEN THE MOWER IS SHIPPED, THE SPEED DIAL IS FACTORY-SET AT THE LOWEST (OFF) POSITION.** Before starting the self-propel function for the first time, slightly rotate the self-propel speed dial forward.

This self-propel system is independent from the blade rotation. For example, when you have completed cutting your lawn, you can use the self-propel to propel the mower back to your storage location without blade rotation. Or you may choose to operate the mower as a push mower to maximize battery runtime.

### To operate the self-propel system without blades rotation

Slightly rotate the self-propel speed dial forward until a click can be heard, then press the self-propel trigger(s). There are two self-propel triggers, press either of them to start the self-propel function.

**To turn the self-propel off,** release the self-propel trigger.

## To operate the self-propel system with the blades rotation

1. Press the power button to illuminate the dashboard.
2. Press the blade speed mode button to select the desired speed.
3. Press the power button.
4. With the power button pressed, pull the bail switch against the handle to start the mower, then release the power button.
5. Hold the bail switch against the handle with either of your hands. Press either of the self-propel triggers to start the self-propel function.
6. With one hand holding both the bail switch and the self-propel trigger against the handle, use the other hand to adjust the self-propel speed-control dial to choose the desired speed.

**NOTICE:** When you turn off the self-propel, for example, at the end of a row, it may become temporarily locked if you pull backwards on the mower. Simply push ahead slightly and then move the mower as required.

**NOTICE:** It may, at times, be easier to mow around an object with the self-propel turned off.

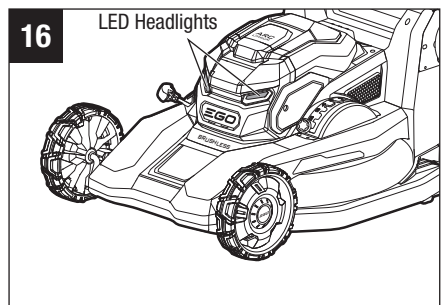
**⚠ WARNING:** To reduce the risk of injury, never attempt to override the operation of the bail switch or self-propel system. Use the self-propel system for its intended purpose only.

## LED HEADLIGHTS (Fig. 16)

The LED headlights are located on the front of the battery compartment (Fig. 16).





**To turn on the headlights,** press the LED headlights button. The headlights provide bright light in front of the mower.



**To turn off the headlights,** press the button again.



## MOWER STATUS INDICATORS (SEE Fig. 1b)

The mower status indicator on the dashboard shows the working status of the mower.

Indicator	Description	Meaning	Action
	Solid green	Mower is working properly.	None required.
	Flashing green	The side rails are not fully extended.	Stop the mower and make sure that the side rails are fully extended.
		The handle is not locked in an operating position.	Stop the mower and make sure that the handle is locked in one of the three operating positions.
	Flashing red	Low battery charge.	Stop the mower and charge the battery pack.
	Solid orange	Mower is overheated.	Release the bail switch, wait until the mower temperature drops below 176 °F (80 °C). See " <b>MOWER HIGH-TEMPERATURE PROTECTION</b> " below.

Indicator	Description	Meaning	Action
	Flashing orange	The mower is overloaded.	<ol style="list-style-type: none"> <li>1. Remove the battery pack, then check if grass has accumulated beneath the deck. Clean if necessary.</li> <li>2. Slow down your stride when cutting.</li> <li>3. Raise the cutting height.</li> <li>4. If above solutions do not work, please contact EGO Customer Service.</li> </ol> <p>See "<b>MOWER OVERLOAD PROTECTION</b>" below.</p>
	Flashing red/green alternately	The mower electronics error.	Contact EGO Customer Service.

## MOWER HIGH-TEMPERATURE PROTECTION

If the mower temperature exceeds 194 °F (90 °C) during operation, the temperature-protection circuit will immediately shut off the mower to prevent overheating damage.

The mower status indicator will glow solid orange. Release the blade rotation trigger and wait until the overheated mower cools down and the status indicator turns green, then restart the mower.

## MOWER OVERLOAD PROTECTION

To prevent overload conditions, do not try to remove too much grass at one time. Slow down your stride or raise the cut height.

Your mower has built-in overload circuit protection. When the mower is overloaded, the motor will stop and the mower status indicator on the dashboard will flash orange.

## MOWING TIPS

**NOTICE:** A sharp blade will greatly enhance the performance of the mower, especially when cutting tall grass. Make sure to check the sharpness of the blade before mowing.

- Verify that the lawn is free of stones, sticks, wires, and other objects which could damage the lawn mower or motor. Such objects could be accidentally thrown by the mower in any direction and could cause serious personal injury to the operator and to others.

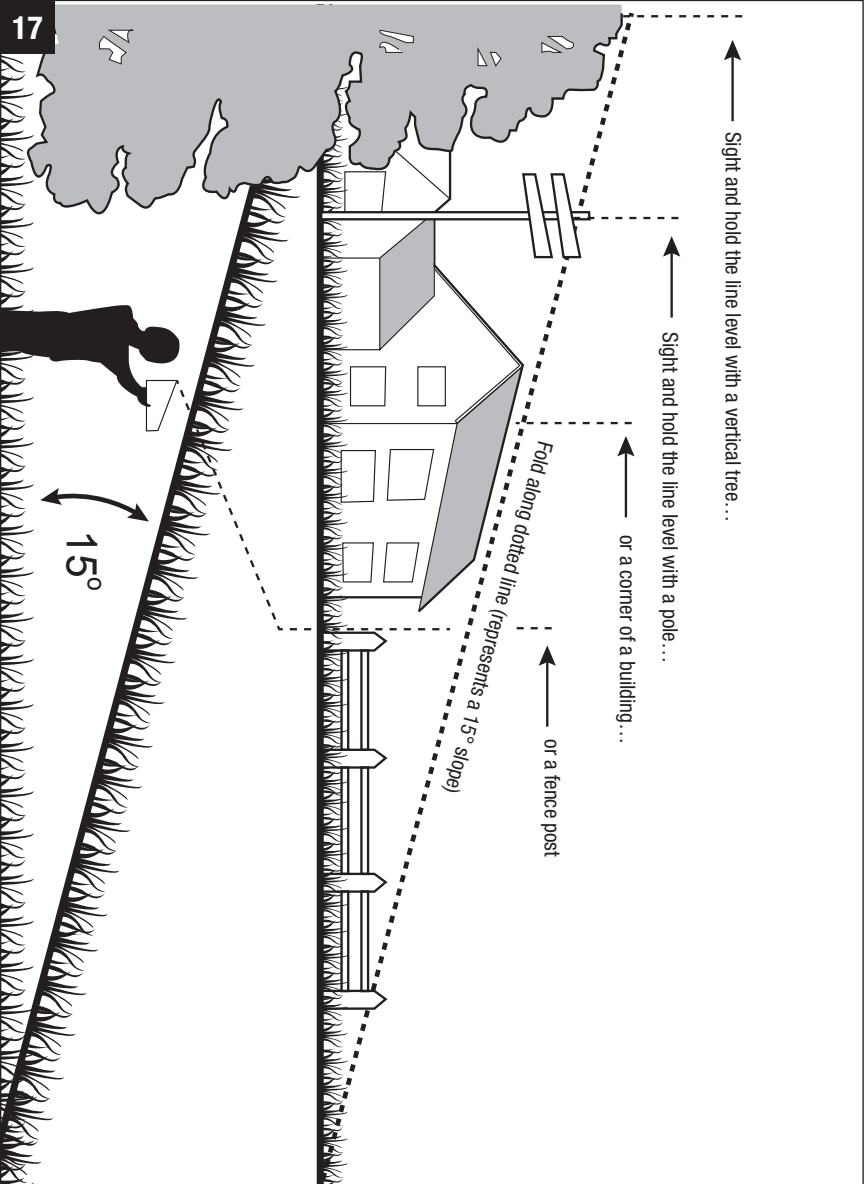
**⚠ WARNING:** If you strike a foreign object, stop the motor and remove the battery. Thoroughly inspect the mower for any damage, and repair the damage before restarting and operating the mower. Excessive vibration of the mower during operation is an indication of damage. The unit should be promptly inspected and repaired.

- For best results, do not mow in circles. Travel back and forth across the lawn.
- When cutting thick grass, reduce your walking speed in order to allow for a more effective cut and a proper discharge of the clippings.
- To maintain a healthy lawn, cut off only one-third or less of the total length of the grass. The average lawn should be approximately 1-1/2 to 2 inches (38 to 53 mm) long during cool months, and between 2 to 3-1/4 inches (53 to 83 mm) long during hot months.

## SLOPE GAUGE (Fig. 17)

**⚠ WARNING:** Do not mow a slope that has an angle of greater than 15° (a rise of approximately 2-1/2 ft. (0.75 m) every 10 ft. (3 m)). Mow across the face of a slope and never up and down.

Use Fig. 17 as a guide in order to identify slopes that cannot be mowed safely.



## MULCHING TIPS

**⚠ WARNING:** Inspect the area where the mower is to be used and remove all stones, sticks, wire and other debris that might be thrown by the rotating blade.

- Release the blades rotation trigger to turn off the mower when crossing any graveled areas; stones can be thrown by the rotating blades.
- Set the mower to the highest cutting height when mowing on uneven ground or in tall growth.
- For effective mulching, do not cut wet grass; it tends to stick to the underside of the deck, preventing the proper mulching of grass clippings. The best time to mow grass is in the late afternoon, when the grass is dry and the newly cut area will not be exposed to direct sunlight.
- For the best mulching performance, set the cutting height to remove approximately one third of the grass blade length, ideally no more than 1-1/2" (38 mm) at one time. If the grass is overgrown, it may be necessary to increase the cut height to make it easier to mow and to prevent overloading the motor. Slow your cutting pace in tall or thick grass conditions. For mulching extremely thick or tall grass, it is advisable to first cut at a high cut-height setting, and then re-cut to the final cut height. Otherwise, make narrower cuts and mow slowly. **ALWAYS MAKE SURE THAT THE BLADES ARE SHARP.**

## MAINTENANCE

**⚠ WARNING:** To avoid serious personal injury, always remove the battery pack from the mower before cleaning or performing any maintenance.

**⚠ WARNING:** When servicing, use only identical replacement parts. Use of any other parts may create a hazard or cause product damage. To ensure safety and reliability, all repairs should be performed by a qualified service technician.

### REPLACING THE BLADES

**⚠ WARNING:** Always protect your hands by wearing heavy gloves or wrapping the cutting edges with rags or other materials when performing any maintenance on the mower blades. Always remove the battery pack when servicing or transporting the mower.

**NOTICE:** The following tools (not included) are required for replacement of the blades:

- 9/16" (14 mm) adjustable wrench (impact wrench with 9/16" (14 mm) socket is recommended)
- Torque wrench with 9/16" (14 mm) socket
- Manual screwdriver or metal rod with a diameter of 5/16" (8 mm) or less
- Manual screwdriver or metal rod with a diameter of 1/4" (6.35 mm) or less

## Replacing the Blade Set

### To remove the blade set

Fig. 18a shows the high performance blade set.

1. Stop the motor, remove the battery pack and grass bag from the mower.
2. Turn the mower on its side.
3. Insert a metal rod (stabilizer 1)  $\text{\O}5/16''$  (8 mm) or less in the stabilizer hole to prevent the blade set from rotating when loosening the shaft bolt.
4. Use the  $9/16''$  (14 mm) wrench to turn the shaft bolt COUNTERCLOCKWISE to loosen and remove the shaft bolt (Fig. 18a).

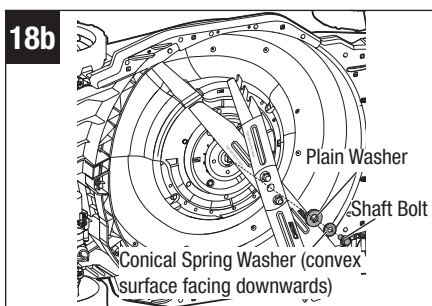
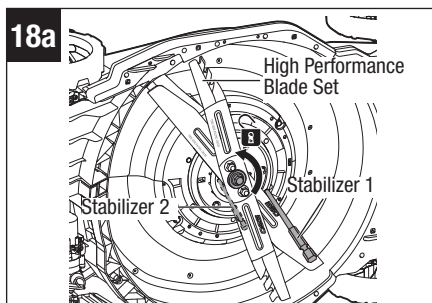
**NOTICE:** If the shaft bolt rotates with the motor shaft when loosening the shaft bolt, place another metal rod with diameter less than  $1/4$  in (6.35 mm) into the hole in the fan to act as stabilizer 2.

5. Remove the conical spring washer, the plain washer, and the blade set (Fig. 18b).
6. Leave the fan on the motor shaft.

### To replace the blade set

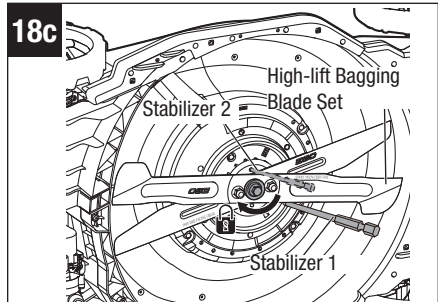
Fig. 18c shows the high-lift bagging blade set (not included).

**NOTICE:** To re-install or replace the blade set, be sure to replace the parts in the exact order in which they were removed.



7. Position the blade set onto the inner flange of the fan with the lower blade surface marked **"THIS SIDE FACING GRASS"** facing toward the outside.
8. Align the plain washer with the motor shaft and assemble it in place.
9. Put the conical spring washer onto the shaft bolt **with the convex surface facing downwards**, and mount the shaft bolt into the shaft and finger-tighten the bolt **CLOCKWISE** (Fig. 18b).
10. Insert the metal rod (stabilizer 1) as aid as shown in Fig. 18c.
11. Use the 9/16" (14 mm) torque wrench to tighten the shaft bolt **CLOCKWISE**. The recommended torque for the blade set bolt is 36-43 ft-lb (50-60 Nm).

**NOTICE:** If the shaft bolt rotates with the motor shaft when tightening the bolt, place another small metal rod to act as stabilizer 2.



## Replacing the Blades Separately

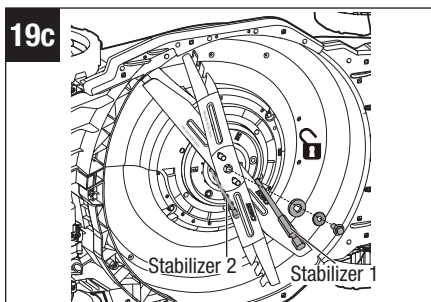
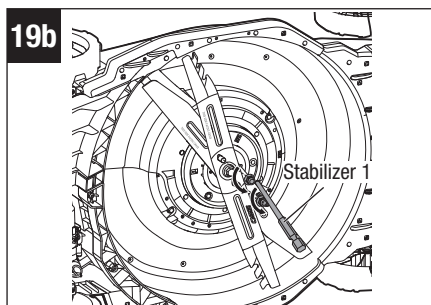
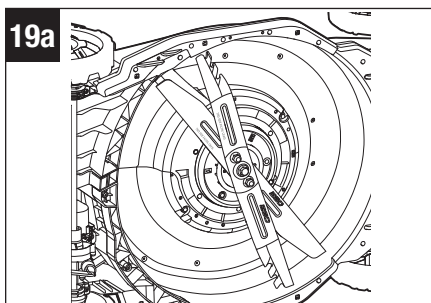
### To remove the blades

1. Stop the motor; remove the battery pack from the mower.
2. Turn the mower on its side (Fig. 19a).
3. Wear protective gloves. Insert the metal rod with a diameter of 5/16" (8 mm) in the stabilizer hole (stabilizer 1) to block the blades. Use a 9/16" (14 mm) wrench to loosen and remove the two nuts (Fig. 19b). **SAVE THE TWO NUTS FOR LATER BLADES REASSEMBLY.**
4. Use the wrench to loosen and remove the shaft bolt, the conical spring washer, and the plain washer (Fig. 19c).

**NOTICE:** If the shaft bolt rotates with the motor shaft during loosening, place another metal rod with diameter less than 1/4" (6.35 mm) into the smaller hole in the fan to act as stabilizer 2.

5. Remove the High Performance Lower Blade and Upper Blade from the motor shaft (Fig. 19d). Remove the two bolts from the upper blade. **SAVE THE TWO BOLTS FOR LATER BLADES REASSEMBLY.**

6. Leave the fan on the motor shaft. Be sure that the fan blade is facing towards the deck (Fig. 19e).



## To install the blades

**NOTICE:** To re-install or replace the blade(s), be sure to assemble the parts in the exact order in which they were removed, especially ensuring that the statements "**THIS SIDE FACING GRASS**" on the upper blade and lower blade are facing toward the outside.

7. Wear protective gloves.
8. Insert the two bolts into the upper blade from the back side that states "**THIS SIDE FACING GRASS**" and then position the upper blade onto the motor shaft (Fig. 19f).

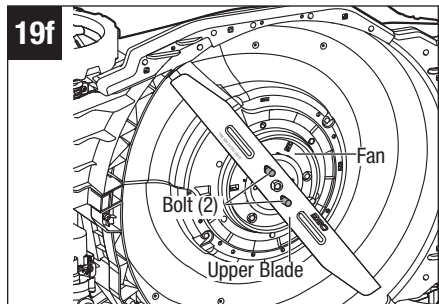
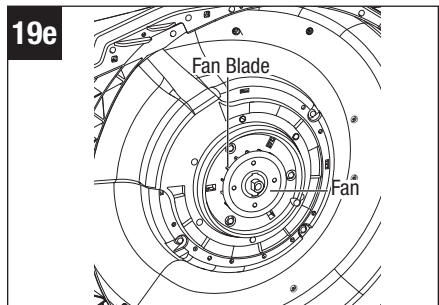
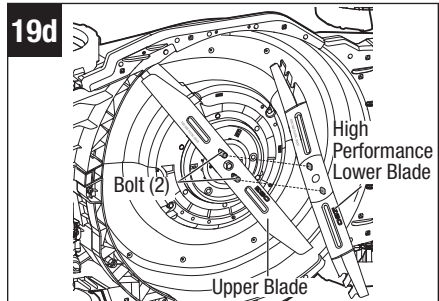
**NOTICE:** The diamond protrusion on the bolts should be aligned with the diamond hole in the upper blade (Fig. 19g).

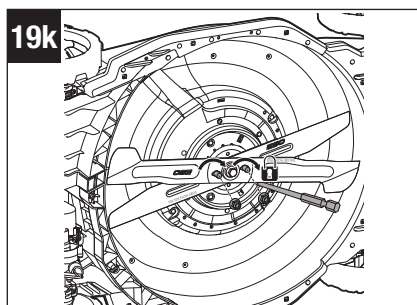
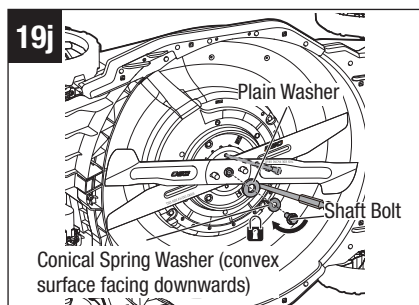
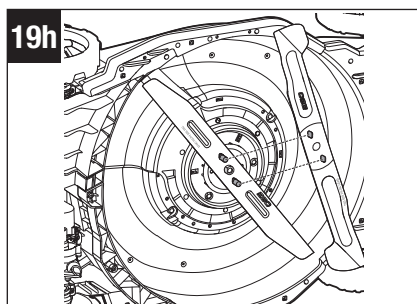
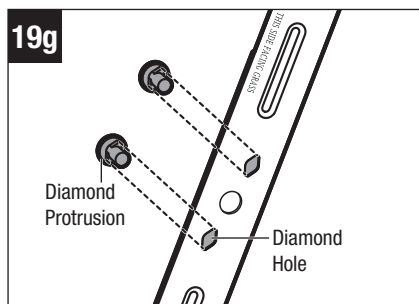
9. Depending on your preference, mount the chosen lower blade onto the motor shaft (refer to the chapter "**SELECT CUT™ CUTTING SYSTEM**" in this manual). Fig. 19h is illustrating the High-Lift Bagging Lower Blade.

**NOTICE:** The diamond hole in the lower blade should fit into the diamond protrusion on the bolts.

10. Insert the metal rod to block the blades, Put the conical spring washer onto the shaft bolt **with the convex surface facing downwards**, and install the plain washer and shaft bolt onto the motor shaft and finger-tighten the shaft bolt **CLOCKWISE**. Tighten shaft bolt to 36-43 ft-lb (50-60 Nm) (Fig. 19j).

**NOTICE:** If the shaft bolt rotates with the motor shaft during tightening, place another metal rod into the smaller hole in the fan to act as stabilizer 2.





11. Install the two nuts onto the bolts and finger-tighten them **CLOCKWISE**. Tighten two nuts to 22 ft-lb (30 Nm) (Fig. 19k).

## SHARPENING THE BLADES

**⚠ WARNING:** Always protect your hands by wearing heavy gloves or wrapping the cutting edges with rags or other materials when performing any maintenance on the mower blades. Always remove the battery pack when servicing or transporting the mower.

**⚠ WARNING:** Use proper eye protection while removing, sharpening, and replacing the blades.

**⚠ WARNING:** A worn, cracked, or damaged blade can break and pieces of the damaged blade can become dangerous projectiles. Thrown objects can cause serious injury. Inspect the blade regularly and do not operate the mower with a worn or damaged blade.

**NOTICE:** Keep the blade sharp for best mower performance. A dull blade does not cut grass cleanly or mulch properly.

A dull blade can be sharpened, but a blade that is excessively worn, bent, cracked, or otherwise damaged must be replaced. A worn or damaged blade can break, causing blade pieces to be thrown from the mower.

If the blade is found to be bent, take the lawn mower to an authorized EGO service center for inspection.

### Sharpening Frequency

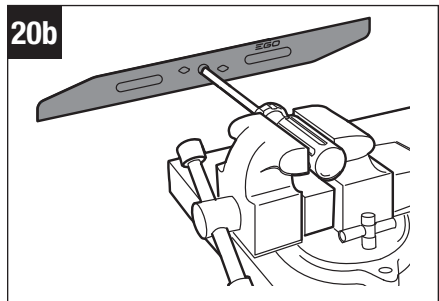
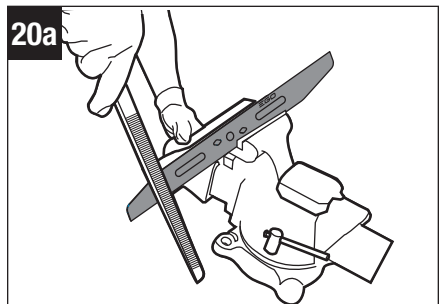
Sharpening the blade twice during a mowing season is usually sufficient under normal circumstances. Sand causes the blade to dull quickly; if your lawn has sandy soil, more frequent sharpening may be required.

### When Sharpening the Blade:

- Make sure that the blade remains balanced.
- Sharpen the blade at the original cutting angle.
- Sharpen the cutting edges on both ends of the blade, removing an equal amount of material from each end.

### To Sharpen a Blade in a Vise:

1. Remove the blade from the mower.
2. Secure the blade in a vise (Fig. 20a).
3. Wear proper eye protection and gloves and be careful not to cut yourself.
4. Carefully file the cutting edges of the blade with a fine-tooth file or sharpening stone, maintaining the original cutting angle.
5. To check the blade balance: clamp a nail or a screwdriver with a round shank in the horizontal position. Position the blade so that the nail or round shank of the screwdriver supports the blade through its center hole. Balance the blade horizontally. If either end of the blade rotates downward, remove some metal from



the heavy or lower end until the blade is balanced. It is balanced when neither end drops (Fig. 20b).

- Replace the blade on the mower and tighten it securely.

**⚠ WARNING:** An unbalanced blade will cause excessive vibration when rotating at high speeds. It may cause damage to the mower and could break, causing personal injury.

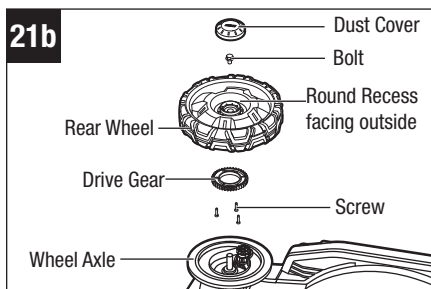
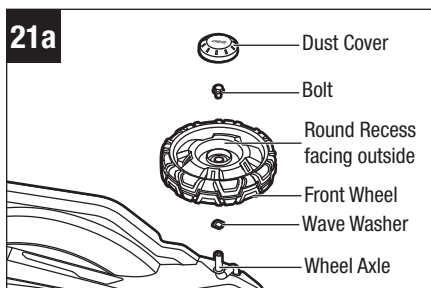
## LUBRICATING THE MOWER

All of the bearings in this product are lubricated with a sufficient amount of high grade lubricant for the life of the unit under normal operating conditions. Therefore, no further bearing lubrication is required.

## REPLACING THE WHEELS (Fig. 21a, 21b & 21c)

**⚠ WARNING:** Always remove the battery pack when servicing or transporting the mower.

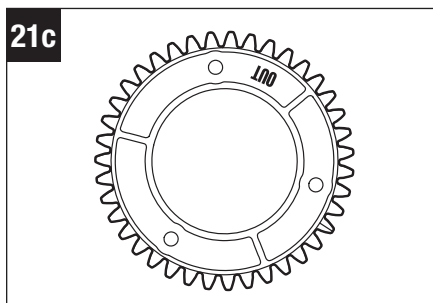
- Turn the mower on its side with the upper surface against a wall.
- Use a flat-blade screwdriver (not included) to pry the dust cover away from the wheel.
- Use an adjustable or 1/2" (13mm) wrench to turn the bolt counterclockwise to loosen it.
- Remove the bolt, the worn wheel, and the wave washer from the wheel axle.



## NOTE:

- When replacing the rear wheel, remove the drive gear from the worn wheel and assemble it to the new wheel with the 3 screws using a Torx T20 screwdriver (not included).

- When mounting the drive gear, the surface of the gear stating “OUT” should face toward the outside (Fig. 21c).
5. Mount the wave washer and the new wheel on the wheel axle. Note that the round recess must face outward.
  6. Secure the wheel with the bolt by tightening the bolt clockwise.
  7. Mount the dust cover onto the wheel and press it in place.

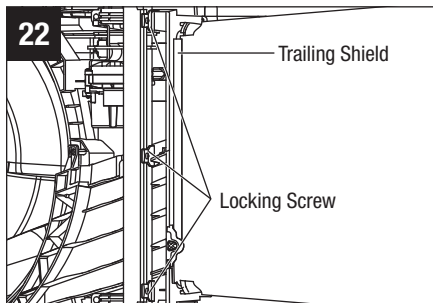


## REPLACING THE TRAILING SHIELD (Fig. 22)

**⚠ WARNING:** Always remove the battery pack when servicing or transporting the mower.

**⚠ WARNING:** Never operate the mower unless the trailing shield is in place and working. Never operate the mower with damaged safety devices.

Failure to do so can result in personal injury. The trailing shield is subject to wear and damage, which could expose moving parts or allow objects to be thrown. For safety protection, frequently check the trailing shield and replace it immediately with only identical replacement part listed in this manual.



1. Remove the battery.
2. Turn the mower on its side with the upper surface against the wall.
3. Use a Torx T20 screwdriver (not included) to loosen and remove the three locking screws for the trailing shield; remove the worn trailing shield (Fig. 22).
4. Replace with a new trailing shield and attach it with the three locking screws.

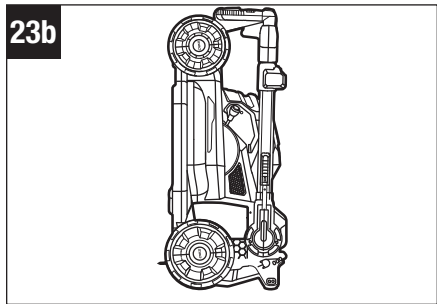
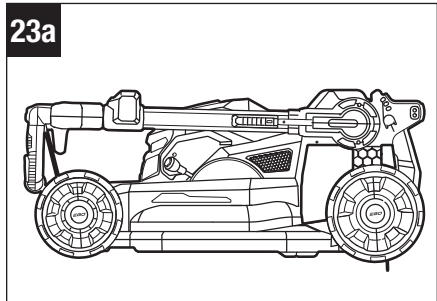
## STORING THE MOWER

The following steps should be taken in order to prepare the lawn mower for storage.

1. Remove the battery pack from the mower and store it at room temperature in a dry location.
2. Empty the grass bag before storage.
3. Always allow the mower to cool down before storing.
4. Clean the mower as described earlier in the “**MAINTENANCE**” section.
5. Inspect the blade(s) and replace them or sharpen them if required.
6. Store the mower in a dry, clean location. Do not store it next to corrosive materials, such as fertilizer or rock salt.
7. Store the mower in a covered and enclosed space that is cool and dry and out of the reach of children.
8. Do not cover the lawn mower with a solid plastic sheet. Plastic coverings trap moisture around the mower, which causes rust and corrosion.

**The handle assembly can be folded away completely for storage:**

1. Remove the grass bag.
2. Move the cutting-height adjustment knob toward the front and engage it in the lowest setting (setting 1).
3. Open the handle-locking clamp and fully recess the side rails to the compact position.
4. Press and hold the quick-adjust lever with one hand to release the handle. Gently pivot the handle toward the front of the mower; release the quick-adjust lever and continue to pivot the handle until you hear and feel the lock pin engage in the locked storage position.
5. Store the mower flat or upright (Fig. 23a & 23b).



**⚠ WARNING:** If the mower tips over from the upright position, mower damage or personal injury may result. Always keep the mower stable and out of the reach of children when it is in the upright position. If possible, lay it flat for storage.

## TROUBLESHOOTING

PROBLEM	CAUSE	SOLUTION
The mower or self-propel system fails to start.	<ul style="list-style-type: none"> <li>■ The battery pack charge is depleted.</li> </ul>	<ul style="list-style-type: none"> <li>■ Charge the battery pack.</li> </ul>
	<ul style="list-style-type: none"> <li>■ The battery pack is not properly inserted into the battery compartment.</li> </ul>	<ul style="list-style-type: none"> <li>■ Insert the battery pack into battery compartment until you hear a "click".</li> </ul>
	<ul style="list-style-type: none"> <li>■ The handle is not locked in an operating position and the mower status indicator flashes green.</li> </ul>	<ul style="list-style-type: none"> <li>■ Stop the mower and make sure that the handle is locked in one of the operating positions.</li> </ul>
	<ul style="list-style-type: none"> <li>■ The mower deck is clogged with grass and debris.</li> </ul>	<ul style="list-style-type: none"> <li>■ Clean the mower deck and ensure that the blade set has freedom of movement.</li> </ul>
	<ul style="list-style-type: none"> <li>■ The self-propel speed dial is in the lowest (OFF) position.</li> </ul>	<ul style="list-style-type: none"> <li>■ Slightly rotate the self-propel speed dial forward, then press the self-propel trigger.</li> </ul>
The mower cuts unevenly.	<ul style="list-style-type: none"> <li>■ The blade is dull.</li> </ul>	<ul style="list-style-type: none"> <li>■ Sharpen or replace the blade.</li> </ul>
	<ul style="list-style-type: none"> <li>■ The grass-cutting height is not set properly.</li> </ul>	<ul style="list-style-type: none"> <li>■ Move the deck height to a higher setting.</li> </ul>
	<ul style="list-style-type: none"> <li>■ The blade is installed incorrectly.</li> </ul>	<ul style="list-style-type: none"> <li>■ Re-install the blade, following the section "<b>INSTALLING THE BLADES</b>" in this manual.</li> </ul>
	<ul style="list-style-type: none"> <li>■ The blade speed mode is not set properly.</li> </ul>	<ul style="list-style-type: none"> <li>■ Select a proper blade speed mode.</li> </ul>
Short runtime of the mower with included battery.	<ul style="list-style-type: none"> <li>■ Grass conditions and cutting-height setting will greatly affect the battery run time. The claimed run time is based on a light load condition.</li> </ul>	<ul style="list-style-type: none"> <li>■ Raise the blade height and slow your pace to reduce the cutting load.</li> </ul>
	<ul style="list-style-type: none"> <li>■ The blade speed mode is not set properly.</li> </ul>	<ul style="list-style-type: none"> <li>■ Select a slower blade speed mode.</li> </ul>

PROBLEM	CAUSE	SOLUTION
The mower does not mulch properly.	<ul style="list-style-type: none"> <li>■ Wet grass clippings are sticking to the underside of the deck.</li> </ul>	<ul style="list-style-type: none"> <li>■ Wait until the grass dries before mowing.</li> </ul>
	<ul style="list-style-type: none"> <li>■ The mower is set to cut too much grass at once.</li> </ul>	<ul style="list-style-type: none"> <li>■ Raise the deck to a higher cutting-height setting.</li> </ul>
	<ul style="list-style-type: none"> <li>■ The blade speed mode is not set properly.</li> </ul>	<ul style="list-style-type: none"> <li>■ Select the blade speed to a lower setting.</li> </ul>
The mower unexpectedly stops while mowing.	<ul style="list-style-type: none"> <li>■ The battery pack charge is depleted.</li> </ul>	<ul style="list-style-type: none"> <li>■ Charge the battery pack.</li> </ul>
	<ul style="list-style-type: none"> <li>■ Mower is overloaded and the mower status indicator flashes orange.</li> </ul>	<ul style="list-style-type: none"> <li>■ Check if grass has accumulated beneath the deck and clean if needed. Raise the cutting height or slow down the mowing.</li> </ul>
	<ul style="list-style-type: none"> <li>■ Mower deck is clogged with grass and debris.</li> </ul>	<ul style="list-style-type: none"> <li>■ Unclog the mower deck. Raise the cutting height and/or cut a narrower swath.</li> </ul>
	<ul style="list-style-type: none"> <li>■ The battery pack or mower circuitry is too hot. If the battery pack is overheated the mower status indicator goes off. If the mower is overheated the mower status indicator glow solid orange.</li> </ul>	<ul style="list-style-type: none"> <li>■ Allow the battery pack or mower to cool down.</li> </ul>
	<ul style="list-style-type: none"> <li>■ The blade speed mode is not set properly.</li> </ul>	<ul style="list-style-type: none"> <li>■ Select the blade speed to a lower setting.</li> </ul>
	<ul style="list-style-type: none"> <li>■ The mower electronics error and the mower status indicator flashes red/green alternately.</li> </ul>	<ul style="list-style-type: none"> <li>■ Contact EGO Customer Service.</li> </ul>

PROBLEM	CAUSE	SOLUTION
There is excessive vibration.	<ul style="list-style-type: none"> <li>■ The cutting blade set is loose.</li> </ul>	<ul style="list-style-type: none"> <li>■ Tighten the shaft bolt.</li> </ul>
	<ul style="list-style-type: none"> <li>■ The cutting blade set is unbalanced.</li> </ul>	<ul style="list-style-type: none"> <li>■ Balance the blade set following the “<b>SHARPENING THE BLADES</b>”.</li> </ul>
	<ul style="list-style-type: none"> <li>■ The cutting blade(s) is bent.</li> </ul>	<ul style="list-style-type: none"> <li>■ Replace the blade(s).</li> </ul>
	<ul style="list-style-type: none"> <li>■ The motor shaft is bent.</li> </ul>	<ul style="list-style-type: none"> <li>■ Contact EGO Customer Service.</li> </ul>
	<ul style="list-style-type: none"> <li>■ The mower is set to cut too much grass at once.</li> </ul>	<ul style="list-style-type: none"> <li>■ Raise the deck to a higher cutting-height setting.</li> </ul>
	<ul style="list-style-type: none"> <li>■ The blade speed mode is not set properly.</li> </ul>	<ul style="list-style-type: none"> <li>■ Select the blade speed to a lower setting.</li> </ul>
Mower is difficult to be pulled back after the self propel is turned off.	<ul style="list-style-type: none"> <li>■ The wheels are temporarily locked.</li> </ul>	<ul style="list-style-type: none"> <li>■ Simply push ahead slightly or raise the rear wheels and then move the mower as desired.</li> </ul>
Mower is difficult to maneuver when mowing around an object or mowing back and forth with self-propel turned on.	<ul style="list-style-type: none"> <li>■ The wheels are temporarily locked.</li> </ul>	<ul style="list-style-type: none"> <li>■ Turn off the self propel.</li> </ul>

PROBLEM	CAUSE	SOLUTION
The motor works but the blade set doesn't cut the grass.	<ul style="list-style-type: none"><li>■ The shaft bolt is not tightened to the required torque.</li></ul>	<ul style="list-style-type: none"><li>■ Re-tighten the shaft bolt. The recommended torque is 36-43 ft-lb (50-60 Nm).</li></ul>
Difficulty moving the clip selector knob from side to side.	<ul style="list-style-type: none"><li>■ Excessive grass clippings have accumulated on top of the sliding door.</li></ul>	<ul style="list-style-type: none"><li>■ Clear grass from the mower deck after each use.</li></ul>



# EGO LIMITED WARRANTY

## WARRANTY POLICY TERMS AND DURATION

Chervon North America, Inc. (“Chervon North America”) provides the following Limited Warranty for EGO products to the original purchaser of EGO products.

The detailed warranty period for each EGO product can be found online at <http://egopowerplus.com/warranty-policy>.

**Please contact EGO Customer Service Toll-Free at 1-855-EGO-5656** any time you have questions or any warranty claims..

## LIMITED SERVICE WARRANTY

EGO products are warranted against defects in material or workmanship from the date of original retail purchase for the applicable warranty period. For any properly and timely submitted warranty claim, if Chervon North America determines a product to be defective during the warranty period, the product will receive free repair or replacement as determined by Chervon North America.

## HOW TO OBTAIN SERVICE

For warranty service, within the applicable warranty period, please contact EGO customer service toll-free at 1-855-EGO-5656. When requesting warranty service, you must present the original dated sales receipt. An authorized service center will be selected to evaluate and repair the product if defective according to the stated warranty terms. When bringing your product to the authorized service center, there may be a small deposit that will be required when dropping off your tool. This deposit is refundable when the repair service is deemed to be covered under warranty. The purchaser is responsible for transportation of any outdoor power equipment or attachments at their expense.

## ADDITIONAL LIMITATIONS & EXCLUSIONS

This limited warranty applies only to the original purchaser from an authorized EGO retailer and is not transferable. EGO products shall not be considered defective, and this warranty will not apply, where the claimed defect is attributable to any cause other than the above-defined defects. This warranty shall be void if the product has been used for rental purposes. This warranty shall not apply to damage caused by accident, abuse, misuse, alteration, modification, unauthorized repair, liquid contact, fire, earthquake or other external cause; operating the product outside EGO's instructions, specifications or guidelines; or failure to properly service or maintain the product. This warranty also does not apply to cosmetic damage, including but not limited to scratches or dents; defects caused by normal wear and tear or otherwise due to the normal aging of the product.

THIS EXPRESS WARRANTY IS GIVEN IN LIEU OF ALL OTHER WARRANTIES, EXPRESS OR IMPLIED, INCLUDING, BUT NOT LIMITED TO, ANY WARRANTIES OF MERCHANTABILITY OR FITNESS FOR PARTICULAR PURPOSE OR USE, WHICH ARE DISCLAIMED. Any implied warranties, including warranties of merchantability or fitness for a particular purpose, that cannot be disclaimed under state law are limited to the applicable warranty period defined at the beginning of this article. The sole and exclusive remedy in connection with the purchase, installation, use, and/or performance of the EGO products is repair or replacement of the product as determined by Chervon North America. Chervon North America's maximum liability shall not in any case exceed the purchase price paid for the product. CHERVON NORTH AMERICA SHALL NOT BE LIABLE TO THE USER OR TO ANYONE ELSE FOR CONSEQUENTIAL, INCIDENTAL, SPECIAL, EXEMPLARY, INDIRECT, OR PUNITIVE DAMAGES ARISING FROM USE OF THE PRODUCTS, INCLUDING BUT NOT LIMITED TO PERSONAL INJURY, DEATH, PROPERTY DAMAGE, LOST PROFITS, OR OTHER ECONOMIC INJURY. This warranty gives you specific legal rights, and you may also have other rights which vary from state to state. Some states do not allow limitations on how long an implied warranty lasts, the exclusion or limitation of incidental or consequential damages, or the limitations on time to bring certain actions, so such limitations contained herein do not apply to individual consumers in those states.

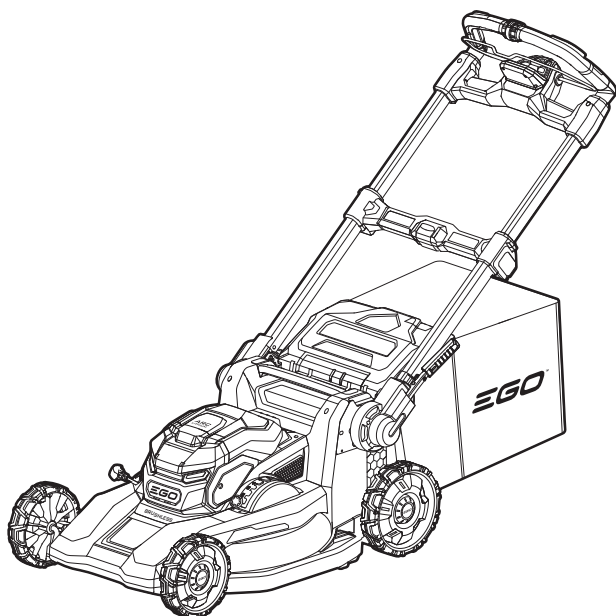
This warranty is subject to and shall be interpreted according to Michigan law without regard to principles of conflicts of laws. No legal action shall be brought against Chervon North America unless filed within one (1) year after the basis for such legal action becomes known, or with the exercise of reasonable diligence should have become known. Any action not timely filed shall be deemed waived.

For customer service contact us toll-free at: **1-855-EGO-5656** or **EGOPOWERPLUS.COM**.  
EGO Customer Service, 769 SEWARD AVE NW / Suite 102 Grand Rapids, MI 49504



# EGO™

POWER<sup>+</sup> MOWER



GUIDE D'UTILISATION

## TONDEUSE À GAZON DE 22 PO SANS FIL À PILES AU LITHIUM-ION DE 56 V

NUMÉRO DE MODÈLE LM2230SP/LM2230SP-FC

**⚠ AVERTISSEMENT :** Afin de réduire les risques de blessure, l'utilisateur doit lire et comprendre le guide d'utilisation avant d'utiliser ce produit. Conservez le présent guide afin de pouvoir le consulter ultérieurement.

# LISEZ TOUTES LES INSTRUCTIONS !



LISEZ LE MODE D'EMPLOI ET  
ASSUREZ-VOUS QUE VOUS LE COMPRENEZ

## TABLE DES MATIÈRES

Symboles relatifs à la sécurité .....	61
Symboles .....	62-63
Avertissement de sécurité concernant les tondeuses à gazon ..	64-68
Règles supplémentaires relatives aux tondeuses à gazon .....	69-71
Introduction .....	72
Spécifications .....	73-74
Accessoires recommandés .....	74
Description .....	75-79
Assemblage .....	80-90
Fonctionnement .....	91-101
Maintenance .....	102-113
Recherche de la cause des problèmes .....	114-118
Garantie limitée d'EGO .....	119-120

# SYMBOLES RELATIFS À LA SÉCURITÉ

La raison d'être des symboles relatifs à la sécurité est d'attirer votre attention sur des dangers possibles. Il est important de vous familiariser avec les symboles relatifs à la sécurité et les explications qui les accompagnent afin de bien les comprendre. Les avertissements et les symboles associés ne suffisent pas à éliminer tous les dangers. Les instructions et les avertissements qu'ils donnent ne sauraient remplacer des mesures de prévention des accidents appropriées.

**⚠ AVERTISSEMENT** : Lisez toutes les consignes de sécurité qui sont contenue dans ce Mode d'emploi, y compris tous les symboles d'alerte relatifs à la sécurité tels que « **DANGER** », « **AVERTISSEMENT** » et « **MISE EN GARDE** », et assurez-vous que vous les comprenez bien avant de commencer à utiliser cet outil. La non-observation de toutes les instructions figurant ci-après pourrait causer un choc électrique, un incendie et/ou des blessures personnelles graves.

Les définitions ci-dessous décrivent le niveau de gravité pour chaque terme signalant un danger. Veuillez lire le mode d'emploi et lire la signification de ces symboles.

	<p>C'est le symbole d'alerte relatif à la sécurité. Il est utilisé pour vous avertir de l'existence possible d'un danger de lésion corporelle. Obéissez à tous les messages relatifs à la sécurité qui suivent ce symbole pour éviter tout risque de blessure ou même de mort.</p>
	<p><b>DANGER</b> indique une situation dangereuse qui, si elle n'est pas évitée, causera la mort d'une personne ou une blessure grave.</p>
	<p><b>AVERTISSEMENT</b> indique une situation dangereuse qui, si elle n'est pas évitée, causera la mort d'une personne ou une blessure grave.</p>
	<p><b>MISE EN GARDE</b>, conjointement avec le symbole d'alerte en liaison avec la sécurité, indique une situation dangereuse qui, si elle n'est pas évitée, causera une blessure légère ou modérée.</p>

## MESSAGES D'INFORMATION ET DE PRÉVENTION DES DOMMAGES

Ils informent l'utilisateur d'informations et/ou d'instructions importantes qui pourraient entraîner des dommages matériels ou aux équipements s'ils ne sont pas suivis. Chaque message est précédé par le terme « **AVIS** », comme dans l'exemple ci-dessous :

**AVIS** : Un dommage matériel et/ou aux équipements peut survenir si ces instructions ne sont pas suivies.

## SYMBOLS

Cette page représente et décrit les symboles de sécurité qui peuvent figurer sur ce produit. Lisez, comprenez et suivez toutes les instructions figurant sur la lampe avant de l'assembler et de commencer à l'utiliser.

	Alerte de sécurité	Indique un risque de blessure.
	Portez des protections auditives	Portez toujours des protections sonores (bouchons d'oreilles ou cache-oreilles) pour protéger votre ouïe.
	Lisez le mode d'emploi, et assurez-vous que vous le comprenez.	Pour réduire le risque de blessure, l'utilisateur doit lire et comprendre le mode d'emploi avant d'utiliser ce produit.
	AVERTISSEMENT – Gardez les mains et les pieds éloignés des lames	Signale aux utilisateurs qu'ils doivent garder les mains et les pieds éloignés des lames.
	AVERTISSEMENT – Débranchez la batterie avant l'entretien	Signale aux utilisateurs qu'ils doivent déconnecter la batterie avant l'entretien.
	PELIGRO: Mantenga alejados las manos y los pies	Signale aux utilisateurs de garder les mains et les pieds éloignés.
	AVERTISSEMENT – Attention aux objets projetés - Éloignez les passants	Signale aux utilisateurs qu'ils doivent se méfier des objets projetés et tenir les passants à l'écart.
	DANGER — Projection de débris possible	Retirez tous les objets qui pourraient être projetés par la lame dans une direction quelconque. Portez des lunettes de sécurité.

	Symboles de recyclage	Ce produit utilise des piles au lithium-ion (Li-ion). Les lois et règlements locaux, provinciaux et fédéraux interdisent peut-être de jeter des piles au lithium-ion dans les ordures ordinaires. Consultez votre service municipal responsable de la gestion des déchets pour déterminer quelles sont les options de recyclage et/ ou d'élimination possibles.
IP...	Indice de protection (IP)	Classifie le degré de protection fourni par une enceinte pour le matériel électrique
V	Volt	Tension
	Courant continu	Type ou caractéristique du courant
mm	Millimètre	Longueur ou la taille
in.	po	Longueur ou la taille
kg	Kilogramme	Poids
lb	lb	Poids
L	Litre	Volume
bu	Boisseau	Volume
min	Minutes	Heure
n <sub>0</sub>	Vitesse à vide	Vitesse de rotation à vide
RPM	Tours par minute	Vitesse de rotation
°C	Degrés Celsius	Température
°F	Degrés Fahrenheit	Température

**⚠ AVERTISSEMENT :** Pour assurer la sécurité et la fiabilité, toutes les réparations doivent être effectuées par un technicien de service qualifié.

# AVERTISSEMENTS DE SÉCURITÉ POUR LES TONDEUSES À GAZON

**⚠ AVERTISSEMENT:** Lisez tous les avertissements de sécurité, les instructions, les illustrations et les spécifications fournis avec cette tondeuse. Le non-respect de toutes les instructions énumérées ci-dessous peut entraîner un choc électrique, un incendie et/ou des blessures graves.

**Conservez tous les avertissements et toutes les instructions pour pouvoir vous y référer ultérieurement.**

## SÉCURITÉ DE LA ZONE DE TRAVAIL

- **Pour éviter tout contact avec la lame en mouvement ou toute blessure due à la projection d'un objet, veillez à ce que la zone de travail ne soit pas occupée par d'autres personnes, en particulier par des enfants en bas âge. Arrêtez la tondeuse et les accessoires si quelqu'un pénètre dans la zone.** Tout contact avec la lame en mouvement ou des objets projetés peut entraîner des blessures graves, voire mortelles.
- **N'utilisez la tondeuse qu'à la lumière du jour ou sous un bon éclairage artificiel.** Les zones sombres sont propices aux accidents.
- **N'utilisez pas la tondeuse à gazon dans des atmosphères explosives, par exemple en présence de liquides, de gaz ou de poussières inflammables.** Les tondeuses à gazon créent des étincelles qui peuvent enflammer la poussière ou les fumées.
- **N'utilisez pas la machine par mauvais temps, en particulier lorsqu'il y a un risque de foudre.** Vous réduirez ainsi le risque d'être frappé par la foudre.
- **Inspectez soigneusement la zone où la tondeuse à gazon doit être utilisée et retirez toutes les pierres, bâtons, fils, os et autres objets étrangers.** Les objets projetés peuvent provoquer des blessures

## SÉCURITÉ ÉLECTRIQUE

- **N'utilisez pas la tondeuse à gazon sous la pluie ou dans des conditions humides.** La pénétration d'eau dans la tondeuse à gazon peut augmenter le risque de choc électrique.

## SÉCURITÉ PERSONNELLE

- **Utilisez un équipement de protection individuelle. Portez toujours des lunettes de protection.** L'équipement de protection réduira les blessures corporelles.
- **Habillez-vous de manière adaptée. Ne portez pas de vêtements amples ni de bijoux. Gardez vos cheveux et vos vêtements à l'écart des pièces mobiles.** Les vêtements amples, les bijoux ou les cheveux longs peuvent être happés par les pièces mobiles.
- **Lorsque vous utilisez la tondeuse à gazon, portez toujours des pantalons longs.** La peau exposée augmente le risque de blessure par des objets lancés.
- **Pendant l'utilisation de la tondeuse à gazon, portez toujours des chaussures antidérapantes et protectrices. N'utilisez pas la tondeuse à gazon pieds nus ou avec des sandales ouvertes.** Cela réduit le risque de blessure aux pieds due au contact avec la lame en mouvement.
- **Empêchez tout démarrage involontaire. Assurez-vous que l'interrupteur est en position d'arrêt avant de connecter la tondeuse à la source d'alimentation et/ou aux batteries, de la soulever ou de la transporter.** Transporter une tondeuse à gazon avec le doigt sur l'interrupteur ou mettre sous tension une tondeuse à gazon dont l'interrupteur est en position de marche favorise les accidents.
- **Retirez toute clé de réglage avant de mettre la tondeuse à gazon en marche.** Une clé laissée sur une pièce rotative de la machine peut entraîner des blessures.
- **Gardez toujours une bonne assise et un bon équilibre.** Cela permet un meilleur contrôle de la tondeuse à gazon dans des situations inattendues.
- **Restez vigilant(e), regardez ce que vous faites et faites preuve de bon sens lorsque vous utilisez la machine. N'utilisez pas la machine si vous êtes fatigué(e) ou sous l'influence de drogues, d'alcool ou de médicaments.** Un moment d'inattention lors de l'utilisation d'une tondeuse à gazon peut entraîner des blessures graves.
- **Ne laissez pas la familiarité acquise grâce à l'utilisation fréquente de la tondeuse à gazon vous amener à devenir négligent et à ignorer les principes de sécurité des tondeuses à gazon.** Un geste imprudent peut entraîner des blessures graves en une fraction de seconde.
- **Pour éviter tout contact avec la lame ou la projection d'un objet, restez dans la zone de conduite, derrière les poignées de la tondeuse.** Le contact avec la lame ou les objets projetés peut entraîner des blessures corporelles graves.
- **Ne touchez pas les lames et autres pièces mobiles dangereuses lorsqu'elles sont encore en mouvement. Vous réduirez ainsi le risque de blessures causées par des pièces en mouvement.**

## UTILISATION ET ENTRETIEN DE LA TONDEUSE À GAZON

- **Utilisez la tondeuse et ses accessoires conformément à ces instructions, en tenant compte des conditions de travail et du travail à effectuer.** L'utilisation de la tondeuse à gazon pour des opérations différentes de celles prévues peut entraîner une situation dangereuse.
- **Avant d'utiliser la tondeuse à gazon, inspectez toujours visuellement pour vérifier que la ou les lames et l'ensemble de lames sont correctement fixés et ne sont ni usés ni endommagés.** Les pièces desserrées, usées ou endommagées peuvent augmenter le risque de blessure.
- **Maintenez les protections et autres dispositifs de sécurité en place, correctement montés et en état de fonctionnement.** Un dispositif de protection ou autre dispositif de sécurité desserré, endommagé ou ne fonctionnant pas correctement peut entraîner des blessures corporelles.
- **Veillez à ce que toutes les entrées d'air de refroidissement soient exemptes de débris.** Les entrées d'air obstruées et les débris peuvent entraîner une surchauffe ou un risque d'incendie.
- **N'utilisez pas la tondeuse à gazon si l'interrupteur ne permet pas de l'allumer et de l'éteindre.** Toute machine qui ne peut être contrôlée par l'interrupteur est dangereuse et doit être réparée.
- **N'utilisez pas la tondeuse à gazon sur de l'herbe mouillée. Marchez, ne courez jamais.** Cela réduit le risque de glissade et de chute pouvant entraîner des blessures corporelles.
- **N'utilisez pas la tondeuse à gazon sur des pentes trop raides.** Cela réduit le risque de perte de contrôle, de glissade et de chute qui peuvent entraîner des blessures corporelles.
- **Ne forcez pas la tondeuse à gazon. Utilisez la tondeuse à gazon adaptée à votre application.**
- **Soyez attentif au sens de décharge de la tondeuse et de l'accessoire et ne dirigez pas la décharge de la tondeuse vers quelqu'un.** Les objets projetés peuvent provoquer des blessures.
- **Soyez extrêmement prudent lorsque vous faites marche arrière ou tirez la tondeuse à gazon vers vous. Soyez toujours conscient de votre environnement.** Cela réduit le risque de trébuchement pendant le fonctionnement.
- **Lorsque vous travaillez sur des pentes, soyez toujours sûr de vos appuis, travaillez toujours en travers de la pente, jamais vers le haut ou vers le bas, et soyez extrêmement prudent lorsque vous changez de direction.** Cela réduit

le risque de perte de contrôle, de glissade et de chute qui peuvent entraîner des blessures corporelles.

- **Actionnez le dispositif de désactivation et/ou retirez toutes les batteries, si elles sont amovibles, de la tondeuse avant d'effectuer des réglages, de changer d'accessoires ou de ranger la tondeuse.** Ces mesures de sécurité préventives réduisent le risque de démarrage accidentel de la tondeuse.
- **Gardez les poignées et les surfaces de préhension sèches, propres et exemptes d'huile et de graisse.** Les poignées et surfaces de préhension glissantes ne permettent pas une manipulation et un contrôle sûrs de la machine dans des situations inattendues.
- **Vérifiez fréquemment que le bac à herbe n'est pas usé ou détérioré.** Un bac à herbe usé ou endommagé peut augmenter les risques de blessures.
- **Avant de retirer le bac à herbe, arrêtez le moteur et attendez l'arrêt complet des lames. La ou les lames de coupe continuent de tourner après le relâchement de la commande des lames. Ne placez jamais aucune partie du corps dans la zone des lames jusqu'à ce que vous soyez certain que le moteur est éteint et que les lames ont cessé de tourner.** Tout contact avec la ou les lames de coupe en mouvement peut entraîner des blessures graves.
- **Avant de déboucher la goulotte, coupez le moteur, attendez l'arrêt complet des lames, actionnez le dispositif de désactivation et/ou retirez toutes les batteries, si elles sont amovibles. La ou les lames de coupe continuent de tourner après le relâchement de la commande des lames. Ne placez jamais aucune partie du corps dans la zone des lames jusqu'à ce que vous soyez certain que le moteur est éteint et que les lames ont cessé de tourner.** Tout contact avec la ou les lames de coupe en mouvement peut entraîner des blessures graves.
- **Avant de nettoyer ou d'inspecter la tondeuse, coupez le moteur, attendez l'arrêt complet des lames, actionnez le dispositif de désactivation et/ou retirez toutes les batteries, si elles sont amovibles.** Tout contact accidentel avec la lame mobile et les pièces mobiles peut entraîner des blessures corporelles.
- **Entretenez la tondeuse et ses accessoires. Vérifiez que les pièces mobiles ne sont pas mal alignées ou coincées, qu'elles ne sont pas cassées et qu'elles ne présentent aucun autre problème susceptible d'affecter le fonctionnement de la tondeuse. Si elle est endommagée, faites-la réparer avant de l'utiliser.** De nombreux accidents sont causés par des tondeuses à gazon mal entretenues.
- **Rangez la tondeuse à gazon inutilisée hors de portée des enfants et ne laissez pas des personnes qui ne connaissent pas la tondeuse à gazon ou ces instructions l'utiliser.** Les tondeuses à gazon sont dangereuses entre les mains d'utilisateurs non formés.

## UTILISATION ET ENTRETIEN DE LA TONDEUSE À BATTERIE

- **Utilisez la tondeuse à gazon uniquement avec des batteries spécifiquement conçues à cet effet.** L'utilisation de toute autre batterie peut entraîner un risque de blessure et d'incendie.
- **Rechargez uniquement avec le chargeur spécifié par le fabricant.** Un chargeur adapté à un type de batterie peut présenter un risque d'incendie s'il est utilisé avec un autre type de batterie.
- **Respectez toutes les instructions de charge et ne chargez pas la(les) batterie(s) ou la tondeuse en dehors de la plage de température spécifiée dans les instructions.** Une charge incorrecte ou à des températures en dehors de la plage spécifiée peut endommager la batterie et augmenter le risque d'incendie.
- **N'utilisez pas une batterie ou une tondeuse à gazon endommagée ou modifiée.** Les batteries endommagées ou modifiées peuvent présenter un comportement imprévisible, pouvant causer un incendie, une explosion ou un risque de blessure.
- **N'exposez pas la(les) batterie(s) ou la tondeuse à gazon au feu ou à une température excessive.** L'exposition au feu ou à une température supérieure à 130 °C (265 °F) peut provoquer une explosion.
- **Dans des conditions abusives, du liquide peut être éjecté de la (des) batterie(s) ; évitez tout contact. En cas de contact accidentel, rincez à l'eau. Si le liquide entre en contact avec les yeux, consultez immédiatement un médecin.** Le liquide éjecté de la (des) batterie(s) peut provoquer une irritation ou des brûlures.
- **Lorsqu'une batterie n'est pas utilisée, éloignez-la de tout objet métallique, comme les trombones, les pièces de monnaie, les clés, les clous, les vis ou d'autres petits objets métalliques, susceptibles d'établir une connexion d'une borne à l'autre.** La mise en court-circuit des bornes de la batterie peut provoquer des brûlures ou un incendie.

## RÉPARATIONS

- **Confiez l'entretien de votre tondeuse à un réparateur qualifié qui n'utilisera que des pièces de rechange identiques. Cela permet de garantir la sécurité de la tondeuse à gazon.** L'utilisation de pièces non conformes aux spécifications de l'équipement d'origine peut entraîner de mauvaises performances et compromettre la sécurité.
- **Ne réparez jamais une batterie endommagée.** L'entretien des batteries ne doit être effectué que par le fabricant ou des prestataires de services agréés.

# RÈGLES SUPPLÉMENTAIRES POUR LA TONDEUSE À GAZON

- L'utilisateur est responsable des accidents ou des risques encourus par d'autres personnes ou par leurs biens.
- Familiarisez-vous avec les commandes et l'utilisation correcte de la machine.
- Avant l'utilisation, vérifiez toujours visuellement que la lame et le boulon de lame ne sont pas usés ou endommagés. Remplacez la lame et le boulon usés ou endommagés par ensembles pour préserver l'équilibre.
- Maintenez tous les écrous, boulons et vis bien serrés pour garantir que le produit est en bon état de fonctionnement.
- Vérifiez le fonctionnement de la machine avant chaque utilisation et, en cas de défaut, faites-la réparer immédiatement par une personne qualifiée ; n'ouvrez jamais la machine vous-même.
- N'utilisez jamais la machine si la protection arrière ou le bac à herbe est défectueux.
- Lors de l'utilisation de la machine sans bac à herbe, veillez à ce que la protection arrière soit en position fermée (risque de blessure due à la lame de coupe en rotation).
- Éteignez toujours la machine, retirez la (les) batterie(s) et assurez-vous que toutes les pièces mobiles sont complètement arrêtées.
- chaque fois que vous laissez la machine sans surveillance
- avant de dégager un matériau coincé
- avant de vérifier, de nettoyer ou de travailler sur la machine
- après avoir heurté un corps étranger, pour vérifier que la machine n'est pas endommagée et pour effectuer les réparations nécessaires avant de la redémarrer et de la faire fonctionner
- si la machine commence à vibrer de manière anormale, vérifiez immédiatement si elle est endommagée, remplacez ou réparez les pièces endommagées et vérifiez si des pièces sont desserrées et resserrez-les.
- Gardez toujours les mains et les pieds éloignés des pièces en rotation.
- Restez toujours éloigné de l'ouverture de décharge.

- Mettez le moteur en marche conformément aux instructions et éloignez vos pieds de la lame de coupe.
- Ne tondez jamais à proximité immédiate de personnes (en particulier d'enfants) et d'animaux.
- Arrêtez la lame de coupe si le produit doit être incliné pour le transport lorsque vous traversez des surfaces autres que de l'herbe, et lorsque vous transportez le produit vers et depuis la zone à tondre.
- N'inclinez pas la machine lorsque vous mettez le moteur en marche, sauf si elle doit être inclinée pour le démarrage. Dans ce cas, ne l'inclinez pas plus que nécessaire et soulevez uniquement la partie qui est éloignée de l'opérateur.
- Lors du réglage de l'appareil, veillez à ne pas vous coincer les doigts entre la lame mobile et les parties fixes de l'appareil.
- Laissez toujours la machine refroidir avant de la ranger.
- Lors de l'entretien de la lame, n'oubliez pas que, même si la source d'alimentation est coupée, la lame peut encore être déplacée.
- Vérifiez que la lame de coupe n'est pas bloquée. Pour éviter tout blocage, maintenez la lame de coupe et le plateau de coupe propres. Retirez l'herbe coupée, les feuilles, la saleté et tout autre débris accumulé avant et après chaque utilisation.
- En cas de blocage, arrêtez la tondeuse et retirez la (les) batterie(s), puis retirez toute accumulation d'herbe et de feuilles sur ou autour de l'arbre de transmission et du ventilateur du moteur (n'utilisez pas d'eau). Nettoyez la tondeuse avec un chiffon humide.
- Videz le sac à herbe avant de ranger la machine.
- N'utilisez jamais la machine si le cordon du manche est endommagé ; faites-le remplacer par une personne qualifiée.
- Nettoyage et entretien avant le stockage.

- Utilisez la tondeuse à gazon uniquement avec des batteries spécifiquement conçues à cet effet. L'utilisation de toute autre batterie peut entraîner un risque de blessure et d'incendie.

<b>BLOC-PILES</b>	<b>CHARGEUR</b>
BA1400, BA1400-FC, BA2800, BA2800-FC, BA4200, BA4200-FC, BA1400T, BA1400T-FC, BA2242T, BA2242T-FC, BA2800T, BA2800T-FC, BA3360T, BA3360T-FC, BA4200T, BA4200T-FC, BA4480T, BA4480T-FC, BA5600T, BA5600T-FC, BA6720T, BA6720T-FC	CH2100, CH2100-FC, CH3200, CH3200-FC CH5500, CH5500-FC, CH2800D, CH2800D-FC CH7000, CH7000-FC CH7000T, CH7000T-FC

## INTRODUCTION

Félicitations pour votre choix de la nouvelle tondeuse à gazon au lithium-ion EGO de 56 V. Elle a été conçue, développée et fabriquée pour vous donner le plus possible de fiabilité et de rendement.

Si vous rencontrez un problème auquel vous ne pouvez pas remédier facilement, **veuillez contacter le de service à la clientèle d'EGO au 1-855-EGO-5656.**


Ce mode d'emploi contient des informations importantes sur l'assemblage, l'utilisation et l'entretien de votre tondeuse en toute sécurité. Lisez-le attentivement avant de commencer à utiliser la tondeuse. Conservez ce mode d'emploi à portée de main afin de pouvoir vous y référer à tout moment.

NUMÉRO DE SÉRIE \_\_\_\_\_ DATE D'ACHAT \_\_\_\_\_

LES NUMÉROS DE MODÈLE ET DE SÉRIE SE TROUVENT SUR UNE ÉTIQUETTE APPOSÉE SUR LA PORTE DE DÉCHARGE ARRIÈRE.

VOUS DEVEZ ENREGISTRER LE NUMÉRO DE SÉRIE ET LA DATE D'ACHAT, ET LES CONSERVER EN LIEU SÛR POUR TOUTE RÉFÉRENCE ULTÉRIEURE.

# SPÉCIFICATIONS

Tension	56 V 
Mode de réglage de la vitesse de la lame	TURBO
	2
	1
Réglage approximatif de la hauteur de coupe	
1	25 mm / 1 po
2	33 mm / 1-3/8 po
3	43 mm / 1-3/4 po
4	54 mm / 2 po
5	66 mm / 2-1/2 po
6	79 mm / 3 po
7	92 mm / 3-1/2 po
8	105 mm / 4 po
Taille du châssis	559 mm / 22 po
Volume du sac à herbe	85 l / 2,5 bu
Indice de protection	IPX4* (Protection contre les éclaboussures d'eau)
Poids de la tondeuse à gazon (sans le bloc-piles)	67,3 lb / 30,6 kg
Autonomie de fonctionnement approximative avec une pile EGO de 56 V, 10 Ah	75 min. (Mode 1)
Température de fonctionnement recommandée	0 °C – 40 °C / 32 °F – 104 °F
Température de stockage recommandée	-20 °C – 70 °C / -4 °F – 158 °F

\* **REMARQUE** : L'indice IPX4 est basé sur l'utilisation conjointe de la machine et du bloc-piles en tant que système.

**REMARQUE** : Veuillez vous référer aux manuels de la batterie et du chargeur pour obtenir des instructions de sécurité et de fonctionnement détaillées.

**REMARQUE** : L'autonomie de fonctionnement réelle varie en fonction de l'état de l'herbe : espèce, densité, humidité, etc.

## Conseils pour maximiser l'autonomie de fonctionnement

Pour tirer le meilleur parti de votre tondeuse EGO, veuillez respecter les règles suivantes :

- Ne coupez pas plus de 38 mm / 1,5 po d'herbe en un seul passage.
- Déplacez la tondeuse à un rythme modéré.
- Ne coupez pas d'herbe mouillée.
- Assurez-vous que les lames sont bien aiguisées.
- Assurez-vous que le dessous du plateau est propre.

## ACCESSOIRES RECOMMANDÉS

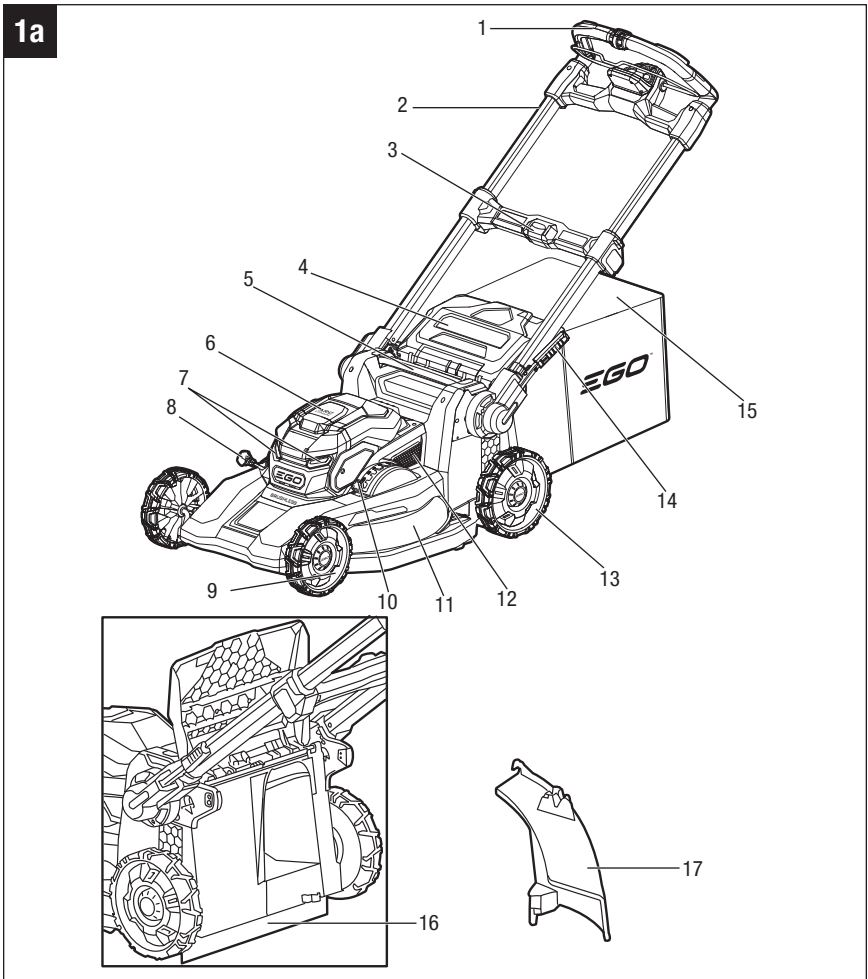
**⚠ AVERTISSEMENT :** Les pièces suivantes s'usent en conséquence de leur utilisation normale. Utilisez seulement des pièces de rechange EGO identiques énumérées ci-dessous. L'utilisation de pièces qui ne répondent pas aux spécifications des équipements d'origine pourrait causer une performance inadéquate et compromettre la sécurité.

NOM DE LA PIÈCE	NUMÉRO DE MODÈLE
Jeu de lames EGO très performantes	AB2211D
Jeu de lames d'ensachage à soulèvement en position haute EGO	AB2212D

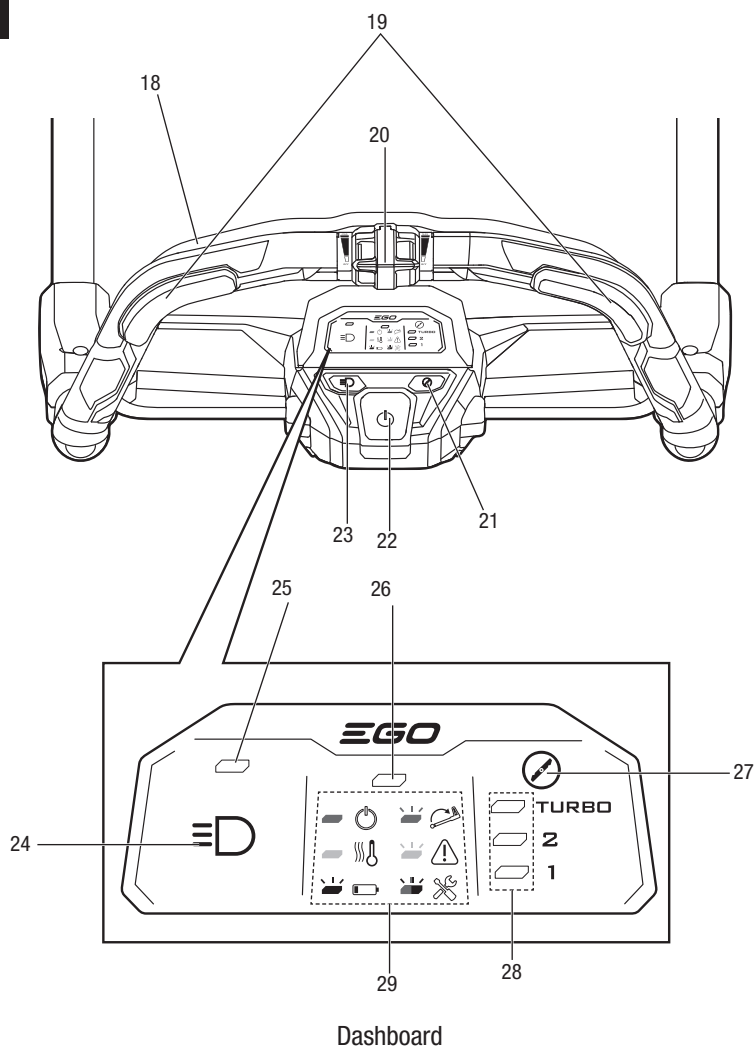
# DESCRIPTION

## FAMILIARISEZ-VOUS AVEC VOTRE TONDEUSE À GAZON (Fig. 1a et 1b)

Pour que ce produit puisse être utilisé en toute sécurité, il est nécessaire de comprendre les informations figurant sur la machine et dans son mode d'emploi, et de bien maîtriser le projet que vous voulez réaliser. Avant d'utiliser ce produit, familiarisez-vous avec toutes ses fonctionnalités et les consignes de sécurité qui s'y appliquent.



1b



1. Poignée
2. Rail latéral
3. Bride de fixation pour verrouiller la poignée
4. Porte de la goulotte de décharge arrière
5. Poignée d'élévation
6. Cache du compartiment des piles
7. Phares à DEL
8. Bouton de réglage du sélecteur de coupe
9. Roue avant
10. Bouton de réglage de la hauteur de coupe
11. Châssis
12. Orifice d'admission d'air
13. Roue arrière
14. Levier de réglage rapide
15. Sac à herbe
16. Bouclier de protection arrière
17. Goulotte de décharge latérale
18. Interrupteur à levier (levier de l'interrupteur)
19. Gâchette de déclenchement de l'autopropulsion
20. Molette de réglage de la vitesse d'autopropulsion
21. Bouton de mode de réglage de la vitesse des lames
22. Bouton de mise sous tension/hors tension
23. Bouton des phares à DEL
24. Icône des phares à DEL
25. Indicateur des phares à DEL
26. Indicateur d'état de charge de la tondeuse
27. Icône de lame
28. Indicateur du mode de réglage de la vitesse des lames
29. Icône d'état de fonctionnement de la tondeuse

## BOUTON DE MISE SOUS TENSION/HORS TENSION

- Lorsque vous appuyez brièvement sur cette touche, le voyant d'état de la tondeuse et l'indicateur de vitesse de fonctionnement de la lame par défaut **(2)** s'allument.
- Le bouton de mise sous tension/hors tension doit être enfoncé avant que le moteur puisse démarrer.

## **INTERRUPTEUR À LEVIER**

L'interrupteur à levier permet d'activer et de désactiver le moteur de la lame.

## **GÂCHETTE DE DÉCLENCHEMENT DE L'AUTOPROPULSION**

Permet d'activer et de désactiver la fonction d'autopropulsion.

## **CADRAN DE RÉGLAGE DE LA VITESSE D'AUTOPROPULSION**

Augmentez ou diminuez la vitesse d'autopropulsion.

## **BOUTON DE MODE DE RÉGLAGE DE LA VITESSE DES LAMES**

Ce bouton permet à l'utilisateur de sélectionner la vitesse des lames en fonction de l'état de la pelouse.

## **BOUCLIER DE PROTECTION ARRIÈRE ET PORTE DE LA GOULOTTE DE DÉCHARGE ARRIÈRE**

Le bouclier de protection arrière est conçu pour minimiser le risque de projection de pierres et d'autres objets vers l'arrière par la lame de la tondeuse. Le bouclier et la porte de la goulotte de décharge arrière minimisent le risque de contact accidentel du pied avec la lame. N'utilisez PAS la tondeuse si le bouclier arrière et la porte de la goulotte de décharge arrière ne sont pas à leur place.

## **GOULOTTE DE DÉCHARGE LATÉRALE**

Guide l'herbe coupée vers la gauche de la tondeuse.

## **BRIDE DE FIXATION POUR VERROUILLER LA POIGNÉE**

Verrouille/déverrouille les rails latéraux en position sortie ou rétractée.

## **RAILS LATÉRAUX**

Peuvent être sortis et verrouillés pour le fonctionnement ou rétractés pour le rangement.

## **BOUTON DE SÉLECTION DE L'AGRAFE**

Contrôle l'ensachage, le broyage et l'éjection latérale, et dispose de cinq positions de réglage.

## **LEVIER DE RÉGLAGE RAPIDE**

Verrouille/déverrouille la position de la poignée lors du réglage de l'angle de la poignée de la tondeuse :

1. Position de rangement verrouillée
2. Position de fixation/retrait du sac à herbe
3. Position d'utilisation supérieure
4. Position d'utilisation intermédiaire
5. Position d'utilisation inférieure

## **PHARES À DEL**

Les phares à DEL sont situés à l'avant de la tondeuse et fournissent un éclairage pour une meilleure visibilité.

## **BOUTON DE RÉGLAGE DE LA HAUTEUR DE COUPE**

Permet de régler la hauteur de coupe de la tondeuse.

## ASSEMBLAGE

**⚠ AVERTISSEMENT** : Pour empêcher tout démarrage accidentel qui pourrait causer une blessure grave, retirez toujours le bloc-piles de la machine lorsque vous effectuez le montage de pièces.

**⚠ AVERTISSEMENT** : Ne tentez pas de modifier cette machine ou de créer des accessoires qu'il n'est pas recommandé d'utiliser avec cette tondeuse. Une telle altération ou modification constituerait une utilisation abusive et pourrait créer une situation dangereuse entraînant un risque de blessures graves.

## DÉBALLAGE

Commencez par retirer tous les accessoires du carton, puis saisissez l'avant de la tondeuse et la poignée de levage en même temps de façon à soulever délicatement la tondeuse et la faire sortir du carton.

- Assurez-vous que tous les articles indiqués sur la « **LISTE DES PIÈCES** » sont inclus.
- Inspectez attentivement le produit pour vous assurer qu'aucun dommage ou bris de pièce(s) ne s'est produit pendant le transport.
- Ne jetez pas les matériaux d'emballage avant d'avoir inspecté attentivement la tondeuse et de l'avoir mise en marche de façon satisfaisante.
- Si une pièce quelconque est endommagée ou manquante, rappez la tondeuse dans le magasin où vous l'avez achetée.

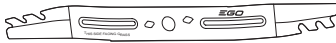
## LISTE DES PIÈCES

NOM DE LA PIÈCE	QUANTITY
Tondeuse à gazon	1
Sac à herbe	1
Cadre du sac à herbe	1
Jeu de lames très performantes EGO (installées dans la tondeuse à l'usine)	1

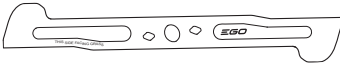
NOM DE LA PIÈCE	QUANTITY
Lame inférieure d'ensachage à grande puissance d'aspiration	1
Goulotte de décharge latérale	1
Mode d'emploi	1

## SYSTÈME DE COUPE SELECT CUT™

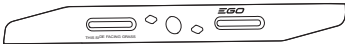
Le système de coupe Select Cut™ vous permet d'utiliser l'une des deux lames du bas interchangeables : la lame du bas très performante et la lame d'ensachage à grande puissance d'aspiration.



La **lame du bas très performante** est conçue spécifiquement pour la tondeuse afin d'optimiser son couple élevé et la vitesse rapide de ses lames, ce qui permet d'obtenir des performances de déchiquetage et de coupe exceptionnelles.



La **lame inférieure d'ensachage** à grande puissance d'aspiration fournit une force d'aspiration accrue qui est idéale pour l'ensachage et garantit qu'il ne restera pas de déchets sur votre pelouse.



La **lame supérieure EGO** est utilisée conjointement avec la lame inférieure choisie pour trancher le gazon en fragments très fins, et elle améliore considérablement la performance de coupe.

**⚠ AVERTISSEMENT :** Les lames supérieures et inférieures doivent être installées. La tondeuse ne fonctionnera pas si une seule lame est installée.

## RÉGLAGE DE LA POIGNÉE PLIABLE

**⚠ AVERTISSEMENT :** Ne tentez pas de faire démarrer la tondeuse à gazon avant que la poignée ait été verrouillée dans l'une des trois positions de fonctionnement préréglées : POSITION D'UTILISATION SUPÉRIEURE, POSITION D'UTILISATION INTERMÉDIAIRE et POSITION D'UTILISATION INFÉRIEURE.

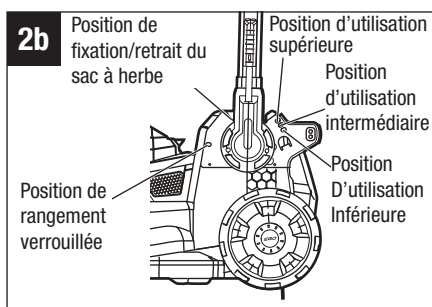
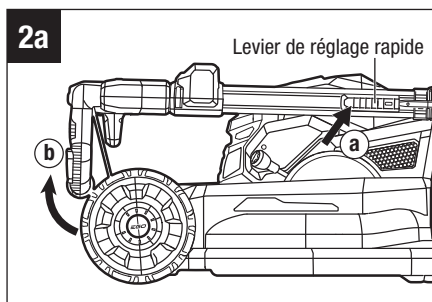
1. POSITION DE RANGEMENT VERROUILLÉE (Fig. 2a)
2. POSITION DE FIXATION/RETRAIT DU SAC À HERBE

Appuyez sur le levier de réglage rapide d'une main et maintenez-le enfoncé pour libérer la poignée de la position de rangement verrouillée.

Commencez à soulever la poignée de sa position repliée avec l'autre main, puis relâchez le levier (Fig. 2a). Faites pivoter doucement la poignée vers le haut jusqu'à ce que vous entendiez et sentiez la goupille de verrouillage s'engager dans la première position (Fig. 2b). Cette position permet un accès facile pour installer et retirer le sac à herbe.

3. POSITION D'UTILISATION SUPÉRIEURE

Soulevez la poignée d'une seule main. Faites pivoter doucement la poignée vers l'arrière jusqu'à ce que vous entendiez et sentiez la goupille de verrouillage s'engager dans la position d'utilisation supérieure. Déployez complètement les rails latéraux et fermez de façon sécurisée la pince de verrouillage de la poignée (Fig. 2c). Les utilisateurs de grande taille préféreront peut-être sélectionner cette position d'utilisation.



#### 4. POSITION D'UTILISATION INTERMÉDIAIRE

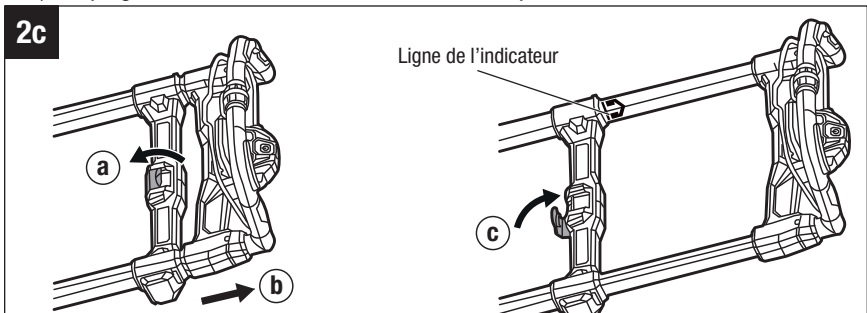
Appuyez sur le levier de réglage rapide et maintenez-le enfoncé d'une main pour libérer la poignée de la position de fonctionnement supérieure. Commencez à abaisser la poignée avec l'autre main, puis relâchez le levier. Faites pivoter doucement la poignée vers le bas jusqu'à ce que vous entendiez et sentiez la goupille de verrouillage s'engager dans la position d'utilisation intermédiaire. Déployez complètement les rails latéraux et fermez de façon sécurisée les pinces de verrouillage de la poignée (Fig. 2c).

#### 5. POSITION D'UTILISATION INFÉRIEURE

Appuyez sur le levier de réglage rapide et maintenez-le enfoncé d'une main pour libérer la poignée de la position de fonctionnement intermédiaire. Commencez à abaisser la poignée avec l'autre main, puis relâchez le levier. Faites pivoter doucement la poignée vers le bas jusqu'à ce que vous entendiez et sentiez la goupille de verrouillage s'engager dans la position d'utilisation inférieure. Déployez complètement les rails latéraux et fermez de façon sécurisée la pince de verrouillage de la poignée (Fig. 2c).

**REMARQUE :** Le moteur ne pourra pas démarrer si toutes les conditions suivantes ne sont pas remplies :

- 1) Les rails latéraux sont totalement sortis.
- 2) La pince de fixation verte pour le verrouillage de la poignée est fermée de façon sécurisée.
- 3) La poignée est verrouillée dans l'une des trois positions d'utilisation.



## BOUTON DE RÉGLAGE DU SÉLECTEUR DE FONCTION (Fig. 3)

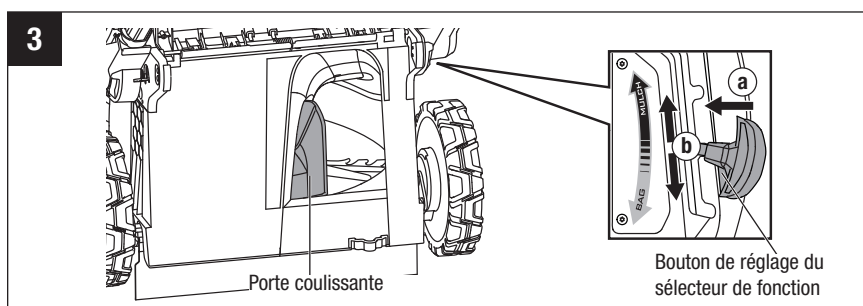
Placez le bouton de réglage du sélecteur de fonction dans l'une des cinq positions possibles pour obtenir les résultats de tonte souhaités.

Le bouton permet de régler une porte coulissante de la position « BAG » (ensachage), complètement ouverte, à la position « MULCH » (déchiquetage), complètement fermée.

En réglant le bouton du sélecteur de coupe, il est possible de s'adapter à différentes conditions de tonte.

**Pour repositionner le bouton**, tirez le bouton hors du cran et mettez-le dans la position souhaitée.

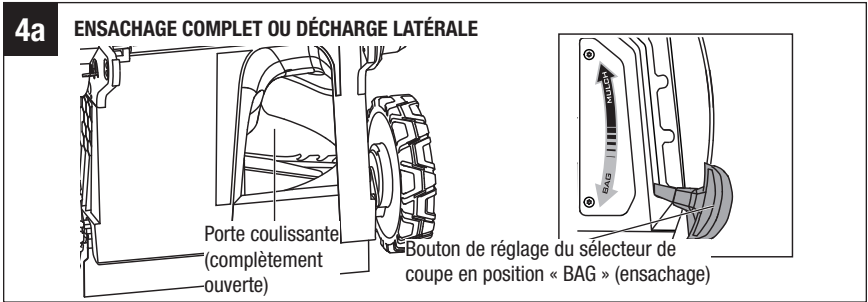
**AVIS :** Si une forte résistance est observée lorsque l'on déplace la molette de réglage du sélecteur de coupe d'un côté à l'autre, il se peut qu'une quantité excessive d'herbe se soit accumulée sur le dessus de la porte coulissante. Dégagez l'herbe sous le châssis de la tondeuse après chaque utilisation.



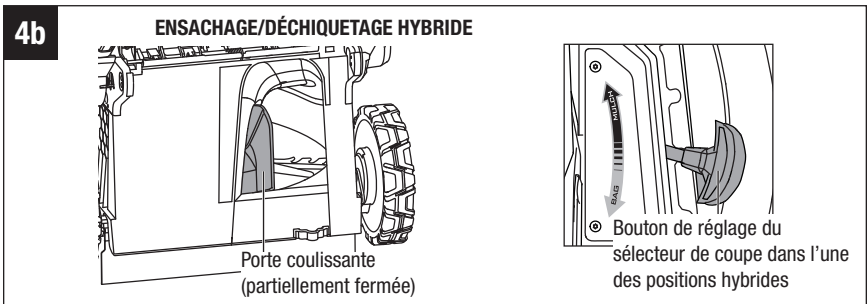
## POSITION DE LA PORTE COULISSANTE

La porte coulissante peut être positionnée pour obtenir différents résultats de tonte. Pour apprendre la différence entre les positions, installez un sac à herbe et commencez à tondre en tournant le bouton de réglage du sélecteur de fonction à fond vers la position « BAG ». Vérifiez l'aspect de la pelouse. Plus le bouton est déplacé vers la position « MULCH », plus l'herbe est recyclée sur la pelouse. Ajustez le bouton de réglage du sélecteur de fonction jusqu'à ce que vous obteniez le résultat souhaité. Le mode hybride ensachage/déchiquetage permet d'obtenir une coupe nette et fine.

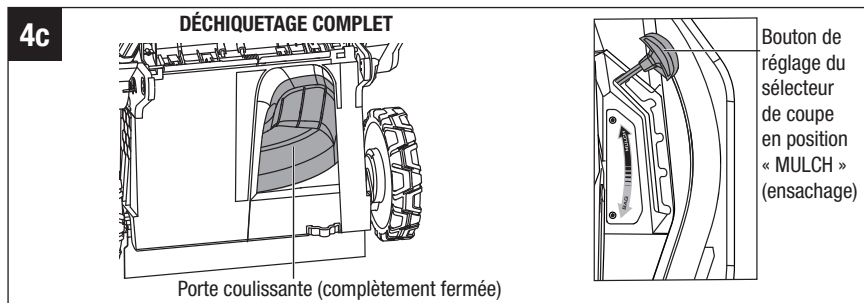
- **Le bouton de réglage du sélecteur de fonction étant en position « BAG »,** la porte coulissante est complètement ouverte, ce qui permet à l'herbe coupée de tomber dans le sac (Fig. 4a).



- **Bouton de réglage du sélecteur de coupe en position hybride ensachage/déchiqetage,** la porte coulissante est partiellement fermée. Une partie de l'herbe coupée ira dans le sac, et une autre partie sera finement déchiqetée et dirigée vers le sol (Fig. 4b).



- **Bouton de réglage du sélecteur de coupe en position « MULCHING »** (déchiquetage), la porte coulissante est complètement fermée. Tous les déchets de coupe seront finement déchiquetés et dirigés vers le sol (Fig. 4c).

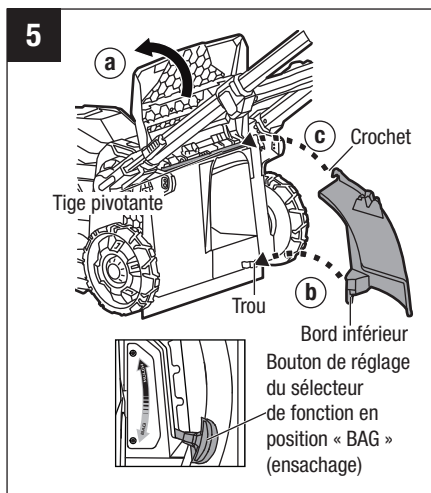


## DÉCHARGE LATÉRALE

### Fixation/retrait de la goulotte de décharge latérale (Fig. 5)

**AVIS :** Assurez-vous que le dessous du châssis est propre avant d'utiliser la goulotte de décharge latérale.

1. Mettez la tondeuse hors tension et retirez le bloc-piles.
2. Retirez le sac à herbe et placez le bouton de réglage du sélecteur de fonction dans la position « BAG ».
3. Soulevez la porte de la goulotte de décharge arrière.
4. Alignez le bord inférieur de la goulotte de décharge latérale sur le trou du seuil de la porte et insérez-le dans le trou.
5. Accrochez la partie supérieure de la goulotte de décharge latérale à la tige pivotante. Vérifiez qu'elle est bien à sa place.



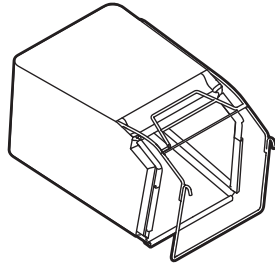
6. Relâchez la porte de la goulotte de décharge arrière et assurez-vous qu'elle repose fermement contre la goulotte de décharge latérale.
7. **Pour retirer la goulotte de décharge latérale**, soulevez la porte de la goulotte de décharge arrière, élevez la goulotte de décharge latérale et tirez dessus pour la faire sortir.
8. Ouvrez la porte de la goulotte de décharge arrière.

## ENSACHAGE COMPLET

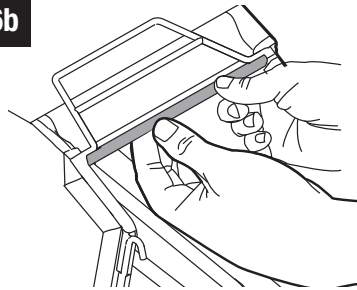
### Assemblage du sac à herbe

1. Inspectez le sac à herbe avant de l'assemblée pour vous assurer qu'il n'est pas endommagé.
2. Faites glisser le sac à herbe sur le cadre, comme illustré à la Fig. 6a.
3. Assemblez la pince du haut sur le cadre, comme illustré à la Fig. 6b, puis assemblez les deux pinces latérales. Assemblez la pince du bas en dernier.
4. Le sac à herbe complètement assemblé est illustré à la Fig. 6c.

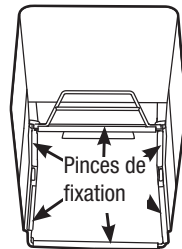
6a



6b



6c



## Fixation/retrait du sac à herbe (Fig. 7)

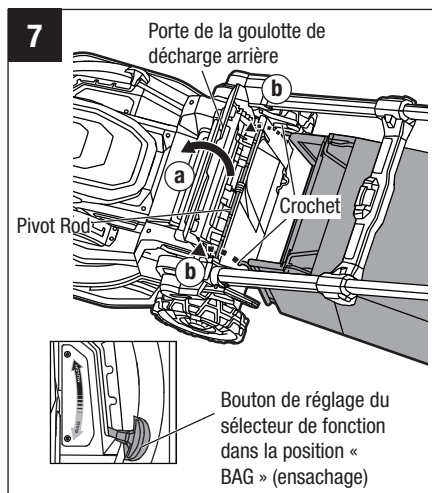
**⚠ AVERTISSEMENT :** Retirez la goulotte de décharge latérale avant d'attacher le sac à herbe à la tondeuse.

**AVIS :** Assurez-vous que le dessous du châssis est propre avant d'utiliser le sac à herbe.

1. Mettez la tondeuse hors tension et retirez le bloc-piles.
2. Placez le bouton de réglage du sélecteur de fonction dans la position « BAG ».
3. Soulevez la porte de la goulotte de décharge arrière.
4. Accrochez le sac à herbe sur la tige pivotante. Relâchez la porte de la goulotte de décharge arrière de telle sorte qu'elle repose sur le sac à herbe.
5. **Pour retirer le sac à herbe**, soulevez la porte d'éjection arrière, puis soulevez le sac à herbe et retirez-le de la tige pivotante.
6. Ouvrez la porte de la goulotte de décharge arrière.

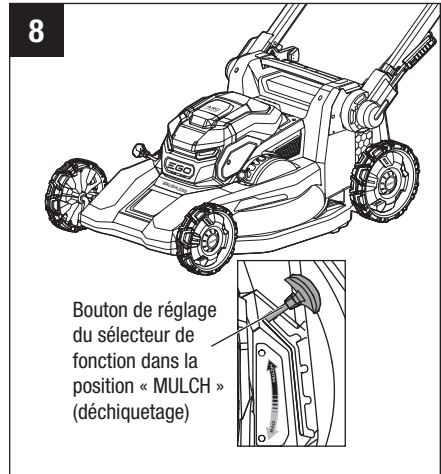
**⚠ AVERTISSEMENT :** Lorsque vous utilisez le sac à herbe, n'utilisez jamais la tondeuse à moins que les deux crochets du sac à herbe ne soient fermement sécurisés sur la tige pivotante et que la porte de la goulotte de décharge arrière repose fermement contre le dessus du sac à herbe.

**⚠ AVERTISSEMENT :** Dans des conditions d'utilisation normale, le matériau du sac à herbe est sujet à usure. Pour réduire le risque de blessure, inspectez fréquemment le sac à herbe et remplacez-le si vous observez des signes d'usure ou de détérioration. Utilisez seulement des sacs à herbe fabriqués pour cette tondeuse.



## DÉCHIQUETAGE COMPLET (Fig. 8)

1. Mettez la tondeuse hors tension et retirez le bloc-piles.
2. Retirez le sac à herbe.
3. Ouvrez la porte de la goulotte de décharge arrière.
4. Placez le bouton de réglage du sélecteur de fonction dans la position « MULCH ».

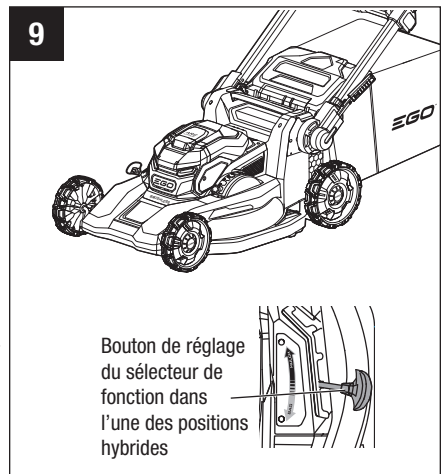


## ENSACHAGE/DÉCHIQUETAGE HYBRIDE (Fig. 9)

1. Mettez la tondeuse hors tension et retirez le bloc-piles.
2. Sécurisez le sac à herbe (voir la section intitulée « Fixation/retrait du sac à herbe »).
3. Placez le bouton de réglage du sélecteur de fonction dans l'une des trois positions hybrides d'ensilage/déchiquetage.

**REMARQUE :** Lorsque le bouton de réglage du sélecteur de fonction est déplacé vers la position « MULCH » (déchiquetage), une plus grande quantité d'herbe est recyclée sur la pelouse.

Lorsque le bouton de réglage du sélecteur de fonction est déplacé vers la position « BAG » (ensilage), une plus grande quantité d'herbe est éjectée par le mécanisme de décharge arrière dans le sac à herbe.



## RÉGLAGE DE LA HAUTEUR DE COUPE (Fig. 10)

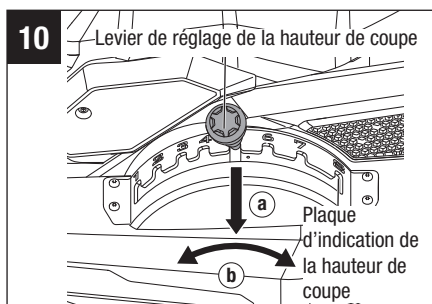
**AVERTISSEMENT :** Gardez vos pieds à distance du châssis lorsque vous êtes en train d'ajuster la hauteur de coupe.

La tondeuse à gazon peut être réglée sur huit hauteurs de coupe comprises entre 25 mm / 1 po et 105 mm / 4 po. Un repère indique la hauteur de coupe sélectionnée.

Choisissez la hauteur de coupe appropriée en fonction du type et de l'état de l'herbe qui doit être coupée.

1. Arrêtez la tondeuse et attendez l'arrêt complet de la lame de coupe.
2. Retirez le bloc-piles.
3. Tirez le levier de réglage de la hauteur de coupe avant ou arrière hors du cran, et mettez-le dans la position souhaitée.

**REMARQUE :** Pour éviter de surcharger le moteur, évitez de régler la hauteur de coupe trop bas dans l'herbe haute. Si la vitesse du moteur commence à ralentir, élevez davantage la hauteur de coupe.



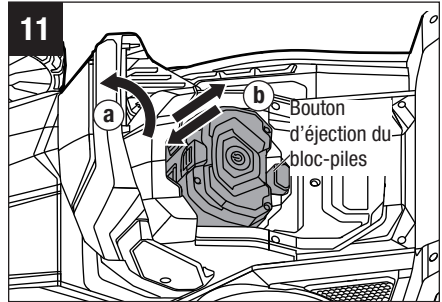
# FONCTIONNEMENT

**⚠ AVERTISSEMENT :** Retirez toujours le bloc-piles de ce produit lorsque vous assemblez des pièces, effectuez des réglages, faites un nettoyage ou n'utilisez pas le produit. Le retrait du bloc-piles empêchera une mise en marche accidentelle qui risquerait de causer des blessures graves.

## ATTACHEMENT / DÉTACHEMENT DU BLOC-PILES (Fig. 11)

**REMARQUE :** Chargez le bloc-piles avant de vous en servir pour la première fois.

1. Levez le couvercle du compartiment des piles en soulevant l'arrière du couvercle.
2. Alignez les rainures dans le bloc-piles sur les nervures du compartiment des piles, puis insérez le bloc-piles dans le compartiment.
3. Enfoncez le bloc-piles jusqu'à ce que vous entendiez un déclic. Le bouton d'éjection des piles rebondira une fois que le bloc-piles aura été attaché de façon sécurisée.



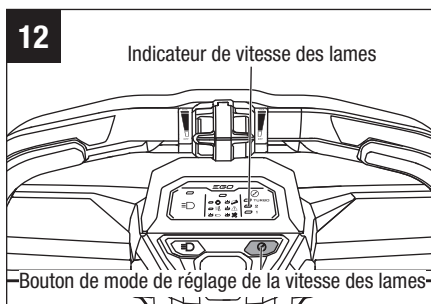
**AVIS :** Assurez-vous que le loquet de verrouillage du compartiment des piles se met bien en place et que le bloc-piles est bien assujéti à la tondeuse avant de commencer à l'utiliser.

4. Pour retirer le bloc-piles, appuyez sur le bouton d'éjection des piles pour relâcher le bloc-piles, puis tirez dessus pour le faire sortir du compartiment.
5. Rabattez le cache du compartiment des piles.

## SÉLECTION DU MODE DE RÉGLAGE DE LA VITESSE DES LAMES (Fig. 12)

## SÉLECTION DU MODE DE RÉGLAGE DE LA VITESSE DES LAMES

La tondeuse à gazon dispose de trois modes de réglage de la vitesse des lames :



- **Le mode TURBO** est un mode de réglage des lames à une vitesse rapide pour produire des performances d'aspiration élevées afin d'améliorer la force d'aspiration ou les performances de coupe.
- **Le mode 2** est le meilleur équilibre entre les performances et l'autonomie de fonctionnement.
- **Le mode 1** permet d'obtenir le niveau sonore le plus bas et la plus longue autonomie de fonctionnement de votre bloc-piles.

**REMARQUE :** Une vitesse de rotation plus élevée de la lame affectera considérablement l'autonomie de fonctionnement.

Sélectionnez le **mode TURBO, 2 ou 1** en appuyant successivement sur le bouton du mode de réglage de la vitesse des lames.

**REMARQUE :** Le mode de réglage de la vitesse des lames par défaut est **2**.

## MISE EN MARCHÉ / ARRÊT DE LA TONDEUSE À GAZON

**⚠ AVERTISSEMENT :** Pendant leur fonctionnement, les tondeuses à gazon peuvent projeter des corps étrangers dans les yeux de leur utilisateur ou d'autres personnes et leur infliger de graves blessures aux yeux. Portez toujours des lunettes de sécurité lorsque vous utilisez la tondeuse ou pendant que vous réalisez de quelconques réglages ou réparations sur la tondeuse.

**⚠ AVERTISSEMENT :** Assurez-vous que les autres personnes et les animaux de compagnie restent à au moins 30 mètres / 100 pi de la tondeuse pendant qu'elle est en train de fonctionner.

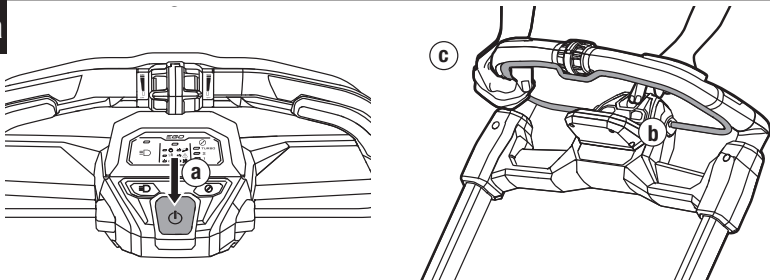
**AVIS :** La lame continue à tourner pendant quelques secondes après l'arrêt du moteur de la tondeuse. Attendez que le moteur/la lame cesse de tourner avant de le remettre en marche. Ne mettez pas la tondeuse en marche et à l'arrêt en succession rapide.

**MISE EN GARDE :** Ne tentez pas de changer les paramètres de fonctionnement du bouton de mise sous tension/hors tension et de l'interrupteur à levier.

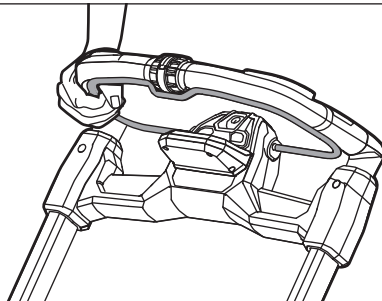
### Mise en marche de la tondeuse (Fig. 13a & 13b)

1. Attachez le bloc-piles de la tondeuse et fermez le couvercle du compartiment des piles.
2. Appuyez sur le bouton de mise sous tension/hors tension pour allumer le tableau de bord et l'indicateur d'état de fonctionnement de la tondeuse -- l'indicateur de vitesse des lames pour le **mode 2** s'allumera alors.
3. Appuyez sur le bouton du mode de réglage de la vitesse des lames pour sélectionner la vitesse souhaitée ; reportez-vous à la section intitulée « **Sélection du mode de réglage de la vitesse des lames** » de ce mode d'emploi.

13a



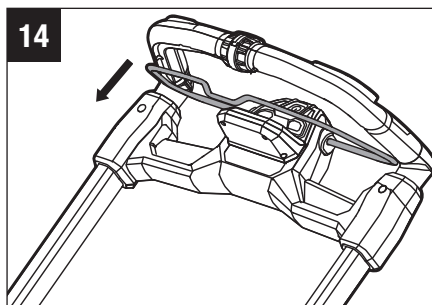
13b



4. Appuyez sur le bouton de mise sous tension/hors tension, et maintenez-le enfoncé.
5. Tout en maintenant le bouton de mise sous tension/hors tension enfoncé, tirez sur l'interrupteur à levier (vers le haut) pour entrer en contact avec la poignée. La tondeuse se mettra alors en marche.
6. Relâchez le bouton de mise sous tension/hors tension.

## Pour arrêter la tondeuse à gazon (Fig. 14)

1. Relâchez complètement l'interrupteur à levier.
2. Le frein électrique du Mécanisme de freinage automatique arrêtera la rotation de la lame dans les trois secondes suivant le relâchement de l'interrupteur à levier.

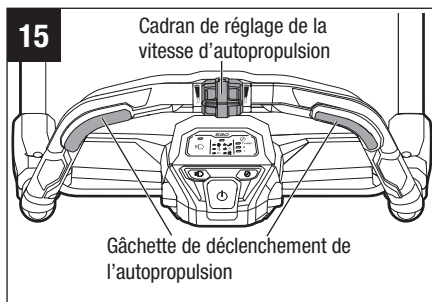


## SYSTÈME D'AUTOPROPULSEUR À VITESSE VARIABLE (Fig. 15)

La tondeuse est équipée d'une fonctionnalité d'autopropulsion à vitesse variable. Pour augmenter la vitesse, tournez le cadran de réglage de la vitesse d'autopropulsion vers l'avant. Pour diminuer la vitesse, tournez le cadran de réglage de la vitesse d'autopropulsion vers l'arrière.

**AVIS :** La fonction d'autopropulsion est désactivée (OFF) lorsque le cadran de réglage de la vitesse d'autopropulsion est tourné vers l'arrière jusqu'à la position la plus basse.

**LORSQUE LA TONDEUSE EST EXPÉDIÉE, LE CADRAN DE RÉGLAGE DE LA VITESSE EST FIXÉ EN USINE SUR LA POSITION LA PLUS BASSE.** Avant de démarrer la fonction d'autopropulsion pour la première fois, tournez légèrement le cadran de réglage de la vitesse d'autopropulsion vers l'avant.



Ce système d'autopropulsion est indépendant de la rotation des lames. Par exemple, lorsque vous avez fini de tondre votre pelouse, vous pouvez utiliser le système d'autopropulsion pour reconduire la tondeuse jusqu'à votre emplacement de stockage sans rotation de la lame. Vous pouvez également choisir d'utiliser la tondeuse comme une tondeuse non autopropulsée pour maximiser l'autonomie de fonctionnement des piles.

### **Utilisation du système d'autopropulsion sans rotation des lames :**

Tournez légèrement le cadran de réglage de la vitesse d'autopropulsion vers l'avant jusqu'à ce qu'un déclic se fasse entendre, puis appuyez sur la ou les gâchettes de l'autopropulsion. Il y a deux déclencheurs d'autopropulsion ; appuyez sur l'un des deux pour démarrer la fonction d'autopropulsion.

**Pour arrêter l'autopropulsion**, relâchez la gâchette d'autopropulsion.

### **Utilisation du système d'autopropulsion avec la rotation des lames**

1. Appuyez brièvement sur le bouton de mise sous tension/hors tension pour allumer le tableau de bord.
2. Appuyez sur le bouton du mode de réglage de la vitesse des lames pour sélectionner la vitesse souhaitée.
3. Appuyez sur le bouton de mise sous tension/hors tension.
4. Une fois le bouton de mises sous tension/hors tension enfoncé, tirez l'interrupteur à levier contre la poignée pour mettre la tondeuse en marche, puis relâchez le bouton de mise sous tension/hors tension.
5. Tenez l'interrupteur à levier contre la poignée avec l'une ou l'autre de vos mains. Appuyez sur l'une des deux une ou l'autre des gâchettes du système d'autopropulsion pour activer la fonction d'autopropulsion.
6. En tenant d'une main l'interrupteur à levier et la gâchette d'autopropulsion contre la poignée, utilisez l'autre main pour régler le cadran de commande de la vitesse d'autopropulsion afin de choisir la vitesse désirée.

**AVIS :** Lorsque vous arrêtez la fonction d'autopropulsion, par exemple à la fin d'une rangée, elle peut se bloquer temporairement si vous tirez la tondeuse en arrière. Il suffit alors de pousser légèrement vers l'avant, puis de déplacer la tondeuse selon les besoins.

**AVIS :** Il peut parfois être plus facile de tondre autour d'un objet lorsque la fonction d'autopropulsion est désactivée.

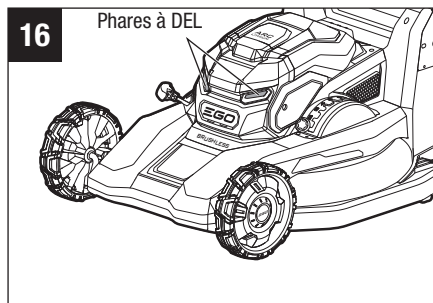
**⚠ AVERTISSEMENT :** Pour réduire le risque de blessure, n'essayez jamais de neutraliser le fonctionnement de l'interrupteur à levier ou du système d'autopropulsion. N'utilisez le système d'autopropulsion que pour l'usage auquel il est destiné.

## PHARES À DEL (Fig. 16)

Les phares à DEL sont situés à l'avant du compartiment des piles (Fig. 16).





**Pour allumer les phares,** appuyez à nouveau sur le bouton de commande des phares à DEL. Les phares fournissent une lumière vive à l'avant de la tondeuse.



**Pour éteindre les phares,** appuyez à nouveau sur le bouton.



## INDICATEURS D'ÉTAT DE FONCTIONNEMENT DE LA TONDEUSE (VOIR Fig. 1b)

Le voyant d'état de fonctionnement de la tondeuse sur le tableau de bord indique l'état de fonctionnement de la tondeuse.

Indicateur	Description	Signification	Action
	Allumé continuellement en vert	La tondeuse à gazon fonctionne correctement.	Aucune action n'est requise.
	Clignotant en vert	Les rails latéraux ne sont pas totalement déployés.	Arrêtez la tondeuse et assurez-vous que les rails latéraux sont complètement déployés.
		La poignée n'est pas verrouillée dans l'une des positions de fonctionnement.	Arrêtez la tondeuse et assurez-vous que la poignée est verrouillée dans l'une des trois positions de fonctionnement.
	Clignotant en rouge	Piles presque déchargées.	Arrêtez la tondeuse et chargez le bloc-piles.
	Allumé continuellement en orange	La tondeuse est en état de surchauffe.	Relâchez l'interrupteur à levier, et attendez que la température de la tondeuse descende en dessous de 80 °C / 176 °F. Voir « <b>PROTECTION DE LA TONDEUSE CONTRE LES HAUTES TEMPÉRATURES</b> » ci-dessous.

Indicateur	Description	Signification	Action
	Clignotant en orange	La tondeuse est en état de surcharge.	<ol style="list-style-type: none"> <li>Commencez par retirer le bloc-piles, puis vérifiez si de l'herbe s'est accumulée sous le châssis. Nettoyez si nécessaire.</li> <li>Ralentissez votre rythme lorsque vous coupez.</li> <li>Élevez la hauteur de coupe.</li> <li>Si aucune de ces solutions ne remédie au problème, veuillez contacter le service à la clientèle d'EGO.</li> </ol> <p>Voir « <b>PROTECTION DE LA TONDEUSE CONTRE LES SURCHARGES</b> » ci-dessous.</p>
	Clignotant en rouge/vert en alternance	Dysfonctionnement de l'électronique de la tondeuse.	Contactez le service à la clientèle d'EGO.

## PROTECTION DE LA TONDEUSE CONTRE LES HAUTES TEMPÉRATURES

Si la température de la tondeuse dépasse 90 °C / 194 °F pendant le fonctionnement, le circuit de protection contre les températures élevées éteint immédiatement la tondeuse pour la protéger contre les dommages causés par la chaleur.

Le voyant d'état de fonctionnement de la tondeuse s'allume et brille en orange fixe. Relâchez la gâchette de rotation des lames et attendez que la tondeuse surchauffée refroidisse et que l'indicateur d'état de fonctionnement devienne vert, puis redémarrez la tondeuse.

## PROTECTION DE LA TONDEUSE CONTRE LES SURCHARGES

Pour éviter toute surcharge, n'essayez pas de retirer trop d'herbe en une seule fois. Ralentissez votre vitesse de coupe ou élevez davantage la hauteur de coupe.

Votre tondeuse est équipée d'un circuit de protection contre les surcharges. Lorsque la tondeuse est en état de surcharge, le moteur s'arrête et le témoin de charge du tableau de bord clignote en orange.

## CONSEILS POUR LA TONTE

**AVIS :** Une lame bien affûtée améliore considérablement la performance de la tondeuse, en particulier lorsque vous coupez des herbes hautes. Vérifiez systématiquement que la lame est bien affûtée avant de commencer à tondre.

- Vérifiez qu'il n'y a pas de grosses pierres, de bâtons, de fils de fer ou d'autres objets sur la pelouse qui risqueraient d'endommager la tondeuse à gazon ou son moteur. De tels objets risqueraient d'être projetés accidentellement par la tondeuse dans une direction imprévisible et causer des blessures graves à l'opérateur ou à d'autres personnes.

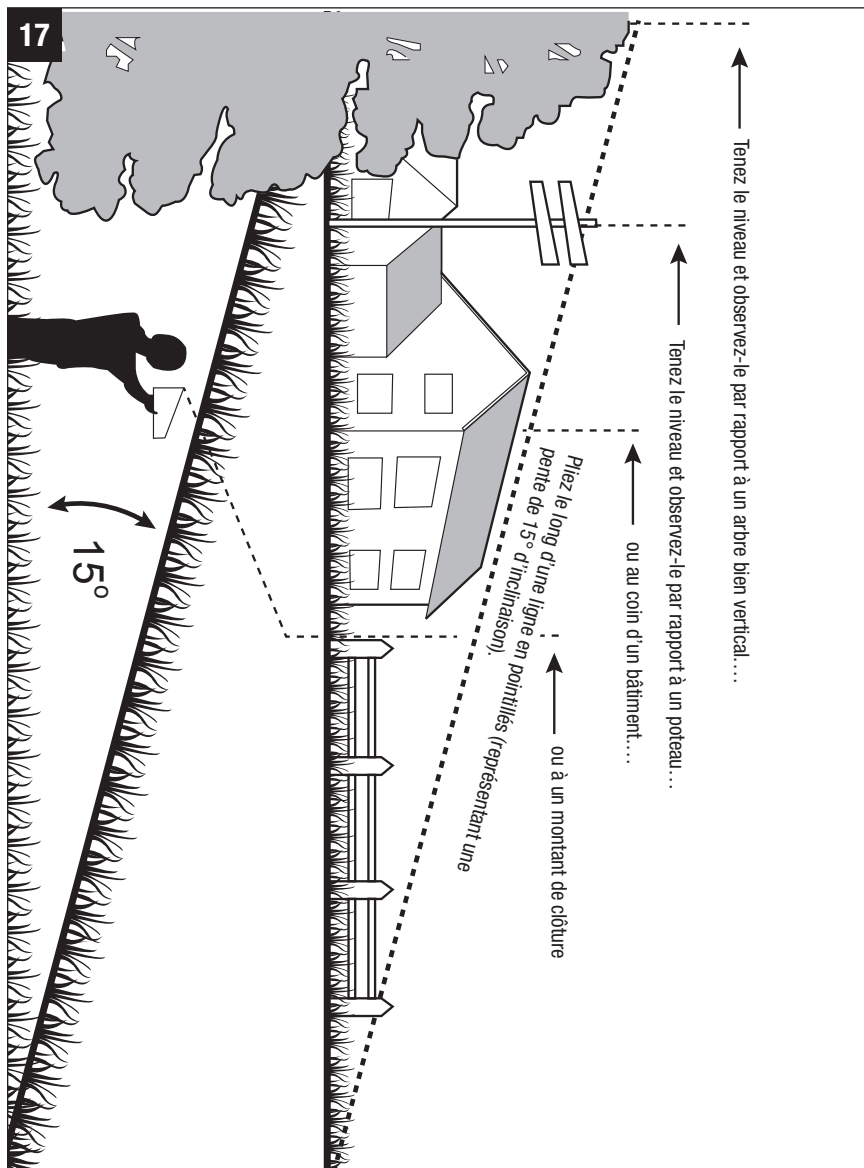
**⚠ AVERTISSEMENT :** Si vous heurtez un corps étranger, arrêtez le moteur et retirez les piles. Inspectez attentivement la tondeuse pour voir si elle a subi un dommage, et réparez-la avant de la remettre en marche et de l'utiliser. Des vibrations excessives de la tondeuse pendant son fonctionnement sont une indication de dommages. La tondeuse doit alors être inspectée et réparée dans les meilleurs délais.

- Pour obtenir les meilleurs résultats possibles, ne tondez pas en cercles. Faites plutôt des allers et retours à travers la pelouse.
- Lorsque vous coupez de l'herbe épaisse, réduisez la vitesse de conduite pour assurer une coupe plus efficace et une décharge appropriée de l'herbe coupée.
- Pour maintenir une pelouse en bon état, coupez seulement un tiers ou moins de la hauteur totale de l'herbe. En règle générale, le gazon doit avoir une hauteur d'environ 38 mm à 53 mm / 1-1/2 po à 2 po pendant les mois frais, et entre 53 et 83 mm / 2 po et 3-1/4 po pendant les mois très chauds.

## JAUGE D'INCLINAISON DE LA PENTE (Fig. 17)

**⚠ AVERTISSEMENT :** Ne tondez pas le gazon sur une pente ayant une inclinaison de plus de 15° (montant d'environ 0,75 m / 2-1/2 pi tous les 3 m / 10 pi. Tondez horizontalement / latéralement sur des pentes ; ne tondez jamais vers le haut et vers le bas.

Utilisez la Fig. 17 comme guide pour identifier les pentes qui ne peuvent pas être tondues en toute sécurité.



## CONSEILS RELATIFS AU DÉCHIQUETAGE

**⚠ AVERTISSEMENT :** Inspectez la zone où vous comptez utiliser la tondeuse, et retirez les pierres, les bâtons, les fils de fer et autres débris qui pourraient être projetés par la lame en rotation.

- Relâchez la gâchette de réglage de la rotation des lames pour arrêter les lames de la tondeuse lorsque vous traversez une surface couverte de gravier – des pierres pourraient être projetées par des lames en rotation.
- Réglez la tondeuse sur la hauteur de coupe la plus haute lorsque vous avancez sur un terrain irrégulier ou avec des herbes hautes.
- Pour effectuer un déchiquetage efficace, ne coupez pas d'herbe mouillée ; l'herbe mouillée a tendance à adhérer au-dessous du châssis, ce qui nuit au déchiquetage approprié des morceaux d'herbe coupés. Le meilleur moment pour tondre du gazon est vers la fin de l'après-midi, lorsque l'herbe est sèche et lorsque la zone à tondre ne sera pas exposée à la lumière directe du soleil.
- Pour obtenir la meilleure performance de déchiquetage possible, réglez la hauteur de coupe de façon à pouvoir retirer environ un tiers de la longueur des brins d'herbe, dans l'idéal pas plus de 38 mm / 1-1/2 po à la fois. Si l'herbe de la pelouse est trop haute, il peut être nécessaire d'augmenter la hauteur de coupe pour permettre de tondre plus facilement et pour ne pas risquer de surcharger le moteur. Ralentissez la vitesse lorsque l'herbe est très haute ou très épaisse. Pour déchiqueter de l'herbe extrêmement épaisse ou haute, il est conseillé de commencer à tondre à une hauteur de coupe élevée, puis de tondre à nouveau la même zone à la hauteur de coupe normale. Sinon, réalisez des coupes plus étroites et tondez lentement. ASSUREZ-VOUS TOUJOURS QUE LES LAMES SONT BIEN AFFÛTÉES.

## MAINTENANCE

**⚠ AVERTISSEMENT :** Pour éviter des blessures graves, retirez toujours le bloc-piles de la tondeuse lorsque vous la nettoyez ou quand vous effectuez des travaux de maintenance.

**⚠ AVERTISSEMENT :** Lors de toute réparation, n'utilisez que des pièces de rechange identiques. L'utilisation de toutes autres pièces de rechange pourrait créer un danger ou endommager le produit. Pour assurer la sécurité et la fiabilité, toutes les réparations doivent être effectuées par un technicien de service qualifié.

### REPLACEMENT DES LAMES

**⚠ AVERTISSEMENT :** Protégez-vous toujours les mains en portant des gants épais ou en enveloppant les bords coupants avec des chiffons ou d'autres matériaux lorsque vous effectuez des opérations de maintenance sur la lame de la tondeuse à gazon. Retirez toujours le bloc-piles lorsque vous effectuez une opération d'entretien ou lorsque vous transportez la tondeuse à gazon.

**AVIS :** Les outils suivants (non inclus) sont nécessaires pour remplacer les lames :

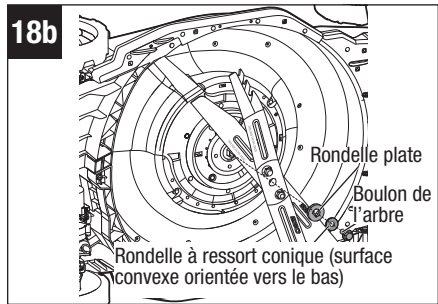
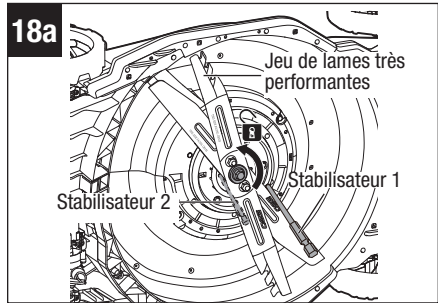
- Clé réglable de 14 mm / 9/16 po (une clé à chocs avec une douille de 14 mm / 9/16 po est recommandée)
- Clé dynamométrique avec douille de 14 mm / 9/16 po
- Tournevis manuel ou tige en métal d'un diamètre de 8 mm / 5/16 po ou moins
- Tournevis manuel ou tige en métal d'un diamètre de 6,35 mm / 1/4 po ou moins

## Remplacement du jeu de lames

### Retrait du jeu de lames

La Fig. 18a montre le jeu de lames très performantes.

1. Arrêtez le moteur, et retirez le bloc-piles et le sac à herbe de la tondeuse à gazon.
2. Mettez la tondeuse sur son côté.
3. Insérez une tige en métal (stabilisateur 1) de 8 mm / 5/16 po de diamètre ou moins dans le trou du stabilisateur pour empêcher le jeu de lames de tourner lorsque l'on desserre le boulon de l'arbre.
4. Utilisez la clé de 14 mm / 9/16 po pour tourner le boulon de l'arbre **DANS LE SENS INVERSE DES AIGUILLES D'UNE MONTRE** afin de desserrer et de retirer le boulon de l'arbre (Fig. 18a).



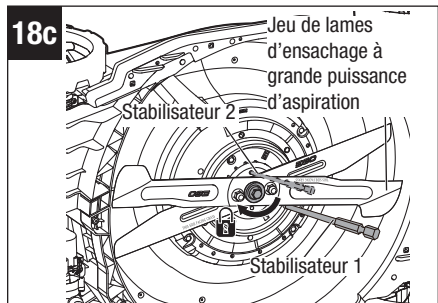
**AVIS :** Si le boulon de l'arbre tourne avec l'arbre du moteur pendant que vous êtes en train de le desserrer, placez une autre tige en métal de diamètre inférieur à 6,35 mm / 1/4 po à l'intérieur du trou dans le ventilateur pour servir de stabilisateur 2.

5. Retirez la rondelle à ressort conique, la rondelle plate et le jeu de lames (schéma 18b).
6. Laissez le ventilateur sur l'arbre du moteur.

### Remplacement du jeu de lames

La Fig. 18c montre le jeu de lames d'ensilage à grande puissance d'aspiration (non incluses).

**AVIS :** Pour réinstaller ou remplacer le jeu de lames, assurez-vous que toutes les pièces sont remises en place dans l'ordre exact dans lequel elles avaient été retirées.



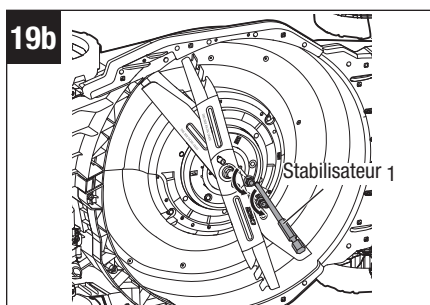
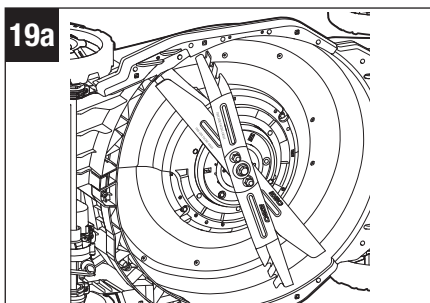
7. Positionnez le jeu de lames sur la bride de fixation intérieure du ventilateur, la surface inférieure de la lame sur laquelle figure la mention « **THIS SIDE FACING GRASS** » (Ce côté face à l'herbe) étant orientée vers l'extérieur.
8. Alignez la rondelle plate avec l'arbre du moteur et assemblez-la en place.
9. Placez la rondelle à ressort conique sur le boulon de l'arbre avec la surface convexe orientée vers le bas, puis montez le boulon de l'arbre dans l'arbre et serrez le boulon à la main **DANS LE SENS DES AIGUILLES D'UNE MONTRE** (schéma 18b).
10. Insérez la tige en métal (stabilisateur 1) à l'appui comme indiqué à la Fig. 18c.
11. Utilisez la clé dynamométrique de 14 mm / 9/16 po pour serrer le boulon de l'arbre **DANS LE SENS DES AIGUILLES D'UNE MONTRE**. Le couple recommandé pour le boulon de fixation du jeu de lames est de 50-60 Nm / 36-43 pi-lb.

**AVIS :** Si le boulon de l'arbre tourne avec l'arbre du moteur lors du serrage du boulon, placez une autre petite tige en métal pour servir de stabilisateur 2.

## Remplacement des lames séparément

### Retrait des lames

1. Arrêtez le moteur ; retirez le bloc-piles de la tondeuse à gazon.
2. Mettez la tondeuse sur son côté (Fig. 19a).
3. Portez des gants de protection. Insérez la tige en métal d'un diamètre de 8 mm / 5/16 po dans l'orifice du stabilisateur (stabilisateur 1) pour bloquer les lames. Utilisez la clé de 14 mm / 9/16 po pour desserrer et retirer les deux écrous (Fig. 19b). **CONSERVEZ LES DEUX ÉCROUS EN VUE DU RÉASSEMBLAGE DES LAMES ULTÉRIEUREMENT.**



- Utilisez la clé pour desserrer et retirer le boulon de l'arbre, la rondelle à ressort conique et la rondelle plate (schéma 19c).

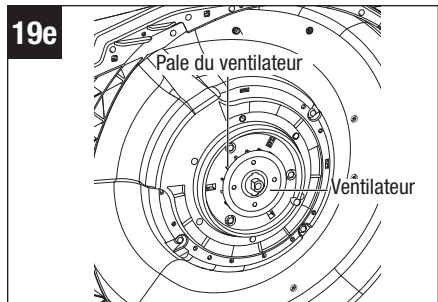
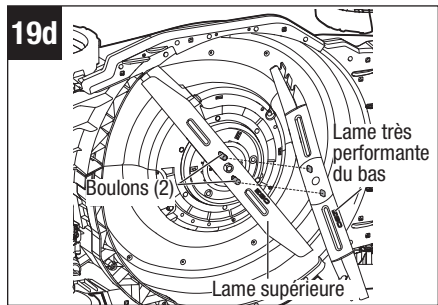
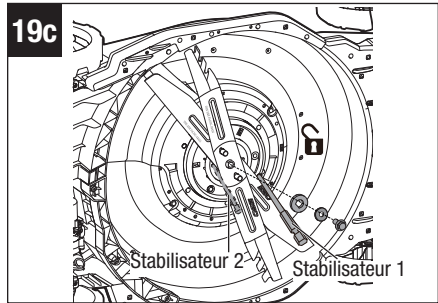
**AVIS :** Si le boulon de l'arbre tourne avec l'arbre du moteur pendant que vous êtes en train de le desserrer, placez une autre tige en métal de diamètre inférieur à 6,35 mm / 1/4 po à l'intérieur du petit trou dans le ventilateur pour servir de stabilisateur 2.

- Retirez la lame très performante du bas et la lame du haut de l'arbre du moteur (Fig. 19d). Retirez les deux boulons de la lame supérieure.

**CONSERVEZ LES DEUX BOULONS EN VUE DU RÉASSEMBLAGE DES LAMES ULTÉRIEUREMENT.**

- Laissez le ventilateur sur l'arbre du moteur. Assurez-vous que la pale du ventilateur est orientée vers le châssis (Fig. 19e).

**AVIS :** Pour réinstaller ou remplacer la lame ou les lames, veillez à assembler les pièces dans l'ordre exact dans lequel elles ont été retirées, en vous assurant notamment que les mentions « THIS SIDE FACING GRASS » (Ce côté face à l'herbe) sur la lame supérieure et sur la lame inférieure sont tournées vers l'extérieur.

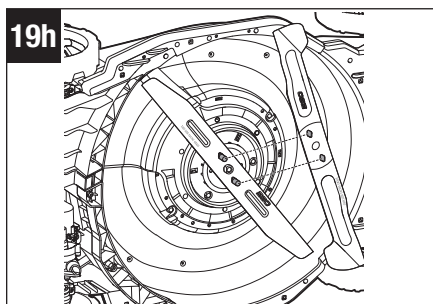
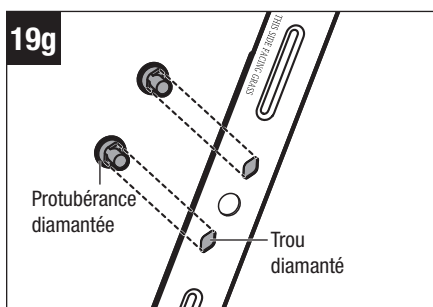
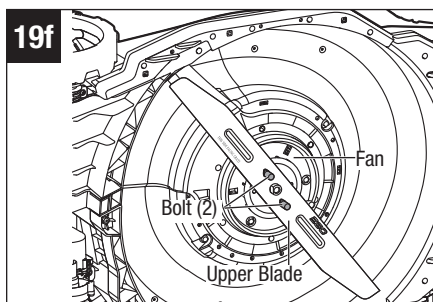


7. Portez des gants de protection.
8. Insérez les deux boulons dans la lame supérieure depuis le côté arrière indiquant « **THIS SIDE FACING GRASS** » (Ce côté face à l'herbe), puis positionnez la lame supérieure sur l'arbre du moteur (Fig. 19f).

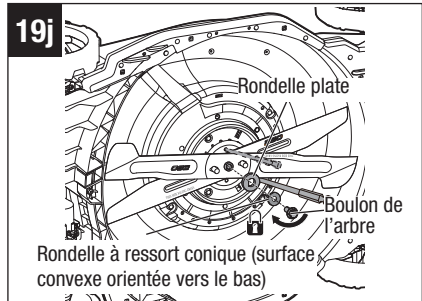
**AVIS :** La protubérance diamantée sur les boulons doit être alignée sur le trou diamanté de la lame supérieure (Fig. 19g).

9. En fonction de ce que vous souhaitez, montez la lame inférieure choisie sur l'arbre du moteur (voir le chapitre intitulé « **SYSTÈME DE COUPE SELECT CUT™** » dans ce mode d'emploi). La Fig. 19h est une illustration de la lame inférieure d'ensachage à grande puissance d'aspiration.

**AVIS :** Le trou diamanté de la lame inférieure doit s'emboîter dans la saillie diamantée des boulons.

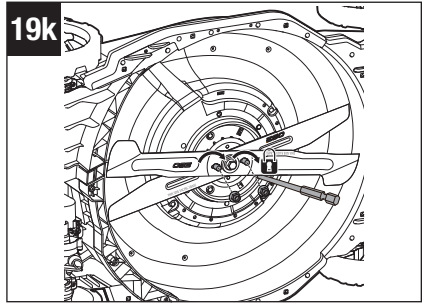


10. Insérez la tige métallique pour bloquer les lames, placez la rondelle à ressort conique sur le boulon de l'arbre avec la surface convexe orientée vers le bas, puis installez la rondelle plate et le boulon de l'arbre sur l'arbre du moteur et serrez le boulon de l'arbre à la main **DANS LE SENS DES AIGUILLES D'UNE MONTRE**. Serrer le boulon de l'arbre à 36-43 pi-lb (50-60 Nm) (schéma 19j).



**AVIS :** Si le boulon de l'arbre tourne avec l'arbre du moteur pendant le serrage, placez une autre tige en métal dans le petit trou du ventilateur pour servir de stabilisateur 2.

11. Installez les deux écrous sur les boulons et serrez-les à la main **DANS LE SENS DES AIGUILLES D'UNE MONTRE**. Serrez les deux écrous à 30 Nm / 22 pi-lb (Fig. 19k).



## AFFÛTAGE DES LAMES

**⚠ AVERTISSEMENT :** Protégez-vous toujours les mains en portant des gants épais ou en enveloppant les bords coupants avec des chiffons ou d'autres matériaux lorsque vous effectuez des opérations de maintenance sur la lame de la tondeuse à gazon. Retirez toujours le bloc-piles lorsque vous effectuez une opération d'entretien ou lorsque vous transportez la tondeuse à gazon.

**⚠ AVERTISSEMENT :** Utilisez une protection oculaire appropriée lorsque vous retirez, affûtez et installez les lames.

**⚠ AVERTISSEMENT :** Une lame usée, fissurée ou endommagée peut se casser, et des morceaux de la lame endommagée peuvent devenir des projectiles dangereux. La projection d'objets peut causer des blessures graves. Inspectez régulièrement la lame et ne vous servez pas de la tondeuse si la lame est usée ou endommagée.

**AVIS :** Gardez la lame affûtée pour obtenir les meilleures performances de la tondeuse. Une lame émoussée ne permet pas de couper l'herbe proprement ni de déchiqeter correctement.

Une lame émoussée peut être affûtée, mais une lame excessivement usée, pliée, fissurée ou autrement endommagée doit être remplacée. Une lame usée ou endommagée peut se briser, et des morceaux de lame peuvent être projetés hors de la tondeuse.

Si la lame est déformée, faites inspecter la tondeuse par un centre de service agréé EGO.

### Fréquence d'affûtage

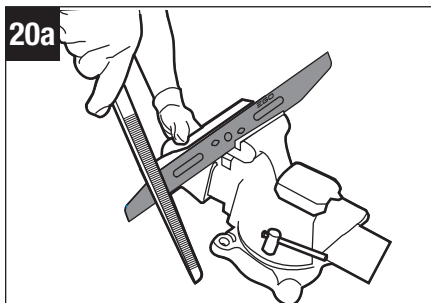
Il suffit généralement d'affûter la lame à deux reprises pendant une saison de tonte dans des circonstances normales. Le sable émousse rapidement une lame ; si votre pelouse pousse sur un sol avec beaucoup de sable, un affûtage plus fréquent peut être nécessaire.

### Lors de l'affûtage de la lame :

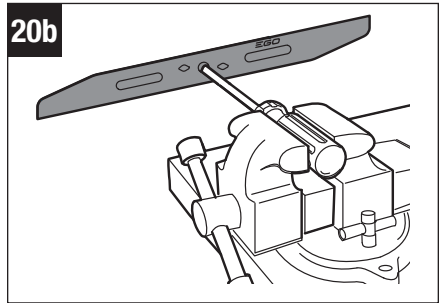
- Assurez-vous que la lame est bien équilibrée.
- Affûtez la lame de coupe à l'angle de coupe d'origine.
- Affûtez les bords de coupe aux deux extrémités de la lame en retirant une quantité de matériau égale à chaque extrémité.

### Pour affûter une lame dans un étau :

1. Retirez la lame de la tondeuse.
2. Sécurisez la lame dans un étau (Fig. 20a).
3. Portez une protection des yeux appropriée ainsi que des gants, et faites attention de ne pas vous couper.
4. Affûtez les bords de coupe de la lame avec précaution en utilisant une lime à dents fines ou une pierre à aiguiser, et veillez à conserver l'angle du bord de coupe d'origine.



5. Pour vérifier l'équilibre de la lame : fixez un clou ou un tournevis à tige ronde en position horizontale. Positionnez la lame de manière à ce que le clou ou la tige ronde du tournevis soutienne la lame par son trou central. Équilibrez la lame horizontalement. Si l'une des extrémités de la lame tourne vers le bas, retirez un peu de métal de l'extrémité la plus lourde ou inférieure jusqu'à ce que la lame soit équilibrée. Elle est équilibrée lorsqu'aucune des deux extrémités ne donne l'impression de s'affaisser (Fig. 20b).



6. Remettez la lame sur la tondeuse et serrez-la bien.

**⚠ AVERTISSEMENT :** Une lame mal équilibrée causera des vibrations excessives quand elle tournera à une vitesse élevée. Elle pourrait endommager la tondeuse et se casser, causant éventuellement des blessures.

## LUBRIFICATION DE LA TONDEUSE

Tous les roulements de ce produit sont lubrifiés avec une quantité suffisante de lubrifiant de haute qualité pour la durée de vie de la machine si elle est utilisée dans des conditions de fonctionnement normales. Par conséquent, aucune lubrification supplémentaire des roulements n'est nécessaire.

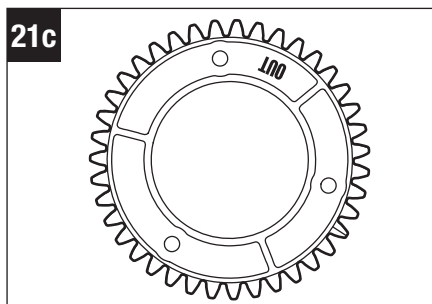
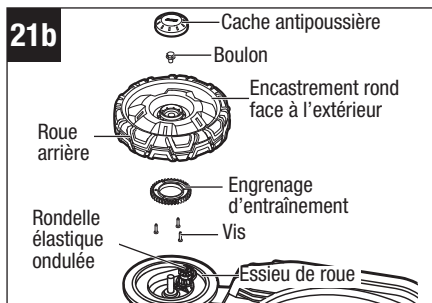
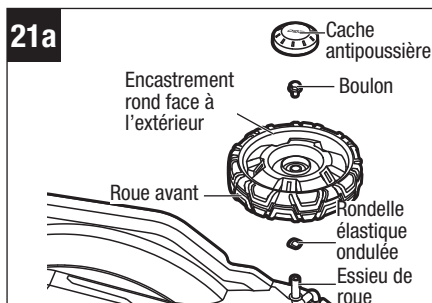
## REPLACEMENT DES ROUES (Fig. 21a, 21b et 21c)

**⚠ AVERTISSEMENT :** Retirez toujours le bloc-piles lorsque vous effectuez une opération d'entretien ou lorsque vous transportez la tondeuse à gazon.

1. Tournez la tondeuse sur le côté, avec la partie supérieure contre un mur.
2. Utilisez un tournevis à lame plate (non inclus) pour dégager le cache antipoussière de la roue.
3. Utilisez une clé réglable ou une clé de 13 mm / 1/2 po pour tourner le boulon dans le sens inverse des aiguilles d'une montre afin de le desserrer.
4. Retirez le boulon, la roue usée et la rondelle ondulée de l'axe de roue.

### REMARQUE :

- Lorsque vous remplacez la roue arrière, retirez le pignon d'entraînement de la roue usée et montez-le sur la nouvelle roue à l'aide des trois vis en utilisant un tournevis Torx T20 (non inclus).
  - Lors du montage de l'engrenage d'entraînement, la surface de l'engrenage portant la mention « OUT » doit être orientée vers l'extérieur (Fig. 21c).
5. Montez la rondelle ondulée et la nouvelle roue sur l'arbre de roue. Notez que l'évidement rond doit être tourné vers l'extérieur.



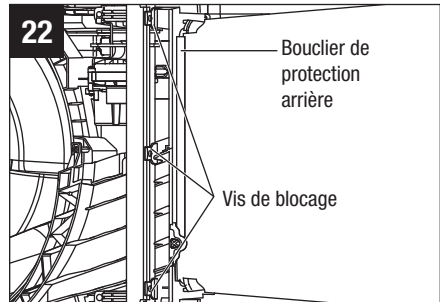
6. Sécurisez la roue avec le boulon en serrant le boulon dans le sens des aiguilles d'une montre.
7. Montez le cache-poussière sur la roue et appuyez dessus pour le mettre en place.

## REPLACEMENT DU BOUCLIER DE PROTECTION ARRIÈRE (Fig. 22)

**AVERTISSEMENT :** Retirez toujours le bloc-piles lorsque vous effectuez une opération d'entretien ou lorsque vous transportez la tondeuse à gazon.

**AVERTISSEMENT :** N'utilisez jamais la tondeuse si le bouclier de protection

n'est pas en place et ne fonctionne pas. N'utilisez jamais la tondeuse si certains de ses dispositifs de sécurité sont endommagés. Sinon, vous risqueriez de causer des blessures. Le bouclier arrière est sujet à l'usure et aux dommages, ce qui pourrait exposer les pièces mobiles ou permettre la projection d'objets. Pour des raisons de sécurité, vérifiez fréquemment le bouclier de protection arrière et remplacez-le immédiatement par une pièce de rechange identique indiquée dans ce mode d'emploi.



1. Retirez la pile.
2. Tournez la tondeuse sur le côté, avec la partie supérieure contre le mur.
3. Utilisez un tournevis Torx T20 (non inclus) pour desserrer et retirer les trois vis de blocage du bouclier de protection arrière ; retirez le bouclier de protection arrière usé (Fig. 22).
4. Remplacez-le par un nouveau bouclier de protection arrière et fixez-le avec les trois vis de blocage.

## RANGEMENT DE LA TONDEUSE

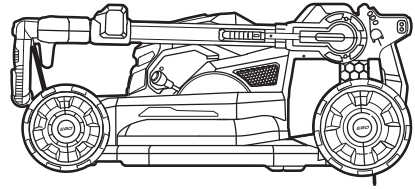
Les mesures suivantes doivent être prises pour préparer la tondeuse à gazon en vue de son stockage.

1. Retirez le bloc-piles de la tondeuse et rangez-le à température ambiante dans un endroit sec.
2. Videz le sac à herbe avant de ranger la machine.
3. Laissez toujours la tondeuse refroidir avant de la ranger.
4. Nettoyez la tondeuse comme décrit précédemment dans la section consacrée à la **MAINTENANCE**.
5. Inspectez la lame et remplacez-la ou affûtez-la si nécessaire.
6. Rangez la tondeuse dans un endroit sec et propre. Ne la rangez pas à côté de matériaux corrosifs tels que des engrais ou du sel gemme.
7. Rangez la tondeuse dans un endroit couvert et fermé, frais et sec, hors de portée des enfants.
8. Ne couvrez pas la tondeuse à gazon avec une feuille de plastique solide. Les emballages en plastique capturent l'humidité autour de la tondeuse, ce qui produit de la rouille et de la corrosion.

## La poignée peut être complètement repliée pour être rangée :

1. Retirez le sac à herbe.
2. Déplacez le levier de réglage de la hauteur de coupe vers l'avant et engagez-le dans la position la plus basse (position 1).
3. Ouvrez la pince de verrouillage de la poignée et rentrez complètement les rails latéraux en position compacte.
4. Appuyez sur le levier de réglage rapide d'une main et maintenez-le enfoncé pour libérer la poignée. Faites pivoter doucement la poignée vers l'avant de la tondeuse ; relâchez le levier de réglage rapide et continuez à faire pivoter la poignée jusqu'à ce que vous entendiez et sentiez la goupille de verrouillage s'engager dans la position de rangement verrouillée.
5. Rangez la tondeuse à plat ou en position verticale (Fig. 23a & 23b).

23a



23b



**⚠ AVERTISSEMENT :** Si la tondeuse bascule depuis la position verticale, elle risque d'être endommagée ou de provoquer des blessures. Gardez toujours la tondeuse stable et hors de portée des enfants lorsqu'elle est en position verticale. Si possible, posez-la à plat pour la ranger.

## RECHERCHE DE LA CAUSE DES PROBLÈMES

PROBLÈME	CAUSE	SOLUTION
La tondeuse ou le système d'autopropulsion ne démarre pas.	<ul style="list-style-type: none"> <li>Le bloc-piles est déchargé.</li> </ul>	<ul style="list-style-type: none"> <li>Chargez le bloc-piles.</li> </ul>
	<ul style="list-style-type: none"> <li>Le bloc-piles n'a pas été inséré correctement dans le compartiment de la pile.</li> </ul>	<ul style="list-style-type: none"> <li>Insérez le bloc-piles dans le compartiment des piles et appuyez dessus jusqu'à ce que vous entendiez un déclic.</li> </ul>
	<ul style="list-style-type: none"> <li>La poignée n'est pas verrouillée en position de fonctionnement, et le voyant d'état de fonctionnement de la tondeuse clignote en vert.</li> </ul>	<ul style="list-style-type: none"> <li>Arrêtez la tondeuse et assurez-vous que la poignée est verrouillée dans l'une des positions de fonctionnement.</li> </ul>
	<ul style="list-style-type: none"> <li>Le châssis de la tondeuse est encombré par de l'herbe et des débris.</li> </ul>	<ul style="list-style-type: none"> <li>Nettoyez le châssis de la tondeuse et assurez-vous que la lame tourne librement.</li> </ul>
	<ul style="list-style-type: none"> <li>Le sélecteur de vitesse d'autopropulsion est sur la position la plus basse (OFF).</li> </ul>	<ul style="list-style-type: none"> <li>Tournez légèrement le cadran de réglage de la vitesse d'autopropulsion vers l'avant, puis appuyez sur la gâchette de l'autopropulseur.</li> </ul>
La tondeuse coupe de manière irrégulière.	<ul style="list-style-type: none"> <li>La lame est émoussée.</li> </ul>	<ul style="list-style-type: none"> <li>Affûtez la lame ou remplacez-la.</li> </ul>
	<ul style="list-style-type: none"> <li>La hauteur de coupe de l'herbe n'est pas réglée correctement.</li> </ul>	<ul style="list-style-type: none"> <li>Réglez la hauteur du châssis à un niveau plus élevé.</li> </ul>
	<ul style="list-style-type: none"> <li>La lame est mal installée.</li> </ul>	<ul style="list-style-type: none"> <li>Remontez la lame en suivant les instructions de la section intitulée « <b>INSTALLATION DES LAMES</b> » dans ce mode d'emploi.</li> </ul>
	<ul style="list-style-type: none"> <li>Le mode de réglage de la vitesse des lames n'est pas configuré correctement.</li> </ul>	<ul style="list-style-type: none"> <li>Sélectionnez un mode de réglage de la vitesse des lames plus approprié.</li> </ul>

PROBLÈME	CAUSE	SOLUTION
<p>L'autonomie de fonctionnement de la tondeuse avec la pile incluse est courte.</p>	<ul style="list-style-type: none"> <li>■ L'état de l'herbe et le réglage de la hauteur de coupe affectent dans une large mesure l'autonomie de fonctionnement de la tondeuse à piles. L'autonomie de fonctionnement indiquée est basée sur des conditions de charge légère.</li> </ul>	<ul style="list-style-type: none"> <li>■ Élevez la hauteur de la lame et ralentissez la vitesse de rotation de la lame pour réduire la charge de coupe.</li> </ul>
	<ul style="list-style-type: none"> <li>■ Le mode de réglage de la vitesse des lames n'est pas configuré correctement.</li> </ul>	<ul style="list-style-type: none"> <li>■ Sélectionnez un mode de réglage de la vitesse des lames plus lent.</li> </ul>
<p>La tondeuse ne déchiquette pas correctement.</p>	<ul style="list-style-type: none"> <li>■ Des déchets de tonte mouillés adhèrent au-dessous du châssis.</li> </ul>	<ul style="list-style-type: none"> <li>■ Attendez que l'herbe sèche avant de la tondre.</li> </ul>
	<ul style="list-style-type: none"> <li>■ La tondeuse est paramétrée pour couper trop d'herbe à la fois.</li> </ul>	<ul style="list-style-type: none"> <li>■ Relevez le châssis à une hauteur de coupe plus élevée.</li> </ul>
	<ul style="list-style-type: none"> <li>■ Le mode de réglage de la vitesse des lames n'est pas configuré correctement.</li> </ul>	<ul style="list-style-type: none"> <li>■ Configurez la vitesse de rotation des lames sur un réglage inférieur.</li> </ul>

PROBLÈME	CAUSE	SOLUTION
<p>La tondeuse s'arrête de façon inattendue pendant la tonte.</p>	<ul style="list-style-type: none"> <li>■ Le bloc-piles est déchargé.</li> </ul>	<ul style="list-style-type: none"> <li>■ Chargez le bloc-piles.</li> </ul>
	<ul style="list-style-type: none"> <li>■ La tondeuse est surchargée et l'indicateur d'état de fonctionnement de la tondeuse clignote en orange.</li> </ul>	<ul style="list-style-type: none"> <li>■ Vérifiez si de l'herbe s'est accumulée sous le châssis, et nettoyez-le si nécessaire. Augmentez la hauteur de coupe ou ralentissez la vitesse de tonte.</li> </ul>
	<ul style="list-style-type: none"> <li>■ Le châssis de tondeuse est encombré par de l'herbe et des débris.</li> </ul>	<ul style="list-style-type: none"> <li>■ Désobstruez le châssis de la tondeuse. Augmentez la hauteur de coupe et/ou coupez un andain plus étroit.</li> </ul>
	<ul style="list-style-type: none"> <li>■ Le bloc-piles ou le circuit de la tondeuse à gazon est trop chaud. Si le bloc-piles est en état de surchauffe, l'indicateur d'état de fonctionnement de la tondeuse s'éteint. Si la tondeuse est en état de surchauffe, le voyant d'état de fonctionnement de la tondeuse s'allume en orange fixe.</li> </ul>	<ul style="list-style-type: none"> <li>■ Laissez le bloc-piles ou la tondeuse refroidir.</li> </ul>
	<ul style="list-style-type: none"> <li>■ Le mode de réglage de la vitesse des lames n'est pas configuré correctement.</li> </ul>	<ul style="list-style-type: none"> <li>■ Configurez la vitesse de rotation des lames sur un réglage inférieur.</li> </ul>
	<ul style="list-style-type: none"> <li>■ L'indicateur d'erreur électronique de la tondeuse et l'indicateur d'état de fonctionnement de la tondeuse clignotent alternativement en rouge/vert.</li> </ul>	<ul style="list-style-type: none"> <li>■ Contactez le service à la clientèle d'EGO.</li> </ul>

PROBLÈME	CAUSE	SOLUTION
Les vibrations sont excessives.	<ul style="list-style-type: none"> <li>■ La fixation d'une lame de coupe est mal assujettie.</li> </ul>	<ul style="list-style-type: none"> <li>■ Serrez le boulon de fixation de l'arbre.</li> </ul>
	<ul style="list-style-type: none"> <li>■ La lame de coupe est déséquilibrée.</li> </ul>	<ul style="list-style-type: none"> <li>■ Équilibrez le jeu de lames en suivant les instructions de la section intitulée « <b>AFFÛTAGE DES LAMES</b> ».</li> </ul>
	<ul style="list-style-type: none"> <li>■ Une ou plusieurs lame(s) de coupe est/sont tordue(s).</li> </ul>	<ul style="list-style-type: none"> <li>■ Remplacez la lame ou les lames.</li> </ul>
	<ul style="list-style-type: none"> <li>■ L'arbre du moteur est tordu.</li> </ul>	<ul style="list-style-type: none"> <li>■ Contactez le service à la clientèle d'EGO.</li> </ul>
	<ul style="list-style-type: none"> <li>■ La tondeuse est paramétrée pour couper trop d'herbe à la fois.</li> </ul>	<ul style="list-style-type: none"> <li>■ Relevez le châssis à une hauteur de coupe plus élevée.</li> </ul>
	<ul style="list-style-type: none"> <li>■ Le mode de réglage de la vitesse des lames n'est pas configuré correctement.</li> </ul>	<ul style="list-style-type: none"> <li>■ Configurez la vitesse de rotation des lames sur un réglage inférieur.</li> </ul>
La tondeuse est difficile à tirer en arrière lorsque le système d'autopropulsion est désactivé.	<ul style="list-style-type: none"> <li>■ Les roues sont temporairement bloquées.</li> </ul>	<ul style="list-style-type: none"> <li>■ Il suffit de pousser légèrement vers l'avant ou de relever les roues arrière, puis de déplacer la tondeuse comme vous le souhaitez.</li> </ul>

<b>PROBLÈME</b>	<b>CAUSE</b>	<b>SOLUTION</b>
La tondeuse est difficile à manœuvrer lorsqu'elle contourne un objet ou lorsqu'elle tond en alternance vers l'avant et vers l'arrière lorsque l'autopropulsion est activée.	<ul style="list-style-type: none"><li>■ Les roues sont temporairement bloquées.</li></ul>	<ul style="list-style-type: none"><li>■ Désactivez le système d'autopropulsion.</li></ul>
Le moteur fonctionne, mais les lames ne coupent pas l'herbe.	<ul style="list-style-type: none"><li>■ Le boulon de fixation de l'arbre n'est pas serré au couple requis.</li></ul>	<ul style="list-style-type: none"><li>■ Serrez à nouveau le boulon de fixation de l'arbre. Le couple recommandé est de 50-60 Nm / 36-43 pi-lb.</li></ul>
Difficulté à déplacer le bouton de réglage du sélecteur de fonction d'un côté à l'autre.	<ul style="list-style-type: none"><li>■ Une quantité excessive d'herbe coupée s'est accumulée sur le dessus de la porte coulissante.</li></ul>	<ul style="list-style-type: none"><li>■ Dégagez l'herbe du châssis de la tondeuse après chaque utilisation.</li></ul>

# GARANTIE LIMITÉE D'EGO

## CONDITIONS ET DURÉE DE LA POLITIQUE DE GARANTIE

Chervon North America, Inc. (« Chervon North America ») accorde la Garantie limitée suivante pour les produits EGO à l'acheteur initial de produits EGO.

La période de garantie détaillée de chaque produit EGO est indiquée en ligne à l'adresse <http://egopowerplus.com/warranty-policy>.

**Veillez contacter le Service à la clientèle d'EGO en téléphonant au 1-855-EGO-5656 (appel gratuit)** à tout moment en cas de questions, si vous voulez vous prévaloir de la garantie.

## GARANTIE LIMITÉE DE SERVICE APRÈS-VENTE

Les produits EGO sont garantis contre tout défaut de matériel ou de fabrication à partir de la date d'achat au détail originale et pendant la période de garantie applicable. Pour toute demande de garantie soumise correctement et dans les délais, si Chervon North America détermine qu'un produit est défectueux pendant la période de garantie, le produit sera réparé ou remplacé gratuitement, selon ce qui aura été déterminé par Chervon North America.

## COMMENT OBTENIR DE L'ASSISTANCE DANS LE CADRE DU SERVICE APRÈS-VENTE

Pour obtenir de l'assistance dans le cadre de la garantie (pendant la période de garantie applicable), veuillez contacter le service à la clientèle d'EGO en téléphonant au **1-855-EGO-5656** (appel gratuit). Lorsque vous demandez de l'assistance dans le cadre de la garantie, vous devez présenter le reçu de vente original daté. Un centre de service après-vente agréé sera sélectionné pour évaluer et réparer le produit défectueux conformément aux conditions de garantie énoncées. Lorsque vous apportez votre produit au centre de service après-vente agréé, il se peut qu'une petite caution vous soit demandée lors du dépôt de votre outil. Cette caution est remboursable lorsque le service de réparation est considéré comme étant couvert par la garantie. Il incombe à l'acheteur d'effectuer le transport de tous les équipements électriques d'extérieur ou attachements à ses frais.

## LIMITATIONS ET EXCLUSIONS SUPPLÉMENTAIRES

Cette garantie limitée ne s'applique qu'à l'acheteur initial d'un produit à un revendeur agréé EGO, et elle ne peut pas être cédée. Les produits EGO ne sont pas considérés comme défectueux et la présente garantie ne s'applique pas lorsque le défaut invoqué est imputable à une cause autre que les défauts définis ci-dessus. Cette garantie est nulle et non avenue si le produit a été utilisé à des fins de location. La présente garantie ne s'applique pas aux dommages causés par un accident, un abus, une mauvaise utilisation, une altération, une modification, une réparation non autorisée,

un contact avec un liquide, un incendie, un tremblement de terre ou toute autre cause externe ; par une utilisation du produit en dehors des instructions, spécifications ou directives d'EGO ; ou par un manquement à l'entretien ou à la maintenance convenable du produit. Cette garantie ne s'applique pas non plus aux dommages esthétiques, y compris, mais sans s'y limiter, les rayures ou les bosses, ainsi qu'aux défauts causés par l'usure normale ou autrement dus au vieillissement normal du produit.

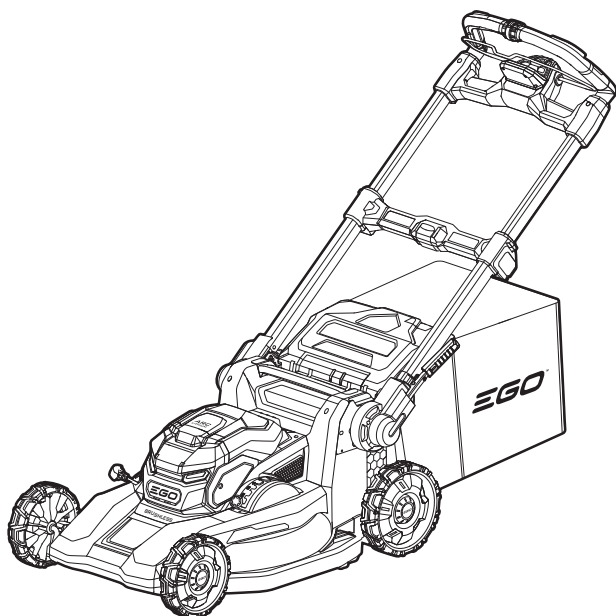
CETTE GARANTIE EXPRESSE EST DONNÉE EN LIEU ET PLACE DE TOUTE AUTRE GARANTIE, EXPRESSE OU IMPLICITE, Y COMPRIS, MAIS SANS S'Y LIMITER, TOUTE GARANTIE DE QUALITÉ MARCHANDE OU D'ADÉQUATION À UN USAGE PARTICULIER, QUI EST REJETÉE. Toute garantie implicite, y compris la garantie de qualité marchande ou d'adéquation à un usage particulier qui ne peut être rejetée en vertu de la loi de l'État ou de la province est limitée à la période de garantie applicable définie au début de cet article. Le seul et unique recours en rapport avec l'achat, l'installation, l'utilisation et/ou la performance des produits EGO est la réparation ou le remplacement du produit selon la décision de Chervon North America. La responsabilité maximale de Chervon North America ne dépassera en aucun cas le prix d'achat payé pour le produit. CHERVON NORTH AMERICA NE SERA PAS RESPONSABLE ENVERS L'UTILISATEUR OU TOUTE AUTRE PERSONNE DES DOMMAGES CONSÉCUTIFS, ACCIDENTELS, SPÉCIAUX, EXEMPLAIRES, INDIRECTS OU PUNITIFS RÉSULTANT DE L'UTILISATION DES PRODUITS, Y COMPRIS, MAIS SANS S'Y LIMITER, LES PRÉJUDICES CORPORELS, LA MORT, LES DOMMAGES MATÉRIELS, LA PERTE DE BÉNÉFICES OU TOUT AUTRE DOMMAGE ÉCONOMIQUE. Cette garantie vous confère des garanties juridiques particulières, et vous pouvez aussi avoir d'autres droits, qui varient selon l'État ou la province. Étant donné que certains États et certaines provinces ne permettent pas de limitations quant à la durée d'une garantie implicite ou ne permettent pas l'exclusion ou la limitation des dommages indirects ou secondaires, ou le délai de prescription pour intenter certaines actions, il est possible que les limitations contenues aux présentes ne s'appliquent pas à consommateurs dans ces États ou provinces.

Cette garantie est soumise au droit du Michigan et doit être interprétée conformément au droit du Michigan sans tenir compte des principes de conflits de lois. Aucune action en justice ne pourra être intentée contre Chervon North America si elle n'est pas déposée dans un délai d'un (1) an après que le fondement de cette action en justice aura été connu, ou qu'il aurait dû l'être si une diligence raisonnable avait été exercée. Toute action non intentée dans les délais est réputée abandonnée.

Pour le service à la clientèle, contactez-nous en téléphonant au numéro suivant (appel gratuit) : **1-855-EGO-5656** ou **EGOPOWERPLUS.COM**.  
EGO Customer Service,  
769 Seward Ave. NW, Suite 102,  
Grand Rapids, Michigan 49504.

# EGO™

POWER<sup>+</sup> MOWER



MANUAL DE OPERACIONES  
**CORTADORA DE CÉSPED DE 22  
PULGADAS INALÁMBRICA DE  
ION LITIO DE 56 V**

NÚMERO DE MODELO LM2230SP/LM2230SP-FC

**⚠ ADVERTENCIA:** Para reducir el riesgo de lesiones, el usuario debe leer y comprender el Manual del usuario antes de usar el producto. Guarde estas instrucciones para consultarlas en el futuro.

# ¡LEA TODAS LAS INSTRUCCIONES!



LEA Y ENTIENDA EL  
MANUAL DEL OPERADOR

## ÍNDICE

Símbolos de seguridad .....	123
Símbolos .....	124-125
Advertencias de seguridad para el cortacésped .....	126-131
Normas adicionales para el cortacésped .....	131-134
Introducción .....	135
Especificaciones .....	135-136
Accesorios recomendados .....	136
Descripción .....	137-141
Ensamblaje .....	142-153
Utilización .....	154-164
Mantenimiento .....	165-176
Resolución de problemas .....	177-181
Garantía Limitada de EGO .....	182-184

# SÍMBOLOS DE SEGURIDAD

La finalidad de los símbolos de seguridad es atraer la atención del usuario hacia posibles peligros. Los símbolos de seguridad y las explicaciones que los acompañan merecen que usted preste una atención detenida y logre una comprensión profunda. Las advertencias con símbolo no eliminan por sí mismas ningún peligro. Las instrucciones y las advertencias que dan no son sustitutos de las medidas adecuadas de prevención de accidentes.

**⚠ ADVERTENCIA:** Asegúrese de leer y entender todas las instrucciones de seguridad contenidas en este manual del operador, incluyendo todos los símbolos de alerta de seguridad, tales como “**PELIGRO**”, “**ADVERTENCIA**” y “**PRECAUCIÓN**”, antes de utilizar esta herramienta. Si no se siguen todas las instrucciones que se indican a continuación, es posible que el resultado sea descargas eléctricas, incendio y/o lesiones corporales graves.

Las definiciones que aparecen a continuación describen el nivel de gravedad de cada palabra de aviso. Por favor, lea el manual y preste atención a estos símbolos.	
	Este es el símbolo de alerta de seguridad. Se utiliza para alertarle a usted de posibles peligros de lesiones corporales. Obedezca todos los mensajes de seguridad que sigan a este símbolo para evitar posibles lesiones o la muerte.
<b>⚠ PELIGRO</b>	PELIGRO indica una situación peligrosa que, si no se evita, causará la muerte o lesiones graves.
<b>⚠ ADVERTENCIA</b>	ADVERTENCIA indica una situación peligrosa que, si no se evita, podría causar la muerte o lesiones graves.
<b>⚠ PRECAUCIÓN</b>	PRECAUCIÓN, utilizada con el símbolo de alerta de seguridad, indica una situación peligrosa que, si no se evita, podría causar lesiones leves o moderadas.

## MENSAJES DE PREVENCIÓN DE DAÑOS E INFORMACIÓN



Estos mensajes ofrecen al usuario información e/o instrucciones importantes que hay que seguir para no causar daños al equipo u otros daños materiales. Cada mensaje va precedido por la palabra “**AVISO**”, como en el ejemplo que aparece a continuación:

**AVISO:** Si no se siguen estas instrucciones se pueden producir daños al equipo y/o daños materiales.

# SÍMBOLOS

Esta página muestra y describe los símbolos de seguridad que es posible que aparezcan en este producto. Lea, entienda y siga todas las instrucciones que se encuentran en la máquina antes de intentar ensamblarla y utilizarla.

	Alerta de seguridad	Indica un peligro potencial de lesiones corporales.
	Use protección auditiva	Utilice siempre barreras acústicas (tapones u orejeras) para proteger su audición.
	Lea y entienda el manual del operador	Para reducir el riesgo de lesiones, el usuario debe leer y entender el manual del operador antes de utilizar este producto.
	ADVERTENCIA - Mantenga las manos y los pies alejados de las cuchillas	Alerta a los usuarios para que mantengan las manos y los pies alejados de las cuchillas.
	ADVERTENCIA - Desconecte la batería antes del mantenimiento	Alerta a los usuarios para que desconecten la batería antes del mantenimiento.
	DANGER — Gardez vos mains et vos pieds éloignés	Alerta a los usuarios para que mantengan las manos y los pies alejados.
	ADVERTENCIA - Cuidado con los objetos arrojados - Mantenga alejados a los transeúntes	Alerta a los usuarios para que tengan cuidado con los objetos arrojados y mantengan alejados a los transeúntes.
	PELIGRO: Peligro de pendiente pronunciada	Tenga precaución adicional en las pendientes. No corte el césped en pendientes de más de 15 grados.

	<p>Símbolos de reciclaje</p>	<p>Este producto utiliza baterías de ion litio (ion Li). Es posible que las leyes locales, estatales o federales prohíban la eliminación de baterías en la basura ordinaria. Consulte a su autoridad local de eliminación de residuos para obtener información sobre las opciones de reciclaje y/o eliminación disponibles.</p>
<p>IP...</p>	<p>Calificación de protección contra la penetración (IP)</p>	<p>Clasifica el grado de protección proporcionada por un recinto cerrado para equipos eléctricos</p>
<p>V</p>	<p>Voltio</p>	<p>Tensión</p>
	<p>Corriente continua</p>	<p>Tipo o característica de corriente</p>
<p>mm</p>	<p>Milímetro</p>	<p>Longitud o tamaño</p>
<p>in.</p>	<p>Pulgada</p>	<p>Longitud o tamaño</p>
<p>kg</p>	<p>Kilogramo</p>	<p>Peso</p>
<p>lb</p>	<p>Libra</p>	<p>Peso</p>
<p>L</p>	<p>Litro</p>	<p>Volumen</p>
<p>bu</p>	<p>Fanega</p>	<p>Volumen</p>
<p>min</p>	<p>Minutos</p>	<p>Tiempo</p>
<p><math>n_0</math></p>	<p>Velocidad sin carga</p>	<p>Velocidad rotacional, sin carga</p>
<p>RPM</p>	<p>Revoluciones por minuto</p>	<p>Velocidad rotacional</p>
<p>°C</p>	<p>Grados Celsius</p>	<p>Temperatura</p>
<p>°F</p>	<p>Grados Fahrenheit</p>	<p>Temperatura</p>

**⚠ ADVERTENCIA:** Para garantizar la seguridad y la confiabilidad, todas las reparaciones deberán ser realizadas por un técnico de servicio calificado.

## ADVERTENCIAS DE SEGURIDAD DEL CORTACÉSPED

**⚠ ADVERTENCIA:** Lea todas las advertencias de seguridad, instrucciones, ilustraciones y especificaciones proporcionadas con esta herramienta. No seguir todas las instrucciones enumeradas a continuación puede provocar una descarga eléctrica, un incendio y/o lesiones graves.

**Guarde todas las advertencias e instrucciones para futuras consultas.**

### SEGURIDAD EN LA ZONA DE TRABAJO

- **Para evitar que otras personas entren en contacto con la cuchilla en movimiento o con un objeto arrojado, mantenga la zona de trabajo libre de personas, especialmente de los niños pequeños.** Detenga el cortacésped y cualquier accesorio(s) si alguien entra en la zona. El contacto con la cuchilla en movimiento o con objetos arrojados puede provocar lesiones personales graves o la muerte.
- **Utilice el cortacésped únicamente a la luz del día o con buena luz artificial.** Las zonas oscuras invitan a los accidentes.
- **No utilice el cortacésped en atmósferas explosivas, como en presencia de líquidos, gases o polvo inflamables.** Los cortacéspedes crean chispas que pueden encender el polvo o los humos.
- **No utilice el cortacésped en condiciones meteorológicas adversas, especialmente cuando exista riesgo de rayos.** Esto disminuye el riesgo de ser alcanzado por un rayo.
- **Inspeccione minuciosamente la zona donde se va a utilizar el cortacésped y retire todas las piedras, palos, alambres, huesos y otros objetos extraños.** Los objetos arrojados pueden causar lesiones personales

### SEGURIDAD ELÉCTRICA

- **No utilice el cortacésped cuando llueva o en terreno mojado.** La entrada de agua en el cortacésped puede aumentar el riesgo de descarga eléctrica.

### SEGURIDAD PERSONAL

- **Utilice equipo de protección personal. Utilice siempre protección para los ojos.** El equipo de protección reducirá las lesiones personales.

- **Use indumentaria adecuada. No lleve ropa suelta ni joyas. Mantenga el cabello y la ropa alejados de las partes móviles.** La ropa suelta, las joyas o el cabello largo pueden quedar atrapados en las piezas móviles.
- Cuando maneje el cortacésped, lleve siempre pantalones largos. La piel expuesta aumenta la probabilidad de lesiones por objetos arrojados.
- **Al operar el cortacésped, utilice siempre calzado antideslizante y protector. No utilice el cortacésped si está descalzo o lleva sandalias abiertas.** Esto reduce la posibilidad de lesiones en los pies por contacto con la cuchilla en movimiento.
- **Evite el arranque involuntario. Asegúrese de que el interruptor está en la posición de apagado antes de conectar el cortacésped a la fuente de alimentación y/o a las baterías, o antes de agarrar o transportar el cortacésped.** Llevar un cortacésped con el dedo en el interruptor o darle corriente a un cortacésped que tiene el interruptor encendido invita a los accidentes.
- **Retire cualquier llave de ajuste o llave inglesa antes de encender el cortacésped.** Si se deja una llave inglesa o una llave fija en una pieza giratoria del cortacésped, pueden producirse lesiones personales.
- **Mantenga la postura y el equilibrio en todo momento.** Esto permite un mejor control del cortacésped en situaciones inesperadas.
- **Manténgase alerta, observe lo que hace y utilice el sentido común cuando opere el cortacésped. No utilice el cortacésped si está cansado o bajo los efectos de drogas, alcohol o medicamentos.** Un momento de distracción durante el manejo del cortacésped puede provocar lesiones graves.
- **No deje que la familiaridad adquirida por el uso frecuente del cortacésped le permita volverse complaciente e ignorar los principios de seguridad del cortacésped.** Una acción descuidada puede causar lesiones graves en una fracción de segundo.
- **Para evitar el contacto con la cuchilla del operador o una lesión por objeto arrojado, permanezca en la zona del operador detrás de los agarres del cortacésped.** El contacto con la cuchilla o con objetos arrojados puede provocar lesiones personales graves.
- **No toque las cuchillas ni otras piezas móviles peligrosas mientras estén en movimiento.** Esto reduce el riesgo de lesiones causadas por piezas móviles.

## USO Y CUIDADO DEL CORTACÉSPED

- **Utilice el cortacésped y los accesorios de acuerdo con estas instrucciones, teniendo en cuenta las condiciones de trabajo y el trabajo a realizar.** El uso del cortacésped para operaciones diferentes a las previstas puede provocar una situación peligrosa.
- **Antes de utilizar el cortacésped, compruebe siempre visualmente que la(s) cuchilla(s) y el conjunto de la(s) cuchilla(s) están correctamente fijados y no están desgastados ni dañados.** Las piezas sueltas, desgastadas o dañadas pueden aumentar el riesgo de lesiones.
- **Mantenga las protecciones y otros dispositivos de seguridad en su sitio, correctamente montados y en buen estado de funcionamiento.** Un protector u otro dispositivo de seguridad que esté suelto, dañado o no funcione correctamente puede provocar lesiones personales.
- **Mantenga todas las entradas de aire de refrigeración libres de residuos.** Las entradas de aire obstruidas y los residuos pueden provocar un sobrecalentamiento o riesgo de incendio.
- **No utilice el cortacésped si el interruptor no lo enciende y lo apaga.** Todo cortacésped que no pueda controlarse con el interruptor es peligroso y debe repararse.
- **No utilice el cortacésped sobre pasto mojado. Camine, nunca corra.** Esto reduce el riesgo de resbalones y caídas que pueden provocar lesiones personales.
- **No utilice el cortacésped en pendientes excesivamente pronunciadas.** Esto reduce el riesgo de pérdida de control, resbalones y caídas que pueden provocar lesiones personales.
- **No fuerce el cortacésped.** Utilice el cortacésped adecuado para su aplicación.
- **Preste atención a la dirección de descarga del cortacésped y del accesorio y no dirija la descarga del cortacésped hacia nadie.** Los objetos arrojados pueden causar lesiones personales.
- **Extreme las precauciones al dar marcha atrás o tirar del cortacésped hacia usted. Sea siempre consciente de lo que le rodea.** Esto reduce el riesgo de tropiezos durante el funcionamiento.
- **Cuando trabaje en pendientes, asegúrese siempre de pisar bien, trabaje siempre en sentido transversal, nunca hacia arriba o hacia abajo, y extreme las precauciones al cambiar de dirección.** Esto reduce el riesgo de pérdida de control, resbalones y caídas que pueden provocar lesiones personales.

- **Accione el dispositivo de desactivación y/o retire todas las baterías, si son extraíbles, del cortacésped antes de realizar cualquier ajuste, cambiar accesorios o guardar el cortacésped.** Estas medidas preventivas de seguridad reducen el riesgo de poner en funcionamiento el cortacésped accidentalmente.
- **Mantenga los agarres y las superficies de agarre secos, limpios y sin aceite ni grasa.** Los agarres y superficies de agarre resbaladizas no permiten un manejo y control seguros de la máquina en situaciones inesperadas.
- **Compruebe con frecuencia si el recolector de pasto está desgastado o deteriorado.** Un recolector desgastado o dañado puede aumentar el riesgo de lesiones personales.
- **Antes de retirar el recolector, apague el motor y espere a que la(s) cuchilla(s) se detenga(n) por completo. La(s) cuchilla(s) de corte sigue(n) girando después de soltar el control de la cuchilla. No coloque nunca ninguna parte del cuerpo en la zona de las cuchillas hasta que esté seguro de que el motor está apagado y la(s) cuchilla(s) han dejado de girar.** El contacto con la(s) cuchilla(s) de corte en movimiento puede provocar lesiones personales graves.
- **Antes de desatascar el conducto, apague el motor, espere hasta que la(s) cuchilla(s) se detenga(n) por completo, accione el dispositivo de desactivación y/o retire todas las baterías, si son extraíbles. La(s) cuchilla(s) de corte sigue(n) girando después de soltar el control de la cuchilla. No coloque nunca ninguna parte del cuerpo en la zona de las cuchillas hasta que esté seguro de que el motor está apagado y la(s) cuchilla(s) han dejado de girar.** El contacto con la(s) cuchilla(s) de corte en movimiento puede provocar lesiones personales graves.
- **Antes de limpiar o inspeccionar el cortacésped, apague el motor, espere hasta que la(s) cuchilla(s) se detenga(n) por completo, accione el dispositivo de desactivación y/o retire todas las baterías, si son extraíbles.** El contacto accidental con la cuchilla en movimiento y las piezas móviles puede provocar lesiones personales.
- **Realice el mantenimiento del cortacésped y los accesorios. Compruebe si las piezas móviles están desalineadas o atascadas, si hay piezas rotas o cualquier otra condición que pueda afectar al funcionamiento del cortacésped.** Si está dañado, haga reparar el cortacésped antes de utilizarlo. Muchos accidentes se deben a máquinas mal mantenidas.
- **Guarde el cortacésped fuera del alcance de los niños y no permita que lo manejen personas que no estén familiarizadas con el cortacésped o con**

**estas instrucciones.** Los cortacéspedes son peligrosos en manos de usuarios sin formación.

## USO Y CUIDADO DE LA BATERÍA DEL CORTACÉSPED

- **Utilice los cortacéspedes sólo con los paquetes de baterías específicamente designados.** El uso de cualquier otro paquete de baterías puede crear un riesgo de lesiones e incendio.
- **Recargue sólo con el cargador especificado por el fabricante.** Un cargador adecuado para un tipo de paquete(s) de baterías puede crear riesgo de incendio si se utiliza con otro tipo de paquete(s) de baterías.
- **Siga todas las instrucciones de carga y no cargue la(s) batería(s) ni el cortacésped fuera del intervalo de temperatura especificado en las instrucciones.** Una carga inadecuada o a temperaturas fuera del rango especificado puede dañar el paquete de baterías y aumentar el riesgo de incendio.
- **No utilice baterías o cortacésped dañados o modificados.** Las baterías dañadas o modificadas pueden mostrar un comportamiento impredecible con el consiguiente riesgo de incendio, explosión o lesiones.
- **No exponga la(s) batería(s) o el cortacésped al fuego o a temperaturas excesivas.** La exposición al fuego o a temperaturas superiores a 130 °C (265 °F) puede provocar una explosión.
- **En condiciones abusivas, puede salir líquido de la(s) batería(s); evite el contacto. En caso de contacto accidental, lavar con agua. Si el líquido entra en contacto con los ojos, busque además ayuda médica.** El líquido expulsado por la(s) batería(s) puede provocar irritaciones o quemaduras.
- **Cuando el paquete de baterías no esté en uso, manténgalo alejada de otros objetos metálicos, como clips, monedas, llaves, clavos, tornillos u otros objetos metálicos pequeños, que puedan hacer conexión de un terminal a otro.** Un cortocircuito entre los terminales de la batería puede provocar quemaduras o un incendio.

## SERVICIO

- **Encargue el mantenimiento de su cortacésped a un técnico calificado que utilice únicamente piezas de repuesto idénticas. Esto garantizará que se mantenga la seguridad del cortacésped.** El uso de piezas que no cumplan las especificaciones del equipo original puede provocar un rendimiento inadecuado y comprometer la seguridad.

- **Nunca realice mantenimiento a paquetes de baterías dañados.** El mantenimiento de los paquetes de baterías sólo debe ser realizado por el fabricante o por un servicio técnico autorizado.

## **NORMAS ADICIONALES PARA EL CORTACÉSPED**

- El usuario es responsable de los accidentes o peligros que puedan ocurrir a otras personas o a sus bienes.
- Familiarícese con los mandos y el uso correcto de la máquina.
- Antes de utilizarla, compruebe siempre visualmente que la cuchilla y el perno de la cuchilla no estén desgastados ni dañados. Sustituya la cuchilla y el perno desgastados o dañados en juegos para preservar el equilibrio.
- Mantenga todas las tuercas, pernos y tornillos apretados para asegurarse de que el producto está en condiciones seguras de funcionamiento.
- Compruebe el funcionamiento de la máquina antes de cada uso y, en caso de defecto, hágala reparar inmediatamente por una persona calificada; nunca abra la máquina usted mismo.
- No utilice nunca la máquina con un protector trasero o un recolector defectuosos.
- Cuando utilice la máquina sin recolector, asegúrese de que la protección trasera está cerrada (riesgo de lesiones causadas por la rotación de la cuchilla de corte).
- Apague siempre la máquina, retire la(s) batería(s) y asegúrese de que todas las piezas móviles estén completamente paradas.
- siempre que deje la máquina desatendida
- antes de retirar el material atascado
- antes de revisar, limpiar o trabajar en la máquina
- después de golpear un objeto extraño, e inspeccionar la máquina en busca de daños y efectuar las reparaciones pertinentes antes de volver a ponerla en marcha y hacerla funcionar
- si la máquina empieza a vibrar de forma anómala, y luego inspeccionar inmediatamente si hay daños, sustituir o reparar las piezas dañadas y comprobar si hay piezas sueltas y apretarlas.

- Mantenga siempre las manos y los pies alejados de las partes giratorias.
- Manténgase alejado de la abertura de descarga en todo momento.
- Encienda el motor siguiendo las instrucciones y con los pies bien alejados de la cuchilla de corte.
- No siegue nunca cerca de personas (especialmente niños) y animales.
- Detenga la cuchilla de corte si tiene que inclinar el producto para transportarlo cuando atravesase superficies que no sean pasto, y cuando transporte el producto hacia y desde la zona de uso.
- No incline el cortacésped cuando encienda el motor, excepto si es necesario inclinarlo para el arranque. En este caso, no lo incline más de lo estrictamente necesario y levante sólo la parte que esté alejada del operador.
- Tenga cuidado durante el ajuste del producto para evitar que los dedos queden atrapados entre la cuchilla móvil y las partes fijas del producto.
- Deje siempre que la máquina se enfríe antes de guardarla.
- Al realizar el mantenimiento de la cuchilla, tenga en cuenta que, aunque la fuente de alimentación esté desconectada, la cuchilla puede moverse.
- Compruebe si la cuchilla de corte está obstruida. Para evitar obstrucciones, mantenga limpias la cuchilla de corte y la plataforma del cortacésped. Retire los recortes de pasto, las hojas, la suciedad y cualquier otro residuo acumulado antes y después de cada uso.
- Cuando se produzca un bloqueo, detenga el cortacésped y retire la(s) batería(s); a continuación, elimine cualquier acumulación de pasto y hojas sobre o alrededor del eje de transmisión y el ventilador del motor (no utilice agua). Limpie el cortacésped con un paño húmedo.
- Vacíe la bolsa de pasto antes de almacenar.
- No utilice nunca la máquina si el cable del agarre está dañado; hágalo sustituir por una persona calificada.

- Limpieza y mantenimiento antes del almacenamiento.
- Utilice los cortacéspedes sólo con los paquetes de baterías específicamente designados. El uso de cualquier otro paquete de baterías puede crear un riesgo de lesiones e incendio.

<b>PAQUETE DE BATERÍA</b>	<b>CARGADOR</b>
BA1400, BA1400-FC, BA2800, BA2800-FC, BA4200, BA4200-FC, BA1400T, BA1400T-FC, BA2242T, BA2242T-FC, BA2800T, BA2800T-FC, BA3360T, BA3360T-FC, BA4200T, BA4200T-FC, BA4480T, BA4480T-FC, BA5600T, BA5600T-FC, BA6720T, BA6720T-FC	CH2100, CH2100-FC, CH3200, CH3200-FC CH5500, CH5500-FC, CH2800D, CH2800D-FC CH7000, CH7000-FC CH7000T, CH7000T-FC

## INTRODUCCIÓN

Felicitaciones por su selección de una cortadora de césped EGO de ion litio de 56 V nueva. Esta cortadora de césped ha sido diseñada, concebida y fabricada para ofrecerle a usted la mejor confiabilidad y el mejor rendimiento posibles.

En caso de que tenga algún problema que no pueda remediar fácilmente, **sírvase contactar al Servicio al Cliente de EGO llamando al 1-855-EGO-5656.**

Este manual contiene información importante sobre el ensamblaje, la utilización y el mantenimiento seguros de su producto. Léalo detenidamente antes de utilizar la cortadora de césped. Tenga este manual al alcance de la mano para poder consultarlo en cualquier momento.

NÚMERO DE SERIE \_\_\_\_\_ FECHA DE COMPRA \_\_\_\_\_

LOS NÚMEROS DE MODELO Y DE SERIE SE ENCONTRARÁN EN UNA ETIQUETA COLOCADA EN LA PUERTA DE DESCARGA TRASERA.

USTED DEBERÁ ANOTAR TANTO EL NÚMERO DE SERIE COMO LA FECHA DE COMPRA Y MANTENERLOS EN UN LUGAR SEGURO PARA REFERENCIA FUTURA.

# ESPECIFICACIONES

Tensión	56 V
Modo de velocidad de las cuchillas	TURBO
	2
	1
Ajuste aproximado de la altura de corte	
1	1 pulgada (25 mm)
2	1-3/8 pulgadas (33 mm)
3	1-3/4 pulgadas (43 mm)
4	2 pulgadas (54 mm)
5	2-1/2 pulgadas (66 mm)
6	3 pulgadas (79 mm)
7	3-1/2 pulgadas (92 mm)
8	4 pulgadas (105 mm)
Tamaño de la plataforma	22 pulgadas (559 mm)
Volumen de la bolsa de pasto	2,5 fanegas (85 l)
Calificación de protección contra la penetración	IPX4* (protegida contra las salpicaduras de agua)
Peso de la cortadora de césped (sin paquete de batería)	67,3 lb (30,6 kg)
Tiempo de funcionamiento aproximado con una batería EGO de 56 V y 10 Ah	75 min (Modo 1)
Temperatura de funcionamiento recomendada	32 – 104 °F (0 – 40 °C)
Temperatura de almacenamiento recomendada	-4 – 158 °F (-20 – 70 °C)

\* **NOTA:** La calificación IPX4 se basa en que la máquina y la batería se utilicen juntas como un sistema.

**NOTA:** Consulte los manuales del paquete de baterías y el cargador para obtener instrucciones detalladas de seguridad y funcionamiento.

**NOTA:** El tiempo de funcionamiento real variará con el estado del pasto: especie, densidad, humedad, etc.

## Consejos para maximizar el tiempo de funcionamiento

Para sacar mayor provecho de su cortadora de césped EGO, por favor, siga estas reglas:

- Corte no más de 1,5 pulgadas (38 mm) de pasto en una pasada.
- Mueva la cortadora de césped a un ritmo moderado.
- No corte pasto mojado.
- Asegúrese de que las cuchillas estén afiladas.
- Asegúrese de que la parte inferior de la plataforma esté limpia.

## ACCESORIOS RECOMENDADOS

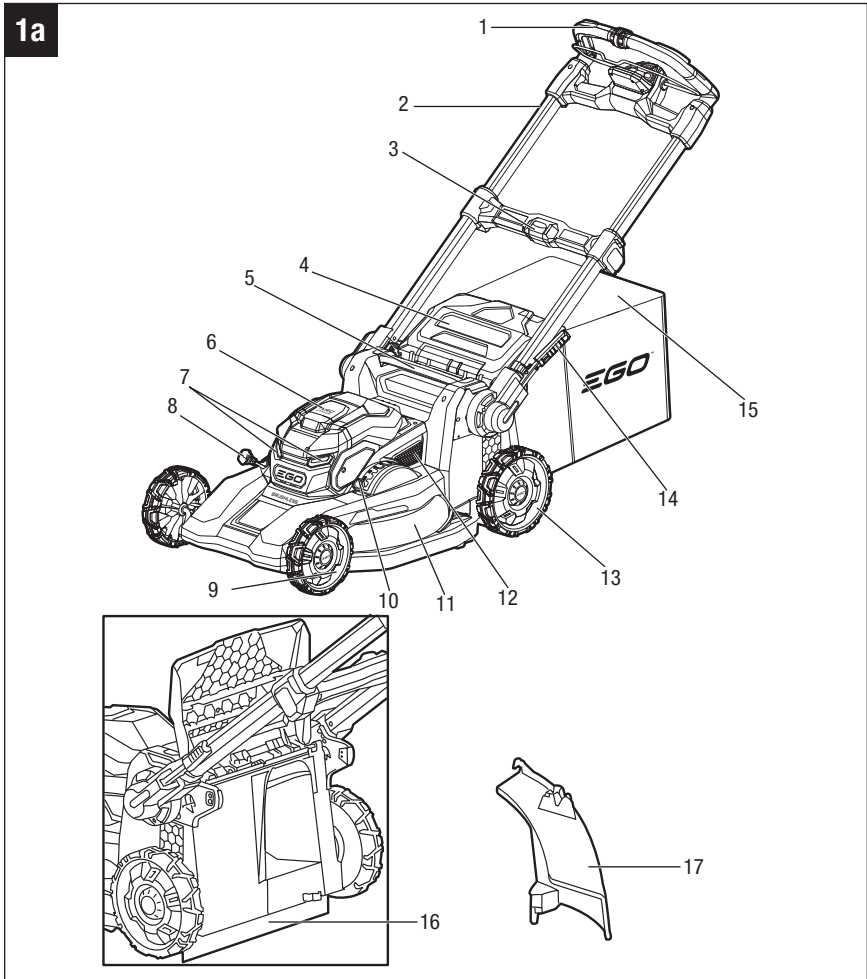
**⚠ ADVERTENCIA:** Las siguientes piezas están sujetas a desgastarse por el uso normal. Utilice solo las piezas de repuesto EGO idénticas que se indican a continuación. Es posible que el uso de piezas que no cumplan con las especificaciones del equipo original cause un rendimiento incorrecto y ponga en peligro la seguridad.

NOMBRE DE LA PIEZA	NÚMERO DE MODELO
Conjunto de cuchilla de alto rendimiento EGO	AB2211D
Conjunto de cuchilla embolsadora de alta elevación EGO	AB2212D

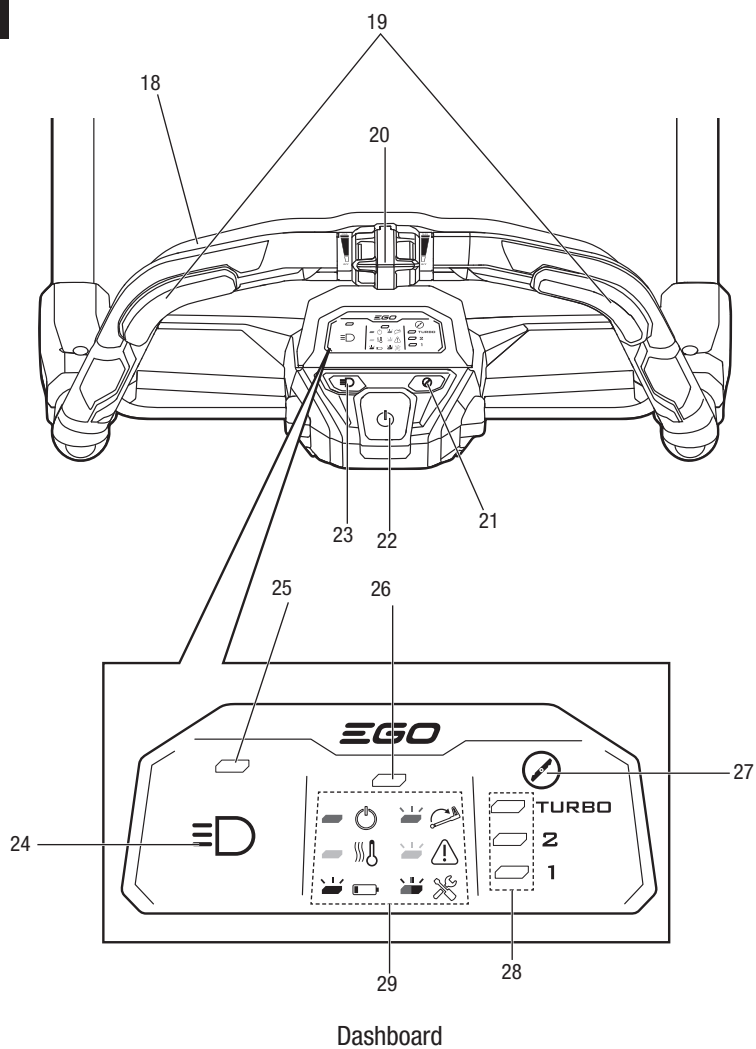
# DESCRIPCIÓN

## CONOZCA SU CORTADORA DE CÉSPED (Fig. 1a y 1b)

El uso seguro de este producto requiere entender la información que se encuentra en la máquina y en este manual del operador, así como tener conocimiento del proyecto que se esté intentando realizar. Antes de utilizar este producto, familiarícese con todas las características de funcionamiento y todas las normas de seguridad.



1b



1. Agarradera
2. Riel lateral
3. Abrazadera de fijación de la agarradera
4. Puerta de descarga trasera
5. Agarradera de elevación
6. Cubierta del compartimiento de la batería
7. Luces delanteras LED
8. Perilla selectora de pasto cortado
9. Rueda delantera
10. Perilla de ajuste de la altura de corte
11. Plataforma
12. Entrada de aire
13. Rueda trasera
14. Palanca de ajuste rápido
15. Bolsa de pasto
16. Escudo trasero
17. Conducto de descarga lateral
18. Interruptor tipo agarradera (palanca del interruptor)
19. Gatillo de autopropulsión
20. Dial de velocidad de autopropulsión
21. Botón de modo de velocidad de las cuchillas
22. Botón de alimentación
23. Botón de las luces delanteras LED
24. Ícono de las luces delanteras LED
25. Indicador de las luces delanteras LED
26. Indicador de estado de la cortadora de césped
27. Ícono de cuchilla
28. Indicador de modo de velocidad de las cuchillas
29. Ícono de estado de la cortadora de césped

## BOTÓN DE ALIMENTACIÓN

- Cuando se presione brevemente este botón, el indicador de estado de la cortadora de césped y el indicador de la velocidad de las cuchillas preestablecida (2) se iluminarán.
- El botón de alimentación se debe presionar antes de que se pueda arrancar el motor.

## **INTERRUPTOR TIPO AGARRADERA**

El interruptor tipo agarradera ENCIENDE y APAGA el motor de las cuchillas.

## **GATILLO DE AUTOPROPULSIÓN**

ENCIENDE y APAGA la función de autopropulsión.

## **DIAL DE VELOCIDAD DE AUTOPROPULSIÓN**

Aumenta o reduce la velocidad de autopropulsión.

## **BOTÓN DE MODO DE VELOCIDAD DE LAS CUCHILLAS**

Permite al usuario seleccionar el modo de velocidad de las cuchillas, dependiendo de las condiciones del pasto.

## **ESCUDO TRASERO Y PUERTA DE DESCARGA TRASERA**

El escudo trasero está diseñado para minimizar la posibilidad de que la cortadora de césped lance hacia atrás piedras u otros objetos. El escudo y la puerta de descarga trasera minimizan la posibilidad de contacto accidental de los pies con la cuchilla.

NO utilice la cortadora de césped sin tener el escudo trasero y la puerta de descarga trasera en la posición correcta.

## **CONDUCTO DE DESCARGA LATERAL**

Guía el pasto cortado hacia la izquierda de la cortadora de césped.

## **ABRAZADERA DE FIJACIÓN DE LA AGARRADERA**

Bloquea/desbloquea los rieles laterales en la posición extendida o recogida.

## **RIELES LATERALES**

Se pueden extender y bloquear para la utilización o retraer para el almacenamiento.

## **PERILLA SELECTORA DE PASTO CORTADO**

Controla el embolsamiento, la trituración y la descarga lateral, y cuenta con cinco posiciones de ajuste.

## **PALANCA DE AJUSTE RÁPIDO**

Bloquea/desbloquea la posición de la agarradera cuando se ajusta el ángulo de la agarradera de la cortadora de césped:

1. Posición de almacenamiento
2. Posición de instalación/desinstalación de la bolsa de pasto
3. Posición de utilización superior
4. Posición de utilización central
5. Posición de utilización inferior

## **LUCES DELANTERAS LED**

Las luces delanteras LED están ubicadas en la parte delantera de la cortadora de césped y proporcionan iluminación para aumentar la visibilidad.

## **PERILLA DE AJUSTE DE LA ALTURA DE CORTE**

Le permite a usted ajustar la altura de corte de la cortadora de césped.

## ENSAMBLAJE

**⚠ ADVERTENCIA:** Para prevenir arranques accidentales que podrían causar lesiones corporales graves, retire siempre el paquete de batería de la máquina cuando ensamble piezas.

**⚠ ADVERTENCIA:** No intente modificar esta máquina ni crear accesorios no recomendados para utilizarse con esta cortadora de césped. Cualquiera de dichas alteraciones o modificaciones constituye un uso incorrecto y podría provocar una situación peligrosa que cause lesiones graves.

## DESEMPAQUE

Saque todos los accesorios de la caja de cartón y luego agarre la parte delantera de la cortadora de césped y la agarradera de elevación al mismo tiempo para levantar cuidadosamente la cortadora de césped y sacarla de la caja de cartón.

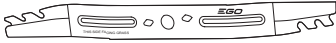
- Asegúrese de que todos los artículos indicados en la “**LISTA DE EMPAQUETAMIENTO**” estén incluidos.
- Inspeccione minuciosamente el producto para asegurarse de que no se hayan producido roturas o daños durante el envío.
- No deseche el material de empaquetamiento hasta que haya inspeccionado minuciosamente y utilizado satisfactoriamente la cortadora de césped.
- Si alguna de las piezas está dañada o falta, sírvase devolver la cortadora de césped al lugar de compra.

## LISTA DE EMPAQUETAMIENTO

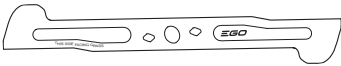
NOMBRE DE LA PIEZA	CANTIDAD
Cortadora de césped	1
Bolsa de pasto	1
Armazón para la bolsa de pasto	1
Conjunto de cuchilla de alto rendimiento EGO (instalado en la fábrica en la cortadora de césped)	1
Cuchilla embolsadora inferior de alta elevación	1
Conducto de descarga lateral	1
Manual del operador	1

## SISTEMA DE CORTE SELECT CUT™

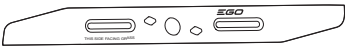
El **sistema de corte Select Cut™** le permite a usted utilizar una de las dos cuchillas inferiores intercambiables: la cuchilla inferior de alto rendimiento y la cuchilla embolsadora inferior de alta elevación.



La **cuchilla inferior de alto rendimiento** está diseñada específicamente para la cortadora de césped con el fin de optimizar su fuerza de torsión elevada y sus velocidades de cuchilla rápidas, produciendo un rendimiento excepcional de trituración y corte.



La **cuchilla embolsadora inferior de alta elevación** está diseñada específicamente para proporcionar succión adicional ideal para embolsar, con lo que se deja su jardín libre de pasto cortado.



La **cuchilla superior EGO** se utiliza en combinación con la cuchilla inferior seleccionada para recortar el pasto en fragmentos finos y aumenta enormemente el rendimiento de corte.

**⚠ ADVERTENCIA:** Tanto la cuchilla superior como la inferior deben estar instaladas. La cortadora de césped no funcionará solo con una cuchilla instalada.

## AJUSTE DE LA AGARRADERA PLEGABLE

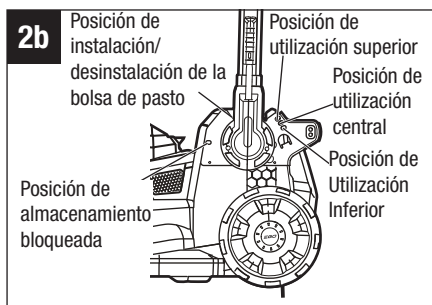
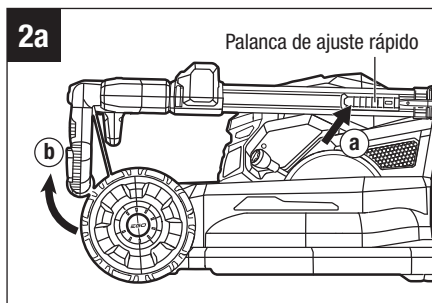
**⚠ ADVERTENCIA:** No intente arrancar la cortadora de césped hasta que la agarradera se haya bloqueado en una de las tres posiciones de utilización preestablecidas: POSICIÓN DE UTILIZACIÓN SUPERIOR, POSICIÓN DE UTILIZACIÓN CENTRAL y POSICIÓN DE UTILIZACIÓN INFERIOR.

1. POSICIÓN DE ALMACENAMIENTO BLOQUEADA (Fig. 2a)
2. POSICIÓN DE INSTALACIÓN/DESINSTALACIÓN DE LA BOLSA DE PASTO

Presione y mantenga presionada la palanca de ajuste rápido con una mano para liberar la agarradera de la posición de almacenamiento bloqueada. Comience a levantar la agarradera para retirarla de su posición plegada con la otra mano y luego suelte la palanca (Fig. 2a). Pivote suavemente la agarradera hacia arriba hasta que oiga y sienta que el pasador de fijación se acopla en la primera posición (Fig. 2b). Esta posición permite un acceso fácil para instalar y desinstalar la bolsa de pasto.

3. POSICIÓN DE UTILIZACIÓN SUPERIOR

Levante la agarradera con una mano. Pivote suavemente la agarradera hacia detrás hasta que oiga y sienta que el pasador de fijación se acopla en la posición de utilización superior. Extienda completamente los rieles laterales y cierre firmemente la abrazadera de fijación de la agarradera (Fig. 2c). Es posible que los usuarios más altos prefieran esta posición.



#### 4. POSICIÓN DE UTILIZACIÓN CENTRAL

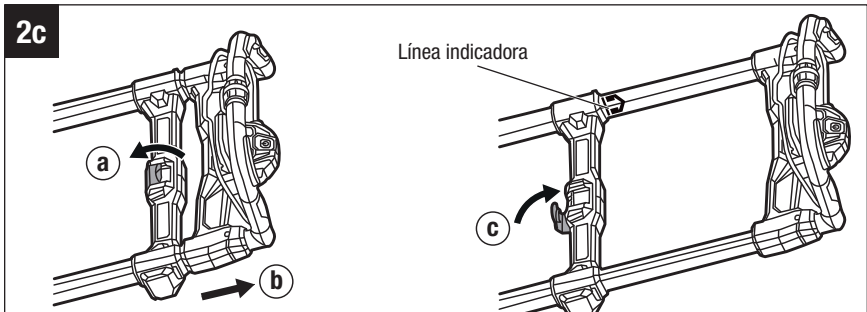
Presione y mantenga presionada la palanca de ajuste rápido con una mano para liberar la agarradera de la posición de utilización superior. Comience a bajar la agarradera con la otra mano y luego suelte la palanca. Pivote suavemente la agarradera hacia abajo hasta que oiga y sienta que el pasador de fijación se acopla en la posición de utilización central. Extienda completamente los rieles laterales y cierre firmemente las abrazaderas de fijación de la agarradera (Fig. 2c).

#### 5. POSICIÓN DE UTILIZACIÓN INFERIOR

Presione y mantenga presionada la palanca de ajuste rápido con una mano para liberar la agarradera de la posición de utilización central. Comience a bajar la agarradera con la otra mano y luego suelte la palanca. Pivote suavemente la agarradera hacia abajo hasta que oiga y sienta que el pasador de fijación se acopla en la posición de utilización inferior. Extienda completamente los rieles laterales y cierre firmemente la abrazadera de fijación de la agarradera (Fig. 2c).

**NOTA:** El motor no se puede arrancar a menos que:

- 1) Los rieles laterales estén completamente extendidos.
- 2) La abrazadera verde de fijación de la agarradera esté firmemente cerrada.
- 3) La abrazadera esté bloqueada en una de las tres posiciones de utilización.



### PERILLA SELECTORA DE PASTO CORTADO (Fig. 3)

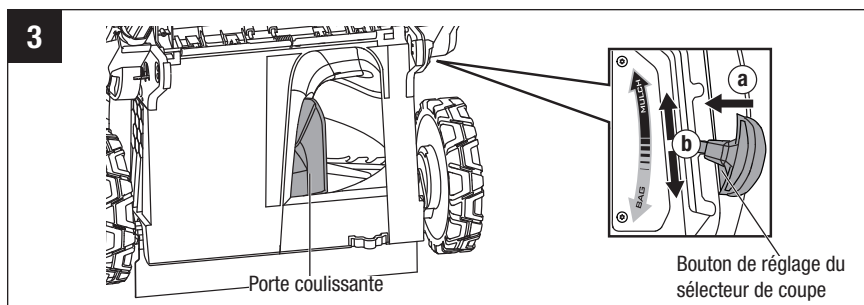
Coloque la perilla selectora de pasto cortado en cualquiera de las cinco posiciones para lograr los resultados de corte de césped deseados.

La perilla puede ajustar una puerta deslizante desde la posición de “EMBOLSAMIENTO” completamente abierta hasta la posición de “TRITURACIÓN” completamente cerrada.

Mediante el ajuste de la perilla selectora de pasto cortado se pueden cubrir diversas condiciones de corte de césped.

**Para reposicionar la perilla**, jale la perilla hacia fuera del retén y ajústela hasta que esté en la posición deseada.

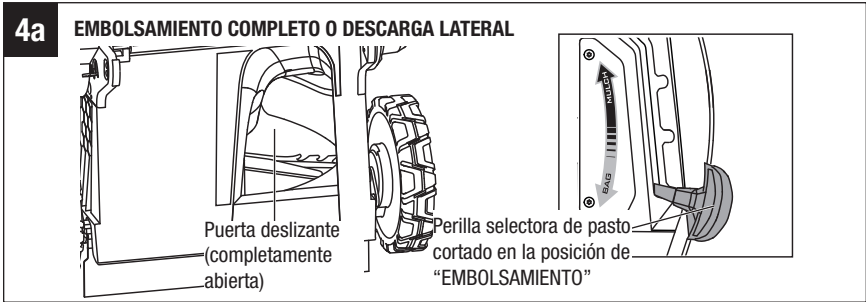
**AVISO:** Si se nota una resistencia elevada al mover la perilla selectora de pasto cortado de un lado a otro, es posible que se haya acumulado un exceso de pasto encima de la puerta deslizante. Elimine el pasto debajo de la plataforma de la cortadora de césped después de cada uso.



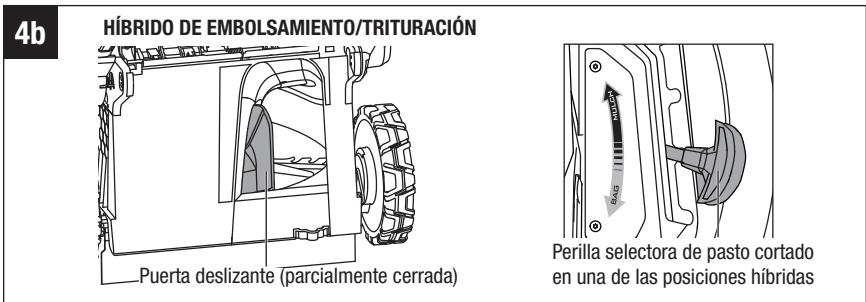
### POSICIÓN DE LA PUERTA DESLIZANTE

La puerta deslizante se puede posicionar para producir diferentes resultados de corte de césped. Para aprender la diferencia entre las posiciones, instale una bolsa de pasto y comience a cortar el césped con la perilla selectora de pasto cortado ubicada completamente en la posición de “EMBOLSAMIENTO”. Compruebe el aspecto del césped. A medida que la perilla se mueva hacia la posición de “TRITURACIÓN”, se reciclará más pasto de vuelta al césped. Ajuste la perilla selectora de pasto cortado hasta que se logre el resultado deseado. El modo híbrido de embolsamiento/trituración producirá un corte limpio y fino.

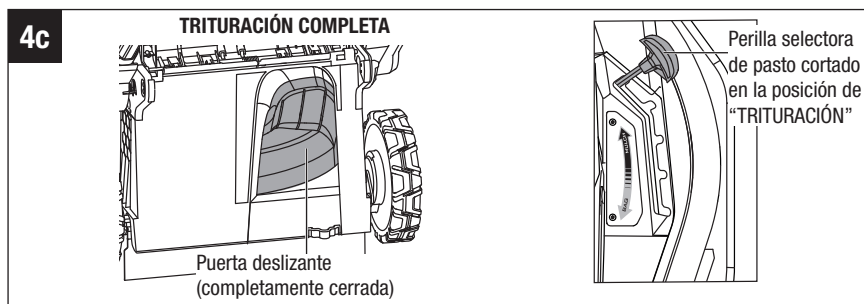
- Perilla selectora de pasto cortado en la posición de “EMBOLSAMIENTO”**, la puerta deslizante está completamente abierta, permitiendo que todo el pasto cortado entre en la bolsa (Fig. 4a).



- Perilla selectora de pasto cortado en las posiciones híbridas de embolsamiento/trituración**, la puerta deslizante está parcialmente cerrada. Parte del pasto cortado entrará en la bolsa y otra parte será triturada finamente y dirigida hacia el terreno (Fig. 4b).



- **Perilla selectora de pasto cortado en la posición de “TRITURACIÓN”**, la puerta deslizante está completamente cerrada. Todo el pasto cortado será triturado finamente y dirigido hacia el terreno (Fig. 4c).

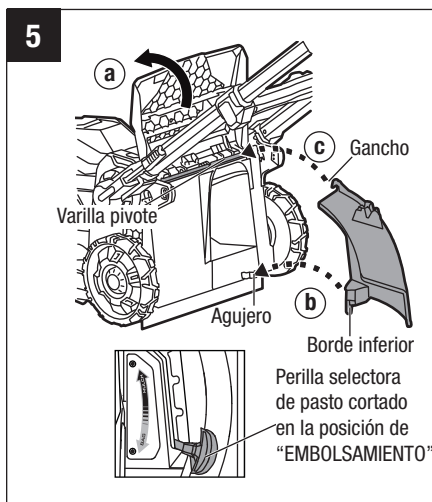


## DESCARGA LATERAL

**Para instalar/desinstalar el conducto de descarga lateral (Fig. 5)**

**AVISO:** Asegúrese de que la parte inferior de la plataforma esté limpia antes de utilizar el conducto de descarga lateral.

1. Apague la cortadora de césped y retire el paquete de batería.
2. Desinstale la bolsa de pasto y ponga la perilla selectora de pasto cortado en la posición de “EMBOLSAMIENTO”.
3. Levante la puerta de descarga trasera.
4. Alinee el borde inferior del conducto de descarga lateral con el agujero del umbral de la puerta e insértelo en el agujero.

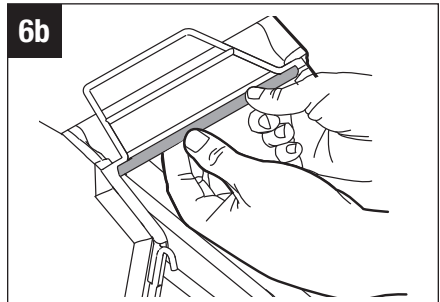
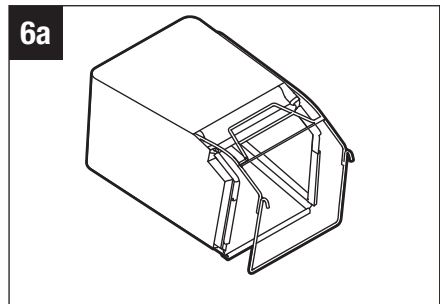


5. Enganche la parte superior del conducto de descarga lateral en la varilla pivote. Realice una comprobación para ver que se ha asentado firmemente o está en la posición correcta.
6. Suelte la puerta de descarga trasera y asegúrese de que descansa firmemente contra el conducto de descarga lateral.
7. **Para desinstalar el conducto de descarga lateral**, levante la puerta de descarga trasera, levante el conducto de descarga lateral y jálelo hacia fuera.
8. Suelte la puerta de descarga trasera.

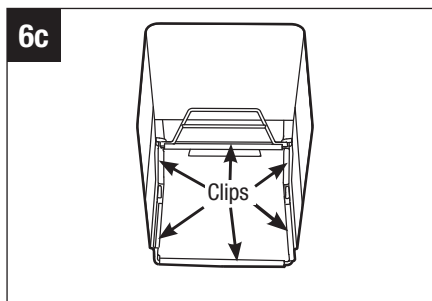
## EMBOLSAMIENTO COMPLETO

### Para ensamblar la bolsa de pasto

1. Compruebe la bolsa de pasto antes de ensamblarla, para asegurarse de que no tenga daños.
2. Deslice la bolsa de pasto sobre el armazón, de la manera que se muestra en la Fig. 6a.
3. Ensamble el clip superior en el armazón, de la manera que se muestra en la Fig. 6b, y luego ensamble los dos clips laterales. Ensamble el clip inferior en último lugar.



4. La bolsa de pasto completamente ensamblada se muestra en la Fig. 6c.

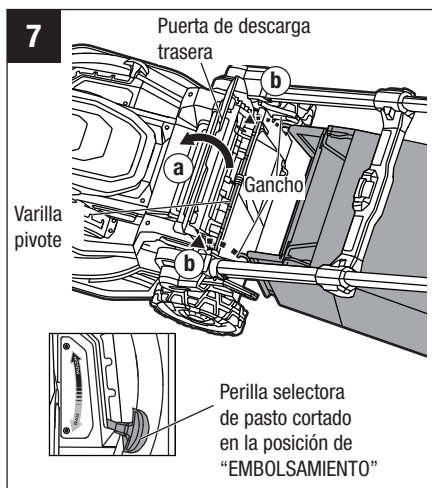


## Para instalar/desinstalar la bolsa de pasto (Fig. 7)

**⚠ ADVERTENCIA:** Retire el conducto de descarga lateral antes de instalar la bolsa de pasto en la cortadora de césped.

**AVISO:** Asegúrese de que la parte inferior de la plataforma esté limpia antes de utilizar la bolsa de pasto.

1. Apague la cortadora de césped y retire el paquete de batería.
2. Ponga la perilla selectora de pasto cortado en la posición de "EMBOLSAMIENTO".
3. Levante la puerta de descarga trasera.
4. Enganche la bolsa de pasto en la varilla pivote. Suelte la puerta de descarga trasera para que descance sobre la bolsa de pasto.
5. **Para desinstalar la bolsa de pasto**, levante la puerta de descarga trasera y luego levante la bolsa de pasto y sepárela de la varilla pivote.
6. Suelte la puerta de descarga trasera.

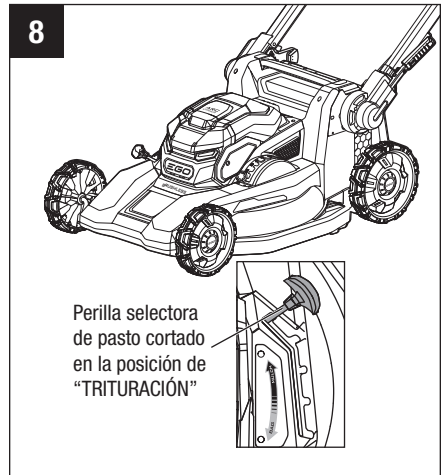


**⚠ ADVERTENCIA:** Cuando utilice la bolsa de pasto, no utilice nunca la cortadora de césped a menos que los dos ganchos ubicados en la bolsa de pasto estén firmemente asentados sobre la varilla pivote y la puerta de descarga trasera descansa firmemente contra la parte superior de la bolsa de pasto.

**⚠ ADVERTENCIA:** En condiciones de uso normal, el material de la bolsa de pasto está sujeto a desgaste. Para reducir el riesgo de lesiones, inspeccione frecuentemente la bolsa de pasto y reemplace dicha bolsa si hay cualquier señal de desgaste o deterioro. Utilice solo bolsas de pasto fabricadas para esta cortadora de césped.

### TRITURACIÓN COMPLETA (Fig. 8)

1. Apague la cortadora de césped y retire el paquete de batería.
2. Desinstale la bolsa de pasto.
3. Suelte la puerta de descarga trasera.
4. Ponga la perilla selectora de pasto cortado en la posición de "TRITURACIÓN".

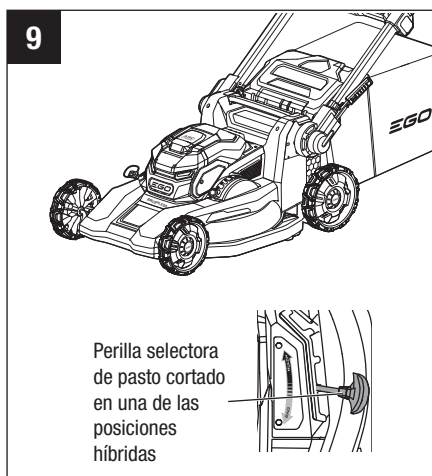


## HÍBRIDO DE EMBOLSAMIENTO/ TRITURACIÓN (Fig. 9)

1. Apague la cortadora de césped y retire el paquete de batería.
2. Instale la bolsa de pasto (consulte la sección “Para instalar/desinstalar la bolsa de pasto”).
3. Ponga la perilla selectora de pasto cortado en una de las tres posiciones híbridas de embolsamiento/trituración.

**NOTA:** A medida que la perilla selectora de pasto cortado se mueva hacia la posición de “TRITURACIÓN”, se reciclará más pasto de vuelta al césped.

A medida que la perilla selectora de pasto cortado se mueva hacia la posición de “EMBOLSAMIENTO”, se descargará más pasto a través de la descarga trasera hacia el interior de la bolsa de pasto.

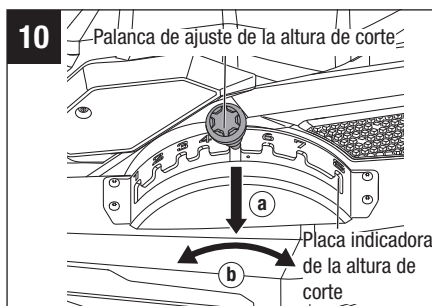


## AJUSTE DE LA ALTURA DE CORTE (Fig. 10)

**⚠ ADVERTENCIA:** Mantenga los pies alejados de la plataforma cuando ajuste la altura de corte.

La cortadora de césped se puede ajustar a 8 alturas de corte entre 1 pulgada (25 mm) y 4 pulgadas (105 mm). Una marca indica la altura de corte seleccionada.

Seleccione la altura de corte adecuada de acuerdo con el tipo y el estado del pasto que se vaya a cortar.



1. Apague la cortadora de césped y espere hasta que la cuchilla de corte se detenga por completo.
2. Retire el paquete de batería.
3. Jale la palanca de ajuste de la altura de corte hacia fuera del retén y ajústela en la posición deseada.

**NOTA:** Para evitar sobrecargar el motor, evite ajustar la altura de corte a un nivel demasiado bajo en pasto alto. Si la velocidad del motor comienza a disminuir, suba la altura de corte.

## UTILIZACIÓN

**⚠ ADVERTENCIA:** Retire siempre el paquete de batería del producto cuando esté ensamblando piezas, haciendo ajustes o realizando limpieza, o cuando el producto no se esté utilizando. Al retirar el paquete de batería se prevendrán los arranques accidentales que podrían causar lesiones corporales graves.

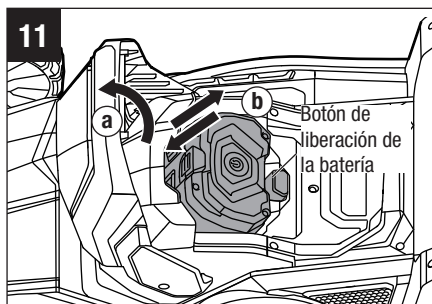
### INSTALACIÓN/DESINSTALACIÓN DEL PAQUETE DE BATERÍA (FIG. 11)

**NOTA:** Cargue el paquete de batería antes del primer uso.

1. Suba la cubierta del compartimiento de la batería levantando la parte trasera de dicha cubierta.
2. Alinee los surcos ubicados en el paquete de batería con las costillas en relieve ubicadas en el compartimiento de la batería y luego inserte el paquete de batería en el compartimiento.
3. Empuje el paquete de batería hasta que oiga un “clic”. El botón de liberación de la batería subirá por resorte cuando el paquete de batería esté firmemente sujeto.

**AVISO:** Asegúrese de que el pestillo ubicado en el compartimiento de la batería se acople a presión en la posición correcta y que el paquete de batería esté firmemente sujeto en la cortadora de césped antes de comenzar su utilización.

4. Para desinstalar el paquete de batería, presione el botón de liberación de la batería para liberar el paquete de batería y luego levante dicho paquete hacia fuera del compartimiento.
5. Cierre la cubierta del compartimiento de la batería.



## SELECCIÓN DEL MODO DE VELOCIDAD DE LAS CUCHILLAS (Fig. 12)

### Seleccione el modo de velocidad de las cuchillas

La cortadora de césped cuenta con tres modos de velocidad de las cuchillas:

- El **modo TURBO** es el modo de velocidad alta de las cuchillas para ofrecer un rendimiento de alta elevación con el fin de mejorar la fuerza de succión o el rendimiento de corte.
- El **modo 2** es el mejor equilibrio entre rendimiento y tiempo de funcionamiento.
- El **modo 1** proporciona el nivel de ruido más bajo y el tiempo de funcionamiento más prolongado del paquete de batería.

**NOTA:** Una velocidad más alta de las cuchillas afectará significativamente al tiempo de funcionamiento.

Seleccione entre el modo **TURBO, 2 o 1** presionando secuencialmente el botón de modo de velocidad de las cuchillas.

**NOTA:** El modo de velocidad de las cuchillas preestablecido es el modo **2**.

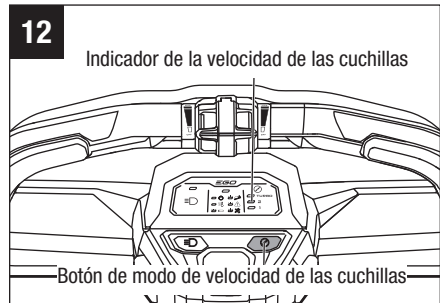
### ARRANQUE/PARADA DE LA CORTADORA DE CÉSPED

**⚠ ADVERTENCIA:** La utilización de cualquier cortadora de césped puede hacer que se lancen objetos extraños hacia los ojos del operador o de otras personas, lo cual puede dañar gravemente los ojos. Use siempre anteojos de seguridad mientras esté utilizando la cortadora de césped o mientras realice cualquier ajuste o reparación en la misma.

**⚠ ADVERTENCIA:** Asegúrese de que otras personas y los animales domésticos permanezcan al menos a 100 pies (30 m) de distancia de la cortadora de césped cuando se esté utilizando.

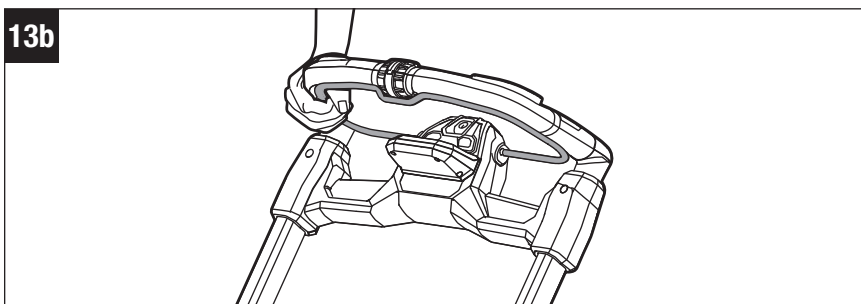
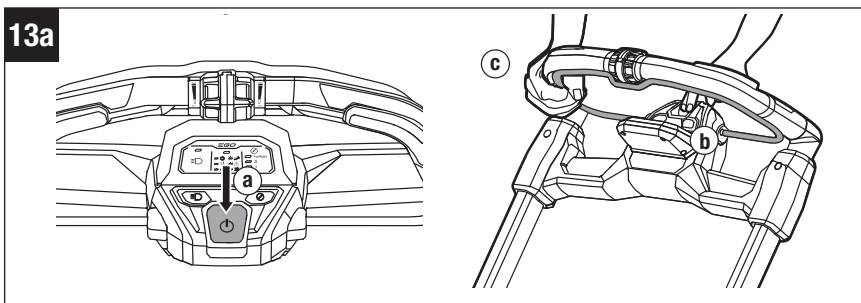
**AVISO:** La cuchilla continuará rotando durante unos segundos después de apagar la cortadora de césped. Espere a que el motor/la cuchilla deje de rotar antes de arrancar de nuevo la máquina. No apague y encienda rápidamente la cortadora de césped.

**⚠ PRECAUCIÓN:** No intente anular el funcionamiento del botón de alimentación y del interruptor tipo agarradera.



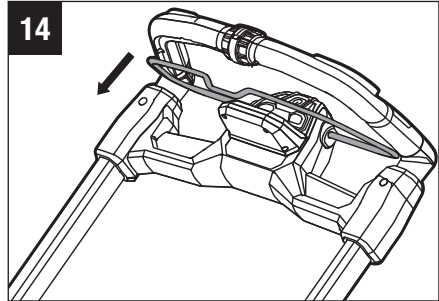
## Para arrancar la cortadora de césped (Fig. 13a y 13b)

1. Instale el paquete de batería en la cortadora de césped y cierre la cubierta del compartimiento de la batería.
2. Presione el botón de alimentación para iluminar el panel de control y el indicador de estado de la cortadora de césped junto con el indicador de velocidad de las cuchillas para el **modo 2** se iluminarán.
3. Presione el botón de modo de velocidad de las cuchillas para seleccionar la velocidad deseada, consulte la sección “**Selección del modo de velocidad de las cuchillas**” de este manual.
4. Presione y mantenga presionado el botón de alimentación.
5. Con el botón de alimentación presionado, apriete el interruptor tipo agarradera para que llegue a la agarradera. La cortadora de césped arrancará,
6. Suelte el botón de alimentación.



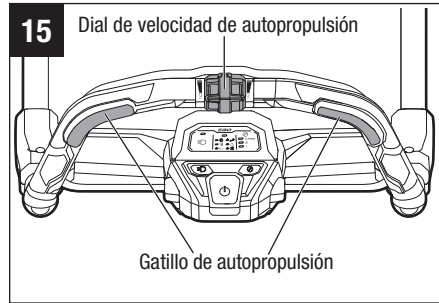
## Para detener la cortadora de césped (Fig. 14)

1. Suelte completamente el interruptor tipo agarradera.
2. El freno eléctrico del mecanismo de frenado automático detendrá la rotación de las cuchillas dentro del plazo de 3 segundos después de soltar el interruptor tipo agarradera.



## SISTEMA DE AUTOPROPULSIÓN DE VELOCIDAD VARIABLE (Fig. 15)

La cortadora de césped está equipada con capacidad de autopropulsión de velocidad variable. Para aumentar la velocidad, rote hacia delante el dial de velocidad de autopropulsión. Para reducir la velocidad, rote hacia atrás el dial de velocidad de autopropulsión.



**AVISO:** La función de autopropulsión se desactivará (APAGARÁ) cuando el dial de control de la velocidad de autopropulsión se rote hacia atrás hasta la posición más baja.

**CUANDO LA CORTADORA DE CÉSPED SE ENVÍA, EL DIAL DE VELOCIDAD ESTÁ AJUSTADO EN LA FÁBRICA EN LA POSICIÓN MÁS BAJA (APAGADO).** Antes de arrancar la función de autopropulsión por primera vez, rote ligeramente hacia delante el dial de velocidad de autopropulsión.

Este sistema de autopropulsión es independiente de la rotación de las cuchillas. Por ejemplo, cuando haya terminado de cortar el césped, puede utilizar la autopropulsión para propulsar la cortadora de césped de vuelta a su ubicación de almacenamiento sin rotación de las cuchillas. O puede optar por utilizar la cortadora de césped como una cortadora de césped de empuje manual para maximizar el tiempo de funcionamiento de las baterías.

### **Para utilizar el sistema de autopropulsión sin rotación de las cuchillas**

Rote ligeramente hacia delante el dial de velocidad de autopropulsión hasta que se pueda oír un clic y luego presione el gatillo (los gatillos) de autopropulsión. Hay dos gatillos de autopropulsión, presione cualquiera de ellos para iniciar la función de autopropulsión.

**Para apagar la autopropulsión**, suelte el gatillo de autopropulsión.

### **Para utilizar el sistema de autopropulsión con rotación de las cuchillas**

1. Presione el botón de alimentación para iluminar el panel de control.
2. Presione el botón de modo de velocidad de las cuchillas para seleccionar la velocidad deseada.
3. Presione el botón de alimentación.
4. Con el botón de alimentación presionado, jale el interruptor tipo agarradera contra la agarradera para arrancar la cortadora de césped y luego suelte el botón de alimentación.
5. Sostenga el interruptor tipo agarradera contra la agarradera con cualquiera de las dos manos. Presione cualquiera de los dos gatillos de autopropulsión para iniciar la función de autopropulsión.
6. Con una mano sosteniendo tanto el interruptor tipo agarradera como el gatillo de autopropulsión contra la agarradera, use la otra mano para ajustar el dial de control de la velocidad de autopropulsión para seleccionar la velocidad deseada.

**AVISO:** Cuando apague la autopropulsión, por ejemplo, al final de una hilera, es posible que se bloquee temporalmente si usted jala hacia atrás la cortadora de césped. Simplemente empuje ligeramente hacia delante y luego mueva la cortadora de césped según se requiera.

**AVISO:** Es posible que a veces sea más fácil cortar el césped alrededor de un objeto con la autopropulsión apagada.

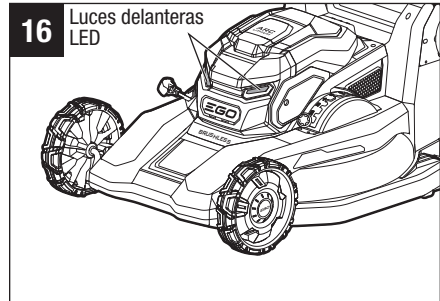
**⚠ ADVERTENCIA:** Para reducir el riesgo de lesiones, no intente nunca anular el funcionamiento del interruptor tipo agarradera o el sistema de autopropulsión. Utilice el sistema de autopropulsión solo para su propósito previsto.

## LUCES DELANTERAS LED (Fig. 16)

Las luces delanteras LED están ubicadas en la parte delantera del compartimiento de la batería (Fig. 16).

**Para encender las luces delanteras,** presione el botón de las luces delanteras LED. Las luces delanteras proporcionan una iluminación brillante en la parte delantera de la cortadora de césped.




**Para apagar las luces delanteras,** presione de nuevo el botón.



## INDICADORES DE ESTADO DE LA CORTADORA DE CÉSPED (CONSULTE Fig. 1b)

El indicador de estado de la cortadora de césped ubicado en el panel de control muestra el estado de trabajo de la cortadora de césped.

Indicador	Descripción	Significado	Acción
	Verde continuo	La cortadora de césped está funcionando correctamente.	No se requiere ninguna.
	Verde parpadeante	Los rieles laterales no están completamente extendidos.	Detenga la cortadora de césped y asegúrese de que los rieles laterales estén completamente extendidos.
		La agarradera no está bloqueada en la posición de utilización.	Detenga la cortadora de césped y asegúrese de que la agarradera esté bloqueada en una de las tres posiciones de utilización.

Indicador	Descripción	Significado	Acción
	Rojo parpadeante	Carga baja de la batería.	Detenga la cortadora de césped y cargue el paquete de batería.
	Naranja continuo	La cortadora de césped está sobrecalentada.	Suelte el interruptor tipo agarradera y espere hasta que la temperatura de la cortadora de césped descienda por debajo de 176 °F (80 °C). Consulte " <b>PROTECCIÓN CONTRA ALTAS TEMPERATURAS DE LA CORTADORA DE CÉSPED</b> " más adelante.
	Naranja parpadeante	La cortadora de césped está sobrecargada.	<ol style="list-style-type: none"> <li>1. Retire el paquete de batería y luego compruebe si se ha acumulado pasto debajo de la plataforma. Elimine el pasto si es necesario.</li> <li>2. Reduzca el ritmo cuando corte.</li> <li>3. Suba la altura de corte.</li> <li>4. Si las soluciones que anteceden no funcionan, sírvase contactar a Servicio al Cliente de EGO.</li> </ol> <p>Consulte "<b>PROTECCIÓN CONTRA SOBRECARGAS DE LA CORTADORA DE CÉSPED</b>" más adelante.</p>

Indicador	Descripción	Significado	Acción
	Rojo/verde parpadeante alternadamente	Error del sistema electrónico de la cortadora de césped.	Contacte a Servicio al Cliente de EGO.

## PROTECCIÓN CONTRA ALTAS TEMPERATURAS DE LA CORTADORA DE CÉSPED

Si la temperatura de la cortadora de césped excede 194 °F (90 °C) durante su utilización, el circuito de protección contra altas temperaturas apagará inmediatamente la cortadora de césped para prevenir daños por sobrecalentamiento.

El indicador de estado de la cortadora de césped se iluminará en naranja continuo. Suelte el gatillo de rotación de las cuchillas, espere hasta que la cortadora de césped sobrecalentada se enfríe y el indicador de estado se ponga verde, y luego rearranque la cortadora de césped.

## PROTECCIÓN CONTRA SOBRECARGAS DE LA CORTADORA DE CÉSPED

Para prevenir condiciones de sobrecarga, no intente retirar demasiado pasto al mismo tiempo. Reduzca el ritmo o suba la altura de corte.

Esta cortadora de césped tiene protección de circuito contra sobrecargas incorporada. Cuando la cortadora de césped esté sobrecargada, el motor se detendrá y el indicador de estado de la cortadora de césped ubicado en el panel de control parpadeará en naranja.

## CONSEJOS PARA CORTAR EL CÉSPED

**AVISO:** Una cuchilla afilada aumentará enormemente el rendimiento de la cortadora de césped, especialmente cuando corte pasto alto. Asegúrese de comprobar si la cuchilla está afilada antes de cortar el césped.

- Verifique que el césped esté libre de piedras, palos, alambres y otros objetos que podrían dañar la cortadora de césped o el motor. Dichos objetos podrían ser lanzados accidentalmente al aire por la cortadora de césped en cualquier dirección y podrían causar lesiones corporales graves al operador y a otras personas.

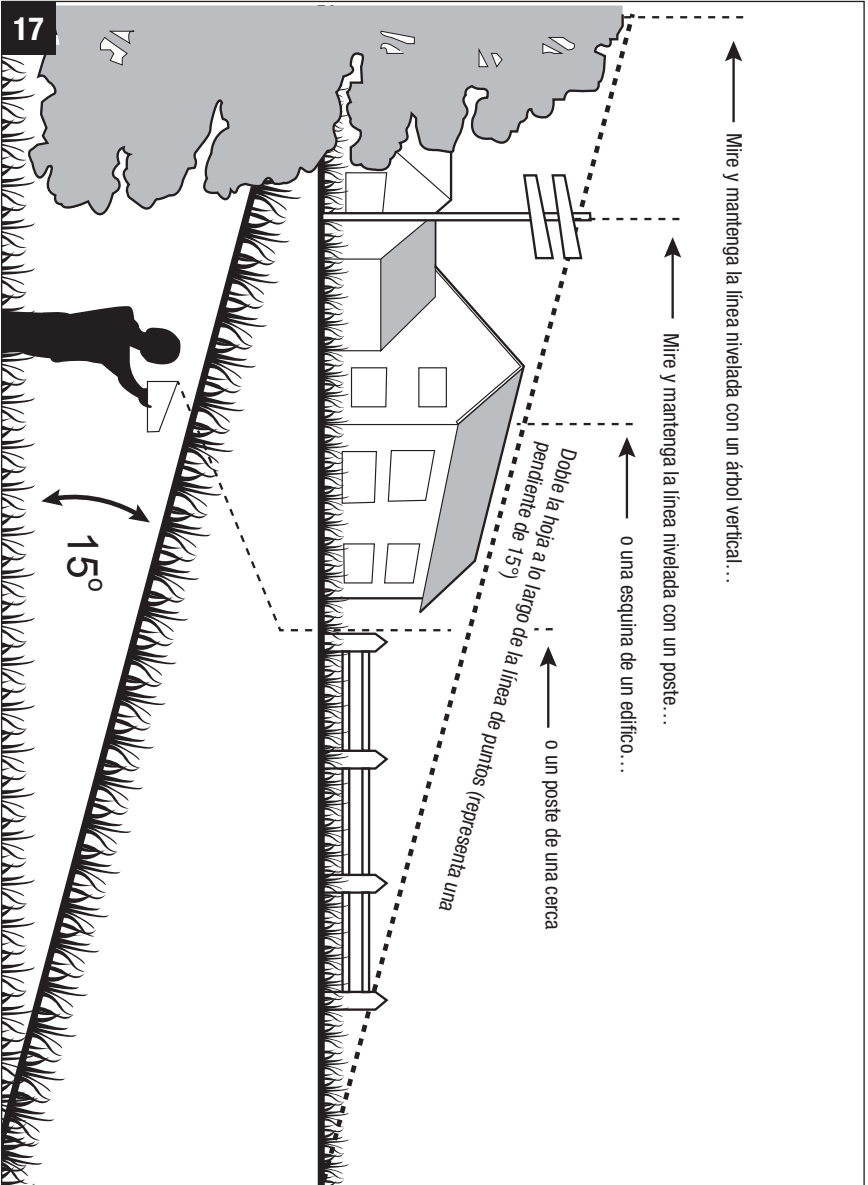
**⚠ ADVERTENCIA:** Si golpea un objeto extraño, pare el motor y retire la batería. Inspeccione minuciosamente la cortadora de césped para determinar si tiene algún daño y repare el daño antes de rearrancar y utilizar la cortadora de césped. Una vibración excesiva de la cortadora de césped durante su utilización es una indicación de daños. La unidad deberá ser inspeccionada y reparada de inmediato.

- Para obtener los mejores resultados, no corte el césped en círculos. Desplácese hacia atrás y hacia delante por el césped.
- Cuando corte pasto grueso, reduzca la velocidad a la que camina para permitir un corte más efectivo y una descarga adecuada del pasto cortado.
- Para mantener un césped saludable, corte solo un tercio o menos de la longitud total del pasto. El césped promedio debería tener aproximadamente de 1-1/2 a 2 pulgadas (38 a 53 mm) de longitud durante los meses fríos y entre 2 y 3-1/4 pulgadas (53 y 83 mm) de longitud durante los meses calurosos.

## **CALIBRE DE PENDIENTES (Fig. 17)**

**⚠ ADVERTENCIA:** No corte el césped en una pendiente que tenga un ángulo de más de 15° (una subida de aproximadamente 2-1/2 pies (0,75 m) cada 10 pies [3 m]). Corte el césped transversalmente a la cara de una pendiente y nunca hacia arriba y hacia abajo.

Utilice la Fig. 17 como guía para identificar las pendientes en las que no se puede cortar el césped de manera segura.



## CONSEJOS PARA TRITURAR

**⚠ ADVERTENCIA:** Inspeccione el área donde se va a utilizar la cortadora de césped y retire todas las piedras, palos, alambres y otros residuos que podrían ser lanzados al aire por la cuchilla que rota.

- Suelte el gatillo de rotación de las cuchillas para apagar la cortadora de césped cuando cruce cualquier área con grava; las piedras pueden ser lanzadas al aire por las cuchillas que rotan.
- Ajuste la cortadora de césped a la altura de corte máxima cuando corte el césped en terreno desigual o en pasto alto.
- Para triturar de manera efectiva, no corte pasto mojado; dicho pasto tiende a pegarse a la parte inferior de la plataforma, con lo cual previene la trituración adecuada del pasto cortado. El mejor momento para cortar el pasto es a última hora de la tarde, cuando el pasto está seco y el área recién cortada no estará expuesta a la luz solar directa.
- Para obtener el mejor rendimiento de trituración, ajuste la altura de corte para retirar aproximadamente un tercio de la longitud de las briznas de pasto, idealmente no más de 1-1/2 pulgadas (38 mm) a la vez. Si el pasto ha crecido demasiado, es posible que sea necesario aumentar la altura de corte para facilitar el corte de césped y prevenir la sobrecarga del motor. Reduzca el ritmo de corte en condiciones de pasto alto o grueso. Para triturar pasto sumamente grueso o alto, es aconsejable cortar primero usando un ajuste de la altura de corte grande y luego cortar de nuevo hasta la altura de corte final. De lo contrario, haga cortes más estrechos y más lentamente. **ASEGÚRESE SIEMPRE DE QUE LAS CUCHILLAS ESTÉN AFILADAS.**

## MANTENIMIENTO

**⚠ ADVERTENCIA:** Para evitar lesiones corporales graves, retire siempre el paquete de batería de la cortadora de césped antes de realizar limpieza o efectuar cualquier mantenimiento.

**⚠ ADVERTENCIA:** Cuando haga servicio de ajustes y reparaciones, utilice solo piezas de repuesto idénticas. Es posible que el uso de cualquier otra pieza cree un peligro o cause daños al producto. Para garantizar la seguridad y la confiabilidad, todas las reparaciones deberán ser realizadas por un técnico de servicio calificado.

### REEMPLAZO DE LAS CUCHILLAS

**⚠ ADVERTENCIA:** Protéjase siempre las manos usando guantes gruesos o envolviendo los bordes de corte con trapos u otros materiales cuando realice cualquier mantenimiento en las cuchillas de la cortadora de césped. Retire siempre el paquete de batería cuando haga servicio de ajustes y reparaciones o transporte la cortadora de césped.

**AVISO:** Se requieren las siguientes herramientas (no incluidas) para reemplazar las cuchillas:

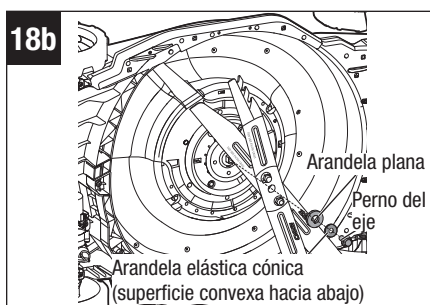
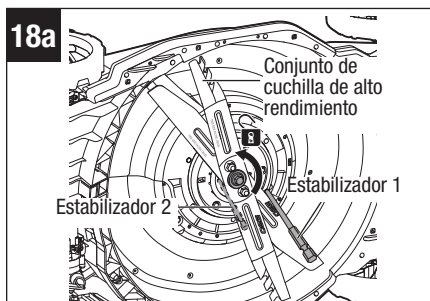
- Llave de tuerca ajustable de 9/16 de pulgada (14 mm) (se recomienda una llave de impacto con una bocallave de 9/16 de pulgada [14 mm])
- Llave de torsión con una bocallave de 9/16 de pulgada (14 mm)
- Destornillador manual o varilla metálica con un diámetro de 5/16 de pulgada (8 mm) o menos
- Destornillador manual o varilla metálica con un diámetro de 1/4 de pulgada (6,35 mm) o menos

## Reemplazo del conjunto de cuchilla

### Para desinstalar el conjunto de cuchilla

En la Fig. 18a se muestra el conjunto de cuchilla de alto rendimiento.

1. Pare el motor y retire el paquete de batería y la bolsa de pasto de la cortadora de césped.
2. Voltee la cortadora de césped sobre uno de sus lados.
3. Inserte una varilla metálica (estabilizador 1) de 5/16 de pulgada (8 mm) de  $\varnothing$  o menos en el agujero del estabilizador para impedir que la cuchilla rote al aflojar el perno del eje.
4. Utilice la llave de tuerca de 9/16 de pulgada (14 mm) para girar el perno del eje EN SENTIDO CONTRARIO AL DE LAS AGUJAS DEL RELOJ para aflojar y retirar el perno del eje (Fig. 18a).



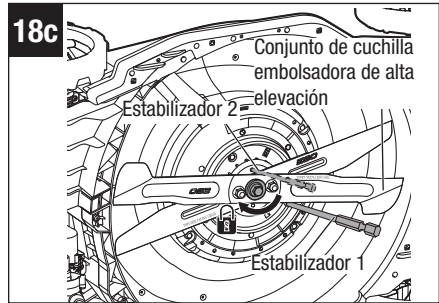
**AVISO:** Si el perno del eje rota con el eje del motor al aflojar dicho perno, coloque otra varilla metálica con un diámetro de menos de 1/4 de pulgada (6,35 mm) en el agujero ubicado en el ventilador para que actúe como estabilizador 2.

5. Retire la arandela elástica cónica, la arandela plana y el juego de cuchillas (Fig. 18b).
6. Deje el ventilador en el eje del motor.

## Para reemplazar el conjunto de cuchilla

En la Fig. 18c se muestra el conjunto de cuchilla embolsadora de alta elevación (no incluido).

**AVISO:** Para reinstalar o reemplazar el conjunto de cuchilla, asegúrese de reinstalar las piezas en el orden exacto en que se retiraron.



7. Posicione el conjunto de cuchilla sobre la brida interna del ventilador con la superficie de la cuchilla inferior marcada con las palabras **“THIS SIDE FACING GRASS”** (ESTE LADO ORIENTADO HACIA EL PASTO) orientadas hacia fuera.
8. Alinee la arandela plana con el eje del motor y móntela en su lugar.
9. Coloque la arandela de resorte cónica en el perno del eje con la superficie convexa hacia abajo, monte el perno del eje en el eje y apriete el perno con los dedos en el sentido de las agujas del reloj (Fig. 18b).
10. Inserte la varilla metálica (estabilizador 1) como ayuda, de la manera que se muestra en la Fig. 18c.
11. Utilice la llave de torsión de 9/16 de pulgada (14 mm) para apretar el perno del eje EN EL SENTIDO DE LAS AGUJAS DEL RELOJ. La fuerza de torsión recomendada para el perno del conjunto de cuchilla es de 36-43 pies-lb (50-60 Nm).

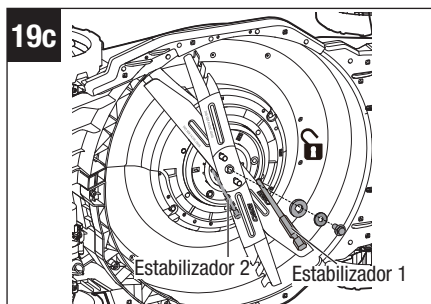
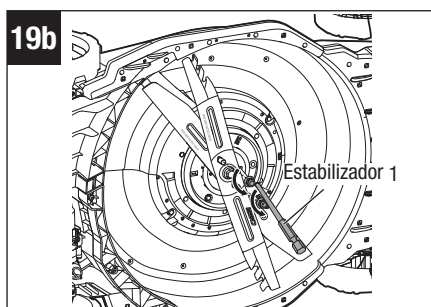
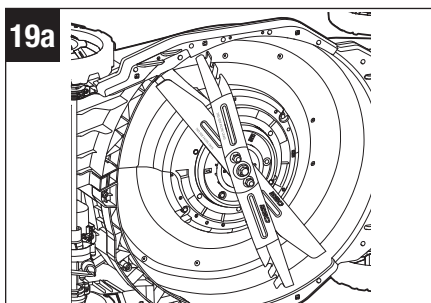
**AVISO:** Si el perno del eje rota con el eje del motor al apretar dicho perno, coloque otra varilla metálica pequeña para que actúe como estabilizador 2.

## Reemplazo de las cuchillas por separado

### Para desinstalar las cuchillas

1. Pare el motor; retire el paquete de batería de la cortadora de césped.
2. Voltee la cortadora de césped sobre uno de sus lados (Fig. 19a).
3. Use guantes protectores. Inserte la varilla metálica con un diámetro de 5/16 de pulgada (8 mm) en el agujero del estabilizador (estabilizador 1) para bloquear las cuchillas. Utilice la llave de tuerca de 9/16 de pulgada (14 mm) para aflojar y retirar las dos tuercas (Fig. 19b). **GUARDE LAS DOS TUERCAS PARA REENSAMBLAR LAS CUCHILLAS MÁS TARDE.**
4. Utilice la llave para aflojar y quitar el perno del eje, la arandela elástica cónica y la arandela plana (Fig. 19c).

**AVISO:** Si el perno del eje rota con el eje del motor durante el aflojamiento, coloque otra varilla metálica con un diámetro inferior a 1/4 de pulgada (6,35 mm) en el agujero más pequeño del ventilador para que actúe como estabilizador 2.

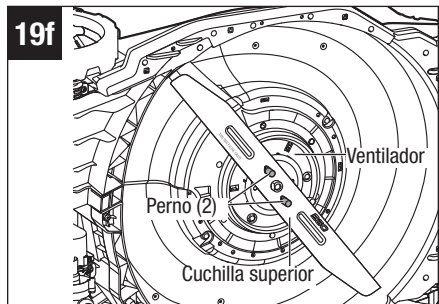
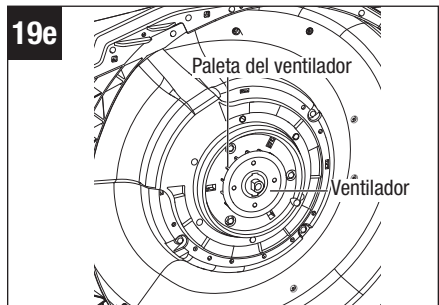
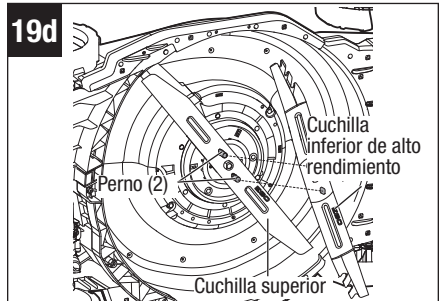


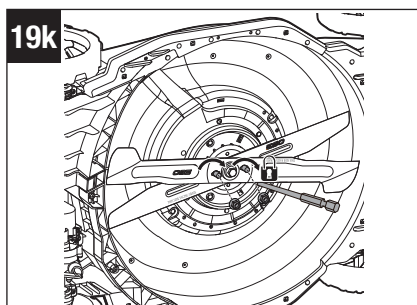
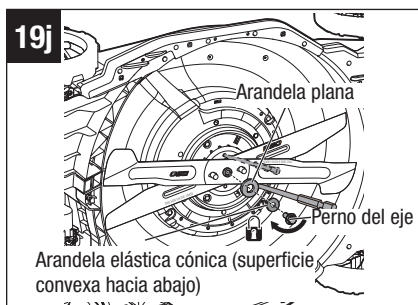
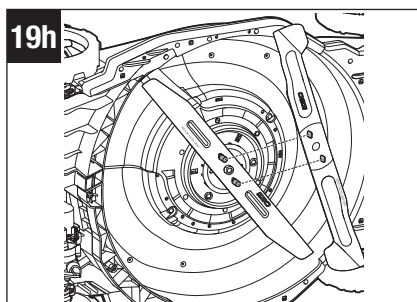
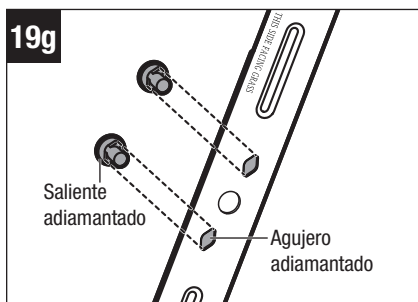
5. Retire la cuchilla inferior de alto rendimiento y la cuchilla superior del eje del motor (Fig. 19d). Retire los dos pernos de la cuchilla superior. **GUARDE LOS DOS PERNOS PARA REENSAMBLAR LAS CUCHILLAS MÁS TARDE.**
6. Deje el ventilador en el eje del motor. Asegúrese de que la paleta del ventilador esté orientada hacia la plataforma (Fig. 19e).

### Para instalar las cuchillas

**AVISO:** Para reinstalar o reemplazar la cuchilla (las cuchillas), asegúrese de ensamblar las piezas en el orden exacto en el que se retiraron, asegurándose especialmente de que la frase **“THIS SIDE FACING GRASS”** (ESTE LADO ORIENTADO HACIA EL PASTO) ubicada en la cuchilla superior y en la cuchilla inferior esté orientada hacia fuera.

7. Use guantes protectores.
8. Inserte los dos pernos en la cuchilla superior desde el lado trasero que dice **“THIS SIDE FACING GRASS”** (ESTE LADO ORIENTADO HACIA EL PASTO) y luego posicione la cuchilla superior en el eje del motor (Fig. 19f).





**AVISO:** El saliente adiamantado ubicado en los pernos deberá estar alineado con el agujero adiamantado ubicado en la cuchilla superior (Fig. 19g).

9. Dependiendo de su preferencia, monte la cuchilla inferior seleccionada en el eje del motor (consulte el capítulo “**SISTEMA DE CORTE SELECT CUT™**” de este manual). En la Fig. 19h se ilustra la cuchilla embolsadora inferior de alta elevación.

**AVISO:** El agujero adiamantado ubicado en la cuchilla inferior deberá encajar en el saliente adiamantado ubicado en los pernos.

10. Inserte la varilla de metal para bloquear las cuchillas, coloque la arandela de resorte cónica en el perno del eje con la superficie convexa hacia abajo, instale la arandela plana y el perno del eje en el eje del motor y apriete con los dedos el perno del eje en SENTIDO HORARIO. Apriete el perno del eje a 36-43 ft-lb (50-60 Nm) (Fig. 19j).

**AVISO:** Si el perno del eje rota con el eje del motor durante el apriete, coloque otra varilla metálica en el agujero más pequeño del ventilador para que actúe como estabilizador 2.

11. Instale las dos tuercas en los pernos y apriételas con los dedos EN EL SENTIDO DE LAS AGUJAS DEL RELOJ. Apriete las dos tuercas hasta 22 pies-lb (30 Nm) (Fig. 19k).

## AFILADO DE LAS CUCHILLAS

**⚠ ADVERTENCIA:** Protéjase siempre las manos usando guantes gruesos o envolviendo los bordes de corte con trapos u otros materiales cuando realice cualquier mantenimiento en las cuchillas de la cortadora de césped. Retire siempre el paquete de batería cuando haga servicio de ajustes y reparaciones o transporte la cortadora de césped.

**⚠ ADVERTENCIA:** Use protección ocular adecuada mientras retira, afila e instala las cuchillas.

**⚠ ADVERTENCIA:** Una cuchilla desgastada, agrietada o dañada puede romperse y los pedazos de la cuchilla dañada se pueden convertir en proyectiles peligrosos. Los objetos lanzados al aire pueden causar lesiones graves. Inspeccione periódicamente la cuchilla y no utilice la cortadora de césped con una cuchilla desgastada o dañada.

**AVISO:** Mantenga afilada la cuchilla para obtener el mejor rendimiento de la cortadora de césped. Una cuchilla desafilada no corta el pasto limpiamente ni tritura adecuadamente.

Una cuchilla desafilada se puede afilar, pero una cuchilla que esté excesivamente desgastada, doblada, agrietada o dañada de alguna otra manera debe ser reemplazada. Una cuchilla desgastada o dañada se puede romper, haciendo que los pedazos de la cuchilla sean lanzados al aire desde la cortadora de césped.

Si se comprueba que la cuchilla está doblada, lleve la cortadora de césped a un centro de servicio EGO autorizado para inspección.

### Frecuencia de afilado

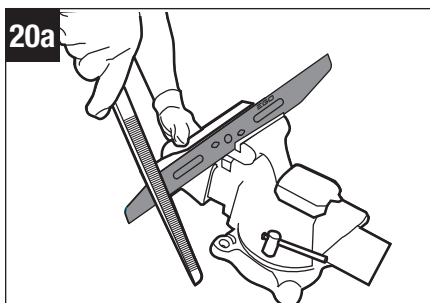
Afilar la cuchilla dos veces durante una temporada de corte de césped es habitualmente suficiente en circunstancias normales. La arena hace que la cuchilla se desafilé rápidamente; si su césped tiene terreno arenoso, es posible que se requiera un afilado más frecuente.

## Cuando afile la cuchilla:

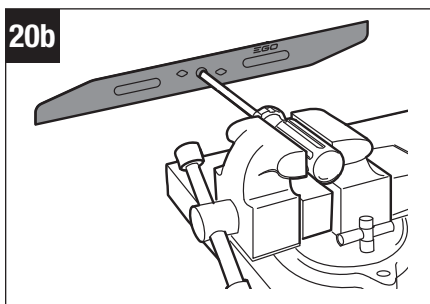
- Asegúrese de que la cuchilla permanezca equilibrada.
- Afile la cuchilla con el ángulo de corte original.
- Afile los bordes de corte en ambos extremos de la cuchilla, retirando una cantidad de material igual de cada extremo.

## Para afilar una cuchilla en una prensa de tornillo:

1. Retire la cuchilla de la cortadora de césped.
2. Fije la cuchilla en una prensa de tornillo (Fig. 20a).
3. Use protección ocular adecuada y guantes adecuados, y tenga cuidado de no cortarse.



4. Lime cuidadosamente los bordes de corte de la cuchilla con una lima de dientes finos o una piedra de afilar, manteniendo el ángulo del borde de corte original.



5. Para comprobar el equilibrio de la cuchilla: sujete con abrazaderas un clavo o un destornillador con vástago redondo en posición horizontal. Posicione la cuchilla de manera que el clavo o el vástago redondo del destornillador soporte la cuchilla a través de su agujero central. Equilibre la cuchilla horizontalmente. Si cualquiera de los extremos de la cuchilla rota hacia abajo, elimine un poco de metal del extremo pesado o inferior hasta que la cuchilla esté equilibrada. La cuchilla está equilibrada cuando ninguno de los extremos desciende (Fig. 20b).

6. Reinstale la cuchilla en la cortadora de césped y apriétela firmemente.

**⚠ ADVERTENCIA:** Una cuchilla desequilibrada causará vibración excesiva cuando rote a altas velocidades. Es posible que cause daños a la cortadora de césped y se podría romper, causando lesiones corporales.

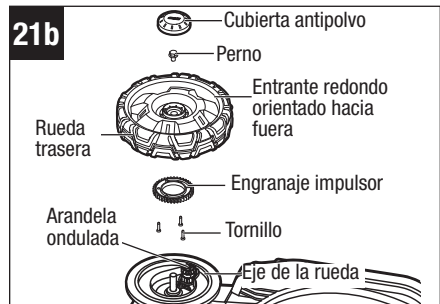
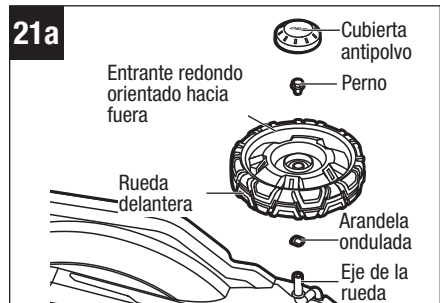
## LUBRICACIÓN DE LA CORTADORA DE CÉSPED

Todos los cojinetes de este producto están lubricados con una cantidad suficiente de lubricante de alta calidad para la vida útil de la unidad en condiciones de utilización normales. Por lo tanto, no se requiere lubricación adicional de los cojinetes.

## REEMPLAZO DE LAS RUEDAS (Fig. 21a, 21b y 21c)

**⚠ ADVERTENCIA:** Retire siempre el paquete de batería cuando haga servicio de ajustes y reparaciones de la cortadora de césped o la transporte.

1. Voltee la cortadora de césped sobre uno de sus lados con la superficie superior contra una pared.
2. Utilice un destornillador de hoja plana (no incluido) para hacer palanca en la cubierta antipolvo alejándola de la rueda.
3. Utilice una llave de tuerca ajustable o de 1/2 pulgada (13 mm) para girar el perno en sentido contrario al de las agujas del reloj con el fin de aflojarlo.



4. Retire el perno, la rueda desgastada y la arandela ondulada del eje de la rueda.

### NOTA:

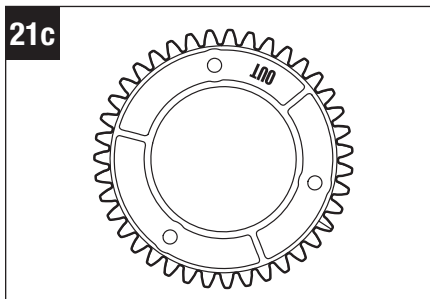
- Cuando reemplace la rueda trasera, retire el engranaje impulsor de la rueda desgastada y ensámblelo en la rueda nueva con los 3 tornillos utilizando un destornillador Torx T20 (no incluido).

- Cuando monte el engranaje impulsor, la superficie del engranaje que indica “OUT” (FUERA) deberá estar orientada hacia fuera (Fig. 21c).

5. Monte la arandela ondulada y la rueda nueva en el eje de la rueda. Tenga presente que el entrante redondo debe estar orientado hacia fuera.

6. Fije la rueda con el perno apretándolo en el sentido de las agujas del reloj.

7. Monte la cubierta antipolvo sobre la rueda y presiónela en la posición correcta.



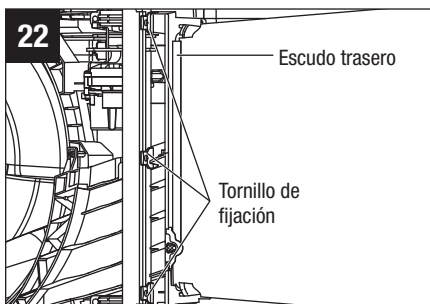
## REEMPLAZO DEL ESCUDO TRASERO (Fig. 22)

**⚠ ADVERTENCIA:** Retire siempre el paquete de batería cuando haga servicio de ajustes y reparaciones de la cortadora de césped o la transporte.

**⚠ ADVERTENCIA:** No utilice nunca la cortadora de césped a menos que el escudo trasero esté en la posición correcta y funcionando. No utilice nunca la cortadora de césped con dispositivos de seguridad dañados. Si no lo hace así, el resultado puede ser lesiones corporales. El escudo trasero está sujeto a desgaste y daños, lo cual podría dejar al descubierto las piezas móviles o permitir que se lancen objetos al aire. Por protección de seguridad, compruebe frecuentemente el escudo trasero y reemplácelo inmediatamente solo por la pieza de repuesto idéntica indicada en este manual.

El escudo trasero está sujeto a desgaste y daños, lo cual podría dejar al descubierto las piezas móviles o permitir que se lancen objetos al aire. Por protección de seguridad, compruebe frecuentemente el escudo trasero y reemplácelo inmediatamente solo por la pieza de repuesto idéntica indicada en este manual.

1. Retire la batería.
2. Voltee la cortadora de césped sobre uno de sus lados con la superficie superior contra la pared.
3. Utilice un destornillador Torx T20 (no incluido) para aflojar y retirar los tres tornillos de fijación ubicados en el escudo trasero; retire el escudo trasero desgastado (Fig. 22).



4. Reemplace el escudo trasero por uno nuevo e instálelo con los tres tornillos de fijación.

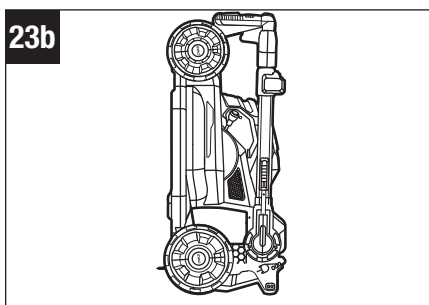
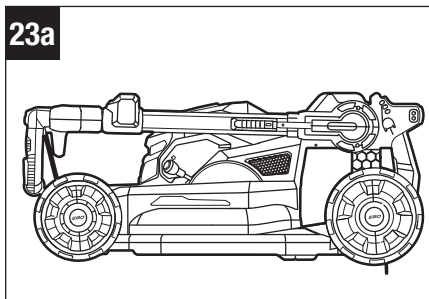
## **ALMACENAMIENTO DE LA CORTADORA DE CÉSPED**

Se deberán seguir los siguientes pasos para preparar la cortadora de césped para su almacenamiento:

1. Retire el paquete de batería de la cortadora de césped y almacénelo a temperatura ambiente en un lugar seco.
2. Vacíe la bolsa de pasto antes de almacenar.
3. Deje siempre que el cortacésped se enfríe antes de guardarlo.
4. Limpie la cortadora de césped tal como se describe anteriormente en la sección **“MANTENIMIENTO”**.
5. Inspeccione la cuchilla y reemplácela o afílela, en caso de que se requiera.
6. Almacene la cortadora de césped en un lugar limpio y seco. No la almacene cerca de materiales corrosivos, tales como fertilizante o sal de roca.
7. Almacene la cortadora de césped en un espacio cubierto y cerrado que esté fresco y seco, y fuera del alcance de los niños.
8. No cubra la cortadora de césped con una lámina de plástico macizo. Las cubiertas de plástico atrapan la humedad alrededor de la cortadora de césped, lo cual causa oxidación y corrosión.

## El ensamblaje de la agarradera se puede plegar completamente con fines de almacenamiento:

1. Desinstale la bolsa de pasto.
2. Mueva la palanca de ajuste de la altura de corte hacia la parte delantera y acóplela en el ajuste más bajo (ajuste 1).
3. Abra la abrazadera de fijación de la agarradera y retraiga completamente los rieles laterales hasta la posición compacta.
4. Presione y mantenga presionada la palanca de ajuste rápido con una mano para soltar la agarradera. Pivote suavemente la agarradera hacia la parte delantera de la cortadora de césped; suelte la palanca de ajuste rápido y siga pivotando la agarradera hasta que oiga y sienta que el pasador de fijación se acopla en la posición de almacenamiento bloqueada.
5. Almacene la cortadora de césped en posición plana o en posición vertical (Fig. 23a y 23b).



**⚠ ADVERTENCIA:** Si la cortadora de césped se inclina desde la posición vertical, es posible que el resultado sea daños a la cortadora de césped o lesiones corporales. Mantenga siempre la cortadora de césped estable y fuera del alcance de los niños cuando esté en posición vertical. Si es posible, póngala en posición plana para su almacenamiento.

## RESOLUCIÓN DE PROBLEMAS

PROBLEMA	CAUSA	SOLUCIÓN
La cortadora de césped o el sistema de autopropulsión no arrancan.	<ul style="list-style-type: none"> <li>La carga del paquete de batería está agotada.</li> </ul>	<ul style="list-style-type: none"> <li>Cargue el paquete de batería.</li> </ul>
	<ul style="list-style-type: none"> <li>El paquete de batería no está insertado correctamente en el compartimiento de la batería.</li> </ul>	<ul style="list-style-type: none"> <li>Inserte el paquete de batería en el compartimiento de la batería hasta que oiga un "clic".</li> </ul>
	<ul style="list-style-type: none"> <li>La agarradera no está bloqueada en una posición de utilización y el indicador de estado de la cortadora de césped parpadea en verde.</li> </ul>	<ul style="list-style-type: none"> <li>Detenga la cortadora de césped y asegúrese de que la agarradera esté bloqueada en una de las tres posiciones de utilización.</li> </ul>
	<ul style="list-style-type: none"> <li>La plataforma de la cortadora de césped está obstruida con pasto y residuos.</li> </ul>	<ul style="list-style-type: none"> <li>Limpie la plataforma de la cortadora de césped y asegúrese de que la cuchilla tenga libertad de movimiento.</li> </ul>
	<ul style="list-style-type: none"> <li>El dial de velocidad de autopropulsión está en la posición más baja (APAGADO).</li> </ul>	<ul style="list-style-type: none"> <li>Rote ligeramente hacia delante el dial de velocidad de autopropulsión y luego presione el gatillo de autopropulsión.</li> </ul>
La cortadora de césped corta desigualmente.	<ul style="list-style-type: none"> <li>La cuchilla está desafilada.</li> </ul>	<ul style="list-style-type: none"> <li>Afile o reemplace la cuchilla.</li> </ul>
	<ul style="list-style-type: none"> <li>La altura de corte del pasto no está ajustada correctamente.</li> </ul>	<ul style="list-style-type: none"> <li>Mueva la altura de la plataforma a un ajuste más alto.</li> </ul>
	<ul style="list-style-type: none"> <li>La cuchilla está instalada incorrectamente.</li> </ul>	<ul style="list-style-type: none"> <li>Reinstale la cuchilla, siguiendo la sección "<b>INSTALACIÓN DE LAS CUCHILLAS</b>" de este manual.</li> </ul>
	<ul style="list-style-type: none"> <li>El modo de velocidad de las cuchillas no está ajustado correctamente.</li> </ul>	<ul style="list-style-type: none"> <li>Seleccione un modo de velocidad de las cuchillas que sea adecuado.</li> </ul>

PROBLEMA	CAUSA	SOLUCIÓN
Tiempo de funcionamiento corto de la cortadora de césped con la batería incluida.	<ul style="list-style-type: none"> <li>Las condiciones del pasto y el ajuste de la altura de corte afectarán enormemente al tiempo de funcionamiento de la batería. El tiempo de funcionamiento indicado se basa en una situación de carga de trabajo ligera.</li> </ul>	<ul style="list-style-type: none"> <li>Suba la altura de las cuchillas y disminuya el ritmo de corte para reducir la carga de corte.</li> </ul>
	<ul style="list-style-type: none"> <li>El modo de velocidad de las cuchillas no está ajustado correctamente.</li> </ul>	<ul style="list-style-type: none"> <li>Seleccione un modo de velocidad de las cuchillas más lento.</li> </ul>
La cortadora de césped no tritura correctamente.	<ul style="list-style-type: none"> <li>El pasto cortado mojado se está pegando a la parte inferior de la plataforma.</li> </ul>	<ul style="list-style-type: none"> <li>Espere hasta que el pasto se seque antes de cortarlo.</li> </ul>
	<ul style="list-style-type: none"> <li>La cortadora de césped está configurada para cortar demasiado pasto a la vez.</li> </ul>	<ul style="list-style-type: none"> <li>Suba la plataforma hasta un ajuste de la altura de corte mayor.</li> </ul>
	<ul style="list-style-type: none"> <li>El modo de velocidad de las cuchillas no está ajustado correctamente.</li> </ul>	<ul style="list-style-type: none"> <li>Seleccione un ajuste de la velocidad de las cuchillas más bajo.</li> </ul>

PROBLEMA	CAUSA	SOLUCIÓN
<p>La cortadora de césped se detiene inesperadamente mientras está cortando.</p>	<ul style="list-style-type: none"> <li>La carga del paquete de batería está agotada.</li> </ul>	<ul style="list-style-type: none"> <li>Cargue el paquete de batería.</li> </ul>
	<ul style="list-style-type: none"> <li>La cortadora de césped está sobrecargada y el indicador de estado de la cortadora de césped parpadea en naranja.</li> </ul>	<ul style="list-style-type: none"> <li>Compruebe si se ha acumulado pasto debajo de la plataforma y límpiela para eliminar el pasto si es necesario. Suba la altura de corte o disminuya el ritmo de corte de césped.</li> </ul>
	<ul style="list-style-type: none"> <li>La plataforma de la cortadora de césped está obstruida con pasto y residuos.</li> </ul>	<ul style="list-style-type: none"> <li>Desobstruya la plataforma de la cortadora de césped. Suba la altura de corte y/o corte una franja más estrecha.</li> </ul>
	<ul style="list-style-type: none"> <li>El paquete de batería o la circuitería de la cortadora de césped están demasiado calientes. Si el paquete de batería está sobrecalentado, el indicador de estado de la cortadora de césped se apaga. Si la cortadora de césped está sobrecalentada, el indicador de estado de la cortadora de césped se ilumina en naranja continuo.</li> </ul>	<ul style="list-style-type: none"> <li>Deje que el paquete de batería o la cortadora de césped se enfríen.</li> </ul>
	<ul style="list-style-type: none"> <li>El modo de velocidad de las cuchillas no está ajustado correctamente.</li> </ul>	<ul style="list-style-type: none"> <li>Seleccione un ajuste de la velocidad de las cuchillas más bajo.</li> </ul>
	<ul style="list-style-type: none"> <li>Error del sistema electrónico de la cortadora de césped y el indicador de estado de la cortadora de césped parpadea en rojo/verde alternadamente.</li> </ul>	<ul style="list-style-type: none"> <li>Contacte a Servicio al Cliente de EGO.</li> </ul>

PROBLEMA	CAUSA	SOLUCIÓN
Hay vibración excesiva.	<ul style="list-style-type: none"> <li>El ajuste de la cuchilla de corte está flojo.</li> </ul>	<ul style="list-style-type: none"> <li>Apriete el perno del eje.</li> </ul>
	<ul style="list-style-type: none"> <li>La cuchilla de corte está desequilibrada.</li> </ul>	<ul style="list-style-type: none"> <li>Equilibre el ajuste de las cuchillas siguiendo “<b>AFILADO DE LAS CUCHILLAS</b>”.</li> </ul>
	<ul style="list-style-type: none"> <li>La(s) cuchilla(s) de corte está(n) doblada(s)</li> </ul>	<ul style="list-style-type: none"> <li>Reemplace la cuchilla (las cuchillas).</li> </ul>
	<ul style="list-style-type: none"> <li>El eje del motor está doblado.</li> </ul>	<ul style="list-style-type: none"> <li>Contacte a Servicio al Cliente de EGO.</li> </ul>
	<ul style="list-style-type: none"> <li>La cortadora de césped está configurada para cortar demasiado pasto a la vez.</li> </ul>	<ul style="list-style-type: none"> <li>Suba la plataforma hasta un ajuste de la altura de corte mayor.</li> </ul>
	<ul style="list-style-type: none"> <li>El modo de velocidad de las cuchillas no está ajustado correctamente.</li> </ul>	<ul style="list-style-type: none"> <li>Seleccione un ajuste de la velocidad de las cuchillas más bajo.</li> </ul>
Es difícil jalar hacia atrás la cortadora de césped después de apagar la autopropulsión.	<ul style="list-style-type: none"> <li>Las ruedas están bloqueadas temporalmente.</li> </ul>	<ul style="list-style-type: none"> <li>Simplemente empuje ligeramente hacia delante la cortadora de césped o suba las ruedas traseras y luego mueva la cortadora de césped según lo desee.</li> </ul>
Es difícil maniobrar la cortadora de césped al cortar alrededor de un objeto o cortar hacia atrás y hacia delante con la autopropulsión encendida.	<ul style="list-style-type: none"> <li>Las ruedas están bloqueadas temporalmente.</li> </ul>	<ul style="list-style-type: none"> <li>Apague la autopropulsión.</li> </ul>

PROBLEMA	CAUSA	SOLUCIÓN
El motor funciona, pero el ajuste de las cuchillas no corta el pasto.	<ul style="list-style-type: none"><li>■ El perno del eje no está apretado con la fuerza de torsión requerida.</li></ul>	<ul style="list-style-type: none"><li>■ Reapriete el perno del eje. La fuerza de torsión recomendada es de 36-43 pies-lb (50-60 Nm).</li></ul>
Dificultad para mover la perilla selectora de pasto cortado de un lado a otro.	<ul style="list-style-type: none"><li>■ Se ha acumulado un exceso de pasto cortado encima de la puerta deslizante.</li></ul>	<ul style="list-style-type: none"><li>■ Elimine el pasto de la plataforma de la cortadora de césped después de cada uso.</li></ul>



# GARANTÍA LIMITADA DE EGO

## TÉRMINOS Y DURACIÓN DE LA PÓLIZA DE GARANTÍA

Chervon North America, Inc. ("Chervon North America"), proporciona la siguiente Garantía Limitada para los productos EGO al comprador original de productos EGO.

El período de garantía detallado de cada producto EGO se puede encontrar en línea en <http://egopowerplus.com/warranty-policy>.

**Sírvase contactar a Servicio al Cliente de EGO llamando gratis al 1-855-EGO-5656** en cualquier momento en que tenga preguntas o reclamos de garantía.

## GARANTÍA LIMITADA DE SERVICIO

Los productos EGO están garantizados contra defectos de material o de fabricación a partir de la fecha de compra minorista original durante el período de garantía aplicable. Para cualquier reclamo de garantía presentado de manera adecuada y oportuna, si Chervon North America determina que un producto presenta algún defecto durante el período de garantía, dicho producto recibirá una reparación o un remplazo gratuitos, según lo determine Chervon North America.

## CÓMO OBTENER SERVICIO

Para obtener servicio de garantía, dentro del período de garantía aplicable, sírvase contactar a servicio al cliente de EGO llamando gratis al **1-855-EGO-5656**. Cuando solicite servicio de garantía, deberá presentar el recibo de venta fechado original. Se seleccionará un centro de servicio autorizado para evaluar y reparar el producto si el mismo presenta algún defecto de acuerdo con los términos establecidos en la garantía. Cuando lleve su producto al centro de servicio autorizado, es posible que se requiera un pequeño depósito cuando deje allí su herramienta. Este depósito es reembolsable cuando se considere que el servicio de reparaciones esté cubierto bajo garantía. El comprador es responsable del transporte de cualquier equipo o aditamento de energía para exteriores a sus expensas.

## LIMITACIONES Y EXCLUSIONES ADICIONALES

Esta garantía limitada se aplica solo al comprador original que realice la compra a un minorista EGO autorizado y no es transferible. Los productos EGO no serán considerados defectuosos, y esta garantía no se aplicará, en los casos en que el defecto por el que se presente el reclamo sea atribuible a cualquier causa que no sean los defectos definidos anteriormente en este documento. Esta garantía quedará anulada si el producto se ha utilizado para fines de alquiler. Esta garantía no se aplicará a daños causados por accidente, abuso, uso incorrecto, alteración, modificación, reparación no autorizada, contacto con líquidos, incendio, terremoto u otra causa externa; utilización del producto sin seguir las instrucciones, especificaciones o pautas de EGO; o no hacer servicio de ajustes y reparaciones o no mantener adecuadamente el producto. Esta garantía tampoco se aplica a los daños cosméticos, incluyendo, pero sin limitarse a ello, rasguñaduras o abolladuras; defectos causados por el desgaste por el uso normal o defectos que de alguna otra manera se deban al envejecimiento normal del producto.

ESTA GARANTÍA EXPRESA SE DA EN LUGAR DE TODAS LAS DEMÁS GARANTÍAS, EXPRESAS O IMPLÍCITAS, INCLUYENDO, PERO SIN LIMITARSE A ELLO, TODAS LAS GARANTÍAS DE COMERCIABILIDAD O IDONEIDAD PARA UN PROPÓSITO O USO ESPECÍFICO, LAS CUALES QUEDAN EXCLUIDAS. Todas las garantías implícitas, incluyendo las garantías de comerciabilidad o idoneidad para un propósito específico, que no se puedan excluir bajo la ley estatal, están limitadas al período de garantía aplicable definido al comienzo de este artículo. El remedio único y exclusivo en conexión con la compra, instalación, uso y/o rendimiento de los productos EGO es la reparación o el reemplazo del producto tal y como lo determine Chervon North America. La responsabilidad máxima de North America no excederá en ningún caso el precio de compra pagado por el producto. CHERVON NORTH AMERICA NO SERÁ RESPONSABLE ANTE EL USUARIO NI ANTE NADIE MÁS POR DAÑOS EMERGENTES, INCIDENTALES, ESPECIALES, EJEMPLARES, INDIRECTOS O PUNITIVOS QUE SURJAN DEL USO DE LOS PRODUCTOS, INCLUYENDO, PERO SIN LIMITARSE A ELLO, LESIONES CORPORALES, MUERTE, DAÑOS MATERIALES, GANANCIAS PERDIDAS U OTROS PERJUICIOS ECONÓMICOS. Esta garantía le confiere a usted derechos legales específicos y es posible que usted tenga también otros derechos que varían de un estado a otro. Algunos estados no permiten limitaciones en cuanto a la duración de una garantía implícita, la exclusión o limitación de los daños incidentales o emergentes, o las limitaciones al tiempo para emprender ciertas acciones legales, por lo que las limitaciones contenidas en el presente documento no se aplican a los consumidores individuales de esos estados.



Esta garantía está sujeta a la ley de Michigan y se interpretará de acuerdo con dicha ley, con independencia de los principios sobre conflictos de leyes. No se emprenderá ninguna acción legal contra Chervon North America a menos que se presente dentro del plazo de un (1) año después de que se tenga conocimiento de la base de dicha acción legal o de la cual se debiera haber tenido conocimiento con el ejercicio de una diligencia razonable. Se considerará que se ha renunciado a cualquier acción legal que no se presente oportunamente.

Para obtener servicio al cliente, contáctenos llamando gratis al **1-855-EGO-5656** o en **EGOPOWERPLUS.COM**.

EGO Customer Service,  
769 Seward Ave. NW, Suite 102,  
Grand Rapids, Michigan 49504.

09/24

**184**

CORTADORA DE CÉSPED DE 22 PULGADAS INALÁMBRICA DE ION LITIO DE 56 V — LM2230SP/LM2230SP-FC