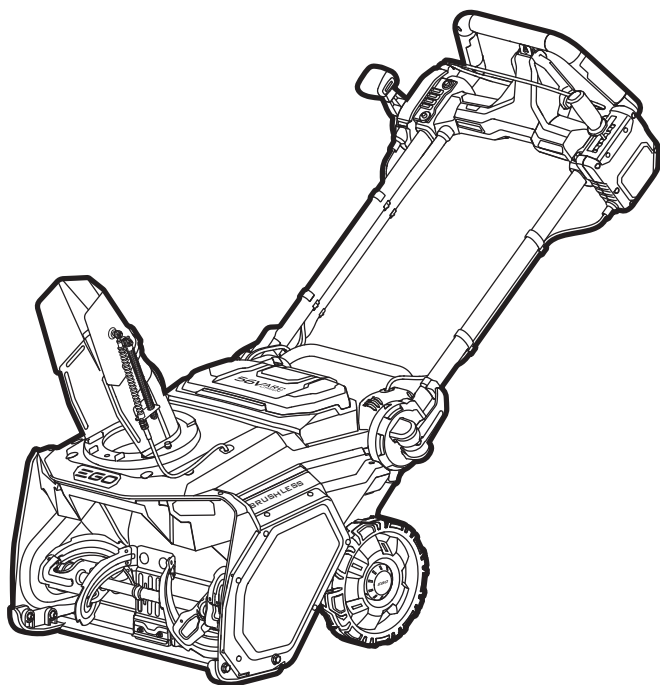


EGO™

POWER⁺ SNOW BLOWER™



OPERATOR'S MANUAL

56-VOLT LITHIUM-ION CORDLESS SNOW BLOWER

Français p. 45

Español p. 97

MODEL NUMBER

SNT2134/SNT2130/SNT2130-FC

⚠ WARNING: To reduce the risk of injury, the user must read and understand the Operator's Manual before using this product. Save these instructions for future reference.

READ ALL INSTRUCTIONS!



**READ & UNDERSTAND
OPERATOR'S MANUAL**

TABLE OF CONTENTS





Safety Symbols	3
Symbols	4-5
Safety Operation Practices for Walk-behind Snow Blower	5-10
Introduction	11
Specifications	12
Accessories	12
Description	13-16
Assembly	17-20
Operation	21-32
Maintenance	33-40
Troubleshooting	41-42
EGO Limited Warranty	43-44

SAFETY SYMBOLS

The purpose of safety symbols is to attract your attention to possible dangers. The safety symbols and the explanations with them deserve your careful attention and understanding. The symbol warnings do not, by themselves, eliminate any danger. The instructions and warnings they give are no substitutes for proper accident prevention measures.

⚠ WARNING: Be sure to read and understand all safety instructions in this Operator’s Manual, including all safety alert symbols such as “**DANGER**”, “**WARNING**”, and “**CAUTION**” before using this tool. Failure to follow all instructions listed below may result in electric shock, fire, and/or serious personal injury.

The definitions below describe the level of severity for each signal word. Please read the manual and pay attention to these symbols.

	<p>This is the safety alert symbol. It is used to alert you to potential personal injury hazards. Obey all safety messages that follow this symbol to avoid possible injury or death.</p>
	<p>DANGER indicates a hazardous situation which, if not avoided, will result in death or serious injury.</p>
	<p>WARNING indicates a hazardous situation which, if not avoided, could result in death or serious injury.</p>
	<p>CAUTION, used with the safety alert symbol, indicates a hazardous situation which, if not avoided, will result in minor or moderate injury.</p>








DAMAGE PREVENTION AND INFORMATION MESSAGES


These inform the user of important information and/or instructions that could lead to equipment or other property damage if they are not followed. Each message is preceded by the word “NOTICE”, as in the example below:

NOTICE: Equipment and/or property damage may result if these instructions are not followed.

SYMBOLS

This page depicts and describes symbols that may appear on this product. Read, understand, and follow all instructions on the product before attempting to assemble and operate.

	Safety Alert	Precautions that involve your safety
	Read & Understand Operator's Manual	To reduce the risk of injury, user must read and understand operator's manual before using this product.
	DANGER — Keep Hands Away from the Impeller (Auger)	Do not use hands to unclog the chute.
	Keep Feet out of Impeller (Auger)	Keep feet away from rotating impeller (auger)
	DANGER — Keep Hands and Feet Away	To reduce the risk of injury, keep hands and feet away from rotating parts. Do not operate unless discharge chute is in its proper place. If damaged, replace immediately.
	Ingestion Hazard	This product contains a button cell or coin battery.
	Recycle Symbol	This product uses Lithium-ion (Li-ion) batteries. Local, state, or federal laws may prohibit disposal of batteries in ordinary trash. Consult your local waste authority for information regarding available recycling and/or disposal options.
IP...	Ingress Protection (IP) Rating	Classifies the degree of protection provided by an enclosure, for electrical equipment.

V	Volt	Voltage
	Direct Current	Type or a characteristic of current
mm	Millimeter	Length or size
in.	Inch	Length or size
m	Meter	Length or size
ft	Feet	Length or size
kg	Kilogram	Weight
lbs	Pounds	Weight
°F	Degrees Fahrenheit	Temperature
°C	Degrees Celsius	Temperature

⚠ WARNING: To ensure safety and reliability, all repairs should be performed by a qualified service technician.

SAFE OPERATION PRACTICES FOR WALK-BEHIND SNOW BLOWER

⚠ WARNING: This snow blower is capable of amputating hands and feet and throwing objects. Failure to observe the following safety instructions could result in serious injury.

READ ALL INSTRUCTIONS

⚠ WARNING: When using electric gardening appliances, basic safety precautions should always be followed to reduce the risk of fire, electric shock, or injury to persons, including the following:

FOR ALL SNOW BLOWERS

- Do not use on graveled surface.
- Keep Children Away – All visitors should be kept a safe distance from work area.
- Dress Properly – Do not wear loose clothing or jewelry. They can be caught in moving parts.
- Wear rubber boots when operating the snow blower.

- Operation of the snow blower in the hand-held position is unsafe, except in accordance with the special instructions for such use provided in the operator's manual.
- Keep hands away from moving parts.
- Keep guards in place and in working order.
- Don't Force Snow Blower – It will perform better and safer at the rate for which it was designed.
- Don't Overreach – Keep proper footing and balance at all times.
- If the snow blower strikes a foreign object, follow these steps:
 - 1) Stop snow blower. Release the switch.
 - 2) Remove the battery pack(s).
 - 3) Inspect for damage.
 - 4) Repair any damage before restarting and operating the snow blower.
- Store Idle Snow Blowers Indoors – When not in use, snow blowers should be stored indoors in dry, locked-up place and out of reach of children.
- Maintain Snow Blowers with Care – Follow instructions for lubricating and changing accessories.

TRAINING

- Read, understand, and follow all instructions on the snow blower and in the manual(s) before operating this unit. Be thoroughly familiar with the controls and the proper use of the snow blower. Know how to stop the snow blower and disengage the controls quickly.
- Never allow children to operate the snow blower. Never allow adults to operate the snow blower without proper instruction.
- Keep the area of operation clear of all persons, particularly small children.
- Exercise caution to avoid slipping or falling, especially when operating the snow blower in reverse.

PREPARATION

- Thoroughly inspect the area where the snow blower is to be used and remove all doormats, sleds, boards, wires, and other foreign objects.
- Do not operate the snow blower without wearing adequate winter garments. Avoid loose-fitting clothing that can get caught in moving parts. Wear footwear that will improve footing on slippery surfaces.

- Never attempt to make any adjustments while the motor is running (except when specifically recommended by manufacturer).
- Always wear safety glasses or eye shields during operation or while performing an adjustment or repair to protect eyes from foreign objects that may be thrown from the snow blower.

OPERATION

- Prevent unintentional starting. Ensure the switch is in the off-position before connecting to battery pack, picking up or carrying the snow blower. Carrying the snow blower with your finger on the switch or energizing snow blower that has the switch on invites accidents.
- Do not put hands or feet near or under rotating parts. Keep clear of the discharger opening at all times.
- Exercise extreme caution when operating on or crossing gravel drives, walks, or roads. Stay alert for hidden hazards or traffic.
- After striking a foreign object, stop the motor, remove the battery pack(s), thoroughly inspect the snow blower for any damage, and repair the damage before restarting and operating the snow blower.
- If the snow blower should start to vibrate abnormally, stop the motor and check immediately for the cause. Vibration is generally a warning of trouble.
- Stop the motor whenever you leave the operating position, before unclogging the auger assembly housing or discharge chute, and when making any repairs, adjustments, or inspections.
- When clearing, repairing, or inspecting the snow blower, stop the motor and make certain the auger assembly and all moving parts have stopped. Remove the battery pack(s) to prevent someone from accidentally starting the motor.
- Exercise extreme caution when operating on slopes.
- Never operate the snow blower without proper guards and other safety protective devices in place and working.
- Never direct the discharge toward people or areas where property damage can occur. Keep children and others away.
- Do not overload the snow blower capacity by attempting to clear snow at too fast a rate.
- Disengage power to the auger assembly when snow blower is transported or not in use.

- Use only attachments and accessories approved by the manufacturer of the snow blower (such as rubber paddles, scraper bar, and drive belt).
- Never operate the snow blower without good visibility or light. Always be sure of your footing, and keep a firm hold on the handles. Walk; never run.
- Do not expose a battery pack or snow blower to fire or excessive temperature. Exposure to fire or temperature above 265 °F (130 °C) may cause explosion.
- Disconnect the battery pack from the snow blower before making any adjustments, changing accessories, or storing the snow blower. Such preventive safety measures reduce the risk of starting the snow blower accidentally.
- Recharge only with the charger specified by the manufacturer. A charger that is suitable for one type of battery pack may create a risk of fire when used with another battery pack.
- Use the snow blower only with specifically designated battery packs. Use of any other battery packs may create a risk of injury and fire.
- When battery pack is not in use, keep it away from other metal objects, like paper clips, coins, keys, nails, screws, or other small metal objects, that can make a connection from one terminal to another. Shorting the battery terminals together may cause burns or a fire.
- Under abusive conditions, liquid may be ejected from the battery; avoid contact. If contact accidentally occurs, flush with water. If liquid contacts eyes, additionally seek medical help. Liquid ejected from the battery may cause irritation or burns.
- Do not use a battery pack or snow blower that is damaged or modified. Damaged or modified batteries may exhibit unpredictable behavior resulting in fire, explosion or risk of injury.
- Follow all charging instructions and do not charge the battery pack or snow blower outside of the temperature range specified in the instructions. Charging improperly or at temperatures outside of the specified range may damage the battery and increase the risk of fire.
- Have servicing performed by a qualified repair person using only identical replacement parts. This will ensure that the safety of the product is maintained.
- Do not modify or attempt to repair the snow blower or the battery pack (as applicable) except as indicated in the instructions for use and care.

- Use only with the battery packs and chargers listed below:

BATTERY PACK	CHARGER
BA1400, BA1400-FC, BA2800, BA2800-FC, BA4200, BA4200-FC, BA1400T, BA1400T-FC, BA2242T, BA2242T-FC, BA2800T, BA2800T-FC, BA3360T, BA3360T-FC, BA4200T, BA4200T-FC, BA4480T, BA4480T-FC, BA5600T, BA5600T-FC, BA6720T, BA6720T-FC	CH2100, CH2100-FC, CH3200, CH3200-FC, CH5500, CH5500-FC, CH2800D, CH2800D-FC, CH7000, CH7000-FC

NOTICE: For best performance and maximum run time, it is recommended to use two 5.0Ah or higher Ah battery packs.

CLEARING A CLOGGED DISCHARGE CHUTE

Hand contact with the rotating auger assembly inside the discharge chute is the most common cause of injury associated with snow blowers. Never use your hand to clean out the discharge chute.

To clear the chute:

- **SHUT THE MOTORS OFF!**
- Remove the battery pack(s) from the snow blower.
- Wait 10 seconds to be sure the auger assembly blades have stopping rotating.
- Always use a clean-out tool, not your hands.

MAINTENANCE AND STORAGE

- Check all bolts or fasteners at frequent intervals for proper tightness to be sure the equipment is in safe working condition.
- Always refer to operator's manual for important details if the snow blower is to be stored for an extended period of time.
- Maintain or replace safety and instruction labels, as necessary.
- Run the snow blower a few minutes after blowing snow to prevent freeze-up of the auger assembly.

COIN BATTERY

- The product contains non-replaceable batteries.
- Remove and immediately recycle or dispose of used batteries according to local regulations and keep away from children. Do NOT dispose of batteries in household trash or incinerate.
- Even used batteries may cause severe injury or death.
- Call a local poison control center for treatment information.
- The type of the coin battery: CR2032HT
- Nominal voltage of the coin battery: 3V
- Non-rechargeable batteries are not to be recharged.
- Do not force discharge, recharge, disassemble, heat above (manufacturer's specified temperature rating) or incinerate. Doing so may result in injury due to venting, leakage or explosion resulting in chemical burns.

⚠ WARNING

- **INGESTION HAZARD:** This product contains a button cell or coin battery.
- **DEATH** or serious injury can occur if ingested.
- A swallowed button cell or coin battery can cause **Internal Chemical Burns** in as little as **2 hours**.
- **KEEP** new and used batteries **OUT OF REACH of CHILDREN**
- **SEEK immediate medical attention** if a battery is suspected to be swallowed or inserted inside any part of the body.



SAVE THESE INSTRUCTIONS! Refer to them frequently and use them to instruct others who may use this product. If you loan this product to someone else, also loan these instructions to them to prevent misuse of the product and possible injury.

INTRODUCTION


Congratulations on your selection of the new 56V Lithium-ion powered snow blower. It has been designed, engineered and manufactured to give you the best possible dependability and performance.

Should you experience any problem you cannot easily remedy, please contact EGO customer service 1-855-EGO-5656.

This manual contains important information on the safe assembly, operation and maintenance of your snow blower. Read it carefully before using the tool. Keep this manual handy so you can refer to it at any time.


SERIAL NUMBER _____ DATE OF PURCHASE _____
YOU SHOULD RECORD BOTH SERIAL NUMBER AND DATE OF PURCHASE AND KEEP IN A SAFE PLACE FOR FUTURE REFERENCE.

SPECIFICATIONS

Voltage	56V 
Clearing Width	21 in (530 mm)
Intake Height	13 in (330 mm)
Throwing Distance	Up to 45 ft (14 m)
Wheel Size	9 in (230 mm)
Ingress Protection Rating	IPX4* (Protection from splashing water)
Recommended Operating Temperature	-4 °F – 50 °F (-20 °C – 10 °C)
Recommended Storage Temperature	-4 °F – 158 °F (-20 °C – 70 °C)
Weight (without battery pack)	66 lbs. (30 kg)

* **NOTE:** IPX4 rating is valid when the battery compartment cover is properly closed.

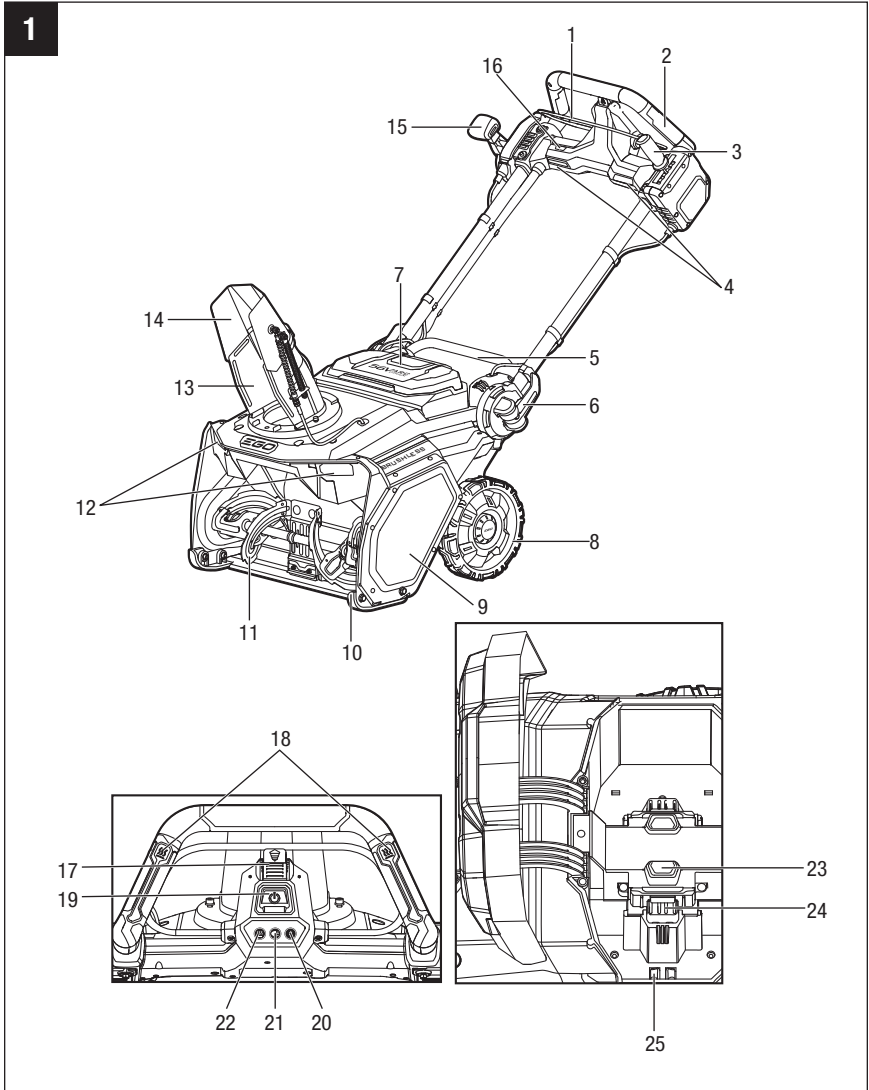
ACCESSORIES

 **WARNING:** Use only accessories listed below. Use of accessories that do not meet the original equipment specifications may lead to improper performance and compromised safety.

PART NAME	MODEL NUMBER
Skid Shoes (pair)	AKS2130D
Scraper Bar	ASS2130
Cover	CB002

DESCRIPTION

KNOW YOUR SNOW BLOWER (Fig. 1)



1	Bail Switch (Switch Lever)	14	Chute Deflector
2	Main Handle	15	Chute-Rotation Handle
3	Chute-Deflector Handle	16	Power Indicator
4	Handle Headlights	17	Auger-Speed Dial
5	Lift Handle	18	Heated Grip
6	Quick-Release Lever (x2)	19	Safety Button
7	Battery Compartment Cover	20	IOT Button
8	Wheel (x2)	21	Headlights Button
9	Drive-Belt Cover	22	Heat On/Off Button
10	Skid Shoe (x2)	23	Battery-Release Button
11	Auger Assembly	24	Electric Contacts
12	Deck Headlights	25	Ejection Mechanism
13	Chute		

⚠ WARNING: The safe use of this product requires an understanding of the information on the product and in this instruction manual, as well as knowledge of the project you are attempting. Before use of this product, familiarize yourself with all operating features and safety rules.

Safety Button (Power Up/Down)

The safety button must be pressed down before the auger motor can be started.

Bail Switch

The bail switch is located on the upper handle of the snow blower. The switch turns the auger motor on and off.

⚠ WARNING: The bail switch and the safety button are safety devices. Never attempt to bypass their operations.

Power Indicator

Indicates the status of the snow blower and battery pack.

Auger-Speed Dial

Adjusts the auger speed which determines the throwing distance.

Chute-Rotation Handle

Rotates the chute so that the user may direct the discharged snow as desired. The handle allows the chute to rotate from 100° left to 100° right.

Chute-Deflector Handle

Adjusts the angle of the chute deflector which determines the height of the discharge stream and, in part, the throwing distance.

Heated Grip

The gripping area could be heated by pressing the heat on/off button, to provide warmth for the operator's hands.

Heat On/Off Button

Turns the handle heating function ON and OFF.

Deck and Handle Headlights

These LED lights provide bright light for increased visibility.

Headlights Button

Turns the deck and handle headlights ON and OFF.

IOT (Internet of Things) Button

Connects the snow blower to the EGO Connect app.

Scraper Bar

Removes the last bit of snow from the surface you are cleaning.

Skid Shoes

Increase the ability to maneuver the snow blower on the snow and adjusts the distance between snow scraper and ground.

Quick-Release Lever

Locks/unlocks the side rails for working or storage positions.



Battery-Release Button

Press to release the battery quickly.

PEAK POWER™

This technology combines the power of up to two EGO 56V ARC Lithium™ batteries for longer run time and efficient power draw.

ASSEMBLY

⚠ WARNING: If any parts are damaged or missing, do not operate this product until the parts are replaced. Use of this product with damaged or missing parts could result in serious personal injury.

⚠ WARNING: Do not attempt to modify this product or create accessories not recommended for use with this product. Any such alteration or modification is misuse and could result in a hazardous condition leading to possible serious personal injury.

⚠ WARNING: To prevent accidental starting that could cause serious personal injury, always remove the battery pack(s) from the tool when assembling parts.

UNPACKING

This product requires assembly.

- Grasp the rear handle and the front part of the product at the same time to carefully lift the product up and out of the carton. Remove any other accessories from the carton. Make sure that all items listed in the "**PACKING LIST**" are included.

⚠ WARNING: Do not use this product if any parts on the "**PACKING LIST**" are already assembled to your product when you unpack it. Parts on this list are not assembled to the product by the manufacturer and require customer installation. Use of a product that may have been improperly assembled could result in serious personal injury.

- Inspect the product carefully to make sure no breakage or damage occurred during shipping.
- Do not discard the packing material until you have carefully inspected and satisfactorily operated the product.
- If any parts are damaged or missing, please return the product to the place of purchase.

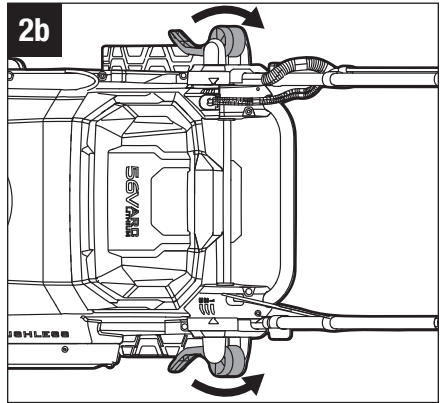
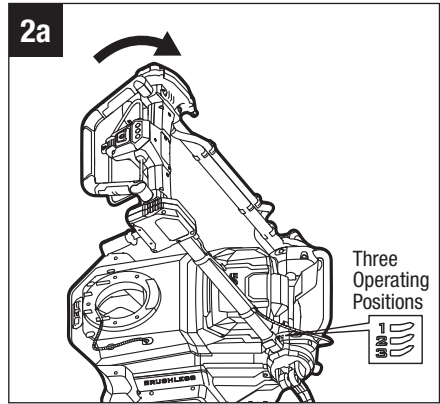
PACKING LIST

PART NAME	QUANTITY
Snow Blower	1
Discharge Chute	1
Operator's Manual	1
5 mm Allen Key	1

UNFOLDING THE SIDE RAILS (Fig. 2)

⚠ WARNING: Do not attempt to start the snow blower when the side rails are folded down.

1. Your snow blower is shipped with the side rails in the folded position.
2. Gently pivot the side rails upwards until they come to your preferred position. The side rails can be set to three different positions. Choose a comfortable operating position according to your height (Fig. 2a).
3. Close the quick-release levers with the side rails in place (Fig. 2b).



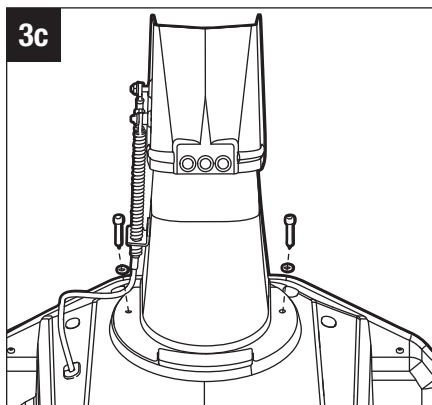
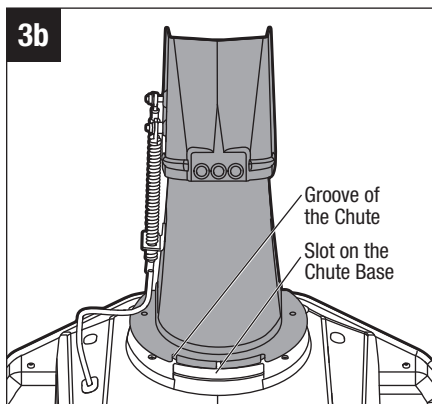
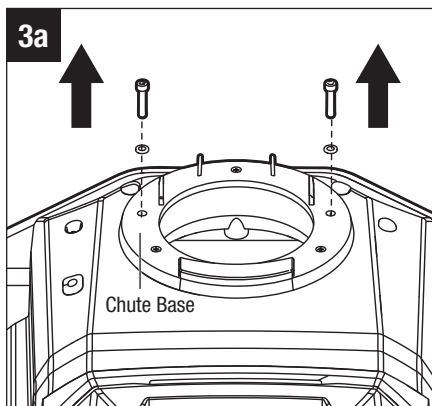
INSTALLING THE CHUTE (Fig. 3)

Required tools (included): 5 mm Allen Key

1. Use the supplied Allen key to loosen and remove the two sets of bolts and washers in the chute base as shown in Fig. 3a.
2. Align the grooves of the chute with the slot on the chute base, and then push the chute in place (Fig. 3b).
3. Use the Allen key to lock the chute in place with the two sets of bolts and washers (Fig. 3c).
4. Using the chute-rotation handle located at the operator's position refer to chapter "ADJUSTING THE CHUTE".

⚠ WARNING: Make sure that the chute rotates properly with discharge opening never crossing operator controls.

⚠ WARNING: Never operate the snow blower without the complete discharge chute in place.



OPERATION

⚠ WARNING: Do not allow familiarity with this product to make you careless. Remember that a careless fraction of a second is sufficient to inflict serious injury.

⚠ WARNING: Always wear eye protection with side shields marked to comply with ANSI Z87.1. Failure to do so could result in objects being thrown into your eyes and other possibly serious injuries.

⚠ WARNING: Do not use any attachments or accessories not recommended by the manufacturer of this product. The use of attachments or accessories not recommended can result in serious personal injury.

APPLICATION

You may use this product for the purposes listed below:

- Removing snow from areas such as driveways and sidewalks.

ATTACHING/DETACHING BATTERY PACK (Fig. 4a)

Charge the battery pack(s) before first use!

NOTE: The snow blower can be powered by one or two battery packs. Using two battery packs gives you a longer run time and efficient power draw managed by PEAK POWER™ technology. For best performance, we recommend use of two 5.0Ah or greater Ah battery packs.

When not in use, 56V battery packs should be stored in an enclosed area where the temperature will not drop below -4 °F (-20 °C). Optimal charging temperature is between 41 °F (5 °C) and 104 °F (40 °C).

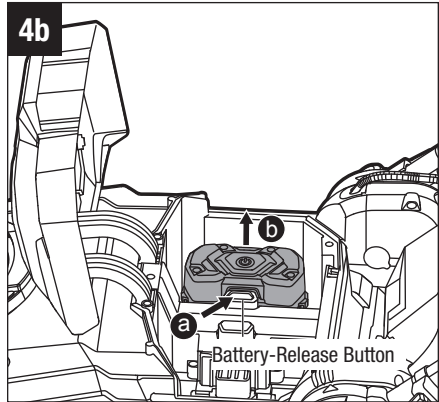
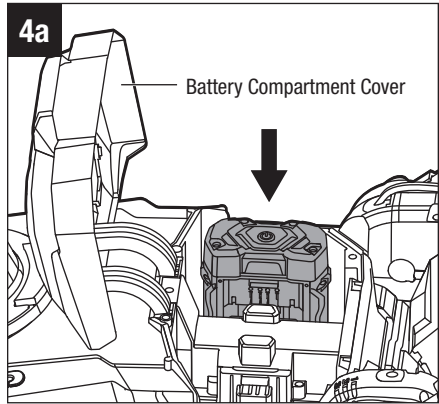
⚠ WARNING: If any parts are broken or missing, do not attempt to attach the battery packs to the snow blower or operate the snow blower until the broken or missing parts are replaced. Failure to do so could result in serious injury.

1. The battery compartment cover is hinged. Raise the cover by lifting the front of the cover.
2. The snow blower features dual battery compartment, which allows the use of two battery packs at the same time.

3. Align the grooves in the battery pack with the raised ribs in one of the battery compartments, and then insert the battery pack into the compartment (Fig. 4a).
4. Push the battery pack until you hear a “click”. The battery-release button will spring up when the battery pack is securely attached.

NOTICE: Make sure that the latch in the battery compartment(s) snaps into place and that the battery pack(s) are secured to the unit before starting operation.

5. Attach the other battery pack into the other battery compartment in the same way.
6. **To detach the battery pack,** depress the battery-release button to release the battery pack, and then lift it out of the compartment (Fig. 4b).
7. Close the battery compartment cover.



STARTING/STOPPING THE SNOW BLOWER

⚠ WARNING: Do not attempt to override the operation of the safety button and bail switch.

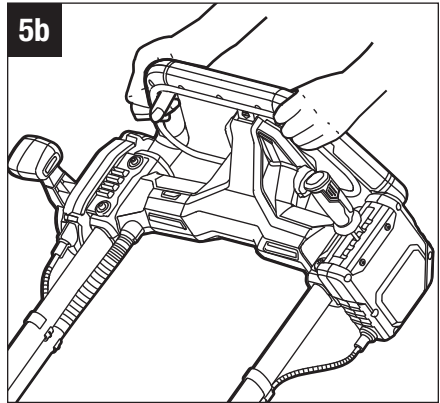
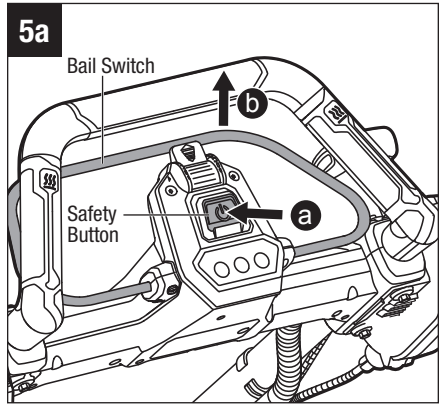
⚠ WARNING: The operation of a snow blower can result in foreign objects being thrown into your or others' eyes, which can damage eyes severely. Always wear safety glasses while operating the snow blower or while performing any adjustments or repairs on the snow blower.

⚠ WARNING: Ensure that other people and pets remain at least 100 ft (30 m) away from the snow blower when it is in use.

⚠ WARNING: The auger will continue to rotate for a few seconds after the snow blower is turned off. Allow the auger to stop rotating before starting it again.

To Start the Snow Blower (Fig. 5)

1. Ensure that the side rails are securely locked in one of the unfolded operating positions.
2. Attach the battery pack(s) to the snow blower and close the battery cover. Refer to chapter "ATTACHING/DETACHING BATTERY PACK".
3. Power the snow blower up by depressing the safety button (Fig. 5a).
4. With the safety button depressed, pull the bail switch upward to meet the main handle (Fig. 5a).
5. Once the auger starts, release the safety button and begin operation (Fig. 5b).



NOTE: The snow blower is started by FIRST depressing the safety button, followed by squeezing the bail switch. The reverse operation will not start the snow blower.

NOTE: The snow blower may not properly start if its battery temperature is -4 °F (-20 °C) or below. If the unit doesn't start, remove the battery from the snow blower and allow it to warm up indoors for 10 minutes or longer. Reinstall the battery and try again.

To Stop the Snow Blower (Fig. 6)

1. Fully release the bail switch.
2. The electric brake of the Automatic Braking Mechanism will stop the auger rotation within 3 seconds of the bail switch release.

VARIABLE AUGER SPEED SYSTEM (Fig. 7)

The speed of the auger determines the throwing distance. The speed of the auger is variable and can be adjusted using the auger-speed dial.

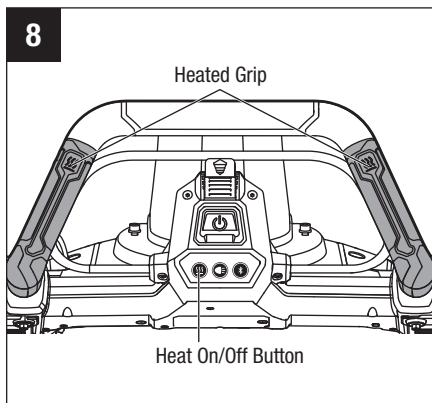
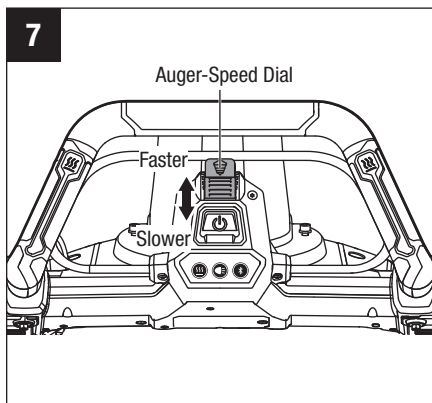
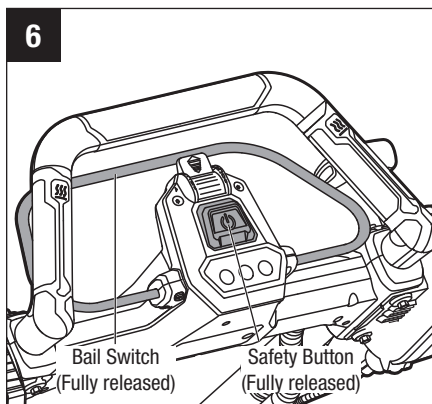
1. **To increase the speed**, move the auger-speed dial forward (away from the user).
2. **To decrease the speed**, move the auger-speed dial backward (towards the user).

HEATED GRIP (Fig. 8)

This snow blower features a heated gripping area to provide warmth for your hands.

⚠ WARNING: Ensure that the rubber coating is intact at the heated gripping areas before turning the grip-heating on. Unprotected skin could suffer burn injury from contact with exposed heating elements.

1. Attach the battery pack.
2. **To turn the grip-heating on**, press the heat on/off button and the button itself will illuminate.



3. **To turn the grip-heating off**, press the heat on/off button again and the button light will turn off.

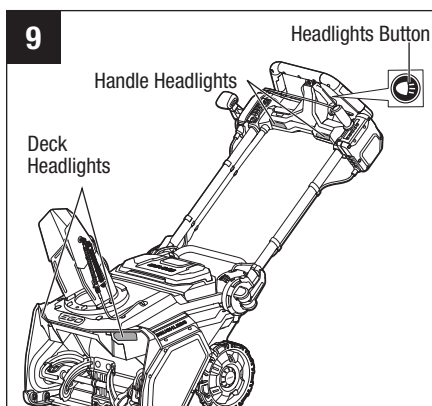
NOTE: When the heating is turned on and the snow blower is used in recommended operating temperature range, the temperature of the heated grip will be maintained between 95 °F (35 °C) and 131 °F (55 °C).

NOTE: The heating will turn off automatically to preserve the battery charge, if the snow blower has been idle for 10 minutes.

DECK AND HANDLE HEADLIGHTS (Fig. 9)

One set of LED headlights is located on the front of the deck and another set on the front of the handle area.

1. Attach the battery pack.
2. When the headlights button is pressed once, both the deck and handle headlights will be turn on.
3. When the headlights button is pressed for the second time, both the deck and handle headlights will flash.
4. When the headlights button is pressed for the third time, both the deck and handle headlights will turn off.



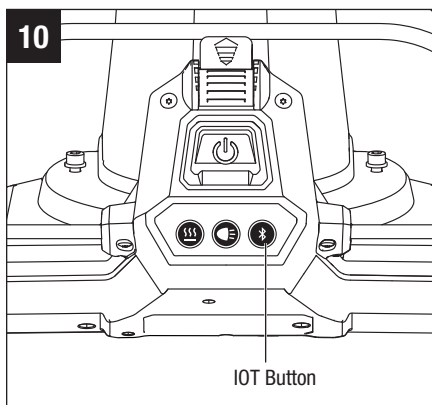
NOTE: There is no button light to indicate whether the LED headlights are turned on or off.

NOTE: All headlights will turn off automatically to preserve the battery charge, if the snow blower has been idle for 5 minutes.

USING EGO CONNECT APP (Fig. 10)

To Install and Set up the App

1. Download the EGO Connect app from App Store for iOS devices such as iPhone or from Google Play for Android devices.
2. Make sure that the Bluetooth is enabled on your mobile device and your mobile device is connected to internet.
3. In the app, press “SIGN IN” if you already have an account or “SIGN UP” and follow the steps to create a new account.
4. Attach the battery pack. Press any one of the safety button, IOT button, heat on/off button or headlights button to power up the snow blower.
5. In the app, tap “Add Tool” and follow the app’s instructions to add your snow blower.
6. Follow the app’s instructions to connect to the snow blower.



NOTE: The IOT button light will be flashing during the pairing and will glow solid when the pairing is successful.

To Update the Firmware

Firmware is an operating system running on your snow blower’s on-board computer. Periodically new versions of firmware become available. It is highly recommended that the latest version is installed on your snow blower to make sure that the snow blower delivers the best performance, energy consumption, and safety.

In the Status screen, if you see a latest version, tap on it to install the latest firmware. The deck and handle headlights will be flashing during update. Follow the app’s instructions to complete the firmware update.

For more information about the app’s functionality and features, please refer to the instructions inside the latest version of the EGO Connect app.

ADJUSTING THE CHUTE (Fig. 11)

The chute can be adjusted to change both the direction and the throwing distance of the discharged snow to assist you in moving snow away from one area and depositing it in another.

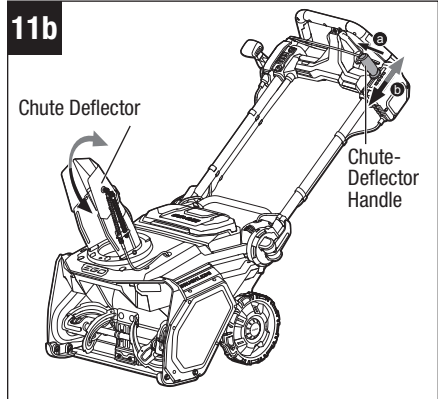
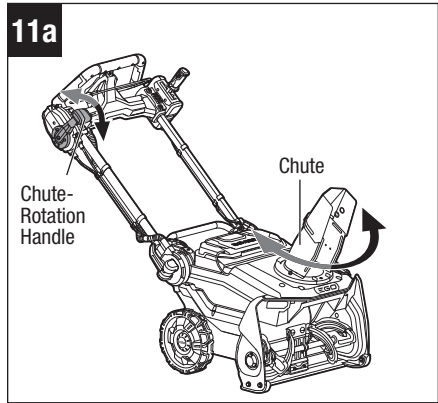
The **direction** of snow discharge can be adjusted up to 100° left and 100° right (Fig. 11a).

1. Push the chute-rotation handle forward to rotate the chute to the left.
2. Pull the chute-rotation handle backward to rotate the chute to the right.

The **throwing distance** of the snow blower is determined in part by moving the chute deflector up or down (Fig. 11b).

1. To increase the distance that the snow is thrown, grasp the chute-deflector handle and move it inwards to disengage it from the detent, then move the handle upward and engage it into the detent when the desired throwing distance is reached.
2. To decrease the distance that the snow is thrown, grasp the chute-deflector handle and move it inwards to disengage it from the detent, then move the handle downward and engage it into the detent when the desired throwing distance is reached.

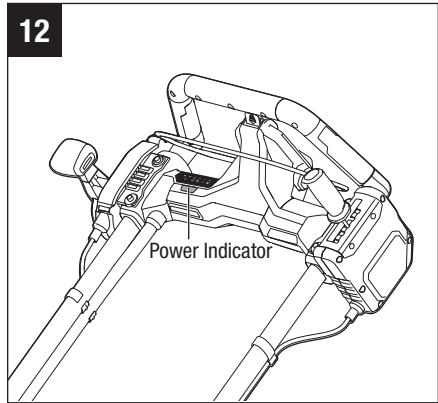
⚠ WARNING: Hold the chute-deflector handle firmly when setting the throwing distance and only release when it is securely engaged in the desired detent. Quickly letting go of the handle may create a pinching or pulling hazard to the operator's hand.



POWER INDICATOR ON THE SNOW BLOWER (Fig. 12)

The snow blower features a power indicator to communicate the charge level of the battery pack(s) and the working status of the snow blower. The power indicator will illuminate only when the snow blower is started.

NOTE: For any faults that could not be solved, contact EGO customer service for repair.



POWER INDICATOR	MEANING	ACTION
Flashing green	Safety button is depressed and the snow blower is powered up and ready to work. Each inserted battery pack has at least 15% of its charge.	Normal operation. No action is necessary.
Shinning green	Snow blower is working properly and each battery has at least 15% of its charge.	Normal operation. No action is necessary.
Flashing red	The battery pack is nearly depleted.	Stop the snow blower and charge the battery pack(s).
Shining orange	The snow blower is overheated.	Stop the snow blower and wait for some time to cool the machine.
Flashing orange	The snow blower is overloaded.	Remove the battery pack(s). Check and clear any snow that has collected beneath or is lodged in the auger. Slow down your pace or decrease the snow clearing cut width when working.
Flashing red and green alternately	Communication fault	Contact EGO customer service for repair.
No indication	If the LED indicator on one or both battery packs flashes orange or shines red, the battery pack(s) is overheated.	Stop the snow blower and allow the battery pack to cool down.
	Other faults: switch, light, etc.	Contact EGO customer service for repair.

SNOW BLOWER OVERLOAD PROTECTION

To prevent overload conditions, do not try to remove too much snow at one time. Slow down your pace or decrease the width of the snow-clearing swath.

Your snow blower has built-in overload-sensing elements. When the auger motor is overloaded, the auger motor will decrease the auger rotation speed automatically and you will hear the volume (noise) of the motor decrease. In case of the overload, slow down your pace or narrow the clearing width, after which the auger motor speed will resume its normal setting automatically. If this remedy does not solve the overload situation, the sensor will shut off the motor automatically and the power indicator will flash orange. Remove the battery pack(s) from the snow blower. Check to see if there is snow or ice stuck in the auger and deck and use a clean-out tool to clear them out as necessary. Reinstall the battery pack(s) and restart the snow blower.

CLEARING A CLOGGED CHUTE

⚠ WARNING: Hands coming in contact with the rotating auger inside the chute is the most common cause of injury associated with snow blowers. Never use your hand to clean out the chute.

⚠ WARNING: Never reach into the discharge chute or place any body part in front of the snow blower when the unit is operating or when the battery pack(s) are installed. Always ensure all moving parts have stopped and the battery pack(s) have been removed before clearing any obstructions. Failure to follow these instructions can result in serious personal injury.

To clear the chute:

1. Shut the auger motor off!
2. Remove the battery pack(s) from the snow blower.
3. Wait 10 seconds to be sure the auger has stopped rotating.
4. Always use a clean-out tool, such as a wooden rod or other clearing tools that are commercially available; **DO NOT USE YOUR HAND.**

BATTERY HIGH-TEMPERATURE PROTECTION

If the battery temperature exceeds 158 °F (70 °C) during operation, the temperature-protection circuit will immediately shut off the snow blower to protect the battery packs from overheating damage. The power indicator on the snow blower will be off and the LED indicator on the battery pack will flash orange or shine red.

NOTE: The LED indicator on following battery packs will flash orange lights when overheated: BA1400, BA1400-FC, BA2800, BA2800-FC, BA4200, and BA4200-FC; the LEDs on following battery packs will shine red lights when overheated: BA1400T, BA1400T-FC, BA2242T, BA2242T-FC, BA2800T, BA2800T-FC, BA3360T, BA3360T-FC, BA4200T, BA4200T-FC, BA4480T, BA4480T-FC, BA5600T, BA5600T-FC, BA6720T, and BA6720T-FC.

Release the bail switch and wait until the overheated battery pack(s) cool down and the light on the battery LED indicator turns green, then restart the snow blower.

To prevent shut off due to battery high-temperature protection, don't try to use a single battery to power the snow blower when the depth of the accumulated snow exceeds 3 inches (76 mm) or when the snow is very wet or icy. We recommend the use of two batteries working simultaneously. This is helpful in attaining the peak power of the snow blower.

After high-temperature protection has occurred, slow down your pace and narrow the width of the clearing swath to reduce the load on the battery.

OPERATING TIPS

⚠ DANGER: Never use a snow blower on frozen lakes, rivers, or similar surfaces. Death or serious injury could occur if the ice breaks.

⚠ DANGER: Never use the snow blower on a rooftop or other unstable surface, which can result in death or serious personal injury.

⚠ DANGER: Do not wear loose clothing, scarves, or jewelry. They can be caught in moving parts and cause death or serious personal injury.

⚠ WARNING: Do not use snow blower on ice, which can cause the operator to slip and fall, resulting in possibly serious personal injury.

⚠ WARNING: Keep all snow discharge pointed away from all electrical devices to reduce the risk of electrocution or electric shock.

⚠ WARNING: Never point the snow blower or discharge chute in the direction of people or pets. Thrown snow or other objects can cause serious personal injuries.

⚠ WARNING: Make sure that the area to be cleared is free of stones, sticks, wires, gravel, and other objects that could be accidentally thrown by the snow blower in any direction and cause serious personal injury to the operator and others.

- If the unit comes in contact with any type of obstruction or debris during use, stop the snow blower, remove the battery pack(s), remove the obstruction, and inspect the unit carefully for damage before proceeding.

⚠ WARNING: Never reach into the discharge chute or place any body part in front of the snow blower when the unit is operating or when the battery pack(s) are installed. Always ensure all moving parts have stopped and the battery pack(s) have been removed before clearing any obstructions. Failure to follow these instructions can result in serious personal injury.

- Take notice of the direction of the wind before beginning. When possible, discharge snow in the same direction as the wind to prevent snow from being thrown back into your face.
- Some parts of the snow blower can freeze under extreme weather conditions. Do not attempt to operate the unit with frozen parts.
- When finished, allow the auger motor to run for an additional few minutes to prevent moving parts from freezing, then turn the chute rotation handle back and forth several times to free it from any ice buildup. Make sure to clean off any snow and ice from the base of the chute.
- In snowy and cold conditions, some controls and moving parts may freeze. Do not use excessive force when trying to operate frozen controls. If you have difficulty operating any control or part, start the snow blower as instructed in section **"STARTING/STOPPING THE SNOW BLOWER"** and let it run for a few minutes.

MAINTENANCE

⚠ WARNING: To avoid serious personal injury, always remove the battery pack(s) from the product when cleaning or performing any maintenance.

⚠ WARNING: When servicing, use only identical replacement parts. Use of any parts may create a hazard or cause product damage. To ensure safety and reliability, all repairs should be performed by a qualified service technician.

NOTICE: Periodically inspect the entire product for damaged, missing, or loose parts such as screws, nuts, bolts, caps, etc. Tighten securely all fasteners and caps and do not operate this product until all missing or damaged parts are replaced.

GENERAL MAINTENANCE

Avoid using solvents when cleaning plastic parts. Most plastics are susceptible to damage from various types of commercial solvents and may be damaged by their use. Use clean cloth to remove dirt, dust, oil, grease, etc.

⚠ WARNING: Do not at any time let brake fluids, gasoline, petroleum-based products, penetrating oils, etc., come in contact with plastic parts. Chemicals can damage, weaken or destroy plastic which may result in serious personal injury.

LUBRICATING THE MACHINE

All of the bearings in this product are lubricated with an amount of high-grade lubricant sufficient for the life of the unit under normal operating conditions. Therefore, no further bearing lubrication is required.

REPLACING AND ADJUSTING THE SKID SHOES (Fig. 13)

When encountering uneven or gravel surfaces, the height of the skid shoes need to be adjusted to increase the ability of the snow blower to maneuver on the snow.

When the skid shoes are broken or the maximum height adjustment does not meet requirement, replace the skid shoes.

Required tool (not included):

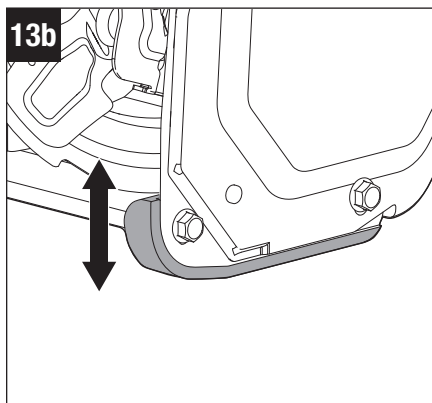
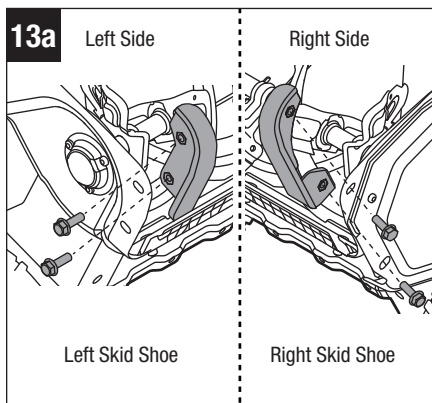
- one 13 mm socket wrench or adjustable wrench

To replace the skid shoes (Fig. 13a)

1. Remove the battery pack(s).
2. Loosen and remove the four bolts on both sides of the deck.
3. Install the new left skid shoe on the left side of the deck, and the right skid shoe on the right side of the deck.
4. Reassemble the bolts and securely tighten them.

To adjust the height of skid shoes (Fig. 13b)

The height of each skid shoe can be adjusted without removing the bolts. Just loosen the bolts, adjust the skid-shoe position, and then retighten the bolts.

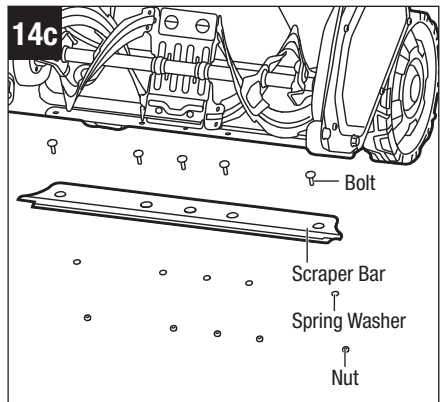
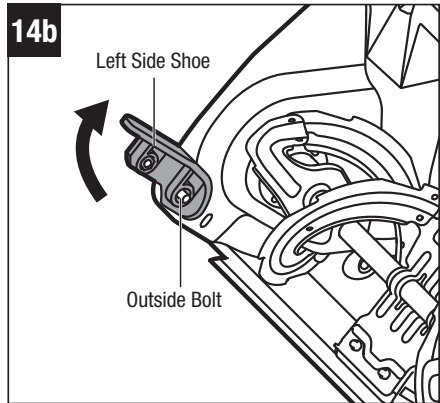
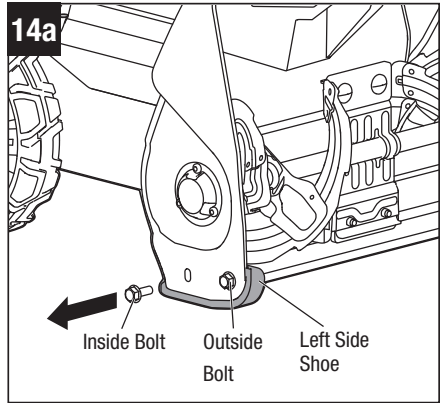


REPLACING THE SCRAPER BAR (Fig. 14)

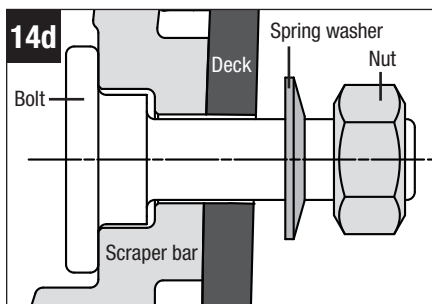
Required tools (not included):

- one 8 mm socket wrench or adjustable wrench
- one 13 mm socket wrench or adjustable wrench

1. Remove the battery pack(s).
2. Lay the snow blower on its side or any other convenient position for scraper bar service.
3. To reduce the risk of injury, wear gloves. Using the 13 mm wrench, remove the inside bolt of the left skid shoe, and just loosen the outside bolt of the left skid shoe (Fig. 14a & 14b).
4. Using 8 mm wrench, loosen and remove the five nuts, washers on the bottom of the deck, as well as the five bolts inside. Remove the worn scraper bar away from the deck (Fig. 14c).
5. Attach the new scraper bar to the snow blower with the shiny surface facing the inside of the deck. Align the mounting holes in the scraper bar with the holes in the steel deck. Insert the five bolts into the mounting holes from the inside, shiny surface of the scraper bar.



6. Reassemble the spring washers and nuts on the bolts (from the outside of the deck) and securely fasten the scraper bar to the deck using the 8 mm wrench (Fig. 14d).
7. Reassemble the inside bolt of the left skid shoe. Securely tighten both inside and outside bolts using the 13 mm wrench.



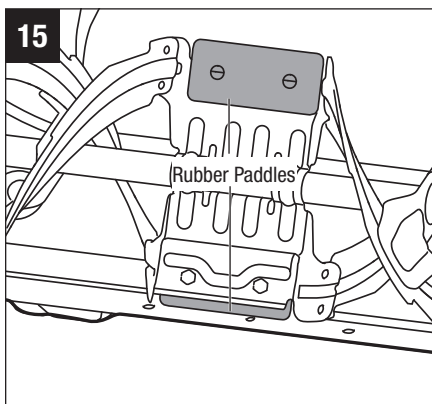
REPLACING THE RUBBER PADDLE (Fig. 15)

If the rubber paddles become worn, excessively cracked, frayed, or otherwise damaged, replace them.

Required tools (not included):

- Flat head screwdriver
- 10 mm socket wrench or adjustable wrench

1. Remove the battery pack(s).
2. Wear gloves. Manually rotate the steel auger to the appropriate position for easy rubber paddle access.
3. Use the 10mm wrench and screwdriver to remove two sets of securing bolts and nuts for each rubber paddle. Then take off the rubber paddles.
4. Replace them with the new rubber paddles, and securely tighten them.



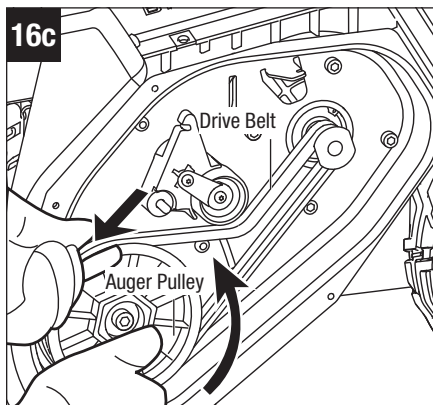
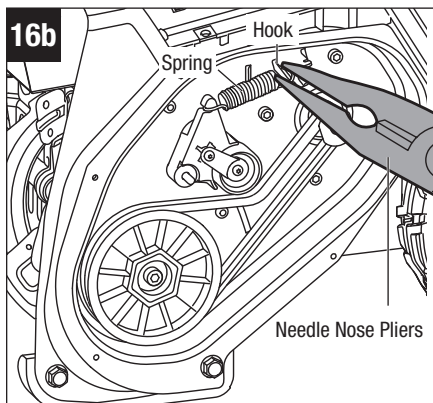
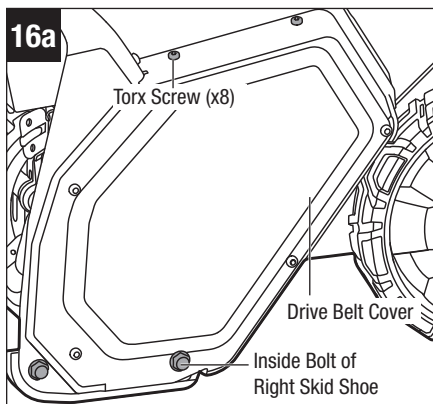
REPLACING THE DRIVE BELT (Fig. 16)

If the drive belt becomes worn, oil-soaked, excessively cracked, frayed, or otherwise damaged, replace the belt.

Required tools (not included):

- one 13 mm socket wrench or adjustable wrench
- T20 Torx screwdriver
- Needle Nose Pliers

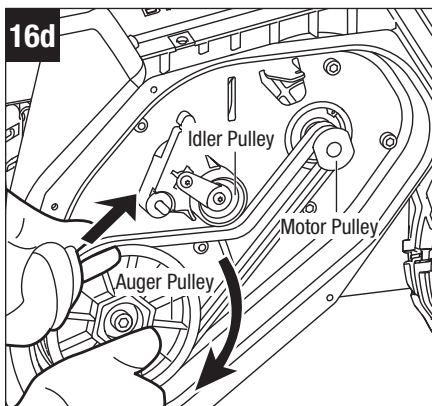
1. Remove the battery pack(s).
2. Use the torx screwdriver to loosen and remove the 8 Torx screws and the 13 mm wrench to remove the inside bolt of the right skid shoe. Then remove the drive belt cover (Fig. 16a).
3. Use needle nose pliers to remove the spring from the hook to release the belt tension (Fig. 16b).
4. Remove the drive belt by slowly turning the auger pulley counterclockwise while pulling the belt outwards (Fig. 16c).



5. Install the new drive belt by rotating it onto the pulleys (Fig. 16d).

Tips: Rotate the new drive belt first around the motor pulley, then the idler pulley, and finally, around the auger pulley. Slowly turn the auger pulley clockwise to drive the belt inwards.

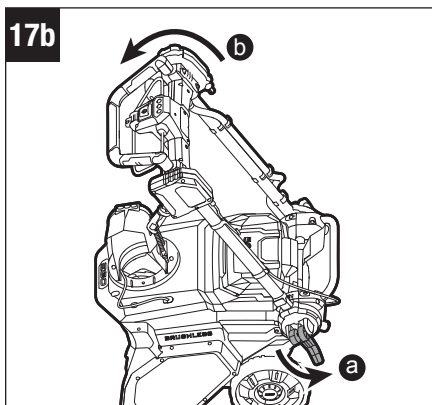
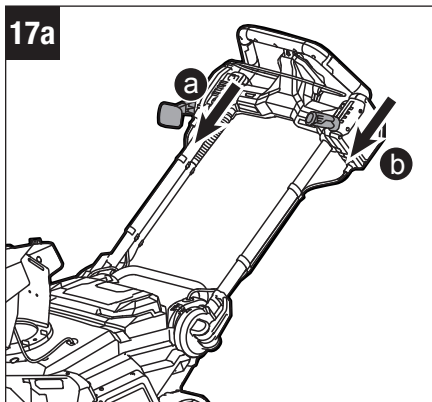
6. Use needle nose pliers to install the spring onto the hook to tension the drive belt.
7. Reinstall the drive belt cover and secure it with the 8 Torx screws and the inside bolt of the right skid shoe.



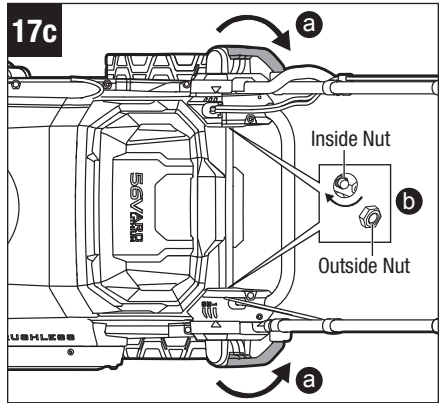
FOLDING THE SIDE RAILS (Fig. 17)

1. Remove the battery pack(s)
2. Push the chute-rotation handle all the way forward so that the chute is facing left, and move the chute-deflector handle downward all the way to the lowest detent (Fig. 17a). This will ensure causing no interference when folding.
3. Open the quick-release levers on both sides to fold the side rails on the storage position (Fig. 17b).

NOTICE: When the side rails in one of the unfolded operating positions could not be fully secured by the quick-release levers, the nuts of the quick-release levers may be loose. Follow below steps to tighten the nuts:

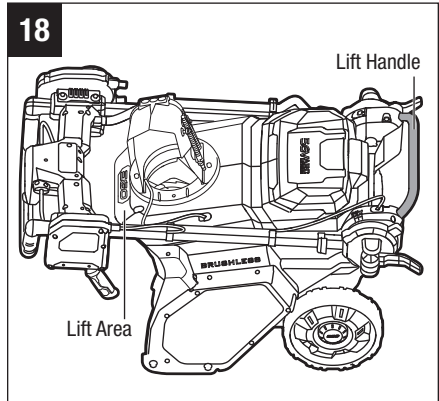


1. Unfold the side rails at one of three operating positions for your convenience.
2. Close the quick-release levers on both sides.
3. Remove the outside nuts, and tighten the inside nuts of the quick-release levers on both sides using a 13 mm socket wrench (not included) as shown in Fig. 17c.



LIFTING AND CARRYING THE SNOW BLOWER (Fig. 18)

1. Remove the battery pack(s)
2. Fold the side rails to the storage position as described in the previous chapter.
3. Lift and carry the unit by grabbing the lift handle with one hand and the left area, on top of the snow intake (right below the EGO logo), with the other hand.



⚠ WARNING: Snow blower is heavy! Lift with your legs – not with your back.

STORING THE SNOW BLOWER

⚠ CAUTION: Ensure that all melted snow that may drip from the snow blower is properly wiped up to prevent a slip and fall hazard.

Remove the battery pack(s) and store in a secure location out of the reach of children.

NOTE: When not in use, a 56V battery should be stored in an enclosed area where the temperature will not drop below -4 °F (-20 °C). Optimal charging temperatures are 41 °F – 104 °F (5 °C – 40 °C).

Before storage, wipe any moisture, dirt, or debris from and around the battery compartment.

- Wipe the snow blower with a clean dry cloth.
- Check all nuts, bolts, knobs, screws, etc. for tightness.
- Inspect moving parts for damage, breakage, and wear. Have any damaged or missing parts repaired or replaced.
- Fold the side rails to the storage position.
- Store the snow blower in a clean, dry, enclosed place out of the reach of children.
- Do not store near corrosive materials such as fertilizer or rock salt.

TROUBLESHOOTING

⚠ WARNING: Always remove the battery pack(s) when servicing or transporting the snow blower. Always protect your hands by wearing gloves when performing any maintenance on the snow blower.

PROBLEM	CAUSE	SOLUTION
Snow blower fails to start.	<ul style="list-style-type: none"> ■ Battery pack(s) charge is low. ■ The steel auger is frozen by snow or ice. ■ The battery pack is overheated. The LED indicator on the battery pack(s) flashes orange or shines red (see the section “BATTERY HIGH-TEMPERATURE PROTECTION” in this manual). ■ Incorrect steps to power up the snow blower. ■ Unidentified fault 	<ul style="list-style-type: none"> ■ Charge the battery pack(s). ■ Remove the battery pack(s) first, then use a clean-out tool to clear the snow or ice that obstruct the auger. Reinstall the battery packs and restart the snow blower. ■ Warm the snow blower at room temperature for approx. 20min, then restart the snow blower. ■ Remove the overheated battery pack(s) from the snow blower and wait until the battery pack(s) cools down to approximately 152 °F (67 °C). Reinstall the battery pack(s) and restart the snow blower. ■ (1) Press the safety button until the power indicator flashes green. (2) With the button depressed, pull the bail switch upward to meet the main handle. ■ Contact EGO customer service for repair.

PROBLEM	CAUSE	SOLUTION
Side rails don't stay in position.	<ul style="list-style-type: none">■ Quick-release levers are not secured.■ The nuts of the quick-release levers are loose.	<ul style="list-style-type: none">■ Make sure that quick-release levers are fully closed.■ Check and make sure the nuts of the quick-release levers are tightened.
The motor is on, but the auger does not turn.	<ul style="list-style-type: none">■ The drive belt is worn or broken.	<ul style="list-style-type: none">■ Replace the drive belt following the section "REPLACING THE DRIVE BELT" in this manual.
After passing, the snow blower leaves a layer of snow on the ground.	<ul style="list-style-type: none">■ The scraper bar is worn.	<ul style="list-style-type: none">■ Replace the scraper bar following the section "REPLACING THE SCRAPER BAR" in this manual.
The snow blower throws less snow.	<ul style="list-style-type: none">■ The rubber paddles are worn.■ Auger speed may be too low.	<ul style="list-style-type: none">■ Replace the rubber paddles following the section "TO REPLACE THE RUBBER PADDLES" in this manual.■ Increase the auger speed.
The grip area fails to be heated.	<ul style="list-style-type: none">■ The heating function will turn off automatically when the snow blower is inactive for 10 minutes.	<ul style="list-style-type: none">■ Press the grip-heating switch to restart the heating.



EGO LIMITED WARRANTY

WARRANTY POLICY TERMS AND DURATION

Chervon North America, Inc. (“Chervon North America”) provides the following Limited Warranty for EGO products to the original purchaser of EGO products.

The detailed warranty period for each EGO product can be found online at <http://egopowerplus.com/warranty-policy>.

Please contact EGO Customer Service Toll-Free at 1-855-EGO-5656 any time you have questions or warranty claims or would like a hard copy of the warranty.

LIMITED SERVICE WARRANTY

EGO products are warranted against defects in material or workmanship from the date of original retail purchase for the applicable warranty period. For any properly and timely submitted warranty claim, if Chervon North America determines a product to be defective during the warranty period, the product will receive free repair or replacement as determined by Chervon North America.

HOW TO OBTAIN SERVICE

For warranty service, within the applicable warranty period, please contact EGO customer service toll-free at **1-855-EGO-5656**. When requesting warranty service, you must present the original dated sales receipt. An authorized service center will be selected to evaluate and repair the product if defective according to the stated warranty terms. When bringing your product to the authorized service center, there may be a small deposit that will be required when dropping off your tool. This deposit is refundable when the repair service is deemed to be covered under warranty. The purchaser is responsible for transportation of any outdoor power equipment or attachments at their expense.



ADDITIONAL LIMITATIONS & EXCLUSIONS

This limited warranty applies only to the original purchaser from an authorized EGO retailer and is not transferable. EGO products shall not be considered defective, and this warranty will not apply, where the claimed defect is attributable to any cause other than the above-defined defects. This warranty shall be void if the product has been used for rental purposes. This warranty shall not apply to damage caused by accident, abuse, misuse, alteration, modification, unauthorized repair, liquid contact, fire, earthquake or other external cause; operating the product outside EGO's instructions, specifications or guidelines; or failure to properly service or maintain the product. This warranty also does not apply to cosmetic damage, including but not limited to scratches or dents; defects caused by normal wear and tear or otherwise due to the normal aging of the product.

THIS EXPRESS WARRANTY IS GIVEN IN LIEU OF ALL OTHER WARRANTIES, EXPRESS OR IMPLIED, INCLUDING, BUT NOT LIMITED TO, ANY WARRANTIES OF MERCHANTABILITY OR FITNESS FOR PARTICULAR PURPOSE OR USE, WHICH ARE DISCLAIMED. Any implied warranties, including warranties of merchantability or fitness for a particular purpose, that cannot be disclaimed under state law are limited to the applicable warranty period defined at the beginning of this article. The sole and exclusive remedy in connection with the purchase, installation, use, and/or performance of the EGO products is repair or replacement of the product as determined by Chervon North America. Chervon North America's maximum liability shall not in any case exceed the purchase price paid for the product. CHERVON NORTH AMERICA SHALL NOT BE LIABLE TO THE USER OR TO ANYONE ELSE FOR CONSEQUENTIAL, INCIDENTAL, SPECIAL, EXEMPLARY, INDIRECT, OR PUNITIVE DAMAGES ARISING FROM USE OF THE PRODUCTS, INCLUDING BUT NOT LIMITED TO PERSONAL INJURY, DEATH, PROPERTY DAMAGE, LOST PROFITS, OR OTHER ECONOMIC INJURY. This warranty gives you specific legal rights, and you may also have other rights which vary from state to state. Some states do not allow limitations on how long an implied warranty lasts, the exclusion or limitation of incidental or consequential damages, or the limitations on time to bring certain actions, so such limitations contained herein do not apply to individual consumers in those states.

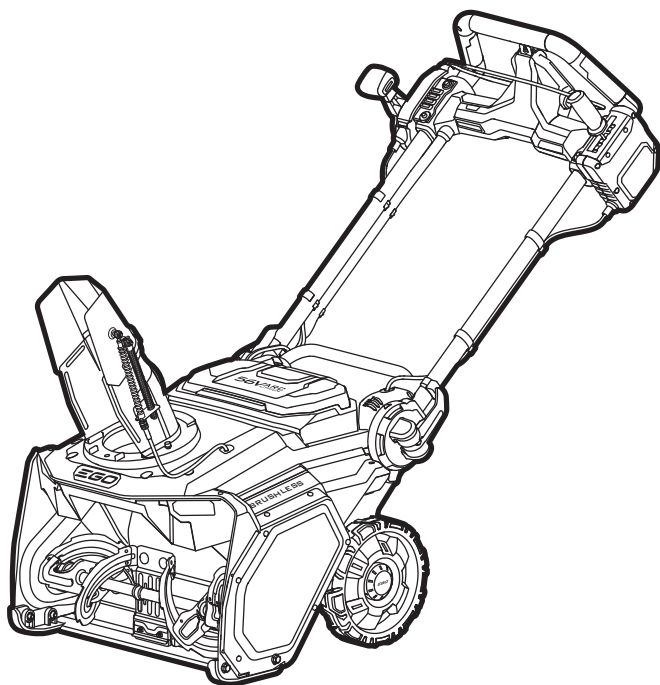
This warranty is subject to and shall be interpreted according to Michigan law without regard to principles of conflicts of laws. No legal action shall be brought against Chervon North America unless filed within one (1) year after the basis for such legal action becomes known, or with the exercise of reasonable diligence should have become known. Any action not timely filed shall be deemed waived.

For customer service contact us toll-free at: **1-855-EGO-5656** or **EGOPOWERPLUS.COM**.

EGO Customer Service
769 Seward Ave. NW, Suite 102
Grand Rapids, Michigan 49504.

EGO™

POWER⁺ SNOW BLOWER™



GUIDE D'UTILISATION

SOUFFLEUSE À NEIGE SANS FIL À PILE AU LITHIUM-ION DE 56 VOLTS

NUMÉRO DE MODÈLE SNT2130/SNT2130-FC

⚠ AVERTISSEMENT : Afin de réduire les risques de blessure, l'utilisateur doit lire et comprendre le guide d'utilisation avant d'utiliser ce produit. Conservez le présent guide afin de pouvoir le consulter ultérieurement.

LISEZ TOUTES LES INSTRUCTIONS!



LISEZ LE MODE D'EMPLOI ET
ASSUREZ-VOUS QUE VOUS LE COMPRENEZ

TABLE DES MATIÈRES

Symboles de sécurité	47-48
Consignes de sécurité	49-50
Pratiques d'utilisation sécuritaires de la souffleuse à neige poussée	50-56
Introduction	57
Caractéristiques techniques	58
Accessoires	58
Description	59-62
Assemblage	63-66
Fonctionnement	67-80
Entretien	81-89
Dépannage	90-92
Garantie limitée D'EGO	93-95

SYMBOLES DE SÉCURITÉ

L'objectif des symboles de sécurité est d'attirer votre attention sur les dangers potentiels. Vous devez examiner attentivement et bien comprendre les symboles de sécurité et les explications qui les accompagnent. Les symboles d'avertissement en tant que tels n'éliminent pas le danger. Les consignes et les avertissements qui y sont associés ne remplacent en aucun cas les mesures préventives adéquates.

⚠ AVERTISSEMENT: Assurez-vous de lire et de comprendre toutes les consignes de sécurité présentées dans le présent mode d'emploi, notamment toutes les consignes de sécurité indiquées par « **DANGER** », « **AVERTISSEMENT** » et « **MISE EN GARDE** ». Le non-respect des consignes de sécurité ci-dessous peut occasionner une décharge électrique, un incendie ou des blessures graves.

Les définitions ci-dessous décrivent le niveau de gravité pour chaque terme signalant un danger. Veuillez lire le mode d'emploi et regarder la signification de ces symboles	
	C'est le symbole d'alerte relatif à la sécurité. Il est utilisé pour vous avertir de l'existence possible d'un danger de lésion corporelle. Obéissez à tous les messages relatifs à la sécurité qui suivent ce symbole pour éviter tout risque de blessure ou même de mort.
⚠ DANGER	DANGER indique une situation dangereuse qui, si elle n'est pas évitée, causera la mort d'une personne ou une blessure grave.
⚠ AVERTISSEMENT	AVERTISSEMENT indique une situation dangereuse qui, si elle n'est pas évitée, pourrait causer la mort d'une personne ou une blessure grave.
⚠ MISE EN GARDE	MISE EN GARDE, conjointement avec le symbole d'alerte en liaison avec la sécurité, indique une situation dangereuse qui, si elle n'est pas évitée, causera une blessure légère ou modérée.

MESSAGES D'INFORMATION ET DE PRÉVENTION DES DOMMAGES


Ils informent l'utilisateur d'informations et/ou d'instructions importantes qui pourraient entraîner des dommages matériels ou aux équipements s'ils ne sont pas suivis. Chaque message est précédé par le terme « AVIS », comme dans l'exemple ci-dessous :

AVIS : Un dommage matériel et/ou aux équipements peut survenir si ces instructions ne sont pas suivies.

SYMBOLES

Vous trouverez ci-dessous les symboles de sécurité qui peuvent être présents sur le produit, accompagnés de leur description. Vous devez lire, comprendre et suivre toutes les instructions présentes sur la machine avant de commencer à l'assembler ou à l'utiliser.

	Alerte de sécurité	Indique un risque de blessures.
	Lisez le mode d'emploi, et assurez-vous que vous le comprenez.	Afin de réduire les risques de blessure, l'utilisateur doit lire et comprendre le guide d'utilisation avant d'utiliser ce produit.
	DANGER — Gardez vos mains éloignées de la turbine	N'utilisez pas vos mains pour désobstruer la goulotte.
	Gardez vos pieds à distance de la turbine	Gardez les pieds éloignés de la turbine rotative.
	DANGER — Gardez vos mains et vos pieds éloignés	Pour réduire le risque de blessure, gardez les mains et les pieds éloignés des pièces en rotation. N'utilisez cet équipement que si la goulotte de vidage est bien à sa place.
	Risque d'ingestion	Ce produit contient une pile bouton ou une pile en forme de pièce de monnaie.
	Symboles de recyclage	Le produit fonctionne à l'aide de piles au lithium-ion (Li-ion). La législation locale, provinciale ou fédérale peut interdire la mise au rebut des piles dans les ordures ménagères. Consultez l'organisme local de gestion des déchets au sujet.
IP...	Indice de protection pour la pénétration	Classifie le degré de protection fourni par une enceinte pour le matériel électrique.

V	Volt	Tension
	Courant continu	Type ou caractéristique du courant
mm	Millimètre	Longueur ou taille
in.	Pouce	Longueur ou taille
m	Compteur	Longueur ou taille
ft	pi	Longueur ou taille
kg	Kilogramme	Poids
lbs	Livres	Poids
°F	Degrés Fahrenheit	Température
°C	Degrés Celsius	Température

⚠ AVERTISSEMENT : Pour des raisons de sécurité et de fiabilité, toutes les réparations doivent être effectuées par un technicien/réparateur compétent.

PRATIQUES D'UTILISATION SÉCURITAIRES DE LA SOUFFLEUSE À NEIGE POUSSÉE

⚠ DANGER : Cette souffleuse à neige peut amputer une personne des bras et des pieds, et projeter des objets. Le non-respect des consignes de sécurité suivantes peut entraîner des blessures graves.

LISEZ TOUTES LES INSTRUCTIONS

⚠ AVERTISSEMENT : Lorsque vous utilisez des équipements de jardinage électriques, il faut toujours suivre des précautions de sécurité de base afin de réduire les risques d'incendies, de chocs électriques ou de blessures, notamment :

POUR TOUTES LES SOUFFLEUSES À NEIGE

- N'utilisez pas la souffleuse sur une surface avec des graviers sauf si elle est ajustée pour une telle surface conformément au guide d'utilisation.
- Maintenez les enfants à l'écart – tous les visiteurs doivent se tenir à une distance sécuritaire de la zone de travail.

- Portez une tenue adéquate – Ne portez pas de vêtements amples ou de bijoux risquant d’être accrochés par la souffleuse. Ils pourraient se coincer dans les pièces mobiles de la souffleuse.
- Portez des bottes en caoutchouc lorsque vous utilisez la souffleuse.
- L’utilisation de la souffleuse à neige dans la position de contrôle manuel est dangereuse, sauf si les instructions spéciales applicables à une telle utilisation qui figurent dans le mode d’emploi sont respectées.
- Gardez vos mains éloignées des pièces mobiles.
- Assurez-vous que les protecteurs sont bien en place et en bon état de fonctionnement.
- Ne forcez pas la souffleuse à neige – elle fonctionnera mieux et sera plus sécuritaire au régime de fonctionnement pour lequel elle a été conçue.
- Ne vous penchez pas excessivement vers l’avant – gardez une posture sécuritaire et un bon équilibre en tout temps.
- Si la souffleuse à neige frappe un objet étranger, procédez de la manière suivante :
 - 1) Arrêtez la souffleuse à neige. Relâchez l’interrupteur.
 - 2) Retirez le(s) bloc(s)-piles.
 - 3) Inspectez la souffleuse pour vous assurer qu’elle n’est pas endommagée.
 - 4) Réparez tout dommage avant de remettre la souffleuse en marche et de l’utiliser à nouveau.
- Rangez la souffleuse à neige à l’intérieur. Lorsqu’elle n’est pas utilisée, la souffleuse à neige doit être rangée à l’intérieur, dans un endroit sec et fermé à clé – hors de la portée des enfants.
- Entretenez soigneusement votre souffleuse à neige – suivez toutes les instructions relatives à la lubrification et au remplacement des accessoires.

FORMATION

- Vous devez lire, comprendre et suivre toutes les instructions indiquées sur la machine et dans le(s) mode(s) d’emploi avant de vous servir de la souffleuse. Familiarisez-vous avec les commandes et apprenez à utiliser la souffleuse de façon appropriée. Sachez comment arrêter la souffleuse et désengager rapidement les commandes.
- Ne laissez jamais des enfants utiliser la souffleuse. Ne laissez jamais des adultes utiliser la souffleuse sans leur avoir fourni au préalable les instructions appropriées.

- Assurez-vous de garder toutes les personnes, et en particulier les petits enfants, à l'extérieur de la zone d'utilisation.
- Faites preuve de prudence pour ne pas risquer de glisser ou de tomber, surtout lorsque vous utilisez la souffleuse à neige à reculons.

PRÉPARATION

- Inspectez soigneusement la zone dans laquelle la souffleuse doit être utilisée, et retirez tous les paillassons, traîneaux, planches, fils et autres objets étrangers.
- N'utilisez pas la souffleuse à neige sans porter des vêtements d'hiver adéquats. Évitez de porter des vêtements amples qui sont susceptibles de s'accrocher dans les pièces mobiles. Portez des chaussures qui vous permettront de mieux marcher sur les surfaces glissantes.
- Ne tentez jamais de faire des ajustements pendant que le moteur tourne (sauf si le fabricant le recommande explicitement).
- Portez toujours des lunettes de sécurité ou des protections oculaires pendant l'utilisation de la machine ou lors d'un réglage ou d'une réparation afin de protéger vos yeux des corps étrangers qui peuvent être projetés par la souffleuse à neige.

FONCTIONNEMENT

- Empêchez une mise en marche accidentelle. Assurez-vous que l'interrupteur est dans la position d'arrêt avant de le connecter au bloc-piles, ou de soulever ou de transporter la souffleuse à neige. Le fait de transporter la souffleuse à neige avec le doigt sur l'interrupteur ou de mettre sous tension une souffleuse à neige dont l'interrupteur est en position de marche invite les accidents.
- Ne mettez pas les mains ou les pieds à proximité de pièces en rotation ou sous des pièces en rotation. Veillez à ce que personne ne se trouve jamais en face des orifices de décharge.
- Faites preuve d'une extrême prudence lors de cet équipement, en particulier lors de la traversée d'une allée, d'un trottoir ou d'une route en gravier. Restez vigilant(e) en raison de dangers cachés et/ou de risques en rapport avec la circulation.
- Après avoir heurté un corps étranger, arrêtez le moteur, retirez le(s) bloc(s)-piles, inspectez minutieusement la souffleuse à neige pour détecter tout dommage et réparez les dommages avant de redémarrer et d'utiliser la souffleuse à neige.

- Si la souffleuse à neige commence à vibrer de façon anormale, arrêtez immédiatement le moteur et recherchez la cause du problème. Des vibrations sont généralement un signe avant-coureur d'un problème.
- Arrêtez le moteur chaque fois que vous quittez la position de fonctionnement, avant de déboucher le carter du système de projection à vis sans fin (tarière) ou la goulotte de décharge, et lors de toute réparation, de tout réglage ou de toute inspection.
- Lors du nettoyage, de la réparation ou de l'inspection de la souffleuse à neige, arrêtez le moteur et assurez-vous que l'ensemble du système d'entraînement par vis sans fin et toutes les pièces mobiles sont arrêtées. Retirez le(s) bloc(s)-piles pour éviter que quelqu'un ne fasse démarrer accidentellement le moteur.
- Faites preuve d'une grande prudence lorsque vous utilisez cet équipement sur une pente.
- N'utilisez jamais la souffleuse à neige sans que les dispositifs de protection ou autres systèmes de sécurité ne soient en place et fonctionnent correctement.
- Ne dirigez jamais la décharge vers des personnes se trouvent ou vers des zones où des blessures ou des dommages matériels peuvent se produire. Gardez les enfants et les autres personnes à l'écart.
- Ne surchargez pas la capacité de la souffleuse à neige en essayant de déblayer la neige à une vitesse trop rapide.
- Mettez le système d'alimentation par vis sans fin (tarière) hors tension lorsque la souffleuse à neige est transportée ou quand elle n'est pas utilisée.
- N'utilisez que des attachements et des accessoires approuvés par le fabricant de la souffleuse à neige.
- N'utilisez jamais la souffleuse à neige sans une bonne visibilité ou assez de lumière. Soyez toujours stable sur vos pieds et tenez fermement les poignées. Marchez ; ne courez jamais.
- N'exposez pas un bloc-piles ou une souffleuse à neige à un feu ou à une température excessive. L'exposition à un feu ou à une température supérieure à 130° C / 265° F pourrait causer une explosion.
- Débranchez le bloc-piles de votre équipement avant d'y apporter de quelconques modifications, de changer des accessoires ou de ranger cet équipement. De telles mesures de sécurité préventives réduisent le risque de démarrage accidentel de l'outil.
- Ne rechargez cet équipement qu'avec le chargeur indiqué par le fabricant. Un chargeur qui est approprié pour un type de bloc-piles pourrait créer un risque d'incendie quand il est utilisé avec un autre bloc-piles.

- N'utilisez la souffleuse à neige qu'avec un bloc-piles désigné spécialement à cet effet. L'emploi de tout autre bloc-piles risquerait de causer des blessures et un incendie.
- Lorsque le bloc-piles n'est pas utilisé, gardez-le à une distance suffisante des autres objets en métal, comme des trombones, pièces de monnaie, clés, clous, vis ou autres petits objets en métal qui pourraient établir une connexion entre une borne et une autre. Le court-circuitage des bornes d'une pile pourrait causer des brûlures ou un incendie.
- Dans des conditions d'utilisation abusives, du liquide pourrait être éjecté de la pile ; évitez tout contact. En cas de contact accidentel, lavez avec de l'eau. En cas de contact de liquide avec les yeux, consultez un professionnel de santé. Tout liquide éjecté d'une pile peut causer de l'irritation ou des brûlures.
- N'utilisez pas un bloc-piles ou un équipement qui est endommagé ou a été modifié. Des piles endommagées ou modifiées peuvent se comporter de façon imprévisible et causer un incendie, une explosion ou des blessures.
- Suivez toutes les instructions relatives à la charge et ne chargez pas le bloc-piles ou l'équipement en dehors de la plage de température indiquée dans les instructions. Une charge dans des conditions appropriées ou à des températures en dehors de la plage spécifiée pourrait endommager les piles et augmenter le risque d'incendie.
- Faites réparer votre produit par un réparateur compétent n'utilisant que des pièces de rechange identiques. Ceci assurera le maintien de la sécurité du produit.
- Ne modifiez pas et ne tentez pas de réparer la souffleuse à neige ou le bloc-piles (suivant le cas), sauf conformément à ce qui est indiqué dans les instructions d'entretien et d'utilisation.
- **N'utilisez la souffleuse qu'avec les blocs-piles et les chargeurs indiqués cidessous**

BLOC-PILES	CHARGEUR
BA1400, BA1400-FC, BA2800, BA2800-FC, BA4200, BA4200-FC, BA1400T, BA1400T-FC, BA2242T, BA2242T-FC, BA2800T, BA2800T-FC, BA3360T, BA3360T-FC, BA4200T, BA4200T-FC, BA4480T, BA4480T-FC, BA5600T, BA5600T-FC, BA6720T, BA6720T-FC	CH2100, CH2100-FC, CH3200, CH3200-FC, CH5500, CH5500-FC, CH2800D, CH2800D-FC, CH7000, CH7000-FC

AVIS : Pour obtenir de meilleures performances et une autonomie de fonctionnement maximale, il est recommandé d'utiliser deux blocs-piles de 5,0 Ah ou plus.

NETTOYAGE D'UNE GOULOTTE DE DÉCHARGE BOUCHÉE

Le contact des mains avec l'ensemble de vis sans fin en rotation à l'intérieur de la goulotte de décharge est la cause la plus fréquente des blessures associées aux souffleuses à neige. N'utilisez jamais votre main pour dégager la goulotte de décharge.

Pour dégager la goulotte :

- **METTEZ LES MOTEURS HORS TENSION !**
- Retirez le ou les bloc(s)-piles de la souffleuse à neige.
- Attendez 10 secondes pour vous assurer que l'ensemble de vis sans fin a cessé de tourner.
- Utilisez toujours un outil de nettoyage, pas vos mains.

MAINTENANCE ET ENTREPOSAGE

- Vérifiez fréquemment que toutes les fixations et tous les boulons sont bien serrés afin de vous assurer que l'équipement est dans un bon état de fonctionnement.
- Consultez toujours le mode d'emploi pour connaître les détails importants si la souffleuse à neige doit être stockée pendant une période prolongée.
- Assurez la lisibilité continue des étiquettes de sécurité et d'instructions, ou remplacez-les si besoin est.
- Continuez à faire fonctionner la souffleuse pendant quelques minutes après avoir soufflé la neige pour éviter le gel du système de projection par vis sans fin.

PILE EN FORME DE PIÈCE DE MONNAIE

- Le produit contient des piles non remplaçables.
- Retirez et recyclez ou jetez immédiatement les piles usagées conformément aux règlements locaux, et gardez-les hors de portée des enfants. Ne jetez PAS les piles dans les ordures ménagères et ne les incinériez PAS.
- Les piles, même usagées, peuvent provoquer des blessures graves, voire mortelles.
- Appelez un centre antipoison local pour obtenir des informations sur le traitement.
- Le type de pile en forme de pièce de monnaie : CR2032HT
- Tension nominale de la pile en forme de pièce de monnaie : 3 V

- Les piles non rechargeables ne doivent pas être rechargées.
- Ne déchargez pas, ne rechargez pas ou ne démontez pas en forçant, ne chauffez pas au-delà de la température nominale spécifiée par le fabricant et n'incinerez pas. Vous risqueriez de vous blesser en cas de ventilation, de fuite ou d'explosion entraînant des brûlures chimiques.

⚠ AVERTISSEMENT

- **RISQUE D'INGESTION** : Ce produit contient une pile bouton ou une pile en forme de pièce de monnaie.
- L'ingestion de ce produit peut entraîner la **MORT** ou des blessures graves.
- Si elle est avalée, une pile bouton ou une pile en forme de pièce de monnaie peut provoquer des **brûlures chimiques internes** en seulement **deux heures**.
- **TENEZ** les piles neuves et usagées **HORS DE PORTÉE DES ENFANTS**
- **Consultez immédiatement un médecin** si vous soupçonnez qu'une pile a été avalée ou insérée à l'intérieur d'une partie quelconque du corps.



CONSERVEZ CES INSTRUCTIONS ! Consultez-les fréquemment et utilisez-les pour donner les instructions nécessaires à d'autres personnes qui peuvent utiliser cet appareil. Si vous prêtez cet appareil à quelqu'un d'autre, remettez également ces instructions à la personne à laquelle vous le prêtez pour éviter toute utilisation inappropriée du produit et tout risque de blessure.

INTRODUCTION

Félicitations pour votre choix de la nouvelle souffleuse à neige à pile au lithium-ion de 56 V. Elle a été conçue, développée et fabriquée pour vous donner le plus possible de fiabilité et de rendement.


Si vous rencontrez un problème auquel vous ne pouvez pas remédier facilement, veuillez contacter le service à la clientèle d'EGO en téléphonant au 1-855-EGO-5656.

Le présent guide contient des renseignements importants pour assembler, utiliser et entretenir la souffleuse à neige en toute sécurité. Lisez-le attentivement avant d'utiliser l'outil. Conservez ce guide à portée de main afin de pouvoir le consulter à tout moment.

NUMÉRO DE SÉRIE _____ DATE D'ACHAT _____

NOUS VOUS RECOMMANDONS DE NOTER LE NUMÉRO DE SÉRIE ET LA DATE D'ACHAT ET DE LES CONSERVER EN LIEU SÛR AFIN DE POUVOIR LES CONSULTER ULTÉRIEUREMENT. CONSERVEZ VOTRE REÇU DE CAISSE.

SPÉCIFICATIONS

Tension	56V 
Largeur de dégagement	530 mm / 21 po
Hauteur d'admission	330 mm / 13 po
Distance de projection	Jusqu'à 14 m / 45 pi
Taille de la roue	230 mm / 9 po
Indice de protection pour la pénétration	IPX4* (Protection contre les éclaboussures d'eau)
Température de fonctionnement recommandée	-20° C – 10° C / -4° F – 50° F
Température de stockage recommandée	-20° C – 70° C / -4° F – 158° F
Poids (sans le bloc-piles)	30 kg / 66 lb

* **REMARQUE** : La notation IPX4 est valable lorsque le compartiment à piles est correctement fermé.

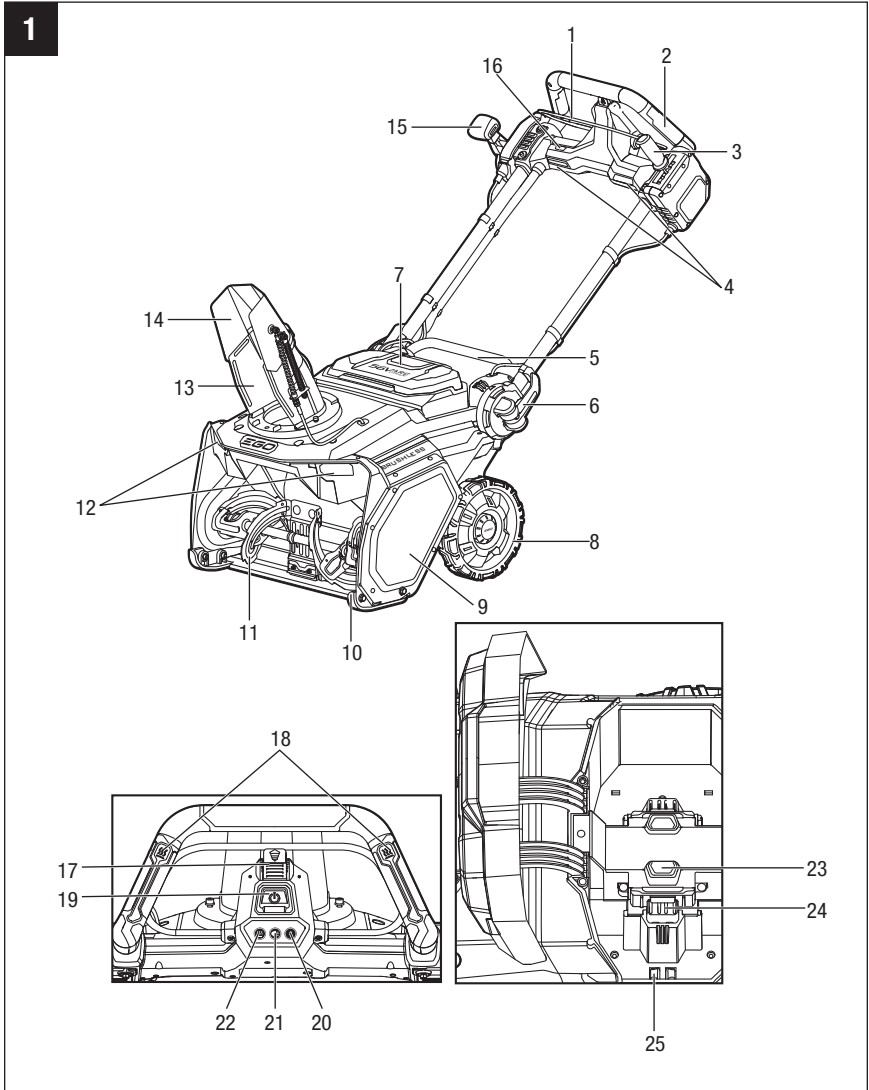
ACCESSOIRES

⚠ AVERTISSEMENT : N'utilisez que les accessoires énumérés ci-dessous. L'utilisation d'accessoires qui ne répondent pas aux spécifications des équipements d'origine pourrait causer une performance inadéquate et compromettre la sécurité.

NOM DE LA PIÈCE	NUMÉRO DE MODÈLE
Patins de glissement (paire)	AKS2130D
Barre de raclage	ASS2130
Cache	CB002

DESCRIPTION

FAMILIARISEZ-VOUS AVEC VOTRE SOUFFLEUSE À NEIGE (Fig. 1)



1	Interrupteur à levier (levier de l'interrupteur)	14	Défecteur de la goulotte de décharge
2	Poignée principale	15	Poignée de rotation de la goulotte de décharge
3	Poignée du déflecteur de la goulotte de décharge	16	Indicateur de charge
4	Phares de la poignée	17	Cadran de réglage de la vitesse de la tarière
5	Poignée d'élévation	18	Poignée chauffée
6	Levier à relâchement rapide (x2)	19	Bouton de sécurité
7	Cache du compartiment des piles	20	Bouton de l'IdO
8	Roue (x2)	21	Bouton des phares
9	Cache de la courroie d'entraînement	22	Bouton de marche/arrêt pour le chauffage
10	Patin de glissement (x2)	23	Bouton d'éjection du bloc-piles
11	Ensemble de tarière	24	Contactés électriques
12	Phares du châssis	25	Mécanisme d'éjection
13	Goulotte de décharge		

⚠ AVERTISSEMENT : Pour que ce produit puisse être utilisé en toute sécurité, il est nécessaire de comprendre les informations figurant sur le produit et dans son mode d'emploi, et de bien maîtriser le projet que vous voulez réaliser. Avant d'utiliser ce produit, familiarisez-vous avec toutes ses fonctionnalités et les consignes de sécurité qui s'y appliquent.

Bouton de sécurité (mise en marche/arrêt)

Le bouton de sécurité doit être enfoncé avant que le moteur de la tarière puisse démarrer.

Interrupteur à levier

L'interrupteur à levier est situé sur la poignée du haut de la souffleuse à neige. L'interrupteur à levier permet d'activer et de désactiver le moteur de la tarière.

⚠ AVERTISSEMENT : L'interrupteur à levier et le bouton de sécurité sont des dispositifs de sécurité. Ne tentez jamais de vous en passer.

Indicateur de charge

Indique l'état de charge/fonctionnement de la souffleuse à neige et du bloc-piles.

Cadran de réglage de la vitesse de la tarière

Règle la vitesse de la tarière, qui détermine la distance de projection.

Poignée de rotation de la goulotte

Fait pivoter la goulotte afin que l'utilisateur puisse diriger la neige déchargée comme il le souhaite. La poignée permet de faire pivoter la goulotte de 100° à gauche jusqu'à 100° à droite.

Poignée du déflecteur de la goulotte de décharge

Règle l'angle du déflecteur de la goulotte qui détermine la hauteur du jet de décharge et, en partie, la distance de projection.

Poignée chauffée

La zone de préhension peut être chauffée en appuyant sur l'interrupteur de mise en marche/d'arrêt du chauffage, afin de fournir de la chaleur aux mains de l'opérateur.

Bouton de mise en marche/arrêt pour le chauffage

Permet d'activer et de désactiver la fonction de chauffage de la poignée.

Phares du châssis et de la poignée

Ces lampes à DEL fournissent une lumière brillante pour améliorer la visibilité.

Bouton des phares

Permet d'allumer et d'éteindre les phares du châssis et de la poignée.

Bouton de l'IdO (Internet des objets)

Connecte la souffleuse à neige à l'application EGO Connect.

Barre de raclage

Enlève toute la neige qui reste sur la surface que vous êtes en train de nettoyer.

Patins de glissement

Augmentent la capacité de manœuvre de la souffleuse à neige sur la neige et ajustent la distance entre la barre de raclage de la neige et le sol.

Levier à relâchement rapide

Verrouille/déverrouille les rails latéraux en position de travail ou de rangement.

Bouton d'éjection du bloc-piles

Appuyez sur cette touche pour éjecter rapidement la pile.

PEAK POWER™

Cette technologie combine la puissance de jusqu'à deux piles EGO ARC Lithium™ de 56 V pour assurer une durée de fonctionnement plus longue et une consommation d'énergie efficace.

ASSEMBLAGE

⚠ AVERTISSEMENT : Ne tentez pas de modifier cet article ou de créer des accessoires qui ne sont pas recommandés pour cet article. Toute modification est considérée comme un usage inapproprié et peut créer une situation dangereuse susceptible d'entraîner des blessures graves.

⚠ AVERTISSEMENT : Ne tentez pas de modifier ce produit ou de créer des accessoires qu'il n'est pas recommandé d'utiliser avec cette souffleuse. Une telle altération ou modification constituerait une utilisation abusive et pourrait créer une situation dangereuse avec risque de blessures graves.

⚠ AVERTISSEMENT : Pour prévenir toute mise en marche accidentelle qui pourrait causer des blessures graves, retirez toujours le(s) bloc(s)-piles de l'outil lorsque vous êtes en train d'assembler des pièces.

DÉBALLAGE

Ce produit nécessite un assemblage.

- Saisissez simultanément la poignée arrière et la partie avant du produit pour soulever le produit avec précaution et le sortir du carton. Retirez tous les autres accessoires éventuels du carton. Assurez-vous que tous les articles indiqués sur la « **LISTE DES PIÈCES** » sont inclus.

⚠ AVERTISSEMENT : N'utilisez pas ce produit si de quelconques pièces figurant sur la « **LISTE DES PIÈCES** » sont déjà montées sur votre produit lorsque vous le sortez de son emballage. Les pièces figurant sur cette liste ne sont pas montées sur le produit par le fabricant. Elles nécessitent une installation par le client. L'utilisation d'un produit pouvant avoir été assemblé de façon incorrecte pourrait causer des blessures graves.

- Inspectez attentivement le produit pour vous assurer qu'aucun dommage ou bris de pièce(s) ne s'est produit pendant le transport.
- Ne jetez pas les matériaux d'emballage avant d'avoir inspecté attentivement le produit et de l'avoir mis en marche de façon satisfaisante.
- Si une pièce quelconque est endommagée ou manquante, veuillez rapporter le produit dans le magasin où vous l'avez acheté.

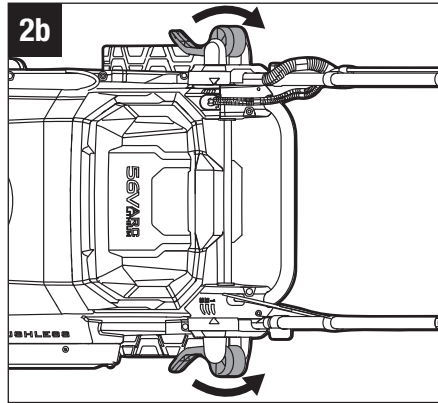
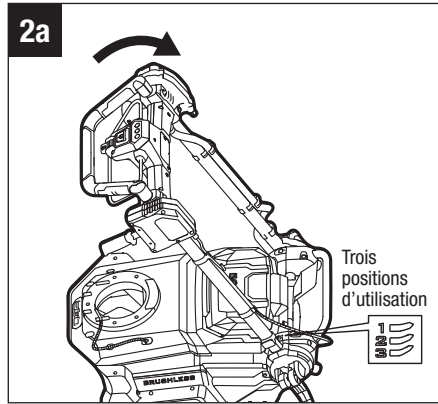
LISTE DES PIÈCES

NOM DE LA PIÈCE	QUANTITÉ
Souffleuse à neige	1
Goulotte de décharge	1
Mode d'emploi	1
Clé Allen de 5 mm	1

DÉPLIEMENT DES RAILS LATÉRAUX (Fig. 2)

⚠ AVERTISSEMENT : N'essayez pas de faire démarrer la souffleuse à neige lorsque les rails latéraux sont rabattus.

1. Votre souffleuse à neige est expédiée avec les rails latéraux en position pliée.
2. Pivotez doucement les rails latéraux vers le haut jusqu'à ce qu'ils atteignent la position de votre choix. Les rails latéraux peuvent être réglés sur trois positions différentes. Choisissez une position de travail confortable en fonction de votre taille (Fig. 2a).
3. Fermez les leviers de relâchement rapide, puis serrez les rails latéraux en place (Fig. 2b).



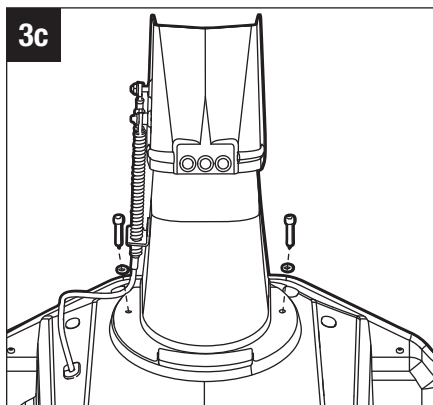
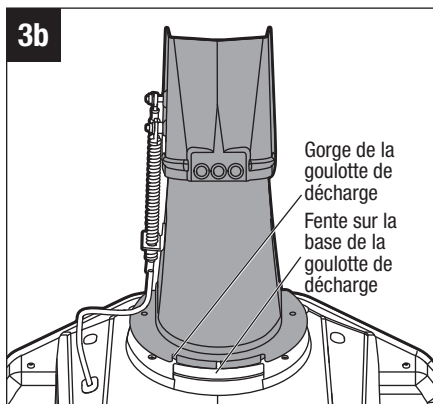
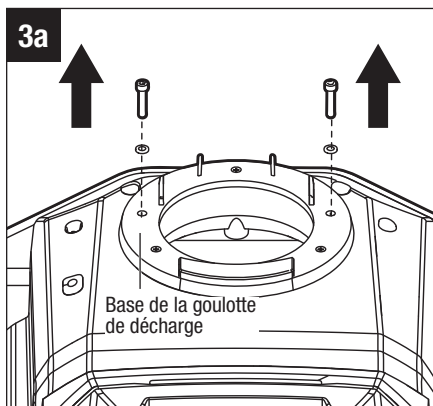
INSTALLATION DE LA GOULOTTE DE DÉCHARGE (Fig. 3)

Outils nécessaires (inclus) : Clé Allen de 5 mm

1. Utilisez la Clé Allen fournie pour desserrer et retirer les deux jeux de boulons et de rondelles de la base de la goulotte de décharge comme illustré à la Fig. 3a.
2. Alignez les rainures de la goulotte de décharge sur la fente de la base de la goulotte, puis poussez la goulotte en place (Fig. 3b).
3. Utilisez la Clé Allen pour verrouiller la goulotte en place avec les deux jeux de boulons et de rondelles (Fig. 3c).
4. En utilisant la poignée de rotation de la goulotte de décharge située à l'endroit où se trouve l'opérateur, référez-vous au chapitre intitulé « **RÉGLAGE DE LA GOULOTTE DE DÉCHARGE** ».

⚠ AVERTISSEMENT : Assurez-vous que la goulotte de décharge tourne correctement de façon que l'ouverture d'éjection ne fasse jamais interférence avec les commandes de l'opérateur.

⚠ AVERTISSEMENT : N'utilisez jamais la souffleuse à neige sans que la goulotte de décharge complète ne soit en place.



FONCTIONNEMENT

⚠ AVERTISSEMENT : Même si vous connaissez parfaitement ce produit, soyez vigilant. N'oubliez pas qu'une fraction de seconde d'inattention suffit à se blesser grièvement.

⚠ AVERTISSEMENT : Portez toujours des lunettes de sécurité conformes à la norme ANSI Z87.1. Sinon, vous pourriez recevoir des débris dans les yeux et vous blesser grièvement.

⚠ AVERTISSEMENT : N'utilisez pas de pièces ni d'accessoires qui ne sont pas recommandés par le fabricant de ce produit. L'utilisation de pièces ou d'accessoires non recommandés peut causer des blessures graves.

UTILISATIONS

Vous pouvez utiliser ce produit pour les types de travaux listés ci-dessous.

- Enlèvement de la neige d'endroits tels que des voies d'accès pour autos et des trottoirs.

ATTACHEMENT/DÉTACHEMENT DU BLOC-PILES (Fig. 4a)

Chargez le bloc-piles avant de vous en servir pour la première fois !

REMARQUE : La souffleuse à neige peut être alimentée par un ou deux blocs-piles. L'utilisation de deux blocs-piles vous permet de bénéficier d'une plus grande autonomie de fonctionnement et d'une consommation d'énergie efficace gérée par la technologie PEAK POWER™. Pour obtenir de meilleures performances, nous recommandons l'utilisation de deux blocs-piles de 5,0 Ah ou plus.

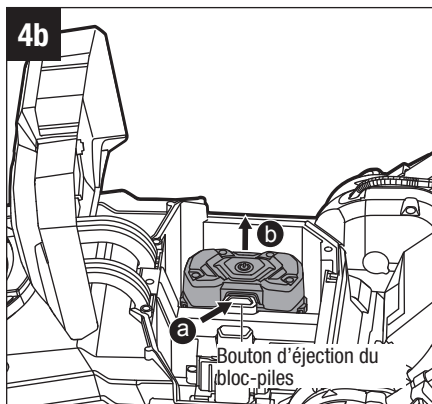
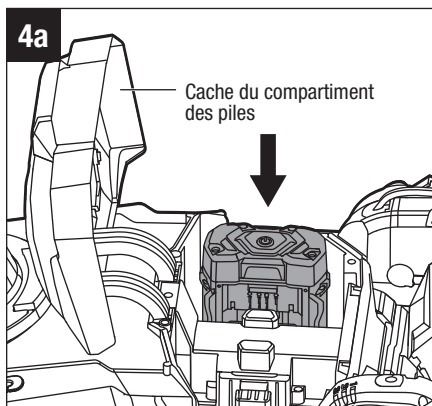
Quand ils ne sont pas utilisés, les blocs-piles de 56 V doivent être rangés dans un endroit fermé où la température ne descendra pas au-dessous de -20° C / -4° F. Les températures de charge optimales sont comprises entre 5° C et 40° C / 41° F et 104° F.

⚠ AVERTISSEMENT : Si de quelconques pièces sont cassées ou manquantes, ne tentez pas d'attacher les blocs-piles à la souffleuse à neige ou de faire fonctionner la souffleuse avant que les pièces cassées ou manquantes n'aient été remplacées. Si vous ne respectez pas cette consigne, vous risqueriez de causer des blessures graves.

1. Le cache du compartiment des piles est articulé. Levez le cache du compartiment des piles en soulevant le devant du cache.
2. La souffleuse à neige est dotée d'un double compartiment à piles, qui permet d'utiliser deux blocs-piles en même temps.
3. Alignez les rainures dans le bloc-piles sur les nervures de l'un des compartiments des piles, puis insérez le bloc-piles dans le compartiment (Fig. 4a).
4. Enfoncez le bloc-piles jusqu'à ce que vous entendiez un déclic. Le bouton d'éjection des piles rebondira une fois que le bloc-piles aura été attaché de façon sécurisée.

AVIS : Assurez-vous que le loquet de verrouillage du bloc-piles se met bien en place et que le bloc-piles est bien assujéti à la machine avant de commencer à l'utiliser.

5. Attachez l'autre bloc-piles dans l'autre compartiment des piles de la même manière.
6. **Pour retirer le bloc-piles**, appuyez sur le bouton d'éjection des piles pour relâcher le bloc-piles, puis tirez dessus pour le faire sortir du compartiment (Fig. 4b).
7. Rabattez le cache du compartiment des piles.



DÉMARRAGE/ARRÊT DE LA SOUFFLEUSE À NEIGE

⚠ AVERTISSEMENT : Ne tentez pas de changer les paramètres de fonctionnement du bouton de sécurité et de l'interrupteur à levier.

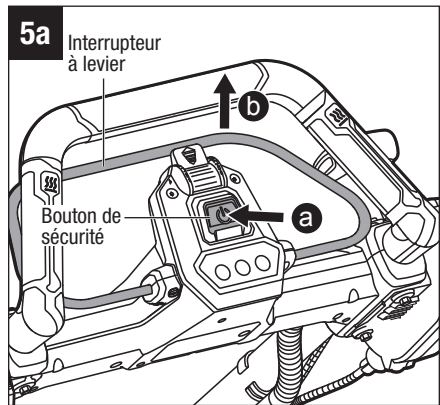
⚠ AVERTISSEMENT : Pendant son fonctionnement, une souffleuse à neige peut projeter des corps étrangers dans les yeux de son utilisateur ou d'autres personnes et lui infliger de graves blessures aux yeux. Portez toujours des lunettes de sécurité lorsque vous utilisez la souffleuse à neige ou pendant que vous réalisez de quelconques réglages ou réparations sur la souffleuse à neige.

⚠ AVERTISSEMENT : Assurez-vous que les autres personnes et les animaux de compagnie restent à au moins 30 mètres / 100 pi de la souffleuse à neige pendant qu'elle est en train de fonctionner.

⚠ AVERTISSEMENT : La tarière continue à tourner pendant quelques secondes après l'arrêt du moteur de la souffleuse à neige. Attendez que la tarière cesse de tourner avant de la remettre en marche.

Mise en marche de la souffleuse à neige (Fig. 5)

1. Assurez-vous que les rails latéraux sont bien verrouillés dans l'une des positions de fonctionnement dépliées.
2. Attachez le ou les bloc(s)-piles dans la souffleuse à neige, et fermez le cache du compartiment des piles. Reportez-vous au chapitre intitulé « **ATTACHEMENT/DÉTACHEMENT DU BLOC-PILES** ».
3. Mettez la souffleuse à neige sous tension en appuyant sur le bouton de sécurité (Fig. 5a).
4. Appuyez sur le bouton de sécurité et, tout en maintenant ce bouton enfoncé, tirez sur l'interrupteur à levier (vers le haut) pour entrer en contact avec la poignée principale (Fig. 5a).



- Une fois que la tarière démarre, relâchez le bouton de sécurité et commencez à travailler (Fig. 5b).

REMARQUE : Pour mettre la souffleuse à neige en marche, il faut d'abord appuyer sur le bouton de sécurité, puis comprimer l'interrupteur à levier. L'opération inverse ne permet pas de faire démarrer la souffleuse à neige.

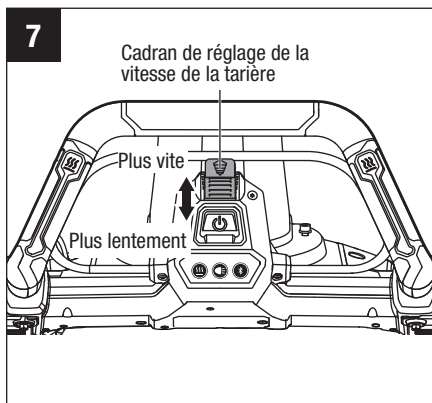
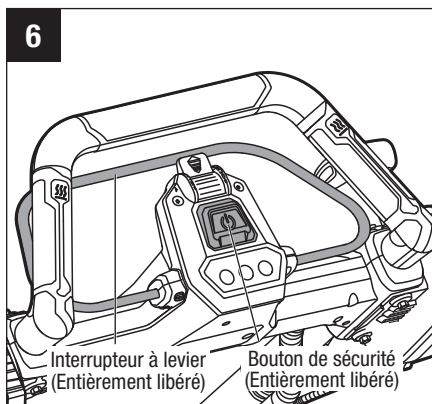
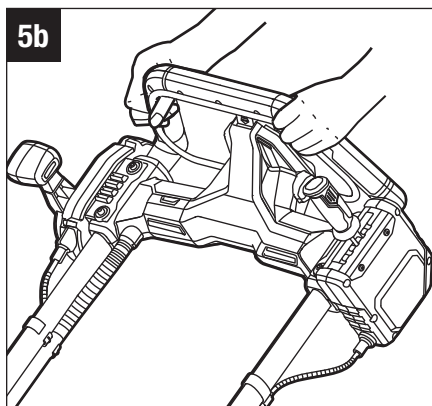
REMARQUE : La souffleuse à neige peut ne pas démarrer correctement si la température des piles est inférieure ou égale à -20°C / -4°F . Si la souffleuse à neige ne démarre pas, retirez les piles de la souffleuse et laissez-les se réchauffer à l'intérieur pendant 10 minutes ou plus. Réinstallez les piles et réessayez.

Arrêt de la souffleuse à neige (Fig. 6)

- Relâchez complètement l'interrupteur à levier.
- Le frein électrique du mécanisme de freinage automatique arrêtera la rotation de la tarière dans les trois secondes suivant le relâchement de l'interrupteur à levier.

SYSTÈME DE RÉGLAGE DE LA VITESSE DE LA TARIÈRE (Fig. 7)

La vitesse de rotation de la tarière détermine la distance de projection. La vitesse de la tarière est variable et peut être réglée à l'aide du cadran de réglage de la vitesse de la tarière.

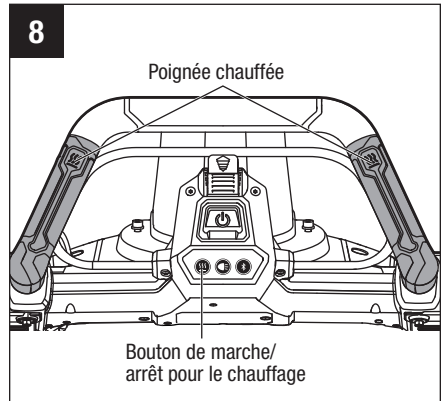


1. **Pour augmenter la vitesse**, tournez la molette du cadran de réglage de la vitesse de la tarière vers l'avant, dans le sens opposé à celui de l'utilisateur.
2. **Pour diminuer la vitesse**, tournez la molette du cadran de réglage de la vitesse de la tarière vers l'arrière, en direction de l'utilisateur.

POIGNÉE CHAUFFÉE (Fig. 8)

Cette souffleuse à neige est dotée d'une zone de préhension chauffée pour réchauffer vos mains.

⚠ AVERTISSEMENT : Assurez-vous que le revêtement en caoutchouc est intact au niveau des zones chauffées de la poignée avant de mettre en marche le chauffage de la zone de préhension. Une peau non protégée peut subir des brûlures au contact des éléments chauffants exposés.



1. Attachez le bloc-piles.
2. **Pour activer le chauffage de la poignée**, appuyez sur le bouton de marche/arrêt du chauffage, et le bouton lui-même s'illuminera.
3. **Pour désactiver le chauffage de la poignée**, appuyez à nouveau sur le bouton de marche/arrêt du chauffage, et le bouton s'éteindra.

REMARQUE : Lorsque le chauffage est activé, et lorsque la souffleuse à neige est utilisée dans la plage de température de fonctionnement recommandée, la température de la poignée chauffée est maintenue entre 35° C / 95° F et 55° C / 131° F.

REMARQUE : Le chauffage s'éteint automatiquement pour préserver la charge des piles si la souffleuse est restée inactive pendant 10 minutes.

PHARES DU CHÂSSIS ET DE LA POIGNÉE (Fig. 9)

Un jeu de phares à DEL est situé à l'avant du châssis et un autre à l'avant de la zone de la poignée.

1. Attachez le bloc-piles.
2. Quand on appuie une fois sur le bouton des phares, les phares du châssis et de la poignée s'allument.
3. Quand on appuie une deuxième fois sur le bouton des phares, les phares du châssis et de la poignée clignotent.
4. Quand on appuie une troisième fois sur le bouton des phares, les phares du châssis et de la poignée s'éteignent.

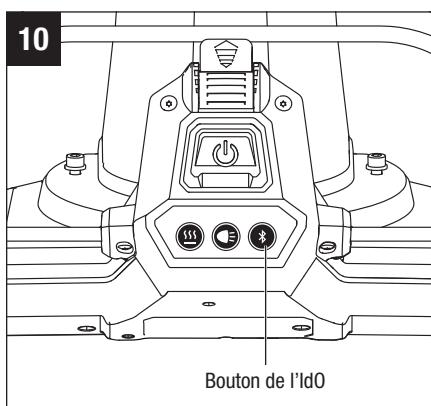
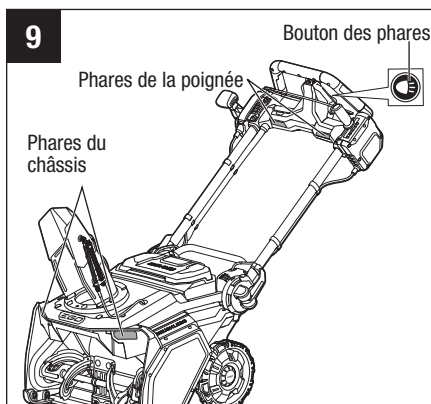
REMARQUE : Il n'y a pas de témoin lumineux pour indiquer si les phares à DEL sont allumés ou éteints.

REMARQUE : Tous les phares s'éteignent automatiquement pour préserver la charge des piles si la souffleuse à neige est restée inactive pendant cinq minutes.

UTILISATION DE L'APPLICATION EGO CONNECT (Fig. 10)

Pour installer et configurer l'appli

1. Téléchargez l'application EGO Connect depuis l'App Store pour les appareils iOS tels que l'iPhone ou depuis Google Play pour les appareils Android.
2. Assurez-vous que la fonction Bluetooth est activée sur votre appareil mobile et que votre appareil mobile est connecté à Internet.



3. Dans l'application, appuyez sur « SIGN IN » pour vous connecter si vous avez déjà un compte ou sur « SIGN UP » pour vous inscrire, et suivez les étapes ci-dessous pour créer un nouveau compte.
4. Attachez le bloc-piles. Appuyez sur l'un des boutons de sécurité, sur le bouton de l'IdO, sur le bouton de mise en marche/arrêt du chauffage ou sur le bouton des phares pour mettre la souffleuse à neige en marche.
5. Dans l'application, appuyez sur « Add Tool » pour ajouter un outil et suivez les instructions de l'application pour ajouter votre souffleuse à neige.
6. Suivez les instructions de l'application pour la connecter à votre souffleuse à neige.

REMARQUE : Le voyant du bouton de l'IdO clignote pendant l'appariement et reste allumé lorsque l'appariement est réussi.

Mise à jour du micrologiciel

Le micrologiciel est un système d'exploitation fonctionnant sur l'ordinateur embarqué de votre souffleuse à neige. De nouvelles versions du micrologiciel sont régulièrement disponibles. Il est vivement recommandé d'installer la dernière version sur votre souffleuse à neige afin de s'assurer que la souffleuse à neige produit les meilleures performances, avec une consommation d'énergie réduite et une sécurité accrue.

Dans l'écran d'état de fonctionnement (« Status »), si vous voyez une nouvelle version, tapez dessus pour installer le micrologiciel le plus récent. Les phares du châssis et de la poignée clignotent pendant la mise à jour. Suivez les instructions de l'application pour effectuer la mise à jour du micrologiciel.

Pour plus d'informations sur les fonctionnalités et les caractéristiques de l'application, veuillez consulter les instructions figurant dans la dernière version de l'application EGO Connect.

RÉGLAGE DE LA GOULOTTE DE DÉCHARGE (Fig. 11)

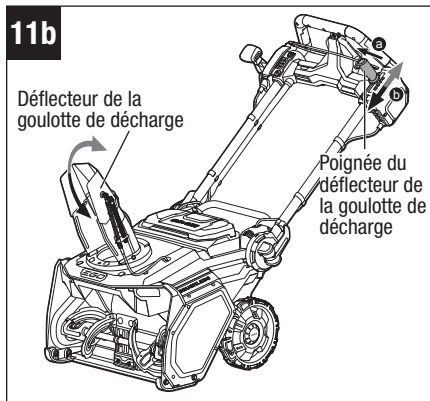
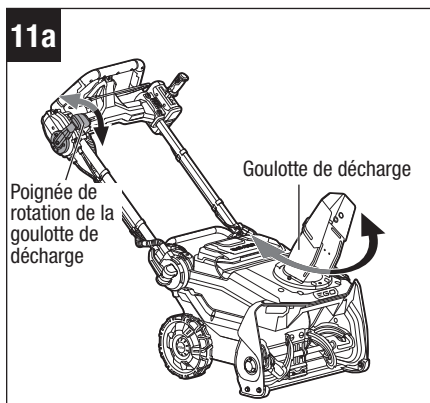
La goulotte de décharge peut être réglée pour modifier à la fois la direction et la distance de projection de la neige afin de vous aider à éloigner la neige d'une zone et à la déposer dans une autre.

La **direction** du dégagement de la neige peut être réglée jusqu'à 100° à gauche et 100° à droite (Fig. 11a).

1. Poussez la poignée de rotation de la goulotte de décharge vers l'avant pour faire pivoter la goulotte vers la gauche.
2. Tirez la poignée de rotation de la goulotte de décharge vers l'arrière pour faire pivoter la goulotte vers la droite.

La **distance de projection** de la souffleuse à neige est déterminée en partie par l'angle d'inclinaison du déflecteur de la goulotte vers le haut ou vers le bas (Fig. 11b).

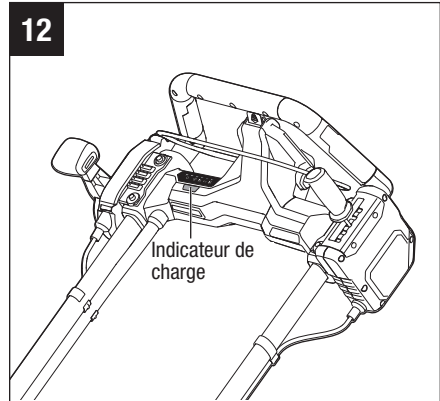
1. Pour augmenter la distance de projection de la neige, saisissez la poignée du déflecteur de la goulotte de décharge et déplacez-la vers l'intérieur pour la désengager du cran, puis déplacez la poignée vers le haut et engagez-la dans le cran lorsque la distance de projection souhaitée est atteinte.
2. Pour réduire la distance de projection de la neige, saisissez la poignée du déflecteur de la goulotte de décharge et déplacez-la vers l'intérieur pour la désengager du cran, puis déplacez la poignée vers le bas et engagez-la dans le cran lorsque la distance de projection souhaitée est atteinte.



⚠ AVERTISSEMENT : Tenez fermement la poignée du déflecteur de la goulotte de décharge lorsque vous réglez la distance de projection, et ne le relâchez que quand il est engagé de façon sécurisée dans le cran désiré. Un relâchement brusque de la poignée pourrait produire un risque de pincement ou d'attraction de la main de l'opérateur.

INDICATEUR D'ÉTAT DE CHARGE DE LA SOUFFLEUSE À NEIGE (Fig. 12)

La souffleuse à neige est équipée d'un indicateur d'état de charge de la souffleuse qui indique le niveau de charge du ou des bloc(s)-piles et l'état de charge de la souffleuse à neige. L'indicateur d'état de charge s'allume uniquement lorsque la souffleuse à neige est mise en marche.



REMARQUE : Pour tout défaut qui n'a pas pu être résolu, contacter un centre de service à la clientèle d'EGO pour faire réparer la souffleuse.

INDICATEUR D'ÉTAT DE CHARGE	SIGNIFICATION	ACTION
Clignotant en vert	Le bouton de sécurité est enfoncé, et la souffleuse à neige est sous tension et prête à fonctionner. Chaque bloc-piles inséré a au moins 15 % de sa charge.	Fonctionnement normal. Aucune action n'est nécessaire.
Vert brillant	La souffleuse à neige fonctionne correctement, et chaque bloc-piles a au moins 15 % de sa charge.	Fonctionnement normal. Aucune action n'est nécessaire.

INDICATEUR D'ÉTAT DE CHARGE	SIGNIFICATION	ACTION
Clignotant en rouge	Le bloc-piles est presque complètement déchargé.	Arrêtez la souffleuse à neige et rechargez le(s) bloc-piles(s).
Orange brillant	La souffleuse à neige est en état de surchauffe.	Arrêtez la souffleuse à neige et attendez un certain temps pour que la machine refroidisse.
Clignotant en orange	La souffleuse à neige est en état de surcharge.	Retirez le(s) bloc(s)-piles. Inspectez la souffleuse et dégagez la neige qui s'est accumulée en dessous ou qui est logée dans la tarière. Ralentissez votre rythme ou réduisez la largeur de la zone de déneigement lorsque vous travaillez.
Clignotant en rouge et vert en alternance	Erreur de communication.	Contactez un centre de service à la clientèle d'EGO si des réparations sont nécessaires.
Aucune indication	Si le voyant à DEL d'un bloc-piles ou des deux blocs-piles clignote en orange ou brille en rouge, cela signifie que le ou les bloc(s)-piles est/sont en état de surchauffe.	Arrêtez la souffleuse à neige et laissez le bloc-piles refroidir.
	Autres défauts : interrupteur, éclairage, etc.	Contactez un centre de service à la clientèle d'EGO si des réparations sont nécessaires.

PROTECTION CONTRE LA SURCHARGE DE LA SOUFFLEUSE À NEIGE

Pour éviter tout risque de surcharge, n'essayez pas de retirer trop de neige en une seule fois. Ralentissez votre rythme ou diminuez la largeur de la zone de déneigement.

Votre souffleuse à neige possède des éléments intégrés de détection de surcharge. Lorsque le moteur de la tarière est en état de surcharge, le moteur de la tarière diminue automatiquement la vitesse de rotation de la tarière, et vous entendrez le volume (bruit) du moteur diminuer. En cas de surcharge, ralentissez votre rythme ou réduisez la largeur de déblaiement, après quoi la vitesse du moteur de la tarière reprendra automatiquement son rythme normal. Si ce remède ne résout pas la situation de surcharge, le capteur arrête automatiquement le moteur et le témoin d'indicateur d'état de charge clignote en orange. Retirez le ou les bloc(s)-piles de la souffleuse à neige. Vérifiez si de la neige ou de la glace est coincée dans la tarière et le châssis, et utilisez un outil de nettoyage pour les dégager si nécessaire. Réinstallez le(s) bloc(s)-piles et faites redémarrer la souffleuse à neige.

DÉGAGEMENT D'UNE GOULOTTE DE DÉCHARGE BOUCHÉE

⚠ AVERTISSEMENT : Le contact des mains avec la tarière en rotation à l'intérieur de la goulotte de décharge est la cause la plus fréquente des blessures associées aux souffleuses à neige. N'utilisez jamais votre main pour dégager la goulotte.

⚠ AVERTISSEMENT : Ne mettez jamais les mains dans la goulotte de décharge et ne placez aucune partie du corps devant la souffleuse à neige lorsque l'appareil fonctionne ou lorsque le(s) bloc(s)-piles est/sont installé(s). Assurez-vous toujours que toutes les pièces mobiles sont arrêtées et que le(s) bloc(s)-piles a/ont été retiré(s) avant de dégager toute obstruction. Si vous ne tenez pas compte de ces instructions, vous risquez de vous blesser grièvement.

Pour dégager la goulotte :

1. Arrêtez le moteur de la tarière !
2. Retirez le ou les bloc(s)-piles de la souffleuse à neige.
3. Attendez 10 secondes pour vous assurer que la tarière a cessé de tourner.
4. Utilisez toujours un outil de nettoyage, comme une tige en bois ou d'autres outils de nettoyage disponibles dans le commerce ; **N'UTILISEZ PAS VOTRE MAIN.**

PROTECTION CONTRE LES HAUTES TEMPÉRATURES DES PILES

Si la température des piles dépasse 70° C / 158° F pendant le fonctionnement, le circuit de protection contre les températures élevées éteint immédiatement la souffleuse à neige pour protéger les blocs-piles contre les dommages pouvant être causés par la chaleur. L'indicateur de charge de la souffleuse à neige s'éteindra, et le voyant à DEL sur le bloc-piles clignotera en orange ou brillera en rouge.

REMARQUE : Le voyant à DEL sur les modèles de blocs-piles suivants clignotera en orange en cas de surchauffe : BA1400, BA1400-FC, BA2800, BA2800-FC, BA4200 et BA4200-FC ; les DEL sur les modèles de blocs-piles suivants s'allumeront et brilleront en rouge en cas de surchauffe : BA1400T, BA1400T-FC, BA2242T, BA2242T-FC, BA2800T, BA2800T-FC, BA3360T, BA3360T-FC, BA4200T, BA4200T-FC, BA4480T, BA4480T-FC, BA5600T, BA5600T-FC, BA6720T et BA6720T-FC.

Relâchez l'interrupteur à levier et attendez que le(s) bloc(s)-piles en état de surchauffe refroidisse(nt) et que le voyant à DEL des piles devienne vert, puis redémarrez la souffleuse à neige.

Pour éviter un arrêt dû au système de protection contre les températures élevées des piles, n'essayez pas d'utiliser une seule pile pour alimenter la souffleuse à neige lorsque l'épaisseur de la neige accumulée dépasse 76 mm / 3 po ou lorsque la neige est très humide ou glacée. Nous recommandons l'utilisation de deux piles fonctionnant simultanément. Cela permet d'atteindre la puissance maximale de la souffleuse à neige.

Après l'activation du système de protection contre les températures élevées, ralentissez votre allure et réduisez la largeur de la zone de déneigement afin de réduire la charge sur la pile.

CONSEILS D'UTILISATION

⚠ DANGER : N'utilisez jamais une souffleuse à neige sur des rivières ou des lacs gelés, ou sur des surfaces similaires. Des blessures graves ou la mort pourraient survenir si la glace cède.

⚠ DANGER : N'utilisez jamais la souffleuse à neige sur un toit ou sur toute autre surface instable, car cela pourrait entraîner des blessures graves ou la mort.

⚠ DANGER : N'utilisez pas la souffleuse à neige sur une surface verglacée, car vous pourriez glisser et tomber, ce qui pourrait éventuellement vous causer des blessures graves.

⚠ AVERTISSEMENT : Ne portez pas de vêtements amples, de foulard ni de bijoux. Ceux-ci risquent d'être happés par des pièces mobiles et entraîner des blessures graves ou la mort.

⚠ AVERTISSEMENT : Dirigez la projection de la neige loin de tout appareil électrique afin de réduire les risques d'électrocution ou de choc électrique.

⚠ AVERTISSEMENT : Ne dirigez jamais la souffleuse à neige ou la goulotte vers des personnes ou des animaux. De la neige ou d'autres objets projetés peuvent causer des blessures graves.

⚠ AVERTISSEMENT : Assurez-vous que la surface à déneiger est exempte de pierres, de branches, de fils, de gravier et d'autres objets qui pourraient être accidentellement projetés par la souffleuse à neige dans n'importe quelle direction et causer de graves blessures à l'opérateur ou à d'autres personnes.

- Si la souffleuse entre en contact avec un type quelconque d'obstacles ou de débris pendant son utilisation, arrêtez la souffleuse à neige, retirez les blocs-piles, éliminez l'obstruction et inspectez soigneusement l'appareil avant de reprendre le déneigement.

⚠ AVERTISSEMENT : Ne touchez pas l'intérieur de la goulotte d'éjection et ne placez aucune partie de votre corps devant la souffleuse à neige quand celle-ci est en marche ou lorsque les blocs-piles sont installés. Assurez-vous toujours que toutes les pièces mobiles ont cessé de bouger et que les blocs-piles ont été retirés avant de débloquer toute obstruction. Le non-respect de ces instructions peut entraîner des blessures graves.

Prenez note de la direction du vent avant de commencer. Lorsque cela est possible, projetez la neige dans le sens du vent pour empêcher qu'elle ne vous revienne dans le visage.

- Certaines pièces de la souffleuse à neige peuvent geler dans des conditions météorologiques extrêmes. Ne tentez pas de faire fonctionner cette souffleuse avec des pièces gelées.
- Lorsque vous avez terminé, laissez le moteur tourner pendant encore quelques

- minutes afin d'éviter que des pièces mobiles ne gèlent, puis déplacez la poignée de rotation de la goulotte plusieurs fois dans un mouvement de va-et-vient pour le dégager de toute accumulation de glace. Assurez-vous d'enlever toute la neige et toute la glace de la base de la goulotte.
- Dans des conditions froides et neigeuses, certaines commandes et certaines pièces mobiles peuvent geler. N'utilisez pas une force excessive lorsque vous essayez d'actionner des commandes gelées. Si vous avez de la difficulté à faire fonctionner des commandes ou des pièces, mettez la souffleuse en marche comme l'indique la section intitulée « **DÉMARRAGE ET ARRÊT DE LA SOUFFLEUSE À NEIGE** » et laissez-la tourner pendant quelques minutes.

ENTRETIEN

⚠ AVERTISSEMENT : Pour éviter des blessures graves, retirez toujours les blocs-piles avant de procéder à l'entretien ou au nettoyage de la souffleuse à neige.

⚠ AVERTISSEMENT : Lors de toute opération d'entretien, utilisez seulement des pièces de rechange identiques aux pièces d'origine. L'utilisation de toute autre pièce peut endommager la souffleuse ou être une source de danger. Pour en assurer la sûreté et la fiabilité, toute réparation doit être effectuée par un technicien qualifié.

AVIS : Inspectez périodiquement l'intégralité de la souffleuse pour y déceler des pièces endommagées, manquantes ou lâches telles que les vis, les écrous, les boulons, les capuchons, etc. Resserrez fermement toutes les fixations et tous les capuchons, et ne faites pas fonctionner la souffleuse tant que toutes les pièces manquantes ou endommagées n'ont pas été remplacées.

ENTRETIEN GÉNÉRAL

Évitez d'utiliser des solvants lorsque vous nettoyez des pièces en plastique. La plupart des plastiques peuvent être endommagés par divers types de solvants commerciaux. Utilisez des linges propres pour enlever les saletés, la poussière, l'huile, la graisse, etc.

⚠ AVERTISSEMENT : Ne laissez jamais du liquide de frein, de l'essence, des produits à base de pétrole, etc., entrer en contact avec les pièces en plastique. Les produits chimiques peuvent endommager, affaiblir ou détruire le plastique et entraîner ainsi des risques de blessures graves.

LUBRIFICATION DE LA MACHINE

Tous les roulements de ce produit sont lubrifiés avec une quantité suffisante de lubrifiant de haute qualité pour la durée de vie de la machine si elle est utilisée dans des conditions de fonctionnement normales. Par conséquent, aucune lubrification supplémentaire des roulements n'est nécessaire.

REPLACEMENT ET RÉGLAGE DES PATINS DE GLISSEMENT (Fig. 13)

Lorsque vous rencontrez des surfaces irrégulières ou des graviers, la hauteur des patins de glissement doit être ajustée pour augmenter la capacité de la souffleuse à neige à manœuvrer sur la neige.

Si les patins de glissement sont cassés ou si le réglage de la hauteur maximale n'est pas conforme aux exigences, remplacez les patins.

Outils nécessaires (non inclus) :

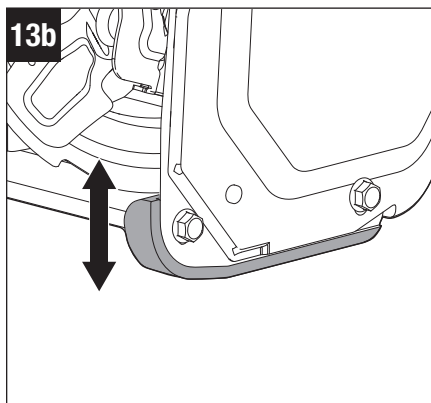
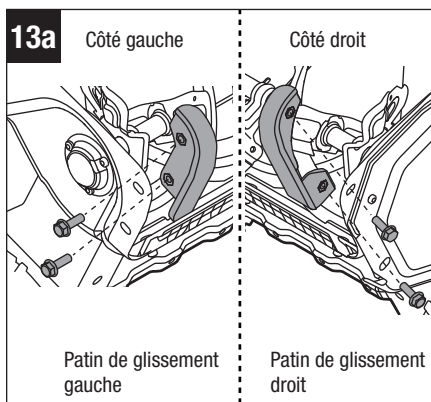
- une clé douille de 13 mm ou une clé réglable

Remplacement des patins de glissement (Fig. 13a)

1. Retirez le(s) bloc(s)-piles.
2. Desserrez et retirez les quatre boulons situés de part et d'autre du châssis.
3. Installez le nouveau patin de glissement gauche sur le côté gauche du châssis et le patin de glissement droit sur le côté droit du châssis.
4. Remontez les boulons et serrez-les fermement.

Réglage de la hauteur des patins de glissement (Fig. 13b)

La hauteur de chaque patin de glissement peut être réglée sans retirer les boulons. Il suffit de desserrer les boulons, d'ajuster la position des patins de glissement puis de resserrer les boulons.

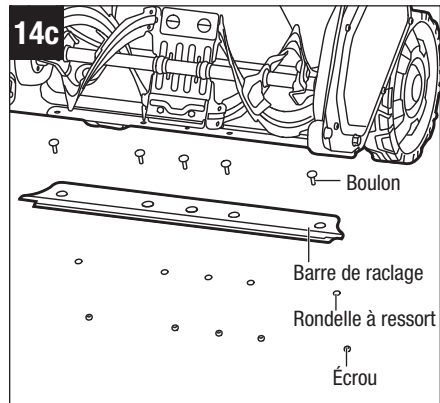
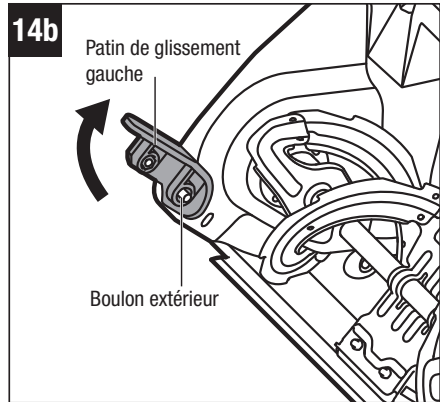
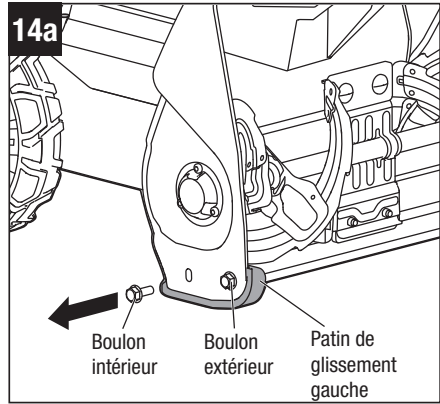


REPLACEMENT DE LA BARRE DE RACLAGE (Fig. 14)

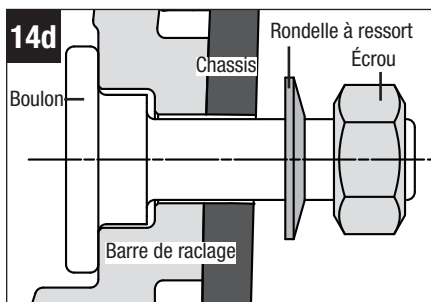
Outils nécessaires (non inclus) :

- une clé à douille de 8 mm ou une clé réglable
- une clé à douille de 13 mm ou une clé réglable

1. Retirez le(s) bloc(s)-piles.
2. Posez la souffleuse à neige sur le côté ou dans toute autre position pratique pour effectuer une opération de maintenance de la barre de raclage.
3. Portez des gants afin de réduire le risque de blessure. À l'aide de la clé de 13 mm, retirez le boulon du patin de glissement gauche et desserrez simplement le boulon extérieur du patin de glissement gauche (Fig. 14a & 14b).
4. À l'aide de la clé de 8 mm, desserrez et retirez les cinq écrous et rondelles situés sur la partie inférieure du châssis, ainsi que les cinq boulons situés à l'intérieur. Retirez la barre de raclage usée du châssis (Fig. 14c).
5. Fixez la nouvelle barre de raclage sur la souffleuse à neige, la surface brillante étant orientée vers l'intérieur du châssis. Alignez les trous de montage de la barre de raclage sur les trous du châssis en acier. Insérez les cinq boulons dans les trous de montage depuis la surface intérieure brillante de la barre de raclage.



6. Remontez les rondelles à ressort et les écrous sur les boulons (depuis l'extérieur du châssis) et fixez solidement la barre de raclage au châssis en utilisant la clé de 8 mm (Fig. 14d).



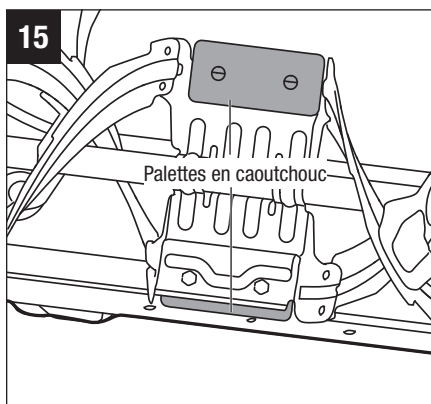
7. Remontez le boulon intérieur du patin de glissement gauche. Serrez fermement les boulons intérieurs et extérieurs à l'aide de la clé de 13 mm.

REPLACEMENT DES PALETTES EN CAOUTCHOUC (Fig. 15)

Si les palettes en caoutchouc sont usées, excessivement fissurées, effilochées ou autrement endommagées, remplacez-les.

Outils nécessaires (non inclus) :

- Tournevis à tête plate
- Clé à douille de 10 mm ou clé réglable



1. Retirez le(s) bloc(s)-piles.
2. Portez des gants. Faites tourner à la main la tarière en acier pour la mettre dans la position appropriée afin de faciliter l'accès aux palettes en caoutchouc.
3. Utilisez la clé de 10 mm et le tournevis pour retirer les deux ensembles de boulons et d'écrous de fixation de chaque palette en caoutchouc. Retirez ensuite les palettes en caoutchouc.
4. Remplacez-les par de nouvelles palettes en caoutchouc, et serrez-les à fond pour les sécuriser.

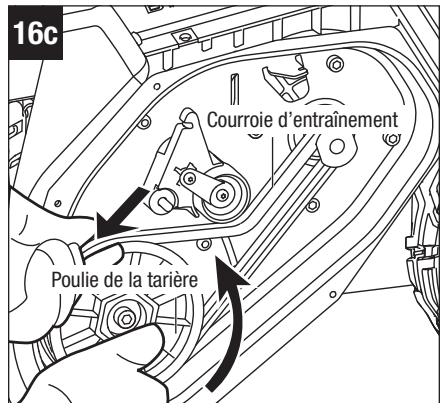
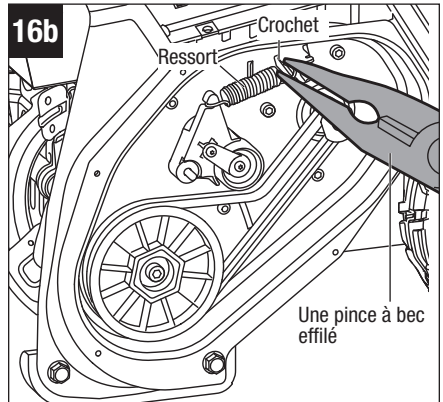
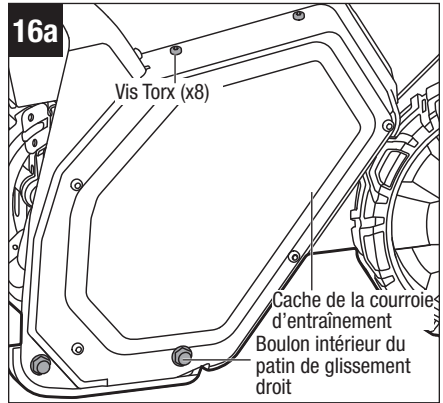
REPLACEMENT DE LA COURROIE D'ENTRAÎNEMENT (Fig. 16)

Si la courroie d'entraînement est usée, imbibée d'huile, excessivement fissurée, effilochée ou autrement endommagée, remplacez-la.

Outils nécessaires (non inclus) :

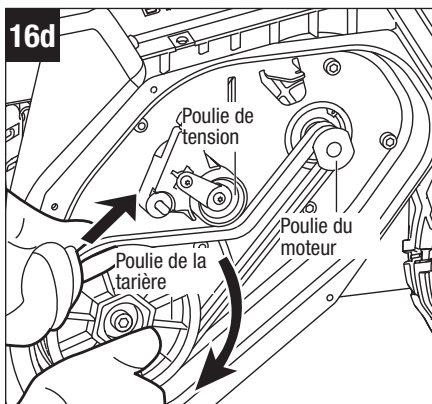
- une clé à douille de 13 mm ou une clé réglable
- un tournevis Torx T20
- une pince à bec effilé

1. Retirez le(s) bloc(s)-piles.
2. Utilisez le tournevis Torx pour desserrer et retirer les 8 vis Torx et la clé de 13 mm pour retirer le boulon intérieur du patin de glissement droit. Puis retirez le cache de la courroie d'entraînement (Fig. 16a).
3. À l'aide de la pince à bec effilé, retirez le ressort du crochet pour relâcher la tension de la courroie (Fig. 16b).
4. Retirez la courroie d'entraînement en tournant lentement la poulie de la tarière dans le sens inverse des aiguilles d'une montre, tout en tirant la courroie vers l'extérieur (Fig. 16c).



5. Installez la nouvelle courroie d'entraînement en la faisant tourner sur les poulies (Fig. 16d).

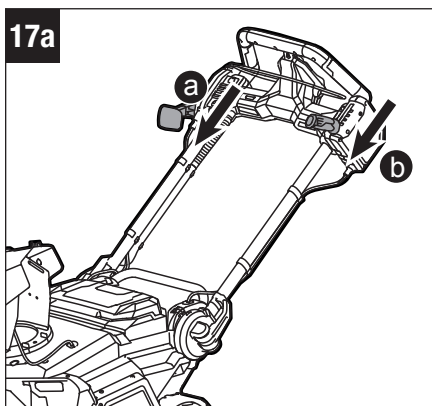
Suggestions : Faites tourner la nouvelle courroie d'entraînement d'abord autour de la poulie du moteur, puis de la poulie de tension, et enfin autour de la poulie de la tarière. Tournez lentement la poulie de la tarière dans le sens des aiguilles d'une montre pour entraîner la courroie vers l'intérieur.



6. Utilisez la pince à bec effilé pour installer le ressort sur le crochet afin de tendre la courroie d'entraînement.
7. Réinstallez le cache de la courroie d'entraînement et fixez-le en utilisant les 8 vis Torx et le boulon intérieur du patin de glissement droit.

REPLIEMENT DES RAILS LATÉRAUX (Fig. 17)

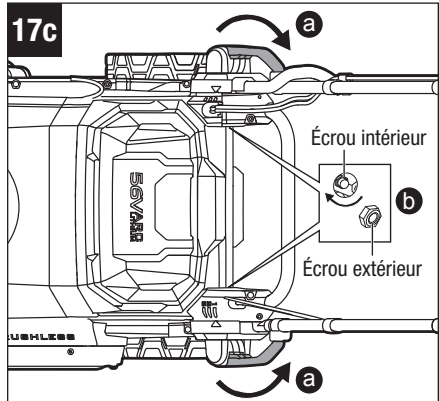
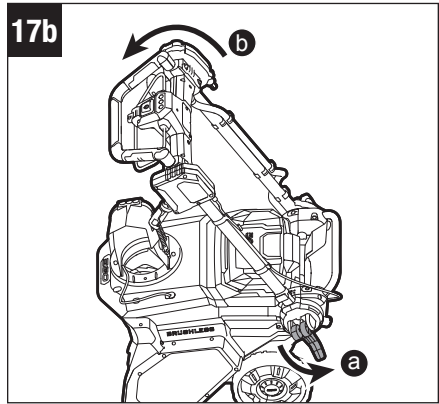
1. Retirez le(s) bloc(s)-piles.
2. Poussez la poignée de rotation de la goulotte de décharge à fond vers l'avant de façon à ce que la goulotte de décharge soit orientée vers la gauche, et déplacez la poignée du déflecteur de goulotte de décharge vers le bas, jusqu'au cran le plus bas (Fig. 17a). Ceci permet d'éviter toute interférence lors du repliement.



- Ouvrez les leviers à relâchement rapide des deux côtés pour replier les rails latéraux en position de rangement (Fig. 17b).

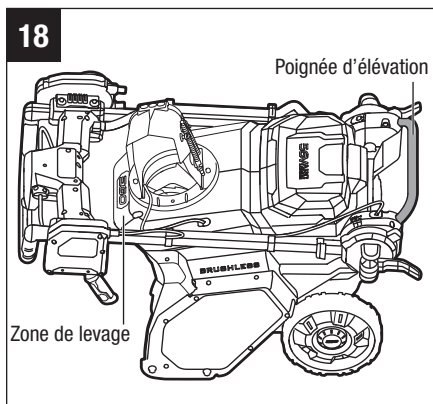
AVIS : Lorsque les rails latéraux dans une des positions de fonctionnement dépliées n'ont pas pu être complètement fixés par les leviers à relâchement rapide, il est possible que les écrous des leviers à relâchement rapide soient desserrés. Suivez les étapes ci-dessous pour serrer les écrous :

- Dépliez les rails latéraux dans l'une quelconque des trois positions de fonctionnement selon ce qui sera le plus commode.
- Fermez les leviers à relâchement rapide des deux côtés.
- Retirez les écrous extérieurs et serrez les écrous intérieurs des leviers à relâchement rapide des deux côtés avec une clé à douille de 13 mm (non fournie) comme illustré sur la Fig. 17c.



SOULÈVEMENT ET TRANSPORT DE LA SOUFFLEUSE À NEIGE (Fig. 18)

1. Retirez le(s) bloc(s)-piles.
2. Pliez les rails latéraux en position de rangement comme cela est décrit dans le chapitre précédent.
3. Soulevez et portez la souffleur en saisissant d'une main la poignée de levage et de l'autre main la zone de gauche située au-dessus de l'orifice d'admission de la neige (juste en dessous du logo EGO).



⚠ AVERTISSEMENT : La souffleur à neige est lourde ! Soulevez avec vos jambes – pas avec votre dos.

RANGEMENT LA SOUFFLEUSE À NEIGE

⚠ MISE EN GARDE : Assurez-vous que toute la neige fondue qui peut tomber de la souffleuse à neige est correctement essuyée pour éviter tout risque de glissade et de chute.

Retirez le(s) bloc(s)-piles et rangez-les dans un endroit sûr, hors de portée des enfants.

REMARQUE : Quand elles ne sont pas utilisées, les piles de 56 V doivent être rangées dans un endroit fermé où la température ne descendra pas au-dessous de -20° C / -4° F. Les températures de charge optimales sont entre 5° C et 40° C / 41° F et 104° F.

Avant de ranger la souffleuse, éliminez toute trace d'humidité, de saleté ou de débris du compartiment des piles et de ses environs.

- Essuyez la souffleuse à neige avec un chiffon propre et sec.
- Vérifiez le serrage de tous les écrous, boulons, boutons, vis, etc.
- Inspectez les pièces mobiles pour vérifier qu'elles ne sont pas endommagées, cassées ou usées. Faites réparer ou remplacer les pièces endommagées ou manquantes.
- Rabattez les rails latéraux en position de rangement.
- Rangez la souffleuse à neige dans un endroit propre, sec et fermé, hors de portée des enfants.
- Ne la rangez pas à côté de matériaux corrosifs tels que des engrais ou du sel gemme.

RECHERCHE DE LA CAUSE DES PROBLÈMES

⚠ AVERTISSEMENT : Retirez toujours le(s) bloc(s)-piles lorsque vous effectuez une opération d'entretien ou lorsque vous transportez la souffleuse à neige. Protégez toujours vos mains en portant des gants lorsque vous effectuez des travaux d'entretien sur la souffleuse à neige.

PROBLÈME	CAUSE	SOLUTION
La souffleuse à neige ne démarre pas.	<ul style="list-style-type: none"> ■ Le charge du ou des bloc(s)-piles est faible. ■ La tarière en acier est gelée par la neige ou la glace. ■ Le bloc-piles est en état de surchauffe. Le voyant à DEL du ou des blocs-piles clignote en orange ou brille en rouge (voir la section intitulée « PROTECTION CONTRE LES HAUTES TEMPÉRATURES DES PILES » de ce mode d'emploi). 	<ul style="list-style-type: none"> ■ Chargez le(s) bloc(s)-piles. ■ Retirez d'abord le(s) bloc(s)-piles, puis utilisez un outil de nettoyage pour dégager la neige ou la glace qui causent l'obstruction de la tarière. Réinstallez les blocs-piles et faites redémarrer la souffleuse à neige. ■ Réchauffez la souffleuse à neige à la température ambiante pendant environ 20 minutes, puis remettez-la en marche. ■ Retirez le(s) bloc(s)-piles surchauffé(s) de la souffleuse à neige et attendez que le(s) bloc(s)-piles refroidisse(nt) jusqu'à environ 67° C / 152° F. Réinstallez le(s) bloc(s)-piles et faites redémarrer la souffleuse à neige.

PROBLÈME	CAUSE	SOLUTION
La souffleuse à neige ne démarre pas.	<ul style="list-style-type: none"> ■ Des mesures incorrectes ont été prises pour mettre la souffleuse à neige sous tension. ■ Problème non identifié 	<ul style="list-style-type: none"> ■ (1) Appuyez sur le bouton de sécurité jusqu'à ce que le voyant d'indication d'état de charge clignote en vert. (2) Tout en maintenant le bouton enfoncé, tirez sur l'interrupteur à levier (vers le haut) pour entrer en contact avec la poignée principale. ■ Contactez un centre de service à la clientèle d'EGO si des réparations sont nécessaires.
Les rails latéraux ne restent pas en position.	<ul style="list-style-type: none"> ■ Les leviers à relâchement rapide ne sont pas sécurisés. ■ Les écrous des leviers à relâchement rapide sont desserrés. 	<ul style="list-style-type: none"> ■ Assurez-vous que les leviers à relâchement rapide sont complètement fermés. ■ Vérifiez et assurez-vous que les écrous des leviers à relâchement rapide sont bien serrés.
Le moteur est en marche, mais la vis sans fin de la tarière ne tourne pas.	<ul style="list-style-type: none"> ■ La courroie d'entraînement est usée ou cassée. 	<ul style="list-style-type: none"> ■ Remplacez la courroie d'entraînement en suivant les instructions de la section intitulée « REMPLACEMENT DE LA COURROIE D'ENTRAÎNEMENT » de ce mode d'emploi.
Après son passage, la souffleuse laisse une couche de neige sur le sol.	<ul style="list-style-type: none"> ■ La barre de raclage est usée. 	<ul style="list-style-type: none"> ■ Remplacez la barre de raclage suivant les instructions de la section intitulée « REMPLACEMENT DE LA BARRE DE RACLAGE » de ce mode d'emploi.

PROBLÈME	CAUSE	SOLUTION
La souffleuse projette moins de neige.	<ul style="list-style-type: none">■ Les palettes en caoutchouc sont usées.■ La vitesse de la tarière est peut-être trop faible.	<ul style="list-style-type: none">■ Remplacez les palettes en caoutchouc en suivant les instructions de la section intitulée « REPLACEMENT DES PALETTES EN CAOUTCHOUC » de ce mode d'emploi.■ Augmentez la vitesse de la tarière.
La zone de préhension n'est pas chauffée.	<ul style="list-style-type: none">■ La fonction de chauffage s'éteint automatiquement lorsque la souffleuse à neige est inactive pendant 10 minutes.	<ul style="list-style-type: none">■ Appuyez sur l'interrupteur de chauffage de la poignée pour relancer le chauffage.

GARANTIE LIMITÉE D'EGO

CONDITIONS ET DURÉE DE LA POLITIQUE DE GARANTIE

Chervon North America, Inc. (« Chervon North America ») accorde la Garantie limitée suivante pour les produits EGO à l'acheteur initial de produits EGO.

La période de garantie détaillée de chaque produit EGO est indiquée en ligne à l'adresse <http://egopowerplus.com/warranty-policy>.

Veillez contacter le Service à la clientèle d'EGO en téléphonant au 1-855-EGO-5656 (appel gratuit) à tout moment en cas de questions, si vous voulez vous prévaloir de la garantie ou si vous souhaitez obtenir une version sur papier de la garantie.

GARANTIE LIMITÉE DE SERVICE APRÈS-VENTE

Les produits EGO sont garantis contre tout défaut de matériel ou de fabrication à partir de la date d'achat au détail originale et pendant la période de garantie applicable. Pour toute demande de garantie soumise correctement et dans les délais, si Chervon North America détermine qu'un produit est défectueux pendant la période de garantie, le produit sera réparé ou remplacé gratuitement, selon ce qui aura été déterminé par Chervon North America.

COMMENT OBTENIR DE L'ASSISTANCE DANS LE CADRE DU SERVICE APRÈS-VENTE

Pour obtenir de l'assistance dans le cadre de la garantie (pendant la période de garantie applicable), veuillez contacter le service à la clientèle d'EGO en téléphonant au **1-855-EGO-5656** (appel gratuit). Lorsque vous demandez de l'assistance dans le cadre de la garantie, vous devez présenter le reçu de vente original daté. Un centre de service après-vente agréé sera sélectionné pour évaluer et réparer le produit défectueux conformément aux conditions de garantie énoncées. Lorsque vous apportez votre produit au centre de service après-vente agréé, il se peut qu'une petite caution vous soit demandée lors du dépôt de votre outil. Cette caution est remboursable lorsque le service de réparation est considéré comme étant couvert par la garantie. Il incombe à l'acheteur d'effectuer le transport de tous les équipements électriques d'extérieur ou attachements à ses frais.

LIMITATIONS ET EXCLUSIONS SUPPLÉMENTAIRES

Cette garantie limitée ne s'applique qu'à l'acheteur initial d'un produit à un revendeur agréé EGO, et elle ne peut pas être cédée. Les produits EGO ne sont pas considérés comme défectueux et la présente garantie ne s'applique pas lorsque le défaut invoqué est imputable à une cause autre que les défauts définis ci-dessus. Cette garantie est nulle et non avenue si le produit a été utilisé à des fins de location. La présente garantie ne s'applique pas aux dommages causés par un accident, un abus, une mauvaise utilisation, une altération, une modification, une réparation non autorisée, un contact avec un liquide, un incendie, un tremblement de terre ou toute autre cause externe ; par une utilisation du produit en dehors des instructions, spécifications ou directives d'EGO ; ou par un manquement à l'entretien ou à la maintenance convenable du produit. Cette garantie ne s'applique pas non plus aux dommages esthétiques, y compris, mais sans s'y limiter, les rayures ou les bosses, ainsi qu'aux défauts causés par l'usure normale ou autrement dus au vieillissement normal du produit.

CETTE GARANTIE EXPRESSE EST DONNÉE EN LIEU ET PLACE DE TOUTE AUTRE GARANTIE, EXPRESSE OU IMPLICITE, Y COMPRIS, MAIS SANS S'Y LIMITER, TOUTE GARANTIE DE QUALITÉ MARCHANDE OU D'ADÉQUATION À UN USAGE PARTICULIER, QUI EST REJETÉE. Toute garantie implicite, y compris la garantie de qualité marchande ou d'adéquation à un usage particulier qui ne peut être rejetée en vertu de la loi de l'État ou de la province est limitée à la période de garantie applicable définie au début de cet article. Le seul et unique recours en rapport avec l'achat, l'installation, l'utilisation et/ou la performance des produits EGO est la réparation ou le remplacement du produit selon la décision de Chervon North America. La responsabilité maximale de Chervon North America ne dépassera en aucun cas le prix d'achat payé pour le produit. CHERVON NORTH AMERICA NE SERA PAS RESPONSABLE ENVERS L'UTILISATEUR OU TOUTE AUTRE PERSONNE DES DOMMAGES CONSÉCUTIFS, ACCIDENTELS, SPÉCIAUX, EXEMPLAIRES, INDIRECTS OU PUNITIFS RÉSULTANT DE L'UTILISATION DES PRODUITS, Y COMPRIS, MAIS SANS S'Y LIMITER, LES PRÉJUDICES CORPORELS, LA MORT, LES DOMMAGES MATÉRIELS, LA PERTE DE BÉNÉFICES OU TOUT AUTRE DOMMAGE ÉCONOMIQUE. Cette garantie vous confère des garanties juridiques particulières, et vous pouvez aussi avoir d'autres droits, qui varient selon l'État ou la province. Étant donné que certains États et certaines provinces ne permettent pas de limitations quant à la durée d'une garantie implicite ou ne permettent pas l'exclusion ou la limitation des dommages indirects ou secondaires, ou le délai de prescription pour intenter certaines actions, il est possible que les limitations contenues aux présentes ne s'appliquent pas à consommateurs dans ces États ou provinces.

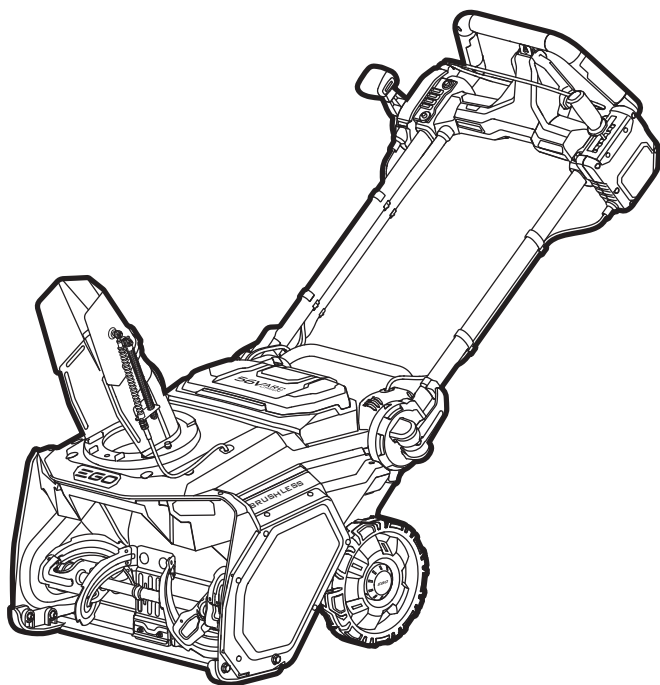


Cette garantie est soumise au droit du Michigan et doit être interprétée conformément au droit du Michigan sans tenir compte des principes de conflits de lois. Aucune action en justice ne pourra être intentée contre Chervon North America si elle n'est pas déposée dans un délai d'un (1) an après que le fondement de cette action en justice aura été connu, ou qu'il aurait dû l'être si une diligence raisonnable avait été exercée. Toute action non intentée dans les délais est réputée abandonnée.

Pour le service à la clientèle, contactez-nous en téléphonant au numéro suivant (appel gratuit) : **1-855-EGO-5656** ou **EGOPOWERPLUS.COM**.
EGO Customer Service,
769 Seward Ave. NW, Suite 102,
Grand Rapids, Michigan 49504.

EGO™

POWER⁺ SNOW BLOWER™



MANUAL DE FUNCIONAMIENTO
**SOPLADOR DE NIEVE
INALÁMBRICO DE ION
LITIO DE 56 V**
NÚMERO DE MODELO SNT2130/SNT2130-FC

⚠ ADVERTENCIA: Para reducir el riesgo de lesiones, el usuario debe leer y comprender el Manual del propietario antes de usar este producto. Guarde estas instrucciones para referencia futura.

¡LEA TODAS LAS INSTRUCCIONES!



LEA Y ENTIENDA EL
MANUAL DEL OPERADOR

ÍNDICE

Símbolos de seguridad	99
Instrucciones de seguridad	100-101
Prácticas de utilización segura para el soplador de nieve de empuje	101-107
Introducción	107
Especificaciones	108
Accesorios	108
Descripción	109-112
Ensamblaje	113-116
Funcionamiento	117-130
Mantenimiento	131-139
Solución de problemas	140-142
Garantía limitada de EGO	143-145

SÍMBOLOS DE SEGURIDAD

El propósito de los símbolos de seguridad es alertarlo sobre posibles peligros. Los símbolos de seguridad y sus explicaciones merecen una atención y comprensión minuciosas. Las advertencias de los símbolos, por sí mismas, no eliminan los peligros. Las instrucciones y las advertencias no sustituyen las medidas de prevención de accidentes que correspondan.

⚠ ADVERTENCIA: Antes de utilizar esta herramienta, asegúrese de leer y comprender todas las instrucciones de seguridad en este Manual del propietario, incluidos todos los símbolos de alerta de seguridad como “**PELIGRO**”, “**ADVERTENCIA**” y “**PRECAUCIÓN**”. No seguir todas las instrucciones que se indican a continuación podría resultar en descargas eléctricas, incendios y/o lesiones personales graves.

Las definiciones que aparecen a continuación describen el nivel de gravedad de cada palabra de aviso. Por favor, lea el manual y preste atención a estos símbolos.	
	Este es el símbolo de alerta de seguridad. Se utiliza para alertarle a usted de posibles peligros de lesiones corporales. Obedezca todos los mensajes de seguridad que sigan a este símbolo para evitar posibles lesiones o la muerte.
⚠ PELIGRO	PELIGRO indica una situación peligrosa que, si no se evita, causará la muerte o lesiones graves.
⚠ ADVERTENCIA	ADVERTENCIA indica una situación peligrosa que, si no se evita, podría causar la muerte o lesiones graves.
⚠ PRECAUCIÓN	PRECAUCIÓN, utilizada con el símbolo de alerta de seguridad, indica una situación peligrosa que, si no se evita, podría causar lesiones leves o moderadas.

MENSAJES DE PREVENCIÓN DE DAÑOS E INFORMACIÓN

Estos mensajes ofrecen al usuario información y/o instrucciones importantes que, de no seguirse, podrían causar daños al equipo u otros daños materiales. Antes de cada mensaje, aparece la palabra “**AVISO**”, como en el ejemplo a continuación:

AVISO: Si no se siguen estas instrucciones se pueden producir daños al equipo y/o daños materiales.

SÍMBOLOS

Esta página muestra y describe los símbolos de seguridad que pueden aparecer en este producto. Lea, comprenda y siga todas las instrucciones de la máquina antes de ensamblarla y utilizarla.

	Alerta de seguridad	Precauciones que involucran su seguridad.
	Lisez le mode d'emploi, et assurez-vous que vous le comprenez.	Para reducir el riesgo de lesiones, el usuario debe leer y comprender el Manual del operador antes de utilizar este producto.
	PELIGRO: mantenga las manos alejadas del impulsor	No utilice las manos para desobstruir el conducto de descarga.
	Mantenga los pies fuera del impulsor	Mantenga los pies alejados del impulsor rotatorio
	PELIGRO: mantenga las manos y los pies alejados	Para reducir el riesgo de lesiones, mantenga las manos y los pies alejados de las piezas que rotan. No utilice la unidad a menos que el conducto de descarga este en la posición correcta. Si dicho conducto está dañado, reemplácelo de inmediato.
	Peligro de ingestión	Este producto contiene una batería tipo botón o tipo moneda.
	Símbolos de reciclaje	Este producto utiliza baterías de iones de litio. Las leyes locales, estatales o federales podrían prohibir la eliminación de baterías en basureros comunes. Consulte con la autoridad reguladora de desechos local para obtener información sobre las opciones de reciclaje o eliminación disponibles.

IP...	Grado de protección contra la penetración	Clasifica el grado de protección proporcionada por un recinto cerrado para equipos eléctricos.
V	Voltio	Tensión
≡	Corriente continua	Tipo o característica de la corriente
mm	Milímetro	Largo o tamaño
in.	Pulgada	Largo o tamaño
m	Metro	Largo o tamaño
ft	pies	Largo o tamaño
kg	Kilogramos	Peso
lbs	Libras	Peso
°F	Grados Fahrenheit	Temperatura
°C	Grados Celsius	Temperatura

⚠ ADVERTENCIA: Para garantizar la seguridad y la confiabilidad, todas las reparaciones deberán ser realizadas por un técnico de servicio calificado.

PRÁCTICAS DE UTILIZACIÓN SEGURA PARA EL SOPLADOR DE NIEVE DE EMPUJE

⚠ PELIGRO: Este soplador de nieve es capaz de amputar las manos y los pies y lanzar objetos al aire. Si no se siguen las siguientes instrucciones de seguridad, el resultado podría ser lesiones graves.

LEA TODAS LAS INSTRUCCIONES

⚠ ADVERTENCIA: Cuando se utilicen aparatos eléctricos de jardinería, se deberán seguir siempre precauciones básicas de seguridad para reducir el riesgo de incendio, descargas eléctricas o lesiones a las personas, incluyendo las siguientes:

PARA TODOS LOS SOPLADORES DE NIEVE

- No utilice el soplador de nieve en una superficie con grava, a menos que el soplador de nieve esté ajustado para una superficie de ese tipo de acuerdo con el manual del operador.

- Mantenga alejados a los niños: todos los visitantes se deberán mantener a una distancia segura del área de trabajo.
- Vístase adecuadamente: no use ropa holgada ni joyas. Pueden quedar atrapadas en las piezas móviles.
- Use botas de goma cuando utilice el soplador de nieve.
- La utilización del soplador de nieve en la posición de agarre con las manos es insegura, excepto de acuerdo con las instrucciones especiales para dicho uso proporcionadas en el manual del operador.
- Mantenga las manos alejadas de las piezas móviles.
- Mantenga los protectores instalados en la posición correcta y en buenas condiciones de funcionamiento.
- No fuerce el soplador de nieve: brindará un rendimiento mejor y más seguro a la velocidad para la que fue diseñada.
- No intente alcanzar demasiado lejos: mantenga un apoyo de los pies y un equilibrio adecuados en todo momento.
- Si el soplador de nieve golpea un objeto extraño, siga estos pasos:
 - 1) Pare el soplador de nieve. Suelte el interruptor.
 - 2) Retire el paquete o los paquetes de batería.
 - 3) Inspeccione la unidad para comprobar si tiene algún daño.
 - 4) Repare cualquier daño antes de rearrancar y utilizar el soplador de nieve.
- Almacene los sopladores de nieve inactivos en un lugar interior: cuando no se estén utilizando, los sopladores de nieve se deberán almacenar en un lugar interior, seco y cerrado con llave, fuera del alcance de los niños.
- Realice mantenimiento de los sopladores de nieve con cuidado: siguiendo las instrucciones de lubricación y cambio de accesorios.

CAPACITACIÓN

- Lea, entienda y siga todas las instrucciones ubicadas en la máquina y contenidas en el manual (o los manuales) antes de utilizar esta unidad. Esté bien familiarizado con los controles y el uso correcto del equipo. Sepa cómo parar la unidad y desacoplar los controles rápidamente.
- No deje nunca que los niños utilicen el equipo. No deje nunca que los adultos utilicen el equipo sin haber recibido capacitación adecuada.

- Mantenga el área de utilización despejada de todas las personas, en particular de niños pequeños.
- Tenga precaución para evitar resbalar o caerse, especialmente cuando utilice el soplador de nieve en reversa.

PREPARACIÓN

- Inspeccione minuciosamente el área en la que se vaya a utilizar el quipo y retire todos los tapetes de entrada, trineos, tablas, cables y otros objetos extraños.
- No utilice el soplador de nieve sin tener puestas prendas de invierno adecuadas. Evite la ropa holgada que puede quedar atrapada en las piezas móviles. Use calzado que mejore el apoyo de los pies en superficies resbalosas.
- No intente nunca hacer ajustes mientras el motor esté en funcionamiento (excepto cuando esté recomendado específicamente por el fabricante).
- Use siempre anteojos de seguridad o escudos oculares durante la utilización del soplador de nieve o mientras realice un ajuste o una reparación, para proteger los ojos contra los objetos extraños que puedan ser lanzados al aire por el soplador de nieve.

UTILIZACIÓN

- Prevenga los arranques accidentales. Asegúrese de que el interruptor esté en la posición de apagado antes de realizar la conexión al paquete de batería, levantar el soplador de nieve o transportarlo. Transportar el soplador de nieve con el dedo en el interruptor o suministrar corriente al soplador de nieve cuando tenga el interruptor en la posición de encendido invita a que se produzcan accidentes.
- No ponga las manos ni los pies cerca o debajo de las piezas rotatorias. Manténgase alejado de la abertura del descargador en todo momento.
- Tenga suma precaución cuando utilice la unidad sobre o cruzando entradas de garaje, caminos o carreteras de grava. Permanezca alerta a los obstáculos ocultos o al tráfico.
- Después de golpear un objeto extraño, pare el motor, retire el paquete (los paquetes) de batería, inspeccione minuciosamente el soplador de nieve para determinar si tiene daños y repare los daños antes de rearmar y utilizar el soplador de nieve.
- Si el soplador de nieve comienza a vibrar anormalmente, pare el motor y realice una comprobación inmediata para localizar la causa. Generalmente, la vibración es una advertencia de problemas.

- Pare el motor siempre que deje la posición de utilización, antes de desobstruir la carcasa del ensamblaje de la barrena o el conducto de descarga y cuando realice cualquier reparación, ajuste o inspección.
- Cuando despeje, repare o inspeccione el soplador de nieve, pare el motor y asegúrese de que el ensamblaje de la barrena y todas las piezas móviles se hayan detenido. Retire el paquete (los paquetes) de batería para impedir que alguien arranque accidentalmente el motor.
- Tenga suma precaución cuando utilice la unidad en pendientes.
- No utilice nunca el soplador de nieve sin los protectores adecuados y otros dispositivos protectores de seguridad instalados en la posición adecuada y funcionando correctamente.
- No dirija nunca la descarga hacia personas o áreas donde se puedan producir daños materiales. Mantenga alejados a los niños y a otras personas.
- No sobrecargue la capacidad del soplador de nieve intentando despejar la nieve a un ritmo demasiado rápido.
- Desactive la alimentación eléctrica al ensamblaje de la barrena cuando el soplador de nieve esté siendo transportado o no esté siendo utilizado.
- Utilice solo aditamentos y accesorios aprobados por el fabricante del soplador de nieve.
- No utilice nunca el soplador de nieve sin buena visibilidad o luz. Esté siempre seguro del apoyo de los pies y mantenga un agarre firme en las agarraderas. Camine; no corra nunca.
- No exponga un paquete de batería o un soplador de nieve a un fuego o a una temperatura excesiva. Es posible que la exposición a un fuego o a una temperatura superior a 265 °F (130 °C) cause una explosión.
- Desconecte el paquete de batería del aparato eléctrico antes de hacer cualquier ajuste, cambiar accesorios o almacenar el aparato eléctrico. Dichas medidas preventivas de seguridad reducen el riesgo de arrancar accidentalmente el aparato eléctrico.
- Recargue las baterías solo con el cargador especificado por el fabricante. Es posible que un cargador que sea adecuado para un tipo de paquete de batería cree un riesgo de incendio cuando se utilice con otro paquete de batería.
- Utilice el soplador de nieve solo con paquetes de batería designados específicamente. Es posible que el uso de cualquier otro paquete de batería cree un riesgo de lesiones e incendio.

- Cuando el paquete de batería no se esté utilizando, manténgalo alejado de otros objetos metálicos, tales como clips sujetapapeles, monedas, llaves, clavos, tornillos u otros objetos metálicos pequeños, que puedan hacer una conexión de un terminal al otro. Si se cortocircuitan juntos los terminales de la batería, es posible que se causen quemaduras o un incendio.
- En condiciones abusivas es posible que se expulse líquido de la batería; evite el contacto. Si se produce contacto accidentalmente, enjuáguese con agua. Si el líquido entra en contacto con los ojos, obtenga además ayuda médica. Es posible que el líquido expulsado de la batería cause irritación o quemaduras.
- No utilice un paquete de batería o un aparato eléctrico que estén dañados o modificados. Es posible que las baterías dañadas o modificadas exhiban un comportamiento imprevisible que cause incendio, explosión o riesgo de lesiones.
- Siga todas las instrucciones de carga y no cargue el paquete de batería ni el aparato eléctrico fuera del intervalo de temperatura especificado en las instrucciones. Es posible que la realización de la carga de manera inadecuada o a temperaturas que estén fuera del intervalo especificado dañe la batería y aumente el riesgo de incendio.
- Haga que el servicio de ajustes y reparaciones sea realizado por un técnico de reparaciones calificado que utilice únicamente piezas de repuesto idénticas. Esto garantizará que se mantenga la seguridad de la herramienta eléctrica.
- No modifique ni intente reparar el soplador de nieve o el paquete de batería (según sea aplicable), excepto tal y como se indique en las instrucciones de uso y cuidado.
- **Utilice la unidad solo con los paquetes de batería y los cargadores que se indican en la lista que aparece a continuación:**

PAQUETE DE BATERÍA	CARGADOR
BA1400, BA1400-FC, BA2800, BA2800-FC, BA4200, BA4200-FC, BA1400T, BA1400T-FC, BA2242T, BA2242T-FC, BA2800T, BA2800T-FC, BA3360T, BA3360T-FC, BA4200T, BA4200T-FC, BA4480T, BA4480T-FC, BA5600T, BA5600T-FC, BA6720T, BA6720T-FC	CH2100, CH2100-FC, CH3200, CH3200-FC, CH5500, CH5500-FC, CH2800D, CH2800D-FC, CH7000, CH7000-FC

AVISO: Para lograr el mejor rendimiento y un tiempo de funcionamiento máximo, se recomienda utilizar dos paquetes de batería de 5,0 Ah o más Ah.

DESPEJE DE UN CONDUCTO DE DESCARGA OBSTRUIDO

El contacto de la mano con el ensamblaje de la barrena que rota dentro del conducto de descarga es la causa más común de lesiones asociadas con los sopladores de nieve. No use nunca la mano para limpiar el conducto de descarga.

Para despejar el conducto de descarga:

- **¡APAGUE EL MOTOR!**
- Retire el paquete (los paquetes) de batería del soplador de nieve.
- Espere 10 segundos para asegurarse de que la barrena ha dejado de rotar.
- Utilice siempre una herramienta de limpieza, no las manos.

MANTENIMIENTO Y ALMACENAMIENTO

- Compruebe el apriete de todos los pernos o sujetadores a intervalos frecuentes, para asegurarse de que el equipo esté en condiciones de funcionamiento seguras.
- Consulte siempre el manual del operador para obtener detalles importantes si el soplador de nieve se va a almacenar por un período de tiempo prolongado.
- Mantenga o reemplace las etiquetas de seguridad y de instrucciones, según sea necesario.
- Tenga en funcionamiento el soplador de nieve durante unos minutos después de soplar nieve para prevenir la congelación del ensamblaje de la barrena.

BATERÍA TIPO MONEDA

- Este producto contiene baterías no reemplazables.
- Retire y recicle o deseche inmediatamente las baterías usadas, de acuerdo con los reglamentos locales, y manténgalas fuera del alcance de los niños. NO deseche las baterías en la basura doméstica ni las incinere.
- Es posible que incluso las baterías usadas causen lesiones graves o la muerte.
- Llame a un centro local de control de envenenamientos para obtener información de tratamiento.
- El tipo de batería tipo moneda: CR2032HT
- Tensión nominal de la batería tipo moneda: 3 V

- Las baterías no recargables no se deben recargar.
- No descargue ni recargue forzosamente, desarme, caliente (por encima de la temperatura nominal especificada por el fabricante) ni incinere las baterías. Si hace alguna de estas cosas, es posible que el resultado sea lesiones debido a venteo, fuga o explosión que causen quemaduras químicas.

⚠ ADVERTENCIA

- **PELIGRO DE INGESTIÓN:** Este producto contiene una batería tipo botón o tipo moneda.
- Si se ingiere, el resultado puede ser la **MUERTE** o lesiones graves.
- Si se traga, una batería tipo botón o tipo moneda puede causar **quemaduras químicas internas** en tan poco tiempo como **2 horas**.
- **MANTENGA** las baterías nuevas y usadas **FUERA DEL ALCANCE DE LOS NIÑOS**.
- **Obtenga atención médica inmediata** si se sospecha que una batería se ha tragado o se ha insertado dentro de cualquier parte del cuerpo.



¡GUARDE ESTAS INSTRUCCIONES! Consúltelas frecuentemente y úselas para instruir a otras personas que puedan utilizar este aparato eléctrico. Si le presta este aparato eléctrico a otra persona, préstele también estas instrucciones para evitar un uso incorrecto del producto y posibles lesiones.

INTRODUCCIÓN


Felicitaciones por su selección del nuevo soplador de nieve alimentado por ion litio de 56 V. Este soplador ha sido diseñado, concebido y fabricado para ofrecerle a usted la mejor confiabilidad y el mejor rendimiento posibles.

En caso de que tenga algún problema que no pueda resolver fácilmente, sírvase contactar a servicio al cliente de EGO llamando al 1-855-EGO-5656.

Este manual contiene información importante para el ensamble, el funcionamiento y el mantenimiento seguro de su producto. Léalo detenidamente antes de usar el producto. Mantenga este manual a mano para poder consultarlo en cualquier momento.

NÚMERO DE SERIE _____	FECHA DE COMPRA _____
<p>ANOTE EL NÚMERO DE SERIE Y LA FECHA DE COMPRA Y GUARDE ESTOS DATOS EN UN LUGAR SEGURO PARA CONSULTARLOS EN CASO DE QUE SEA NECESARIO. CONSERVE EL RECIBO DE VENTA.</p>	

ESPECIFICACIONES

Tensión	56V 
Anchura de despeje	21 pulgadas (530 mm)
Altura de la entrada	13 pulgadas (330 mm)
Distancia de lanzamiento	Hasta 45 pies (14 m)
Tamaño de las ruedas	9 pulgadas (230 mm)
Grado de protección contra la penetración	IPX4* (protección contra las salpicaduras de agua)
Temperatura de funcionamiento recomendada	-4 – 50 °F (-20 – 10 °C)
Temperatura de almacenamiento recomendada	-4 – 158 °F (-20 – 70 °C)
Peso (sin paquete de batería)	66 lbs. (30 kg)

* **NOTA:** La clasificación IPX4 es válida cuando el compartimento de la batería está cerrado correctamente.

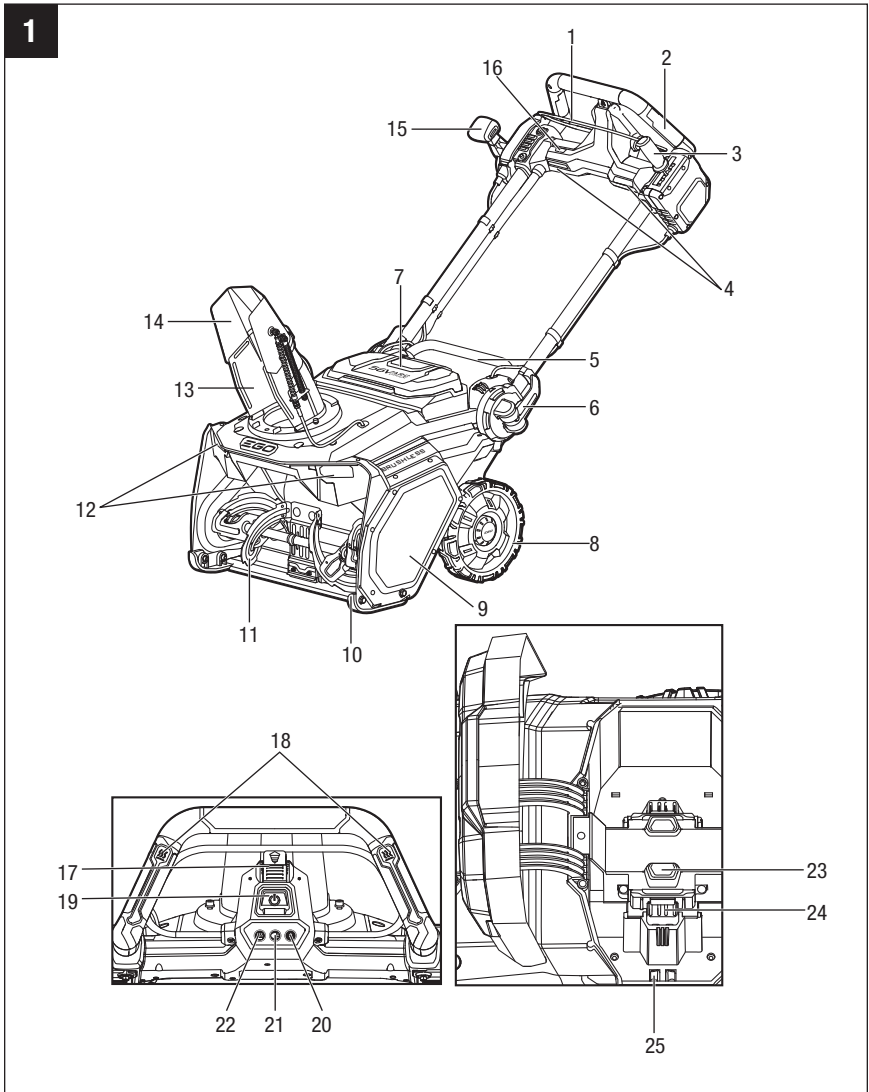
ACCESORIOS

⚠ ADVERTENCIA: Utilice solo los accesorios que se indican a continuación. Es posible que el uso de accesorios que no cumplan con las especificaciones del equipo original cause un rendimiento incorrecto y ponga en peligro la seguridad

NOMBRE DE LA PIEZA	NÚMERO DE MODELO
Zapatas deslizantes (par)	AKS2130D
Barra rascadora	ASS2130
Cubierta	CB002

DESCRIPCIÓN

CONOZCA SU SOPLADOR DE NIEVE (Fig. 1)



1	Interruptor tipo agarradera (palanca del interruptor)	14	Deflector del conducto de descarga
2	Agarradera principal	15	Mango de rotación del conducto de descarga
3	Mango del deflector del conducto de descarga	16	Indicador de alimentación eléctrica
4	Luces delanteras de la agarradera	17	Dial de velocidad de la barrena
5	Agarradera de elevación	18	Agarre calefactado
6	Palanca de liberación rápida (x2)	19	Botón de seguridad
7	Cubierta del compartimiento de la batería	20	Botón de IdC
8	Rueda (x2)	21	Botón de las luces delanteras
9	Cubierta de la correa de transmisión	22	Botón de encendido y apagado de calentamiento
10	Zapata deslizante (x2)	23	Botón de liberación de la batería
11	Ensamblaje de la barrena	24	Contactos eléctricos
12	Luces delanteras de la plataforma	25	Mecanismo de eyección
13	Conducto de descarga		

⚠ ADVERTENCIA: El uso seguro de este producto requiere entender la información que se encuentra en el producto y en este manual de instrucciones, así como tener conocimiento del proyecto que se esté intentando realizar. Antes de utilizar este producto, familiarícese con todas las funciones operativas y reglas de seguridad.

Botón de seguridad (encendido/apagado)

El botón de seguridad se debe presionar hacia abajo antes de que se pueda encender el motor de la barrena.

Interruptor tipo agarradera

El interruptor tipo agarradera está ubicado en la agarradera superior del soplador de nieve. El interruptor enciende y apaga el motor de la barrena.

⚠ ADVERTENCIA: El interruptor tipo agarradera y el botón de seguridad son dispositivos de seguridad. No intente nunca anular su funcionamiento.

Indicador de alimentación eléctrica

Indica el estado del soplador de nieve y el paquete de batería.

Dial de velocidad de la barrena

Ajusta la velocidad de la barrena que determina la distancia de lanzamiento.

Mango de rotación del conducto de descarga

Rota el conducto de descarga para que el usuario pueda dirigir la nieve descargada según se desee. El mango permite que el conducto de descarga rote desde 100° hacia la izquierda hasta 100° hacia la derecha.

Mango del deflector del conducto de descarga

Ajusta el ángulo del deflector del conducto de descarga que determina la altura del chorro de descarga y, en parte, la distancia de lanzamiento.

Agarre calefactado

El área de agarre se puede calentar presionando el botón de encendido y apagado de calentamiento, para proporcionar calor a las manos del operador.

Botón de encendido y apagado de calentamiento

ENCIENDE y APAGA la función de calentamiento de la agarradera.

Luces delanteras de la plataforma y de la agarradera

Estas luces LED proporcionan una luz brillante para aumentar la visibilidad.

Botón de las luces delanteras

ENCIENDE y APAGA las luces delanteras de la plataforma y de la agarradera.

Botón de IdC (Internet de las Cosas)

Conecta el soplador de nieve a la app EGO Connect.

Barra rascadora

Retira la última porción de nieve de la superficie que se esté limpiando.

Zapatas deslizantes

Aumentan la capacidad para maniobrar el soplador de nieve sobre la nieve y ajusta la distancia entre el rascador de nieve y el suelo.

Palanca de liberación rápida

Bloquea/desbloquea los rieles laterales para las posiciones de trabajo o almacenamiento.

Botón de liberación de la batería

Presione el botón para liberar rápidamente la batería.

PEAK POWER™

Esta tecnología combina la energía de hasta dos baterías EGO ARC Lithium™ de 56 V para producir un tiempo de funcionamiento más prolongado y un consumo eficiente de energía.

ENSAMBLAJE

⚠ ADVERTENCIA: Si hay piezas dañadas o faltan piezas, no utilice el producto hasta que las reemplace. Usar este producto con piezas dañadas o faltantes podría provocar lesiones personales graves.

⚠ ADVERTENCIA: No intente modificar este producto ni crear accesorios no recomendados para utilizarse con este soplador. Cualquiera de dichas alteraciones o modificaciones constituye un uso incorrecto y podría provocar una situación peligrosa que cause posibles lesiones corporales graves.

⚠ ADVERTENCIA: Para prevenir arranques accidentales que podrían causar lesiones corporales graves, retire siempre el paquete o los paquetes de batería de la herramienta cuando vaya a ensamblar piezas.

DESEMPAQUE

Este producto requiere ensamblaje.

- Agarre la agarradera trasera y la parte delantera del producto al mismo tiempo para levantarlo cuidadosamente y sacarlo de la caja de cartón. Saque todos los demás accesorios de la caja de cartón. Asegúrese de que todo los artículos indicados en la "**LISTA DE EMPAQUETAMIENTO**" estén incluidos.

⚠ ADVERTENCIA: No utilice este producto si cualquiera de las piezas incluidas en la "**LISTA DE EMPAQUETAMIENTO**" ya está ensamblada en el mismo cuando lo desempaque. Las piezas incluidas en esta lista no son ensambladas en el producto por el fabricante y requieren instalación por el cliente. El uso de un producto que pueda haber sido ensamblado incorrectamente puede tener como resultado lesiones corporales graves.

- Inspeccione minuciosamente el producto para asegurarse que no se hayan producido roturas o daños durante el envío.
- No deseche el material de empaquetamiento hasta que haya inspeccionado minuciosamente y utilizado satisfactoriamente el producto.
- Si cualquier pieza está dañada o falta, sírvase devolver el producto al lugar de compra.

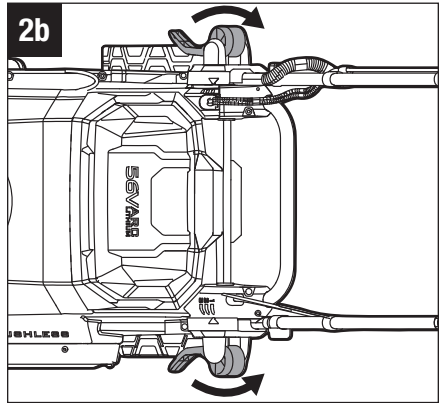
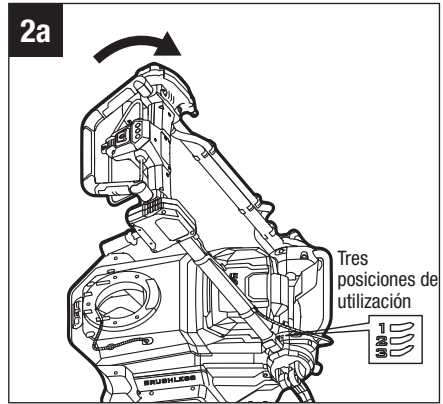
LISTA DE EMPAQUETAMIENTO

NOMBRE DE LA PIEZA	CANTIDAD
Soplador de nieve	1
Conducto de descarga	1
Manual del operador	1
Llave Allen de 5 mm	1

DESPLIEGUE DE LOS RIELES LATERALES (Fig. 2)

⚠ ADVERTENCIA: No intente arrancar el soplador de nieve cuando los rieles laterales estén plegados hacia abajo.

1. Este soplador de nieve se envía con los rieles laterales en la posición plegada.
2. Pivote suavemente los rieles laterales hacia arriba hasta que lleguen a la posición que usted prefiera. Los rieles laterales se pueden ajustar en tres posiciones distintas. Seleccione una posición de utilización cómoda de acuerdo con su estatura (Fig. 2a).
3. Cierre las palancas de liberación rápida para fijar los rieles laterales en la posición correcta (Fig. 2b).



INSTALACIÓN DEL CONDUCTO DE DESCARGA (Fig. 3)

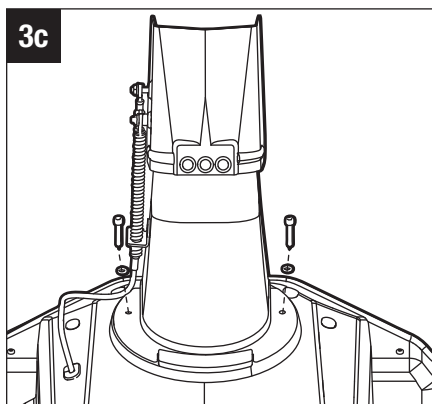
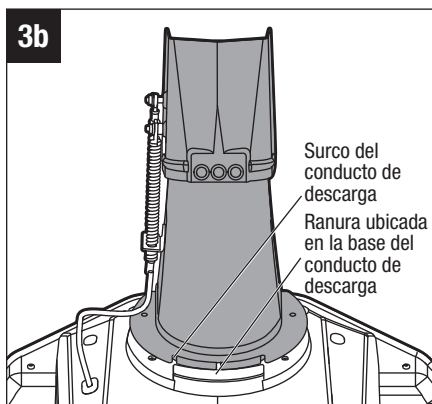
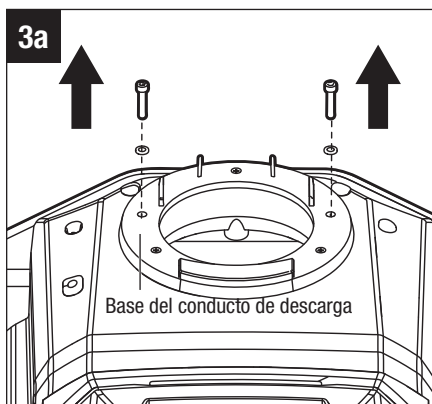
Herramientas necesarias (incluidas):

Llave Allen de 5 mm

1. Utilice la llave Allen suministrada para aflojar y retirar los dos conjuntos de pernos y arandelas ubicados en la base del conducto de descarga, de la manera que se muestra en la Fig. 3a.
2. Alinee los surcos del conducto de descarga con la ranura ubicada en la base del conducto de descarga y luego empuje dicho conducto hasta la posición correcta (Fig. 3b).
3. Utilice la llave Allen para fijar el conducto de descarga en la posición correcta con los dos conjuntos de pernos y arandelas (Fig. 3c).
4. Utilice el mango de rotación del conducto de descarga ubicado en la posición del operador, consulte el capítulo "**AJUSTE DEL CONDUCTO DE DESCARGA**".

⚠ ADVERTENCIA: Asegúrese de que el conducto de descarga rote correctamente de manera que la abertura de descarga no cruce nunca los controles del operador.

⚠ ADVERTENCIA: No utilice nunca el soplador de nieve sin el conducto de descarga completo instalado en la posición correcta.



FUNCIONAMIENTO

⚠ ADVERTENCIA: No permita que familiarizarse con este producto lo vuelva imprudente. Recuerde que un descuido de una fracción de segundo es suficiente para ocasionar lesiones graves.

⚠ ADVERTENCIA: Use siempre lentes de protección que cumplan con la norma ANSI Z87.1. De lo contrario, podría provocar que se disparen objetos hacia sus ojos y otras posibles lesiones graves.

⚠ ADVERTENCIA: No use ningún aditamento ni accesorio que no haya sido recomendado por el fabricante de este producto. El uso de aditamentos o accesorios diferentes a los recomendados podría provocar lesiones graves.

APLICACIONES

Puede usar este producto para los fines que se indican a continuación.

- Retirar nieve de áreas tales como entradas de garaje y banquetas de la calle.

INSTALACIÓN/DESINSTALACIÓN DEL PAQUETE DE BATERÍA (Fig. 4a)

¡Cargue el paquete (los paquetes) de batería antes del primer uso!

NOTA: El soplador de nieve puede ser alimentado por uno o dos paquetes de batería. La utilización de dos paquetes de batería le da a usted un tiempo de funcionamiento más prolongado y un consumo eficiente de energía gestionado por la tecnología PEAK POWER™. Para obtener el mejor rendimiento, recomendamos utilizar dos paquetes de batería de 5,0 Ah o más Ah.

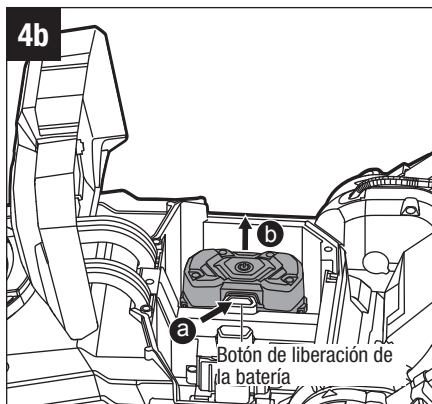
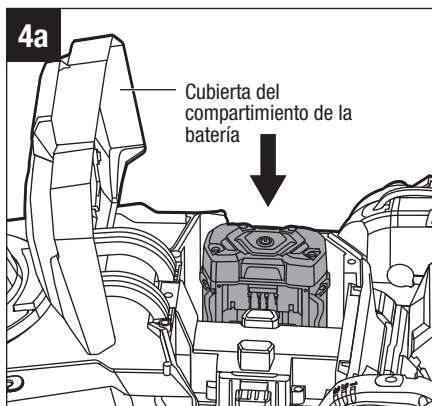
Cuando la unidad no se esté utilizando, los paquetes de batería de 56 V se deberán almacenar en un área cerrada donde la temperatura no descienda por debajo de -4 °F (-20 °C). La temperatura de carga óptima es entre 41 °F (5 °C) y 104 °F (40 °C).

⚠ ADVERTENCIA: Si cualquiera de las piezas está rota o falta, no intente instalar los paquetes de batería en el soplador de nieve ni utilizar el soplador de nieve hasta que las piezas rotas o que falten hayan sido reemplazadas. Si no se hace así, el resultado podría ser lesiones graves.

1. La cubierta del compartimiento de la batería está embisagrada. Suba dicha cubierta levantando su parte delantera.
2. El soplador de nieve cuenta con un compartimiento de batería dual, el cual permite el uso de dos paquetes de batería al mismo tiempo.
3. Alinee los surcos ubicados en el paquete de batería con las costillas en relieve ubicadas en uno de los compartimientos de batería y luego inserte el paquete de batería en el compartimiento (Fig. 4a).
4. Empuje el paquete de batería hasta que oiga un “clic”. El botón de liberación de la batería saltará hacia arriba por resorte cuando el paquete de batería esté firmemente sujeto.

AVISO: Asegúrese de que el pestillo ubicado en el compartimiento (los compartimientos) de la batería se acople a presión en la posición correcta y que el paquete o los paquetes de batería estén firmemente sujetos a la unidad antes de comenzar la utilización.

5. Instale el otro paquete de batería en el otro compartimiento de la batería de la misma manera.
6. **Para desinstalar el paquete de batería**, presione el botón de liberación de la batería para liberar el paquete de batería y luego levántelo hacia fuera del compartimiento (Fig. 4b).
7. Cierre la cubierta del compartimiento de la batería.



ARRANQUE/PARADA DEL SOPLADOR DE NIEVE

⚠ ADVERTENCIA: No intente anular el funcionamiento del botón de seguridad y del interruptor tipo agarradera.

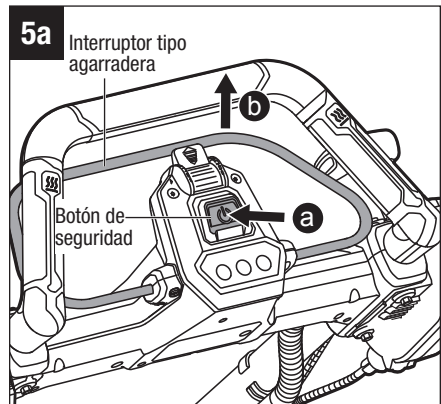
⚠ ADVERTENCIA: La utilización de un soplador de nieve puede hacer que se lancen objetos extraños hacia los ojos del operador o de otras personas, lo cual puede dañar gravemente los ojos. Use siempre anteojos de seguridad mientras esté utilizando el soplador de nieve o cuando esté realizando cualquier ajuste o reparación en el soplador de nieve.

⚠ ADVERTENCIA: Asegúrese de que otras personas y los animales domésticos permanezcan al menos a 100 pies (30 m) de distancia del soplador de nieve cuando esté en uso.

⚠ ADVERTENCIA: La barrena continuará rotando durante unos cuantos segundos después de apagar el soplador de nieve. Permita que la barrena deje de rotar antes de arrancarla de nuevo.

Para encender el soplador de nieve (Fig. 5)

1. Asegúrese de que los rieles laterales estén firmemente bloqueados en una de las posiciones de utilización desplegadas.
2. Instale el paquete (los paquetes) de batería en el soplador de nieve y cierre la cubierta de la batería. Consulte el capítulo "**INSTALACIÓN/DESINSTALACIÓN DEL PAQUETE DE BATERÍA**".



3. Encienda el soplador de nieve presionando el botón de seguridad (Fig. 5a).
4. Con el botón de seguridad presionado, jale el interruptor tipo agarradera hacia arriba para llegar a la agarradera principal (Fig. 5a).

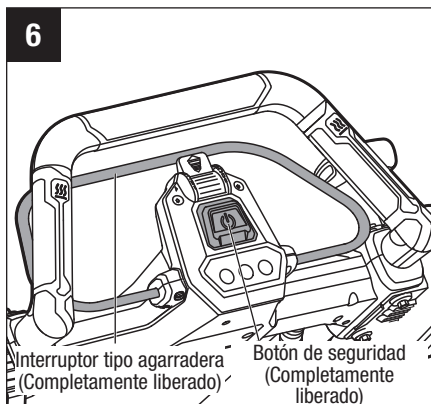
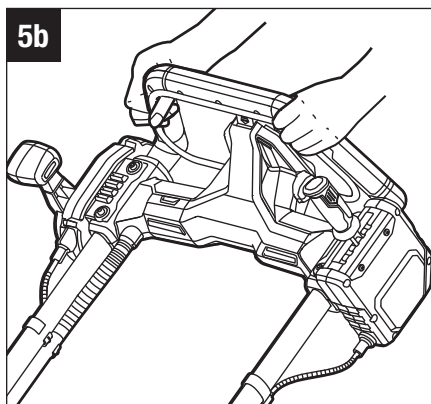
5. Una vez que la barrena arranque, suelte el botón de seguridad y comience la utilización (Fig. 5b).

NOTA: El soplador de nieve se arranca presionando PRIMERO el botón de seguridad y apretando luego el interruptor tipo agarradera. La operación inversa no arrancará el soplador de nieve.

NOTA: Es posible que el soplador de nieve no arranque correctamente si la temperatura de la batería es de $-4\text{ }^{\circ}\text{F}$ ($-20\text{ }^{\circ}\text{C}$) o menos. Si la unidad no arranca, retire la batería del soplador de nieve y deje que se caliente en un lugar interior durante 10 minutos o más tiempo. Reinstale la batería e inténtelo de nuevo.

Para apagar el soplador de nieve (Fig. 6)

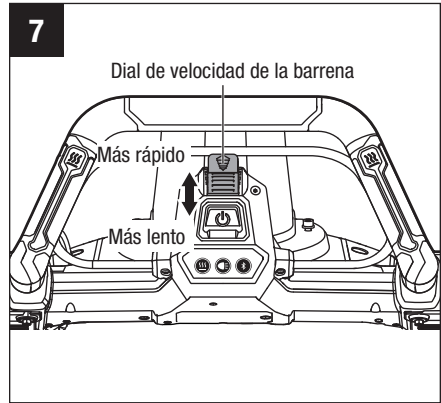
1. Suelte completamente el interruptor tipo agarradera.
2. El freno eléctrico del mecanismo de frenado automático detendrá la rotación de la barrena dentro del plazo de 3 segundos después de soltar el interruptor tipo agarradera.



SISTEMA DE VELOCIDAD VARIABLE DE LA BARRENA (Fig. 7)

La velocidad de la barrena determina la distancia de lanzamiento. La velocidad de la barrena es variable y se puede ajustar utilizando el dial de velocidad de la barrena.

1. **Para aumentar la velocidad**, mueva hacia delante el dial de velocidad de la barrena (alejándolo del usuario).
2. **Para reducir la velocidad**, mueva hacia atrás el dial de velocidad de la barrena (hacia el usuario).



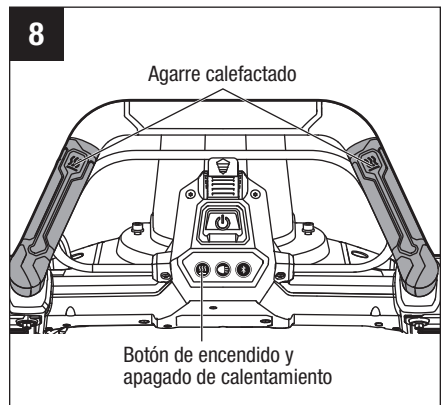
AGARRE CALEFACTADO (Fig. 8)

Este soplador de nieve cuenta con un área de agarre calefactada para proporcionar calor a las manos.

⚠ ADVERTENCIA: Asegúrese de que el recubrimiento de caucho esté intacto en las áreas de agarre calefactadas antes de encender la función de calentamiento del agarre. La piel no protegida podría sufrir lesiones por quemaduras causadas por el contacto con los elementos calefactores al descubierto.

1. Instale el paquete de batería.
2. **Para encender la función de calentamiento del agarre**, presione el botón de encendido y apagado de calentamiento y el propio botón se iluminará.
3. **Para apagar la función de calentamiento del agarre**, presione de nuevo el botón de encendido y apagado de calentamiento y la luz del botón se apagará.

NOTA: Cuando la función de calentamiento esté encendida y el soplador de nieve se utilice en el intervalo de funcionamiento recomendado, la temperatura del agarre calefactado se mantendrá entre 95 °F (35 °C) y 131 °F (55 °C).



NOTA: La función de calentamiento se apagará automáticamente para preservar la carga de la batería si el soplador de nieve ha estado inactivo durante 10 minutos.

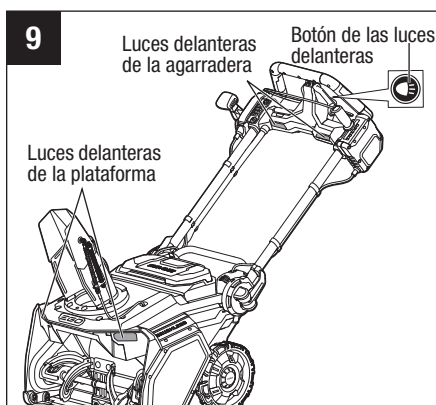
LUCES DELANTERAS DE LA PLATAFORMA Y DE LA AGARRADERA (Fig. 9)

Hay un conjunto de luces delanteras LED ubicado en la parte de delantera de la plataforma y otro conjunto ubicado en la parte delantera del área de la agarradera.

1. Instale el paquete de batería.
2. Cuando el botón de las luces delanteras se presione una vez, las luces delanteras tanto de la plataforma como de la agarradera se encenderán.
3. Cuando el botón de las luces delanteras se presione por segunda vez, las luces delanteras tanto de la plataforma como de la agarradera parpadearán.
4. Cuando el botón de las luces delanteras se presione por tercera vez, las luces delanteras tanto de la plataforma como de la agarradera se apagarán.

NOTA: No hay luz en el botón para indicar si las luces delanteras LED están encendidas o apagadas.

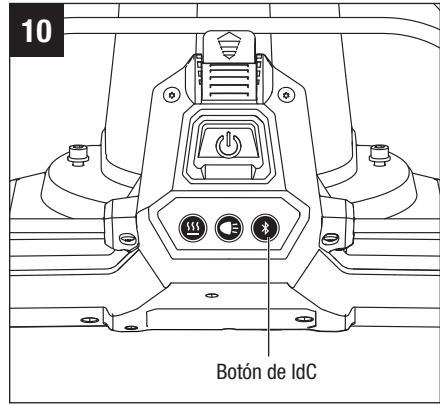
NOTA: Todas las luces delanteras se apagarán automáticamente para preservar la carga de la batería si el soplador de nieve ha estado inactivo durante 5 minutos.



UTILIZACIÓN DE LA APP EGO CONNECT (Fig. 10)

Para instalar y configurar la app

1. Descargue la app EGO Connect de la App Store para dispositivos iOS, tales como un iPhone, o de Google Play para dispositivos Android.
2. Asegúrese de que el Bluetooth esté activado en su dispositivo móvil y que su dicho dispositivo esté conectado a internet.
3. En la app, presione “SIGN IN” (INICIAR SESIÓN), si ya tiene una cuenta. o “SIGN UP” (INSCRIBIRSE) y siga los pasos para crear una cuenta nueva.
4. Instale el paquete de batería. Presione un botón cualquiera, ya sea el botón de seguridad, el botón de IdC, el botón de encendido y apagado de calentamiento o el botón de las luces delanteras, para encender el soplador de nieve.
5. En la app, pulse suavemente “Add Tool” (Añadir herramienta) y siga las instrucciones de la app para añadir su soplador de nieve.
6. Siga las instrucciones de la app para conectarse al soplador de nieve.



Botón de IdC

NOTA: La luz del botón de IdC parpadeará durante el emparejamiento y se iluminará de manera continua cuando el emparejamiento haya sido exitoso.

Para actualizar el firmware

El firmware es un sistema operativo que se ejecuta en el computador de a bordo de su soplador de nieve. Periódicamente hay disponibles nuevas versiones del firmware. Se recomienda enfáticamente instalar la última versión en su soplador de nieve para asegurarse de que este produzca el mejor rendimiento, el mejor consumo de energía y la mejor seguridad.

En la pantalla de estado, si ve la última versión, pulse suavemente en ella para instalar el último firmware. Las luces delanteras de la plataforma y de la agarradera parpadearán durante la actualización. Siga las instrucciones de la app para completar la actualización del firmware.

Para obtener más información sobre la funcionalidad y las características de la app, sírvase consultar las instrucciones incluidas en la última versión de la app EGO Connect.

AJUSTE DEL CONDUCTO DE DESCARGA (Fig. 11)

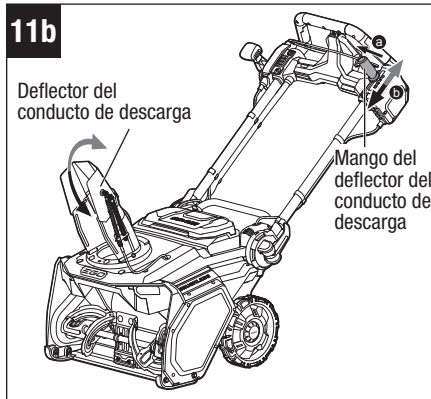
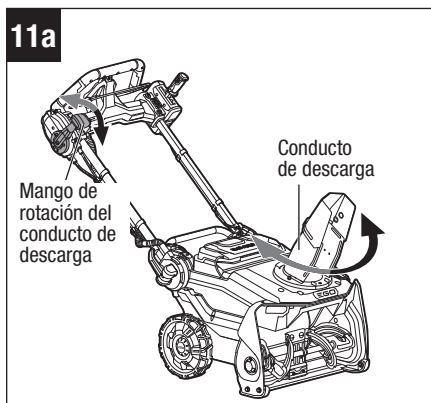
El conducto de descarga se puede ajustar para cambiar tanto la dirección como la distancia de lanzamiento de la nieve descargada, para ayudarle a usted a mover la nieve alejándola de un área y depositándola en otra.

La **dirección** de descarga de la nieve se puede ajustar hasta 100° hacia la izquierda y 100° hacia la derecha (Fig. 11a).

1. Empuje hacia delante el mango de rotación del conducto de descarga para rotar dicho conducto hacia la izquierda.
2. Jale hacia atrás el mango de rotación del conducto de descarga para rotar dicho conducto hacia la derecha.

La **distancia del lanzamiento** del soplador de nieve se determina en parte moviendo el deflector del conducto de descarga hacia arriba o hacia abajo (Fig. 11b).

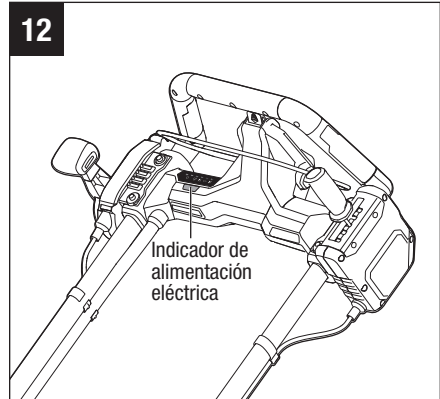
1. Para aumentar la distancia a la que se lanza la nieve, agarre el mango del deflector del conducto de descarga y muévalo hacia dentro para desacoplarlo del retén, y luego mueva el mango hacia arriba y acóplelo en el retén cuando se alcance la distancia de lanzamiento deseada.
2. Para reducir la distancia a la que se lanza la nieve, agarre el mango del deflector del conducto de descarga y muévalo hacia dentro para desacoplarlo del retén, y luego mueva el mango hacia abajo y acóplelo en el retén cuando se alcance la distancia de lanzamiento deseada.



⚠ ADVERTENCIA: Agarre firmemente el mango del deflector del conducto de descarga cuando ajuste la distancia de lanzamiento y suéltelo solo cuando esté firmemente acoplado en el retén deseado. Si se suelta rápidamente el mango, es posible que se cree un peligro de pellizcamiento o jalón para la mano del operador.

INDICADOR DE ALIMENTACIÓN ELÉCTRICA UBICADO EN EL SOPLADOR DE NIEVE (Fig. 12)

El soplador de nieve cuenta con un indicador de alimentación eléctrica para comunicar el nivel de carga del paquete (los paquetes) de batería y el estado de funcionamiento del soplador de nieve. El indicador de alimentación eléctrica se iluminará solo al encender el soplador de nieve.



NOTA: Para cualquier falla que no se pueda resolver, contacte a un centro de servicio de EGO para la reparación.

INDICADOR DE ALIMENTACIÓN ELÉCTRICA	SIGNIFICADO	ACCIÓN
Parpadea en verde	El botón de seguridad está presionado y el soplador de nieve está encendido y listo para funcionar. Cada paquete de batería insertado tiene al menos un 15% de su carga.	Funcionamiento normal. No se necesita ninguna acción.
Se ilumina en verde	El soplador de nieve está funcionando correctamente y cada batería tiene al menos un 15% de su carga.	Funcionamiento normal. No se necesita ninguna acción.

INDICADOR DE ALIMENTACIÓN ELÉCTRICA	SIGNIFICADO	ACCIÓN
Parpadea en verde	El paquete de batería está casi agotado.	Pare el soplador de nieve y cargue el paquete (los paquetes) de batería.
Se ilumina en naranja	El soplador de nieve está sobrecalentado.	Pare el soplador de nieve y espere un poco de tiempo para enfriar la máquina.
Parpadea en naranja	El soplador de nieve está sobrecargado.	Retire el paquete (los paquetes) de batería. Compruebe si se ha acumulado nieve debajo de la barrena o si se ha incrustado nieve en la misma, y retire dicha nieve. Reduzca el ritmo o disminuya la anchura de la franja de corte de despeje de nieve cuando trabaje.
Parpadea en rojo y verde alternadamente	Falla de comunicación	Contacte a servicio al cliente de EGO para la reparación.
No hay indicación	Si el indicador LED de uno o de ambos paquetes de batería parpadea en naranja o se ilumina en verde, el paquete o los paquetes de batería están sobrecalentados.	Pare el soplador de nieve y deje que el paquete de batería se enfríe.
	Otras fallas: interruptor, luz, etc.	Contacte a servicio al cliente de EGO para la reparación.

PROTECCIÓN CONTRA SOBRECARGAS DEL SOPLADOR DE NIEVE

Para prevenir situaciones de sobrecarga, no intente retirar demasiada nieve al mismo tiempo. Reduzca el ritmo o disminuya la anchura de la franja de despeje de la nieve.

Este soplador de nieve tiene incorporados elementos sensores de sobrecargas. Cuando el motor de la barrena esté sobrecargado, dicho motor reducirá automáticamente la velocidad de rotación de la barrena y usted oirá cómo el volumen (ruido) del motor disminuye. En caso de sobrecarga, reduzca el ritmo o estreche la anchura de despeje, después de lo cual la velocidad del motor de la barrena reanudará automáticamente su ajuste normal. Si este remedio no resuelve la situación de sobrecarga, el sensor apagará automáticamente el motor y el indicador de alimentación eléctrica parpadeará en naranja. Retire el paquete (los paquetes) de batería del soplador de nieve. Realice una comprobación para determinar si hay nieve o hielo pegados a la barrena y la plataforma, y utilice una herramienta de limpieza para eliminarlos según sea necesario. Reinstale el paquete (los paquetes) de batería y rearranque el soplador de nieve.

DESPEJE DE UN CONDUCTO DE DESCARGA OBSTRUIDO

⚠ ADVERTENCIA: La entrada en contacto de las manos con la barrena que rota dentro del conducto de descarga es la causa más común de lesiones asociadas con los sopladores de nieve. No use nunca la mano para limpiar el conducto de descarga.

⚠ ADVERTENCIA: No ponga nunca las manos dentro del conducto de descarga ni ponga ninguna parte del cuerpo delante del soplador de nieve cuando la unidad esté en funcionamiento o cuando el paquete o los paquetes de batería estén instalados. Asegúrese siempre de que todas las piezas móviles se hayan detenido y que el paquete o los paquetes de batería hayan sido retirados antes de despejar cualquier obstrucción. Si no se siguen estas instrucciones, el resultado puede ser lesiones corporales graves.

Para despejar el conducto de descarga:

1. ¡Pare el motor de la barrena!
2. Retire el paquete (los paquetes) de batería del soplador de nieve.
3. Espere 10 segundos para asegurarse de que la barrena haya dejado de rotar.
4. Utilice siempre una herramienta de limpieza, tal como una varilla de madera u otras herramientas de despeje que están disponibles comercialmente; **NO USE LA MANO.**

PROTECCIÓN CONTRA ALTAS TEMPERATURAS DE LA BATERÍA

Si la temperatura de la batería excede 158 °F (70 °C) durante la utilización, el circuito de protección contra altas temperaturas apagará inmediatamente el soplador de nieve para proteger los paquetes de batería contra los daños por sobrecalentamiento. El indicador de alimentación eléctrica ubicado en el soplador de nieve estará apagado y el indicador LED ubicado en el paquete de batería parpadeará en naranja o se iluminará en rojo.

NOTA: El indicador LED de los siguientes paquetes de batería parpadeará con luces naranja cuando dichos paquetes estén sobrecalentados: BA1400, BA1400-FC, BA2800, BA2800-FC, BA4200 y BA4200-FC; las luces LED de los siguientes paquetes de batería se iluminarán en rojo cuando dichos paquetes estén sobrecalentados: BA1400T, BA1400T-FC, BA2242T, BA2242T-FC, BA2800T, BA2800T-FC, BA3360T, BA3360T-FC, BA4200T, BA4200T-FC, BA4480T, BA4480T-FC, BA5600T, BA5600T-FC, BA6720T y BA6720T-FC.

Suelte el interruptor tipo agarradera y espere hasta que el paquete o los paquetes de batería se enfrien y la luz ubicada en el indicador LED de la batería se ponga verde, y luego reanque el soplador de nieve.

Para prevenir apagados debido a la protección contra altas temperaturas de la batería, no intente utilizar una sola batería para alimentar el soplador de nieve cuando la profundidad de la nieve acumulada exceda 3 pulgadas (76 mm) o cuando la nieve esté muy mojada o helada. Recomendamos el uso de dos baterías que funcionen simultáneamente. Esto es útil para obtener la potencia pico del soplador de nieve.

Después de que se haya activado la protección contra altas temperaturas, reduzca el ritmo y estreche la anchura de la franja de despeje para reducir la carga de trabajo en la batería.

CONSEJOS DE UTILIZACIÓN

⚠ PELIGRO: No utilice nunca un soplador de nieve en lagos o ríos congelados, ni en superficies similares. Podrían producirse lesiones graves o la muerte si el hielo se rompe.

⚠ PELIGRO: No utilice nunca el soplador de nieve en un tejado u otra superficie inestable, ya que pueden producirse lesiones corporales graves o la muerte.

⚠ PELIGRO: No utilice el soplador de nieve en hielo, ya que esto puede hacer que el operador resbale y se caiga, y el resultado sea posibles lesiones corporales graves.

⚠ ADVERTENCIA: No use ropa holgada, bufandas ni joyas. Pueden resultar atrapadas en las piezas móviles y causar la muerte o lesiones corporales graves.

⚠ ADVERTENCIA: Mantenga toda la descarga de nieve orientada de manera que se aleje de todos los dispositivos eléctricos para reducir el riesgo de electrocución o descargas eléctricas.

⚠ ADVERTENCIA: No apunte nunca el soplador de nieve o el conducto de descarga en dirección a personas o animales domésticos. La nieve u otros objetos que se lancen al aire pueden causar lesiones corporales graves.

⚠ ADVERTENCIA: Asegúrese de que el área que se vaya a despejar esté libre de piedras, palos, cables, grava y otros objetos que podrían ser lanzados al aire accidentalmente por el soplador de nieve en cualquier dirección y causar lesiones corporales graves al operador y a otras personas.

- Si la unidad entra en contacto con cualquier tipo de obstrucción o residuo durante su utilización, pare el soplador de nieve, retire el paquete o los paquetes de batería, retire la obstrucción e inspeccione minuciosamente la unidad para determinar si está dañada antes de seguir adelante.

⚠ ADVERTENCIA: No introduzca nunca las manos en el conducto de descarga ni coloque ninguna parte del cuerpo delante del soplador de nieve cuando la unidad esté en funcionamiento o cuando el paquete o los paquetes de batería estén instalados. Asegúrese siempre de que todas las piezas móviles se hayan detenido y que el paquete o los paquetes de batería hayan sido retirados antes de despejar cualquier obstrucción. Si no se siguen estas instrucciones, el resultado puede ser lesiones corporales graves.

- Fíjese en la dirección del viento antes de comenzar. Cuando sea posible, descargue la nieve en la misma dirección que el viento para impedir que la nieve le sea lanzada hacia atrás, hacia la cara.
- Algunas piezas del soplador de nieve se pueden congelar en condiciones climáticas extremas. No intente utilizar la unidad con piezas congeladas.

- Cuando haya acabado, deje que el motor funcione durante unos minutos adicionales para impedir que las piezas móviles se congelen y luego gire hacia atrás y hacia delante varias veces la manija de rotación del conducto de descarga para liberarla de cualquier acumulación de hielo. Asegúrese de retirar toda la nieve y todo el hielo que pueda haber en la base del conducto de descarga.
- En condiciones de nieve y frío, es posible que algunos controles y piezas móviles se congelen. No emplee una fuerza excesiva cuando intente utilizar controles congelados. Si tiene dificultad para utilizar cualquier control o pieza, arranque la máquina tal y como se muestra en la sección “**ARRANQUE/PARADA DEL SOPLADOR DE NIEVE**” y deje que funcione durante unos minutos.

MANTENIMIENTO

⚠ ADVERTENCIA: Para evitar lesiones corporales graves, retire siempre el paquete o los paquetes de batería del soplador de nieve antes de limpiarlo o realizar cualquier mantenimiento.

⚠ ADVERTENCIA: Cuando haga servicio de ajustes y reparaciones, utilice únicamente piezas de repuesto idénticas. Es posible que el uso de cualquier otra pieza cree un peligro o cause daños al producto. Para garantizar la seguridad y la confiabilidad, todas las reparaciones deberán ser realizadas por un técnico de servicio calificado.

AVISO: Inspeccione periódicamente todo el producto para determinar si hay piezas dañadas, si faltan piezas o si hay piezas flojas, tales como tornillos, tuercas, pernos, tapas, etc. Apriete firmemente todos los sujetadores y todas las tapas y no utilice este producto hasta que todas las piezas que falten o estén dañadas hayan sido reemplazadas.

MANTENIMIENTO GENERAL

Evite utilizar solventes cuando limpie piezas de plástico. La mayoría de los plásticos son susceptibles a sufrir daños por causa de diversos tipos de solventes comerciales y es posible que resulten dañados por el uso de dichos solventes. Utilice paños limpios para retirar la suciedad, el polvo, el aceite, la grasa, etc.

⚠ ADVERTENCIA: No deje en ningún momento que líquido de frenos, gasolina, productos a base de petróleo, aceites penetrantes, etc., entren en contacto con piezas de plástico. Las sustancias químicas pueden dañar, debilitar o destruir el plástico, lo cual puede tener como resultado lesiones corporales graves.

LUBRICACIÓN DE LA MÁQUINA

Todos los cojinetes de este producto están lubricados con una cantidad de lubricante de alta calidad suficiente para la vida útil de la unidad en condiciones de utilización normales. Por lo tanto, no se requiere lubricación adicional de los cojinetes.

REEMPLACE Y AJUSTE DE LAS ZAPATAS DESLIZANTES (Fig. 13)

Cuando encuentre superficies desiguales o de grava, será necesario ajustar la altura de las zapatas deslizantes para aumentar la capacidad del soplador de nieve para maniobrar sobre la nieve.

Cuando las zapatas deslizantes estén rotas o el ajuste máximo de la altura no cumpla con el requisito, reemplace las zapatas deslizantes.

Herramienta necesaria (no incluida):

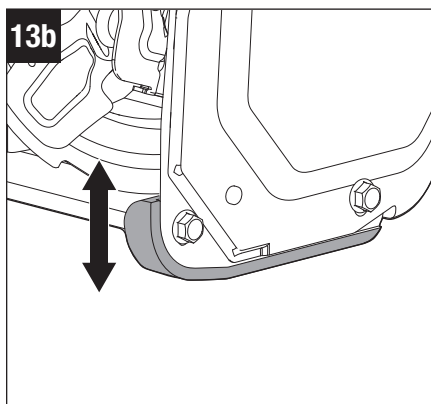
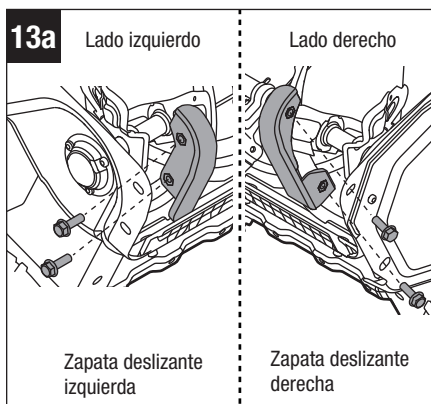
- una llave de tubo de 13 mm o una llave de tuerca ajustable

Para reemplazar las zapatas deslizantes (Fig. 13a)

1. Retire el paquete (los paquetes) de batería.
2. Afloje y retire los cuatro pernos ubicados a ambos lados de la plataforma.
3. Instale la zapata deslizante izquierda nueva en el lado izquierdo de la plataforma y la zapata deslizante derecha en el lado derecho de la plataforma.
4. Reinstale los pernos y apriételos firmemente.

Para ajustar la altura de las zapatas deslizantes (Fig. 13b)

La altura de cada zapata deslizante se puede ajustar sin retirar los pernos. Simplemente afloje los pernos, ajuste la posición de las zapatas deslizantes y luego reapriete los pernos.

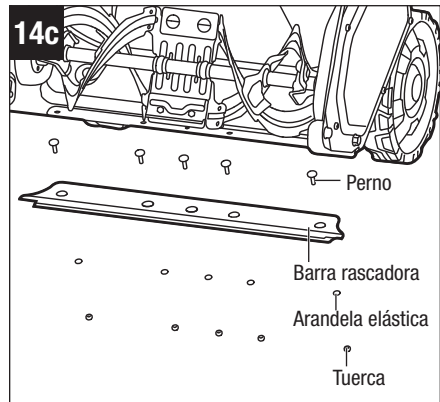
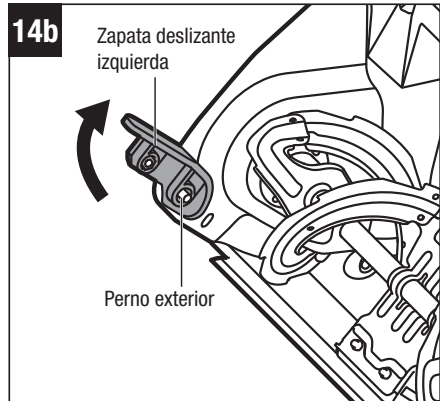
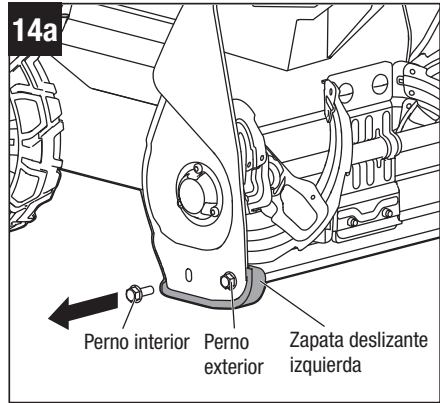


REEMPLAZO DE LA BARRA RASCADORA (Fig. 14)

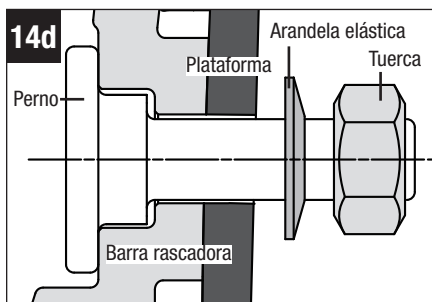
Herramientas necesarias (no incluidas):

- una llave de tubo de 8 mm o una llave de tuerca ajustable
- una llave de tubo de 13 mm o una llave de tuerca ajustable

1. Retire el paquete (los paquetes) de batería.
2. Acueste el soplador de nieve sobre uno de sus lados o en cualquier otra posición conveniente para hacer servicio de ajustes y reparaciones de la barra rascadora.
3. Para reducir el riesgo de lesiones, use guantes. Utilizando la llave de 13 mm, retire el perno interior de la zapata deslizante izquierda y simplemente afloje el perno exterior de la zapata deslizante izquierda (Fig. 14a & 14b).
4. Utilizando la llave de 8 mm, afloje y retire las cinco tuercas y arandelas ubicadas en la parte inferior de la plataforma, así como los cinco pernos ubicados en el interior. Retire la barra rascadora desgastada alejándola de la plataforma (Fig. 14c).
5. Instale la barra rascadora nueva en el soplador de nieve con la superficie brillante orientada hacia el interior de la plataforma. Alinee los agujeros de montaje ubicados en la barra rascadora con los agujeros ubicados en la plataforma de acero. Inserte los cinco pernos en los agujeros de montaje desde la superficie interior brillante de la barra rascadora.



6. Reinstale las arandelas elásticas y las tuercas en los pernos (desde el exterior de la plataforma) y sujete firmemente la barra rascadora en la plataforma utilizando la llave de 8 mm (Fig. 14d).
7. Reinstale el perno interior de la zapata deslizante izquierda. Apriete firmemente los pernos tanto interior como exterior utilizando la llave de 13 mm.



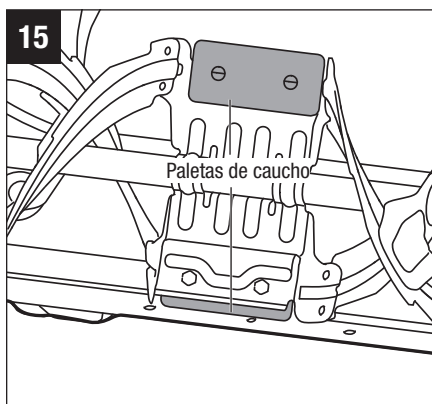
REEMPLAZO DE LA PALETA DE CAUCHO (Fig. 15)

Si las paletas de caucho se desgastan, se agrietan excesivamente, se deshilachan o se dañan de alguna otra manera, reemplácelas.

Herramientas necesarias (no incluidas):

- Destornillador de cabeza plana
- Llave de tubo de 10 mm o llave de tuerca ajustable

1. Retire el paquete (los paquetes) de batería.
2. Use guantes. Rote manualmente la barrena de acero hasta la posición adecuada para tener acceso fácil a las paletas de caucho.
3. Utilice la llave de 10mm y el destornillador para retirar los dos conjuntos de pernos y tuercas de fijación de cada paleta de caucho. Luego, retire las paletas de caucho.
4. Reemplace las paletas por las paletas de caucho nuevas y apriételas firmemente.



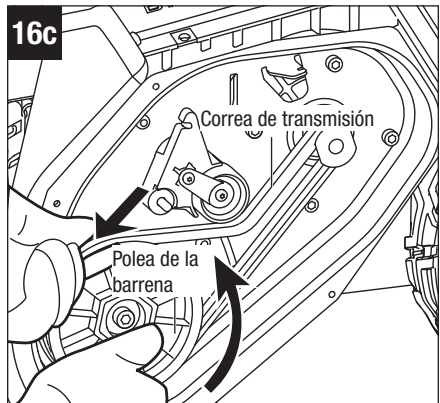
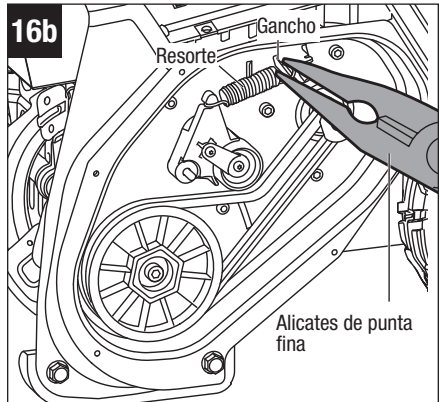
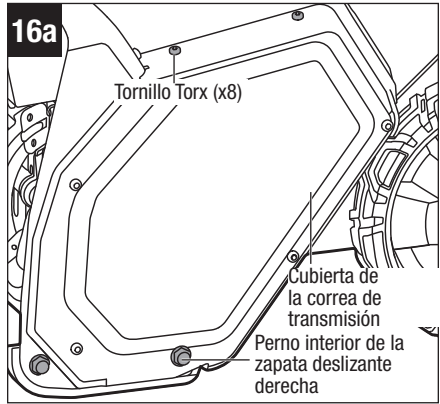
REEMPLAZO DE LA CORREA DE TRANSMISIÓN (Fig. 16)

Si la correa de transmisión se desgasta, se empapa de aceite, se agriete excesivamente, se deshilacha o se daña de alguna otra manera, reemplácela.

Herramientas necesarias (no incluidas):

- Una llave de tubo de 13 mm o una llave de tuerca ajustable
- Destornillador Torx T20
- Alicates de punta fina

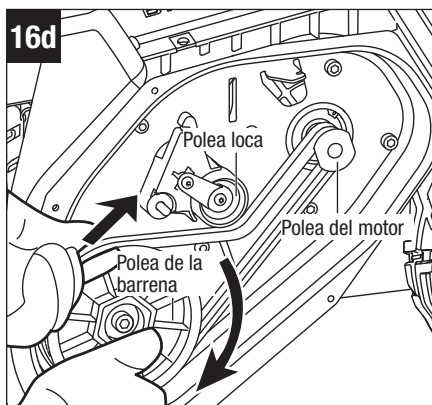
1. Retire el paquete (los paquetes) de batería.
2. Utilice el destornillador torx para aflojar y retirar los 8 tornillos Torx y la llave de 13 mm para retirar el perno interior de la zapata deslizante derecha. Luego, retire la cubierta de la correa de transmisión (Fig. 16a).
3. Utilice los alicates de punta fina para retirar el resorte del gancho con el fin de reducir la tensión de la correa (Fig. 16b).
4. Retire la correa de transmisión girando lentamente la polea de la barrena en sentido contrario al de las agujas del reloj mientras jala la correa hacia fuera (Fig. 16c).



5. Instale la correa de transmisión nueva rotándola sobre las poleas (Fig. 16d).

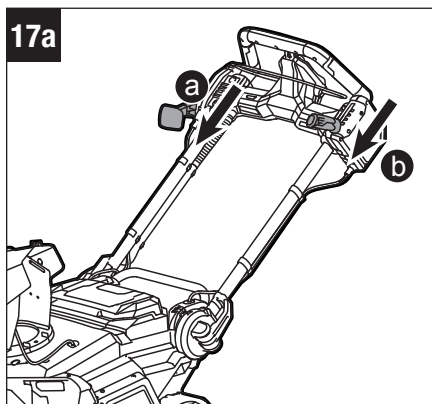
Consejos: Rote primero la correa de transmisión nueva alrededor de la polea del motor y luego de la polea loca, y finalmente alrededor de la polea de la barrena. Gire lentamente la polea de la barrena en el sentido de las agujas del reloj para impulsar la correa hacia dentro.

6. Utilice los alicates de punta fina para instalar el resorte en el gancho con el fin de tensar la correa de transmisión.
7. Reinstale la cubierta de la correa de transmisión y fíjela con los 8 tornillos Torx y el perno interior de la zapata deslizante derecha.



PLEGADO DE LOS RIELES LATERALES (Fig. 17)

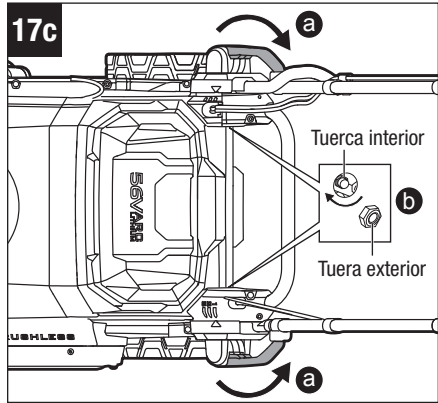
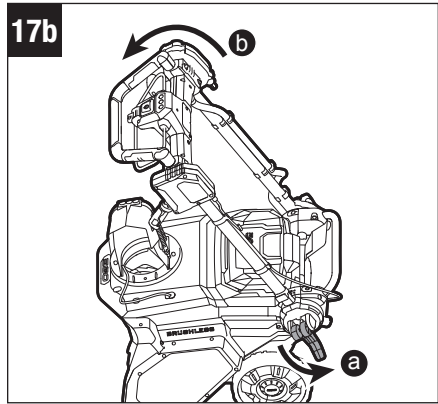
1. Retire el paquete (los paquetes) de batería.
2. Empuje el mango de rotación del conducto de descarga completamente hacia delante de manera que el conducto esté orientado hacia la izquierda y mueva el mango del deflector del conducto de descarga completamente hacia abajo hasta el retén más bajo (Fig. 17a). Esto garantizará que no se cause interferencia durante el plegado.



3. Abra las palancas de liberación rápida ubicadas a ambos lados para plegar los rieles laterales en la posición de almacenamiento (Fig. 17b).

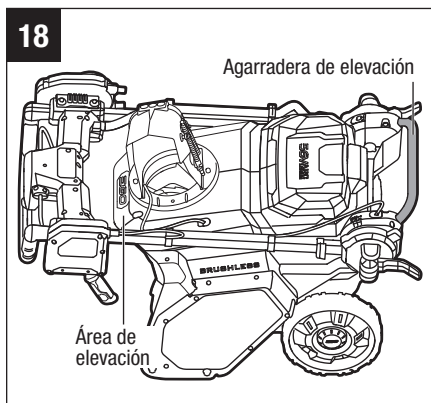
AVISO: Cuando los rieles laterales en una de las posiciones de funcionamiento desplegadas no se puedan sujetar firmemente por medio de las palancas de liberación rápida, es posible que las tuercas de dichas palancas estén flojas. Siga los pasos que se indican a continuación para apretar las tuercas:

1. Despliegue los rieles laterales en una de las tres posiciones de funcionamiento para ofrecer conveniencia.
2. Cierre las palancas de liberación rápida ubicadas a ambos lados.
3. Retire las tuercas exteriores y apriete las tuercas interiores de las palancas de liberación rápida a ambos lados utilizando una llave de tubo de 13 mm (no incluida), de la manera que se muestra en la Fig. 17c.



LEVANTAMIENTO Y TRANSPORTE DEL SOPLADOR DE NIEVE (Fig. 18)

1. Retire el paquete (los paquetes) de batería.
2. Pliegue los rieles laterales hasta la posición de almacenamiento tal como se describe en el capítulo anterior.
3. Levante y transporte la unidad agarrando la agarradera de elevación con una mano y el área de elevación de la unidad de la nieve (justo debajo del logotipo de EGO), con la otra mano.



⚠ ADVERTENCIA: ¡El soplador de nieve es pesado! Levántelo con las piernas –no con la espalda–.

ALMACENAMIENTO DEL SOPLADOR DE NIEVE

⚠ PRECAUCIÓN: Asegúrese de que toda la nieve derretida que pueda gotear del soplador de nieve sea retirada adecuadamente para prevenir un peligro de resbalamiento y caída.

Retire el paquete o los paquetes de batería y almacénelos en un lugar seguro fuera del alcance de los niños.

NOTA: Cuando no se esté utilizando, una batería de 56 V se deberá almacenar en un área cerrada donde la temperatura no descienda por debajo de -4 °F (-20 °C). Las temperaturas de carga óptimas son 41 – 104 °F (5 – 40 °C).

Antes de almacenar la unidad, elimine con un paño la humedad, la suciedad o los residuos del compartimiento de la batería y alrededor del mismo.

- Limpie el soplador de nieve con un paño limpio y seco.
- Compruebe el apriete de todas las tuercas, pernos, perillas, tornillos, etc.
- Inspeccione las piezas móviles para determinar si tienen daños, roturas y desgaste. Haga que cualquier pieza dañada o que falte sea reparada o reemplazada.
- Pliegue los rieles laterales hasta la posición de almacenamiento.
- Almacene el soplador de nieve en un lugar limpio, seco, cerrado y fuera del alcance de los niños.
- No almacene la unidad cerca de materiales corrosivos, tales como fertilizante o sal de roca.

RESOLUCIÓN DE PROBLEMAS

⚠ ADVERTENCIA: Retire siempre el paquete (los paquetes) de batería cuando haga servicio de ajustes y reparaciones del soplador de nieve o lo transporte. Protéjase siempre las manos usando guantes cuando realice cualquier mantenimiento del soplador de nieve.

PROBLEMA	CAUSA	SOLUCIÓN
El soplador de nieve no arranca.	<ul style="list-style-type: none"> ■ La carga del paquete (los paquetes) de batería está baja. ■ La barrena de acero está congelada por nieve o hielo. ■ El paquete de batería está sobrecalentado. El indicador LED ubicado en el paquete (los paquetes) de batería parpadea en naranja o se ilumina en rojo (consulte la sección “PROTECCIÓN CONTRA ALTAS TEMPERATURAS DE LA BATERÍA” de este manual). 	<ul style="list-style-type: none"> ■ Cargue el paquete (los paquetes) de batería. ■ Retire primero el paquete (los paquetes) de batería y luego utilice una herramienta de limpieza para retirar la nieve o el hielo que obstruyen la barrena. Reinstale los paquetes de batería y re arranque el soplador de nieve. ■ Caliente el soplador de nieve a temperatura ambiente durante aproximadamente 20 min y luego re arranque el soplador de nieve. ■ Retire el paquete o los paquetes de batería sobrecalentados del soplador de nieve y espere hasta que el paquete o los paquetes de batería se enfríen hasta aproximadamente 152 °F (67 °C). Reinstale el paquete (los paquetes) de batería y re arranque el soplador de nieve.

PROBLEMA	CAUSA	SOLUCIÓN
El soplador de nieve no arranca.	<ul style="list-style-type: none"> ■ Pasos incorrectos para encender el soplador de nieve. ■ Falla no identificada 	<ul style="list-style-type: none"> ■ (1) Presione el botón de seguridad hasta que el indicador de alimentación eléctrica parpadee en verde. ■ (2) Con el botón presionado, jale hacia arriba el interruptor tipo agarradera para llegar a la agarradera principal. ■ Contacte a servicio al cliente de EGO para la reparación.
Los rieles laterales no permanecen en la posición correcta.	<ul style="list-style-type: none"> ■ Las palancas de liberación rápida no están firmemente sujetas. ■ Las tuercas de las palancas de liberación rápida están flojas. 	<ul style="list-style-type: none"> ■ Asegúrese de que las palancas de liberación rápida estén completamente cerradas. ■ Compruebe las tuercas de las palancas de liberación rápida para asegurarse de que estén apretadas.
El motor está encendido, pero la barrena no gira.	<ul style="list-style-type: none"> ■ La correa de transmisión está desgastada o rota. 	<ul style="list-style-type: none"> ■ Reemplace la correa de transmisión siguiendo la sección “REEMPLAZO DE LA CORREA DE TRANSMISIÓN” de este manual.
Después de pasar, el soplador de nieve deja una capa de nieve en el suelo.	<ul style="list-style-type: none"> ■ La barra rascadora está desgastada. 	<ul style="list-style-type: none"> ■ Reemplace la barra rascadora siguiendo la sección “REEMPLAZO DE LA BARRA RASCADORA” de este manual.

PROBLEMA	CAUSA	SOLUCIÓN
El soplador de nieve lanza menos nieve.	<ul style="list-style-type: none">■ Las paletas de caucho están desgastadas.■ Puede que la velocidad de la barrena sea demasiado baja.	<ul style="list-style-type: none">■ Reemplace las paletas de caucho siguiendo la sección “PARA REEMPLAZAR LAS PALETAS DE CAUCHO” de este manual.■ Aumente la velocidad de la barrena.
El área de agarre no se calienta.	<ul style="list-style-type: none">■ La función de calentamiento se apagará automáticamente cuando el soplador de nieve esté inactivo durante 10 minutos.	<ul style="list-style-type: none">■ Presione el interruptor de calentamiento del agarre para reiniciar el calentamiento.

GARANTÍA LIMITADA DE EGO

TÉRMINOS Y DURACIÓN DE LA PÓLIZA DE GARANTÍA

Chervon North America, Inc. (“Chervon North America”), proporciona la siguiente Garantía Limitada para los productos EGO al comprador original de productos EGO.

El período de garantía detallado de cada producto EGO se puede encontrar en línea en <http://egopowerplus.com/warranty-policy>.

Sírvase contactar a Servicio al Cliente de EGO llamando gratis al 1-855-EGO-5656 en cualquier momento en que tenga preguntas o reclamos de garantía, o si desea obtener una copia impresa de la garantía.

GARANTÍA LIMITADA DE SERVICIO

Los productos EGO están garantizados contra defectos de material o de fabricación a partir de la fecha de compra minorista original durante el período de garantía aplicable. Para cualquier reclamo de garantía presentado de manera adecuada y oportuna, si Chervon North America determina que un producto presenta algún defecto durante el período de garantía, dicho producto recibirá una reparación o un remplazo gratuitos, según lo determine Chervon North America.

CÓMO OBTENER SERVICIO

Para obtener servicio de garantía, dentro del período de garantía aplicable, sírvase contactar a servicio al cliente de EGO llamando gratis al **1-855-EGO-5656**. Cuando solicite servicio de garantía, deberá presentar el recibo de venta fechado original. Se seleccionará un centro de servicio autorizado para evaluar y reparar el producto si el mismo presenta algún defecto de acuerdo con los términos establecidos en la garantía. Cuando lleve su producto al centro de servicio autorizado, es posible que se requiera un pequeño depósito cuando deje allí su herramienta. Este depósito es reembolsable cuando se considere que el servicio de reparaciones esté cubierto bajo garantía. El comprador es responsable del transporte de cualquier equipo o aditamento de energía para exteriores a sus expensas.

LIMITACIONES Y EXCLUSIONES ADICIONALES

Esta garantía limitada se aplica solo al comprador original que realice la compra a un minorista EGO autorizado y no es transferible. Los productos EGO no serán considerados defectuosos, y esta garantía no se aplicará, en los casos en que el defecto por el que se presente el reclamo sea atribuible a cualquier causa que no sean los defectos definidos anteriormente en este documento. Esta garantía quedará anulada si el producto se ha utilizado para fines de alquiler. Esta garantía no se aplicará a daños causados por accidente, abuso, uso incorrecto, alteración, modificación, reparación no autorizada, contacto con líquidos, incendio, terremoto u otra causa externa; utilización del producto sin seguir las instrucciones, especificaciones o pautas de EGO; o no hacer servicio de ajustes y reparaciones o no mantener adecuadamente el producto. Esta garantía tampoco se aplica a los daños cosméticos, incluyendo, pero sin limitarse a ello, rasguñaduras o abolladuras; defectos causados por el desgaste por el uso normal o defectos que de alguna otra manera se deban al envejecimiento normal del producto.

ESTA GARANTÍA EXPRESA SE DA EN LUGAR DE TODAS LAS DEMÁS GARANTÍAS, EXPRESAS O IMPLÍCITAS, INCLUYENDO, PERO SIN LIMITARSE A ELLO, TODAS LAS GARANTÍAS DE COMERCIABILIDAD O IDONEIDAD PARA UN PROPÓSITO O USO ESPECÍFICO, LAS CUALES QUEDAN EXCLUIDAS. Todas las garantías implícitas, incluyendo las garantías de comerciabilidad o idoneidad para un propósito específico, que no se puedan excluir bajo la ley estatal, están limitadas al período de garantía aplicable definido al comienzo de este artículo. El remedio único y exclusivo en conexión con la compra, instalación, uso y/o rendimiento de los productos EGO es la reparación o el reemplazo del producto tal y como lo determine Chervon North America. La responsabilidad máxima de North America no excederá en ningún caso el precio de compra pagado por el producto. CHERVON NORTH AMERICA NO SERÁ RESPONSABLE ANTE EL USUARIO NI ANTE NADIE MÁS POR DAÑOS EMERGENTES, INCIDENTALES, ESPECIALES, EJEMPLARES, INDIRECTOS O PUNITIVOS QUE SURJAN DEL USO DE LOS PRODUCTOS, INCLUYENDO, PERO SIN LIMITARSE A ELLO, LESIONES CORPORALES, MUERTE, DAÑOS MATERIALES, GANANCIAS PERDIDAS U OTROS PERJUICIOS ECONÓMICOS. Esta garantía le confiere a usted derechos legales específicos y es posible que usted tenga también otros derechos que varían de un estado a otro. Algunos estados no permiten limitaciones en cuanto a la duración de una garantía implícita, la exclusión o limitación de los daños incidentales o emergentes, o las limitaciones al tiempo para emprender ciertas acciones legales, por lo que las limitaciones contenidas en el presente documento no se aplican a los consumidores individuales de esos estados.



Esta garantía está sujeta a la ley de Michigan y se interpretará de acuerdo con dicha ley, con independencia de los principios sobre conflictos de leyes. No se emprenderá ninguna acción legal contra Chervon North America a menos que se presente dentro del plazo de un (1) año después de que se tenga conocimiento de la base de dicha acción legal o de la cual se debiera haber tenido conocimiento con el ejercicio de una diligencia razonable. Se considerará que se ha renunciado a cualquier acción legal que no se presente oportunamente.

Para obtener servicio al cliente, contáctenos llamando gratis al **1-855-EGO-5656** o en **EGOPOWERPLUS.COM**.

EGO Customer Service,
769 Seward Ave. NW, Suite 102,
Grand Rapids, Michigan 49504.

