



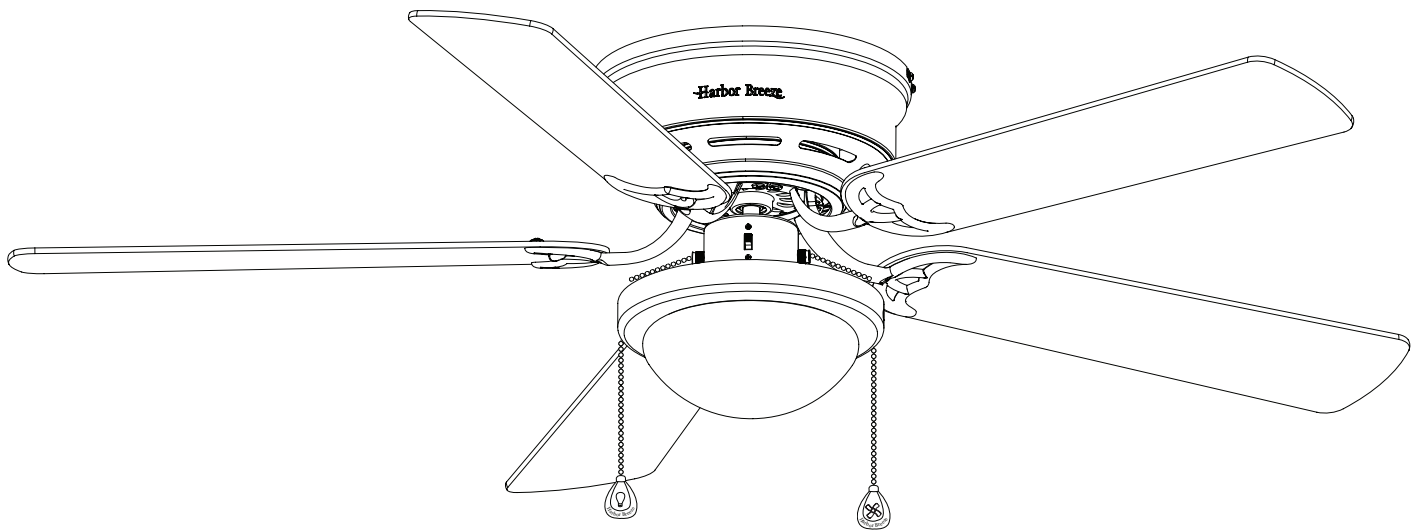
ITEM #1607176, 43105031, 1607175, 43105030

# 52-IN ARMITAGE CEILING FAN

MODELS #41552, 41551

Harbor Breeze® is a registered trademark of LF, LLC. All Rights Reserved.

**Français p. 20**



## ATTACH YOUR RECEIPT HERE

Purchase Date \_\_\_\_\_



**Questions, problems, missing parts?** Before returning to your retailer, call our customer service department at 1-800-643-0067, 8 a.m. - 8 p.m., EST, Monday - Sunday.

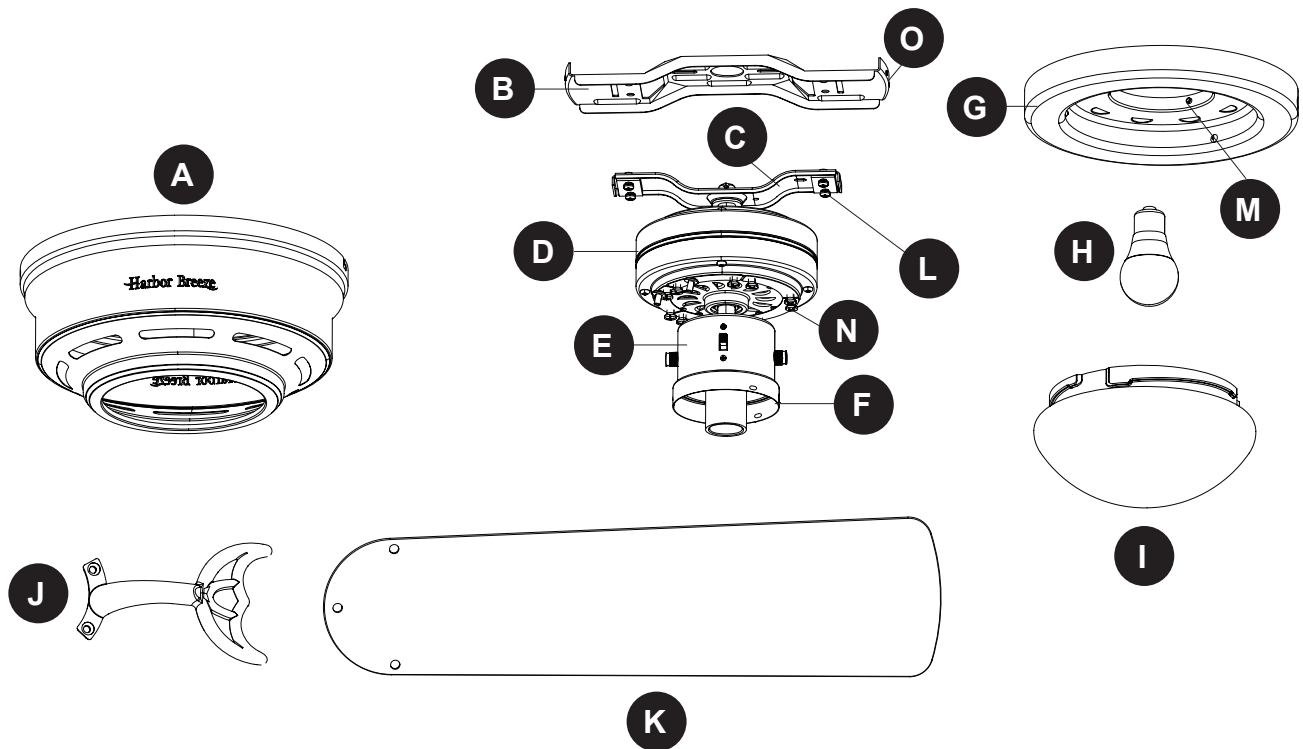
AR19033

## **TABLE OF CONTENTS**

---

Package Contents . . . . .	3
Hardware Contents . . . . .	4
Safety Information . . . . .	5
Preparation . . . . .	6
Initial Installation . . . . .	7
Secondary Hanging System . . . . .	10
Wiring . . . . .	11
Final Installation. . . . .	12
Operating Instructions . . . . .	15
Care and Maintenance . . . . .	16
Troubleshooting. . . . .	16
Limited Lifetime Warranty . . . . .	18
Replacement Parts List . . . . .	19

## PACKAGE CONTENTS



PART	DESCRIPTION	QUANTITY
A	Motor Housing	1
B	Upper Mounting Bracket	1
C	Lower Mounting Bracket (preassembled to Motor [D])	1
D	Motor	1
E	Switch Housing (preassembled to Motor [D])	1
F	Light Kit (preassembled to the Switch Housing [E])	1
G	Light Pan	1
H	Bulb	1
I	Glass Bowl	1
J	Blade Arm	5
K	Blade	5
L	Mounting Bracket Screw (preassembled to Lower Mounting Bracket [C])	4
M	Switch Housing Screws (preassembled to Light Pan [G])	3
N	Motor Screw (preassembled to Motor [D])	10
O	Motor Housing Screw (preassembled to Upper Mounting Bracket [B])	4

**HARDWARE CONTENTS** (shown actual size)

---

**AA**



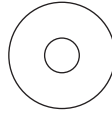
Wire Connector  
Qty. 3 + 1 extra

**BB**



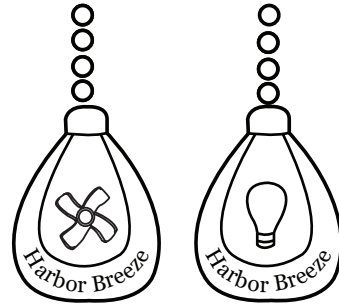
Blade Screw  
Qty. 15 + 1 extra

**CC**



Blade Washer  
Qty. 15 + 1 extra

**DD**



Pull Chain Extension  
Qty. 2

**MM**



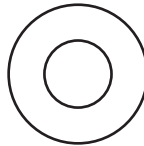
Secondary Spring  
Washer  
Qty. 1

**JJ**



Secondary  
Support Screw  
Qty. 1

**KK**



Support Washer  
Qty. 1

**XX**



Motor Screw  
1 extra



## **SAFETY INFORMATION**

---

Please read and understand this entire manual before attempting to assemble, operate or install the product.

- Before you begin installing the fan, disconnect the power by removing fuses or turning off the circuit breakers.
- Make sure all electrical connections comply with local codes, ordinances, the National Electrical Code and ANSI/NFPA 70-199. Hire a qualified electrician or consult a do-it-yourself wiring handbook if you are unfamiliar with installing electrical wiring.
- Make sure the installation site you choose allows a minimum clearance of 7 ft. from the blades to the floor and at least 30 in. from the end of the blades to any obstruction.
- The net weight of this fan is: 14.18 lbs.



**DANGER:** When using an existing outlet box, make sure the outlet box is securely attached to the building structure and can support the full weight of the fan. Failure to do this can result in serious injury or death. The stability of the outlet box is essential in minimizing wobble and noise in the fan after installation is complete.



**WARNING:** To avoid personal injury, the use of gloves may be necessary while handling fan parts with sharp edges.



**WARNING:** To reduce the risk of fire, electric shock or personal injury, mount the fan to an outlet box marked “ACCEPTABLE FOR FAN SUPPORT” and use the mounting screws provided with the outlet box. Most outlet boxes commonly used for the support of lighting fixtures are not acceptable for fan support and may need to be replaced. Consult a qualified electrician if in doubt. Secure the outlet box directly to the building structure. The outlet box and its support must be able to support the moving weight of the fan (at least 35 lbs.).



**WARNING:** To reduce the risk of fire, electric shock or personal injury, wire connectors provided with this fan are designed to accept only one 12-gauge house wire and two lead wires from the fan. If your house wire is larger than 12 gauges and/or there is more than one house wire to connect to the two fan lead wires, consult an electrician for the proper size wire connectors to use.



**WARNING:** To reduce the risk of fire or electric shock, do not use the fan with any solid-state speed-control device or control the fan speed with a full-range dimmer switch.



**WARNING:** To reduce the risk of fire, electric shock or personal injury, do not bend the blade arms when installing them, balancing the blades or cleaning the fan. Do not insert objects between the rotating fan blades.



**WARNING:** To reduce the risk of personal injury, use only parts provided with this fan. The use of parts OTHER than those provided with this fan will void the warranty.



## **SAFETY INFORMATION**

---

**CAUTION:** Read all instructions and safety information before installing your new fan. Review the accompanying assembly diagrams.

**CAUTION:** Be sure the outlet box is properly grounded or that a ground (green or bare) wire is present.

**CAUTION:** Carefully check all screws, bolts and nuts on the fan motor assembly to ensure they are secured.

CAN ICES-005 (B) / NMB-005 (B)

**CAUTION:** This device complies with Industry Canada license-exempt RSS standard(s). Operation is subject to the following two conditions: (1) this device may not cause interference, and (2) this device must accept any interference, including interference that may cause undesired operation of the device.

## **PREPARATION**

---

Before beginning the assembly of this product, ensure that all parts are present. Compare all parts with the package contents list and hardware contents list. If any part is missing or damaged, do not attempt to assemble the product.

**Estimated Assembly Time:** 120 minutes

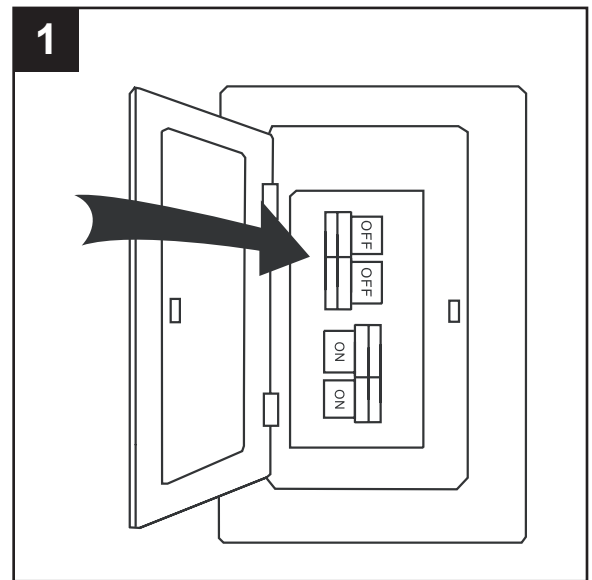
Tools Required for Assembly (not included): Electrical Tape, Phillips Screwdriver, Pliers, Safety Glasses, Step Ladder, Wire Cutters and Wire Strippers

Helpful Tools (not included): AC Tester Light, Tape Measure and Wiring Handbook

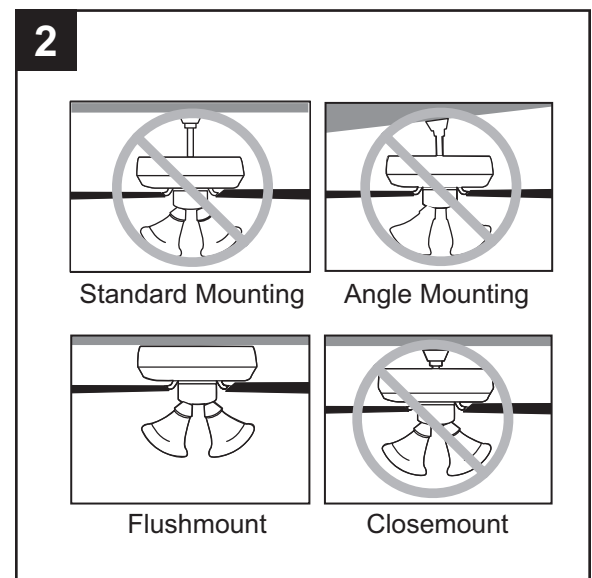
## INITIAL INSTALLATION

1. Turn off the circuit breakers and the wall switch to the fan supply line leads.

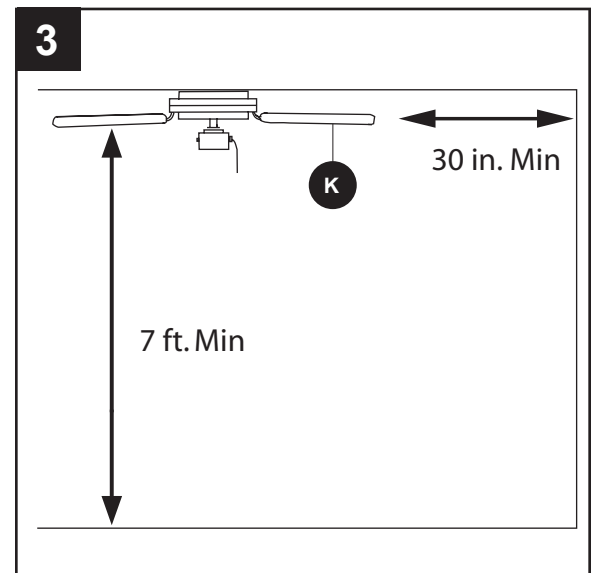
**⚠ DANGER:** Failure to disconnect the power supply prior to installation may result in serious injury or death.



2. This fan is intended for Flushmount installation. Standard Mounting, Angle Mounting, and Closemount installations are not available.



3. Ensure the blades (K) will be at least 30 in. from any obstructions and will be at least 7 ft. above the floor.



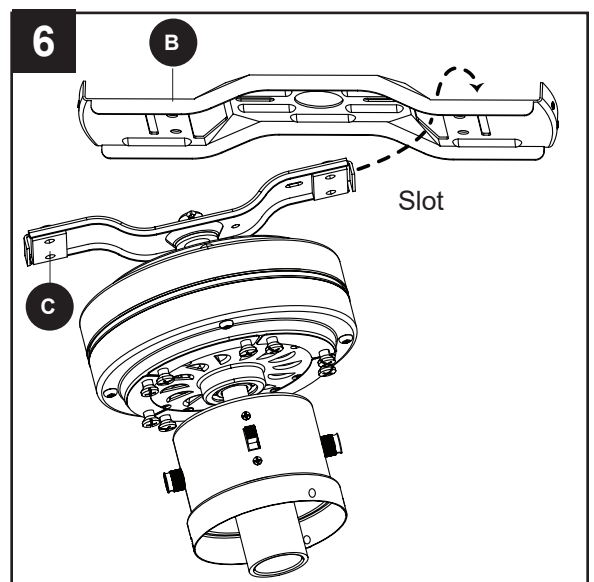
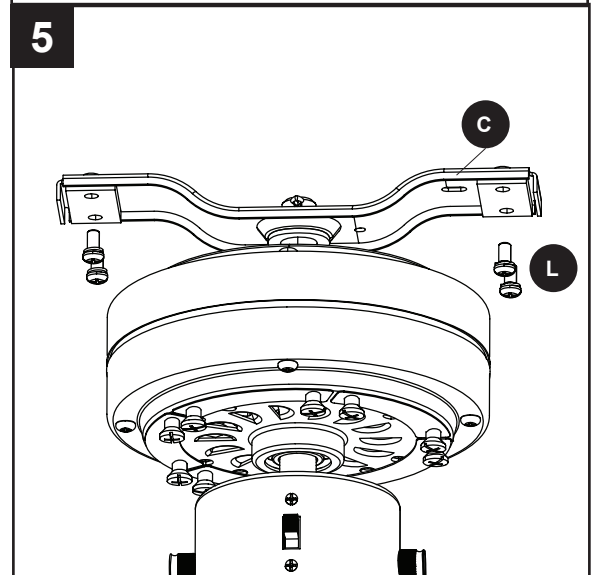
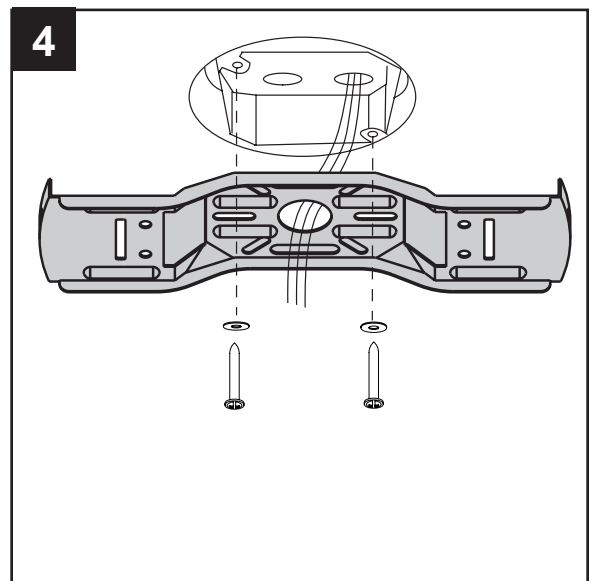
## INITIAL INSTALLATION

- Secure the upper mounting bracket (B) to the outlet box (not included) using screws and washers provided with the outlet box.

**CAUTION:** It is very important that you use the proper hardware when installing the upper mounting bracket (B) as it will support the fan.

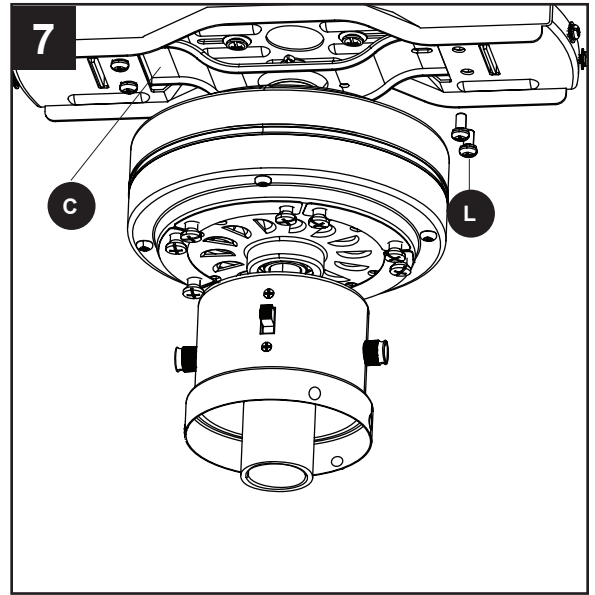
- Remove the mounting bracket screws (L) from underneath the lower mounting bracket (C).

- Place one tab of the lower mounting bracket (C) into a slot in the upper mounting bracket (B), then slide the second tab of the lower mounting bracket (C) into the second slot on the upper mounting bracket (B) until all four holes are in alignment.



## INITIAL INSTALLATION

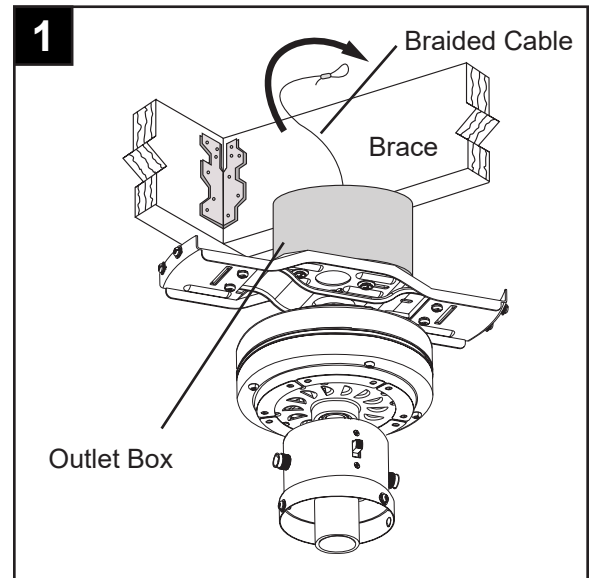
7. Re-install the previously removed mounting bracket screws (L) to secure the lower mounting bracket (C) to the upper mounting bracket (B).



## SECONDARY HANGING SYSTEM

**⚠ WARNING:** Secondary support is required for this product. Failure to follow the steps below could result in property damage and/or person injury.

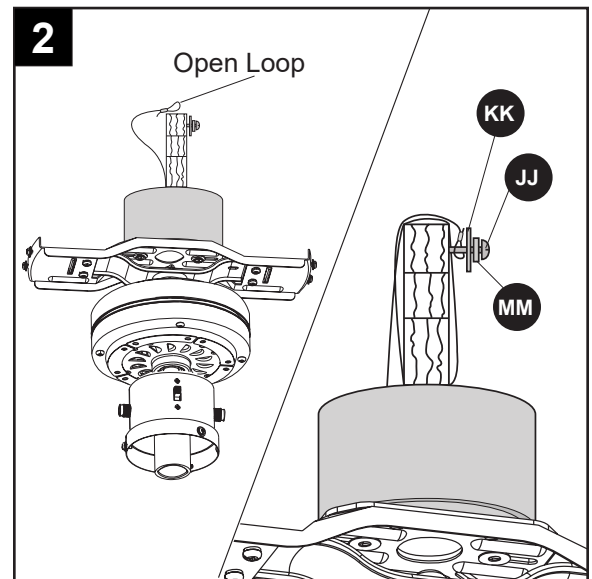
1. Feed the loop of the braided cable, attached to the motor (D), up through the outlet box mounted in the ceiling.




2. Install secondary support screw (JJ), secondary spring washer (MM) and support washer (KK) partly into the side of the brace installed in the ceiling. Then loop the braided cable up and over the ceiling brace and place the open loop of the braided cable around the secondary support screw (JJ).


**Note:** The ceiling support brace may not be accessible from below. If not, it must be accessed from above.

**Important:** The braided cable must make a complete circle around the support brace to secure the fan.



### Hardware Used


**JJ** Secondary Support Screw  x 1

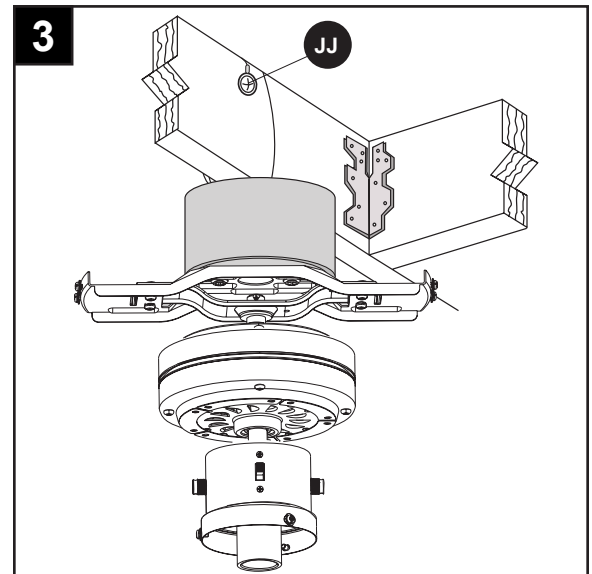
**KK** Support Washer  x 1

**MM** Secondary Spring Washer  x 1

3. Tighten the secondary support screw (JJ), securing the braided cable.

### Hardware Used

**JJ** Secondary Support Screw  x 1



## WIRING

**⚠ WARNING:** To reduce the risk of fire, electrical shock or personal injury, wire connectors provided with this fan are designed to accept only one 12-gauge house wire and two lead wires from the fan. If your house wire is larger than 12-gauge and/or there is more than one house wire to connect to the two fan lead wires, consult an electrician for the proper size wire connectors to use.

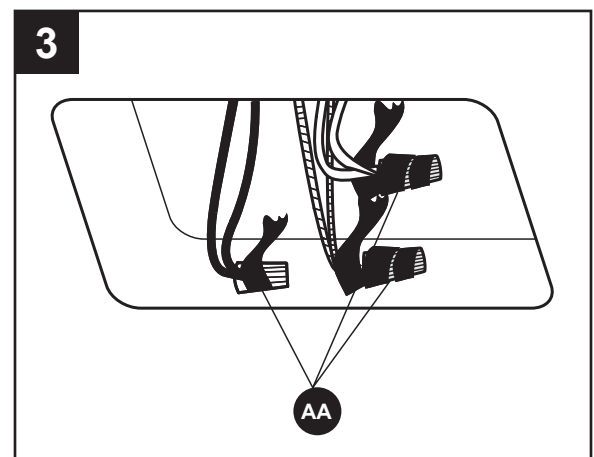
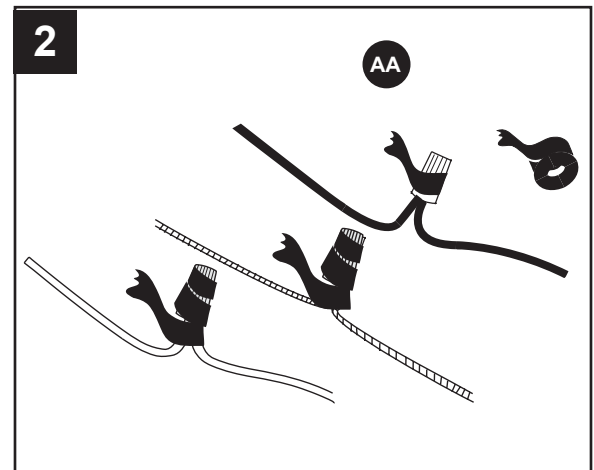
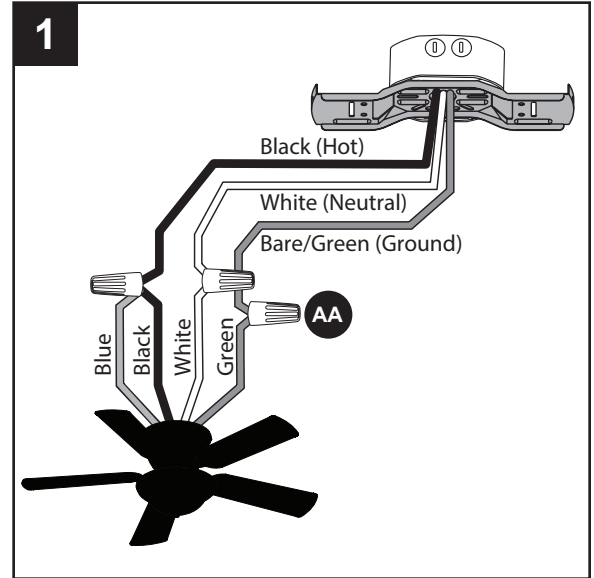
**CAUTION:** Be sure the outlet box is properly grounded or that a Ground (Green or Bare) wire is present.

1. Connect household supply and fan wires according to the diagram and these steps:

- Connect the Green wire from the fan to the Bare/ Green (ground) supply wire.
- Connect the White wire from the fan to the White (neutral) supply wire.
- Connect the Black and Blue wires from the fan to the Black (hot) supply wire.
- Secure all wiring connections together with wire connectors (AA).

**Note:** If there is a second hot/power wire coming from the outlet box, connect it to the blue (light power) fan wire for separate light and fan control.

**Note:** The Black wire is hot power for the fan. The White wire is common for the fan and light kit. The Blue wire is hot power for light. The Green wire is the ground wire. If household supply wires are different colors than referred to above, it is recommended a professional electrician determines the proper wiring.



### Hardware Used

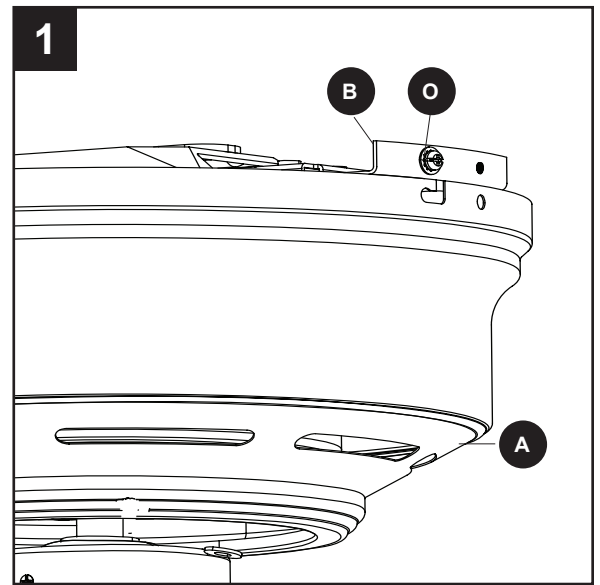
**AA** Wire Connector  x 3

2. Wrap electrical tape (not included) around each individual wire connector (AA) down to the wire.
3. Turn the spliced/taped wires upward and gently push the wires and wire connectors (AA) into the outlet box.

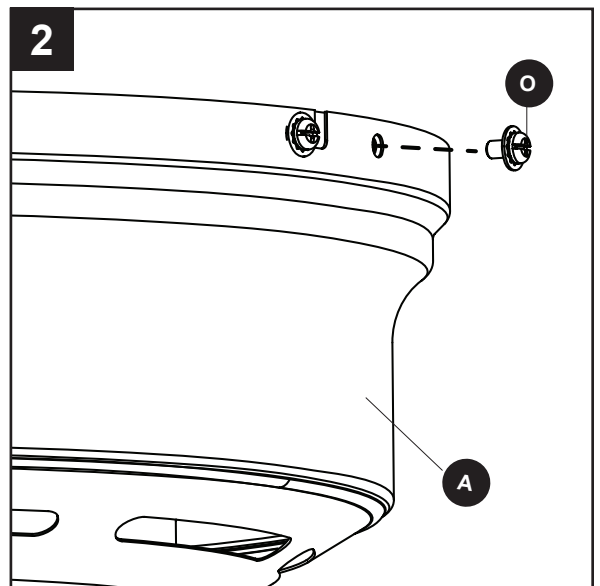
**⚠ WARNING:** Ensure no bare wire or wire strands are visible after making connections. Place the Green and White wire connections on the opposite side of the outlet box from the Black and Blue wire connections.

## FINAL INSTALLATION

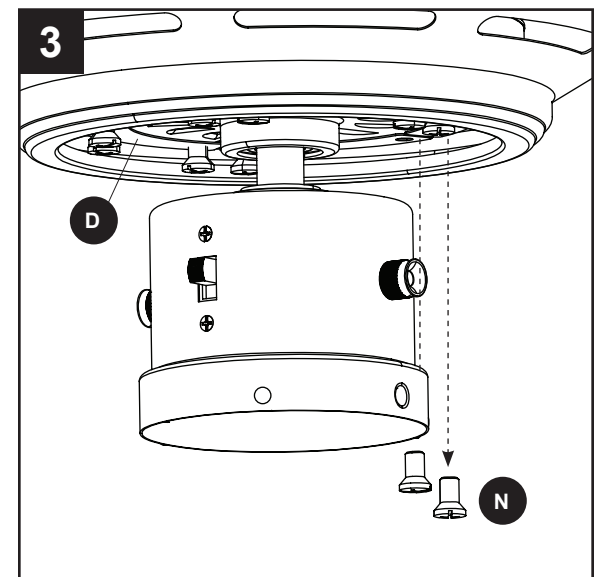
1. Temporarily lift the motor housing (A) to the upper mounting bracket (B) to determine which two motor housing screws (O) preassembled in the sides of the upper mounting bracket (B) align with the slotted holes in the top edge of the motor housing (A). Partially loosen the two motor housing screws (O) that align with the slotted holes. Remove the other two motor housing screws (O) from the upper mounting bracket (B).



2. Slide the motor housing (A) over the motor (D), aligning the slotted holes in the motor housing (A) with the loosened motor housing screws (O) in the upper mounting bracket (B). Twist the motor housing (A) to lock, then re-insert the two previously removed motor housing screws (O) and securely tighten all screws.



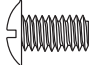
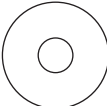
3. Remove the 10 motor screws (N) from the motor (D) and save for later use.



## FINAL INSTALLATION

4. Partially insert the blade screws (BB) along with the blade washers (CC) through the blade (K) and into the blade arm (J). Tighten each blade screw (BB) with a Phillips screwdriver, starting with the one in the middle. Repeat this step for the remaining blades (K) and blade arms (J).

### Hardware Used

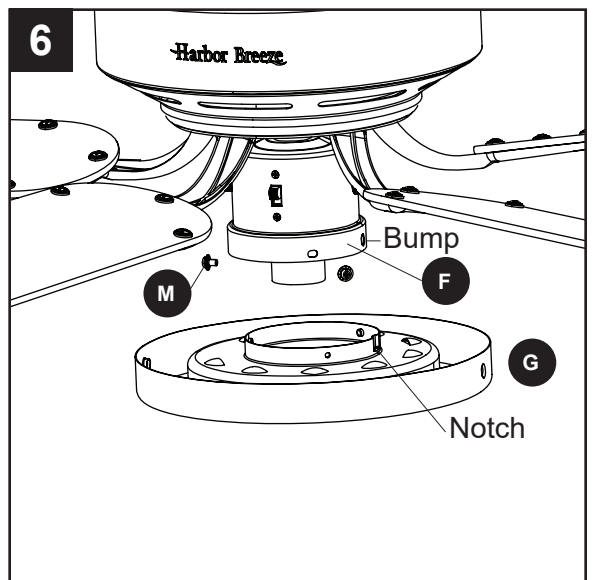
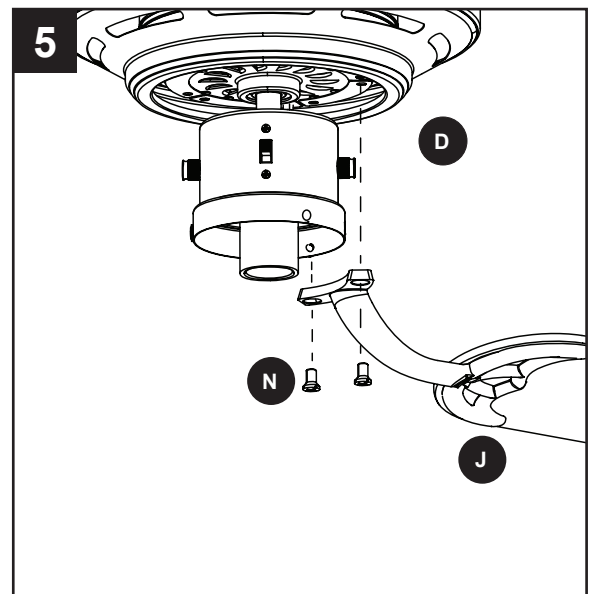
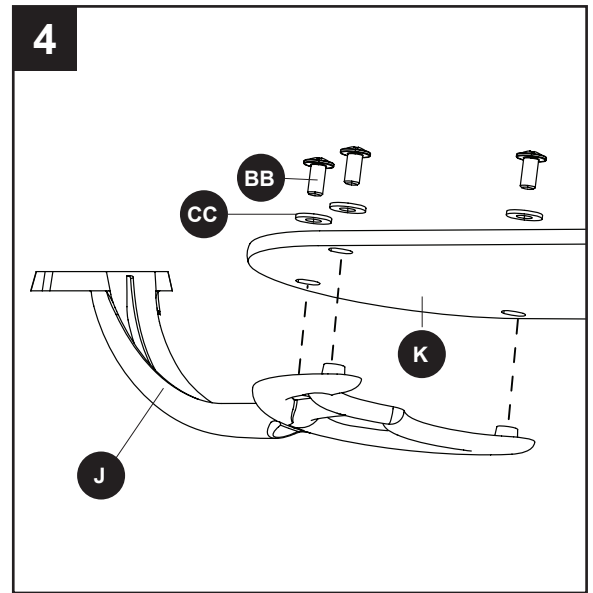
<b>BB</b>	Blade Screw		x 15
<b>CC</b>	Blade Washer		x 15

5. Install the blade arm (J) to the underside of the motor (D) with motor screws (N) previously removed (Step 3, page 12). Tighten with Phillips screwdriver.

Repeat for each blade arm (J).

6. Remove the three preassembled switch housing screws (M) from the light pan (G). Lift the light pan (G) onto the light kit (F) and secure the light pan (G) with the previously removed switch housing screws (M).

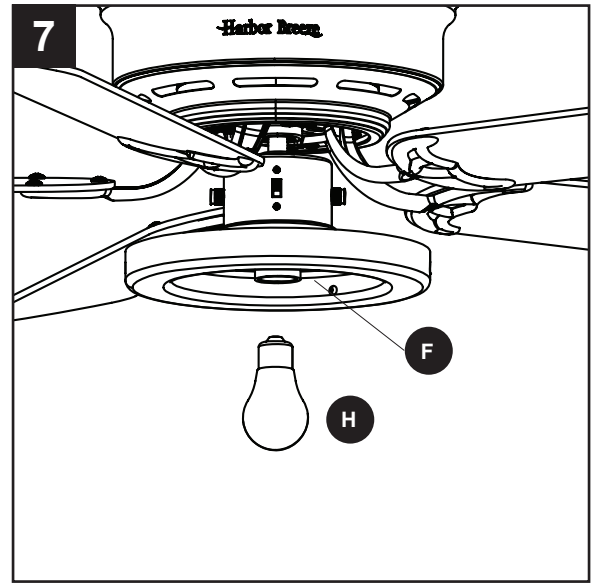
**Note:** Align the notch in the light kit with the bump on the lower edge of the light kit.



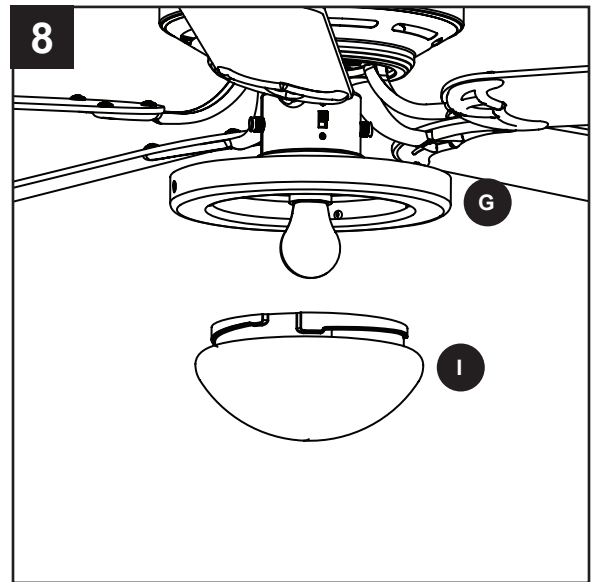
## FINAL INSTALLATION

7. Install the bulb (H) into the socket of the light kit (F).

**Important:** Make sure you allow the bulbs (H) and light kit (F) to cool before you replace the bulbs.

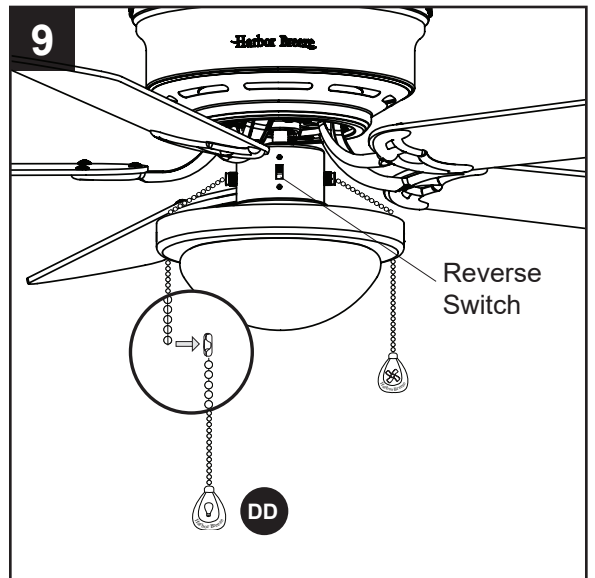


8. Attach the glass bowl (I) to the light pan (G) by twisting the glass bowl (I) in a clockwise direction until it is secure.



9. Attach the pull chain extensions (DD) or custom pull chain extensions (not included) to the fan and light pull chains.

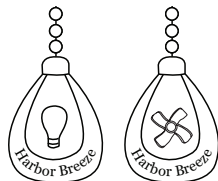
**Note:** When facing the reverse switch, the pull chain for the fan is on the right and the pull chain for the light is on the left.



### Hardware Used

**DD**

Pull Chain  
Extension



x 2

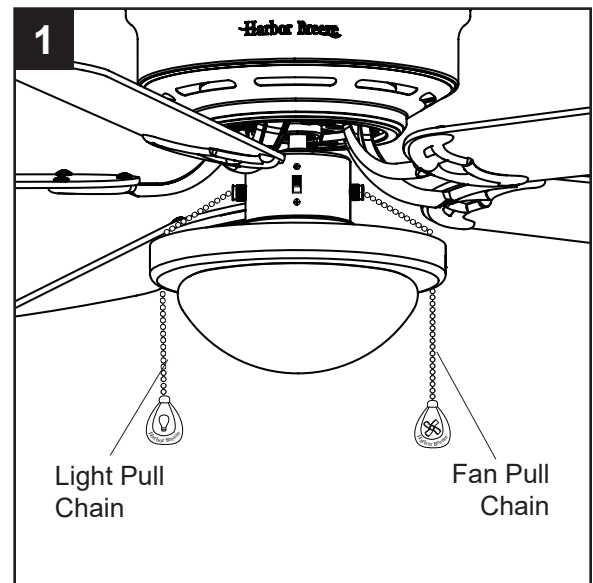
Restore the power at the main fuse or circuit breaker.

**Assembly is complete.**

## OPERATING INSTRUCTIONS

1. The fan pull chain has four positions to control fan speed. One pull is HIGH, two is MEDIUM, three is LOW and four turns the fan OFF.

The light pull chain has two positions to control the light, ON and OFF.



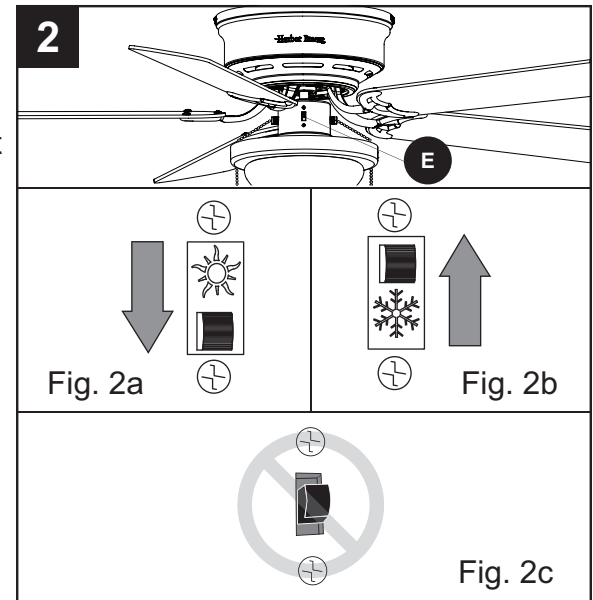
2. Use the fan reverse switch, located on the switch housing (E), to optimize your fan for seasonal performance.

Using a ceiling fan will allow you to raise your thermostat setting in summer and lower your thermostat setting in winter without feeling a difference in your comfort.

2a. **In warmer weather**, push the reverse switch down to display a sun icon, which will result in downward airflow creating a wind chill effect.

2b. **In cooler weather**, push the reverse switch up to display a snowflake icon, which will result in upward airflow that can help move stagnant, hot air off the ceiling area.

**Important:** Wait for the fan to stop before moving the reverse switch. The reverse switch must be set either completely up or down for the fan to function correctly. If the reverse switch is set in the middle position, the fan will not operate (Fig. 2c).



## CARE AND MAINTENANCE

At least twice each year, tighten all screws on the fan. Clean the motor housing with only a soft brush or lint-free cloth to avoid scratching the finish. Clean the blades with a lint-free cloth.

**Bulb Replacement:** Use 60-watt max. E26-base LED, CFL or incandescent bulbs. Halogen bulbs are not recommended for this item.

**Important:** Shut off the main power supply before you begin any maintenance tasks. Do not use water or a damp cloth to clean the ceiling fan.

## TROUBLESHOOTING

PROBLEM	POSSIBLE CAUSE	CORRECTIVE ACTION
The fan does not move.	<ol style="list-style-type: none"><li>1. The power is off or the fuse is blown.</li><li>2. There is a faulty wire connection.</li><li>3. The plugs are not connected properly.</li><li>4. The reverse switch is not completely engaged.</li></ol>	<ol style="list-style-type: none"><li>1. Turn the power on or check the fuse.</li><li>2. Turn the power off. Loosen the canopy and check all connections.</li><li>3. Check that the connectors from the light kit fitter and fan are connected properly.</li><li>4. Push the reverse switch completely up or down.</li></ol>
There is excessive wobbling.	<ol style="list-style-type: none"><li>1. The blades and/or blade arms are loose.</li><li>2. The blades are unbalanced.</li><li>3. The fan mounting is not secure.</li></ol>	<ol style="list-style-type: none"><li>1. Check and tighten all screws that hold the fan blades to the blade arms and the blade arms to the motor.</li><li>2. Switch one blade with a blade from the opposite side. Or balance the fan using a balancing kit (sold separately).</li><li>3. Turn off the power. Loosen the motor housing and verify that the mounting bracket is secure to the electrical outlet box. The bracket must be flush without movement against the outlet box.</li></ol>

## TROUBLESHOOTING

PROBLEM	POSSIBLE CAUSE	CORRECTIVE ACTION
The fan operates correctly, but the lights are not working.	<ol style="list-style-type: none"><li>1. The bulbs are not installed correctly.</li><li>2. The light kit wire plugs are not connected properly.</li><li>3. There is a faulty wire connection.</li></ol>	<ol style="list-style-type: none"><li>1. Re-install the bulb(s).</li><li>2. Ensure that the male and female plugs in the light kit fitter are connected properly.</li><li>3. Turn the power off and check all connections at the ceiling outlet box.</li></ol>
The fan is noisy.	<ol style="list-style-type: none"><li>1. The blades are loose.</li><li>2. There is a cracked blade.</li><li>3. The outlet box is not secure.</li><li>4. The mounting bracket is not secure.</li></ol>	<ol style="list-style-type: none"><li>1. Check and tighten all screws that hold the fan blades to the blade arms and the motor.</li><li>2. Replace the cracked blade.</li><li>3. Ensure the outlet box is secured to the building structure.</li><li>4. Ensure the mounting bracket is secured to the outlet box and that the screws are tight.</li></ol>

## **LIMITED LIFETIME WARRANTY**

---

The manufacturer warrants this fan to be free from defects in workmanship and materials present at time of shipment from the factory for a lifetime from the date of purchase by the original purchaser. The retailer also warrants that all other fan parts, excluding any glass or plastic blades, to be free from defects in workmanship and material at the time of shipment from the factory for a period of one year after the date of purchase by the original purchaser. The manufacturer agrees to correct such defects without charge or at its option replace the ceiling fan with a comparable or superior model.

To obtain warranty service, present a copy of the receipt as proof of purchase. All costs of removing and reinstalling the product are your responsibility. Any damage to any part such as by accident or misuse or improper installation or by affixing any accessories, is not covered by this warranty. The manufacturer assumes no responsibility whatsoever for fan installation during the limited lifetime warranty. Any service performed by an unauthorized person will render the warranty invalid.

Due to varying climate conditions, this warranty does not cover any changes in brass finish, including rusting, pitting, corroding, tarnishing or peeling. Brass finishes of this type give their longest useful life when protected from varying weather conditions. Any glass provided with this fan is not covered by the warranty.

Any replacement of defective parts from the ceiling fan must be reported within the first year from the date of purchase. For the balance of the warranty, call our customer service department for return authorization and shipping instructions so that we may repair or replace the ceiling fan. Any fan or parts returned improperly is the sole responsibility of the purchaser. There is no other expressed warranty. The manufacturer disclaims any and all warranties. The duration of any implied warranty which cannot be disclaimed is limited to the time period as specified in the expressed warranty. The manufacturer shall not be liable for incidental, consequential, or special damages arising out of or in connection with product use or performance except as may otherwise be accorded by law. This warranty gives specific legal rights, and you may also have other rights which vary from state to state.

This warranty supersedes all prior warranties.

**Note:** A small amount of “wobble” is normal and should not be considered a defect.

## REPLACEMENT PARTS LIST

For replacement parts, call the customer service department at 1-800-643-0067, 8 a.m. - 8 p.m., EST, Monday - Sunday.

PART	DESCRIPTION	1607176 43105031 PART #	1607175 43105030 PART #
A	Motor Housing	4L000008830	4L000009970
B	Upper Mounting Bracket	4L000006100	4L000012440
I	Glass Bowl	4L166810001	4L166810001
J	Blade Arm (x 5)	4L073700000	4L073700001
K	Blade (x 5)	4L084870004	4L084870004
HW	Hardware Kit	4L000012620	4L000012610

