

# SUSPENDED PANEL CEILINGS

## IMPORTANT

Before installing the panels and crossbars, open the boxes and allow the material to acclimatize to the room for at least 48 hours.

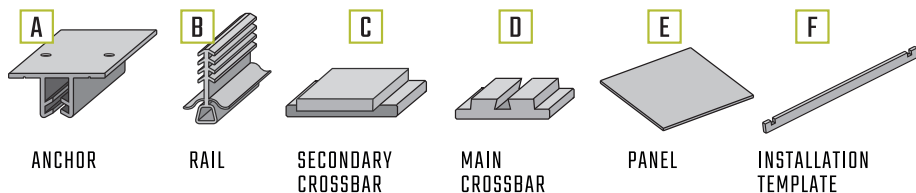
## WARNING

The recommended humidity level for installing an Embassy ceiling is between 45 and 55%. The panels and crossbars are covered with a polypropylene sheet. This material is not completely waterproof but still has good tolerance to moisture when installed in a damp room such as a well-ventilated bathroom, basement or cottage. It is not recommended to install the product in a place where it will be in direct contact with water. We recommend avoiding fitting the panels too tightly along the walls to allow components to expand and contract with changes in humidity levels.

**FOR ROOMS WITH A LARGE CEILING SPACE:** The main crossbars should never be installed over a length greater than 10.668 m (35 ft). If the room is more than 10.668 m (35 ft) in length, then divide it into two or more sections.

The Embassy ceiling system is not recommended for cathedral ceilings with a pitch of more than 4/12. If the joists are made of 2"x 10" or 2"x 8", we recommend to install 5/8" wood strips, to avoid pendulum effect in the joists. This pendulum effect may produce a noise in the ceiling.

PATENT: CA: # 2568300 - # 2754550 - # 2855427 - # 2837410 - # 2855430 - # 2833714 - # 3022306  
US: # 9340876 - # 9670674 - # 9091053 - # 9243405 - # 10557265  
EU: # EP2272226



## INSTALLATION GUIDE



### 01 PREPARE THE INSTALLATION

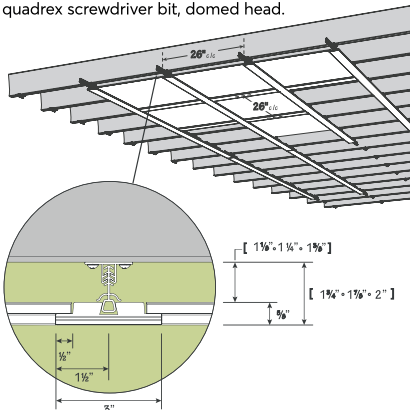
Locate the center of the ceiling space to be covered and use a chalk line to draw the room's center line. Note that the main crossbars (fig. D) must be installed in the opposite direction of the joists.

Next, visualize how the panels will be placed (fig. E) by arranging them on the floor, leaving about a 2" space between each panel. Determine if you have to install the ceiling beginning with centered tiles or centered crossbars.

### 02 INSTALL THE ANCHORS

Starting in the centre of the room, install anchors (fig. A) on every joist using the installation template (fig. F). This template allows you to measure the correct distance between the anchors as well as between the anchors and the wall. Anchors must be installed on EVERY joist. Note that the distance between 2 anchors on the same main crossbar should never exceed 24". If the joists are not level, add furring strips to level.

We recommend using #8, 1" wood screws, square or quadrex screwdriver bit, domed head.

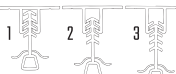


### 03 INSTALL THE RAILS

Now slide the rails (fig. B) into the main crossbars (fig. D).

You will need **6 rails** per full length main crossbar.

Because the rails have to support the weight of the ceiling, it is important to always use the required number of rails and **not cut them**.



The rail and anchor system allows you to slightly level your ceiling if needed. Note that it is not recommended to install your entire ceiling on the last level of the rail (3). For a safe and secure installation, the rail must be on the first two levels.

### 04 INSTALL THE MAIN CROSSBARS

You can now install the main crossbars (fig. D) by sliding the rails (fig. B) into the anchors (fig. A) that have been secured to the joists across the entire span of the room. To avoid any pendulum effects during installation, we recommend that you install the main crossbars followed by 1 or 2 rows of secondary crossbars (fig. C), including any cut crossbars. To fit the crossbars together use the tongue & groove portions and slide a rail into place at every joint.

### 05 INSTALL THE TILES AND SECONDARY CROSSBARS

Add the panels (fig. E) and secondary crossbars (fig. C) by starting in the center of the room and alternating on either side.

### FINISHING ALONG SIDE WALLS

- Secure the last row of main crossbars against the wall.
- Measure the length needed between the last main crossbar and the wall, and the previous one, and cut your secondary crossbar accordingly. It is important to make a tight cut in order to solidify the whole structure, to reduce the movements of components.
- When cutting the last row of panels for the open spaces along side walls, avoid fitting them too tightly. Leaving a space between the panel and the secondary crossbar will allow the MDF to adjust to the humidity level.
- Because you have cut one end of a secondary crossbar, you will have to add a tenon so it can be inserted between the last two main crossbars.

### SPECIAL SITUATIONS

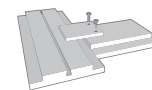
#### Installing recessed spot lights

Most recessed spot lights are designed to be installed on standard suspended ceiling panels or on drywall that is 1/2" thick. Since Embassy panels are 1/4" thick, we suggest using panel cut-offs (such as those from making the holes) to create a 1/2" inch layer of MDF placed under the tightening brackets of the spot lights.



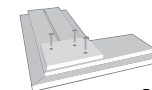
#### How to create a tenon when cutting a secondary crossbar

Use a 2" x 3" inch cut-off of a panel and attach it to the raw MDF side of the cut end of the secondary crossbar. This will allow the cut off piece to reach the highest part of the main crossbar.



#### How to create an outside corner\*

To make an outside corner, cut the end of your main crossbar and secondary crossbar at 45 degree angles. Attach a panel cut-off where the two crossbars meet at the 45 degree angle to hold and secure the joint.



## e CUSTOMER SERVICE AND TECHNICAL SUPPORT

365, 6th Street, Daveluyville, QC G0Z 1C0  
info@embassyinc.ca | embassyceiling.com

## EASY AS EMBASSY

INSTALLATION VIDEOS

