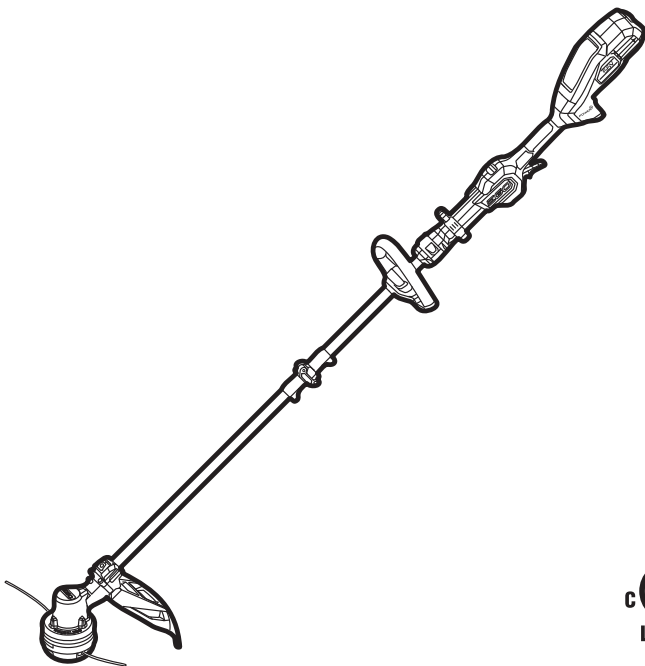


# EGO™

POWER<sup>+</sup> STRING TRIMMER



OPERATOR'S MANUAL

## 56-VOLT LITHIUM-ION CORDLESS 16" STRING TRIMMER

Français p. 39

Español p. 81

MODEL NUMBER

ST1610T/ST1610T-FC/ST1611T

**⚠ WARNING:** To reduce the risk of injury, the user must read and understand the Operator's Manual before using this product. Save these instructions for future reference.

# READ ALL INSTRUCTIONS!



READ & UNDERSTAND  
OPERATOR'S MANUAL

## TABLE OF CONTENTS

Safety Symbols . . . . .	3
Symbols . . . . .	4-5
Important Safety Instructions . . . . .	6-11
Introduction . . . . .	12
Specifications . . . . .	12
Packing List . . . . .	13
Description . . . . .	14-16
Assembly . . . . .	17-21
Operation . . . . .	22-29
Maintenance . . . . .	30-33
Troubleshooting . . . . .	34-36
EGO Limited Warranty . . . . .	37-38

# SAFETY SYMBOLS

The purpose of safety symbols is to attract your attention to possible dangers. The safety symbols and the explanations with them deserve your careful attention and understanding. The symbol warnings do not, by themselves, eliminate any danger. The instructions and warnings they give are no substitutes for proper accident prevention measures.

**⚠ WARNING:** Be sure to read and understand all safety instructions in this Operator’s Manual, including all safety alert symbols such as “**DANGER**”, “**WARNING**”, and “**CAUTION**” before using this machine. Failure to follow all instructions listed below may result in electric shock, fire, and/or serious personal injury.

The definitions below describe the level of severity for each signal word. Please read the manual and pay attention to these symbols.

	<p>This is the safety alert symbol. It is used to alert you to potential personal injury hazards. Obey all safety messages that follow this symbol to avoid possible injury or death.</p>
	<p>DANGER indicates a hazardous situation which, if not avoided, will result in death or serious injury.</p>
	<p>WARNING indicates a hazardous situation which, if not avoided, could result in death or serious injury.</p>
	<p>CAUTION, used with the safety alert symbol, indicates a hazardous situation which, if not avoided, will result in minor or moderate injury.</p>

## DAMAGE PREVENTION AND INFORMATION MESSAGES

These inform the user of important information and/or instructions that could lead to equipment or other property damage if they are not followed. Each message is preceded by the word “NOTICE”, as in the example below:

**NOTICE:** Equipment and/or property damage may result if these instructions are not followed.

## SYMBOLS

This page depicts and describes safety symbols that may appear on this product. Read, understand, and follow all instructions on the machine before attempting to assemble and operate it.

	Safety Alert	Indicates a potential personal injury hazard.
	Read & Understand Operator's Manual	To reduce the risk of injury, user must read and understand the operator's manual before using this product.
	Wear Eye Protection	Always wear safety goggles or safety glasses with side shields and a full face shield when operating this product.
	Recycle Symbol	This product uses lithium-ion (Li-Ion) batteries. Local, state, or federal laws may prohibit disposal of batteries in ordinary trash. Consult your local waste authority for information regarding available recycling and/or disposal options.
	Beware of thrown objects	Alerts user to beware of thrown objects
	Disconnect battery before maintenance	Alerts user to disconnect battery before maintenance.
	Wear ear protection	Alerts user to wear ear protection
	Wear head protection	Alerts user to wear head protection

	<p>The distance between the machine and bystanders shall be at least 50 ft (15 m)</p>	<p>Alerts user to keep the distance between the machine and bystanders be at least 50 ft (15 m)</p>
	<p>Do not use metal blades</p>	<p>Alerts user not to use metal blades</p>
<p>IP...</p>	<p>Ingress Protection (IP) Rating</p>	<p>Classifies the degree of protection provided by an enclosure, for electrical equipment</p>
<p>V</p>	<p>Volt</p>	<p>Voltage</p>
<p>mm</p>	<p>Millimeter</p>	<p>Length or size</p>
<p>cm</p>	<p>Centimeter</p>	<p>Length or size</p>
<p>in.</p>	<p>Inch</p>	<p>Length or size</p>
<p>kg</p>	<p>Kilogram</p>	<p>Weight</p>
<p>lb</p>	<p>Pound</p>	<p>Weight</p>
	<p>Direct Current</p>	<p>Type or a characteristic of current</p>
<p>RPM</p>	<p>Revolutions Per Minute</p>	<p>Rotational speed</p>
<p>.../min</p>	<p>Revolutions or reciprocation per minute</p>	<p>Revolutions, strokes, surface speed orbits, etc. per minute</p>

# IMPORTANT SAFETY INSTRUCTIONS

## General Battery-operated Machine Safety Warnings

**⚠ WARNING:** Read all safety warnings, instructions, illustrations and specifications provided with this machine. Failure to follow all instructions listed below may result in electric shock, fire and/or serious injury.

### SAVE ALL WARNINGS AND INSTRUCTIONS FOR FUTURE REFERENCE.

The term “machine” in the warnings refers to your mains-operated (corded) machine or battery-operated (cordless) machine.

## Work area safety

- **Keep work area clean and well lit.** Cluttered or dark areas invite accidents.
- **Do not operate machines in explosive atmospheres, such as in the presence of flammable liquids, gases or dust.** Machines create sparks which may ignite the dust or fumes.
- **Keep children and bystanders away while operating a machine.** Distractions can cause you to lose control.

## Electrical safety

- **Machine plugs must match the outlet. Never modify the plug in any way. Do not use any adapter plugs with earthed (grounded) machines.** Unmodified plugs and matching outlets will reduce risk of electric shock.
- **Avoid body contact with earthed or grounded surfaces, such as pipes, radiators, ranges and refrigerators.** There is an increased risk of electric shock if your body is earthed or grounded.
- **Do not operate the machine in rain or wet conditions.** Water entering the machine may increase the risk of electric shock or malfunction that could result in personal injury.
- **Do not abuse the cord. Never use the cord for carrying, pulling or unplugging the machine. Keep cord away from heat, oil, sharp edges or moving parts.** Damaged or entangled cords increase the risk of electric shock.
- **When operating a machine outdoors, use an extension cord suitable for outdoor use.** Use of a cord suitable for outdoor use reduces the risk of electric shock.

- **If operating a machine in a damp location is unavoidable, use a ground fault circuit interrupter (GFCI) protected supply.** Use of a GFCI reduces the risk of electric shock.

## Personal safety

- **Stay alert, watch what you are doing and use common sense when operating a machine. Do not use a machine while you are tired or under the influence of drugs, alcohol or medication.** A moment of inattention while operating machines may result in serious personal injury.
- **Use personal protective equipment. Always wear eye protection.** Protective equipment such as a dust mask, non-skid safety shoes, hard hat or hearing protection used for appropriate conditions will reduce personal injuries.
- **Prevent unintentional starting. Ensure the switch is in the off-position before connecting to power source and/or battery pack, picking up or carrying the machine.** Carrying machines with your finger on the switch or energizing machines that have the switch on invites accidents.
- **Remove any adjusting key or wrench before turning the machine on.** A wrench or a key left attached to a rotating part of the machine may result in personal injury.
- **Do not overreach. Keep proper footing and balance at all times.** This enables better control of the machine in unexpected situations.
- **Dress properly. Do not wear loose clothing or jewelry. Keep your hair and clothing away from moving parts.** Loose clothes, jewelry or long hair can be caught in moving parts.
- **If devices are provided for the connection of dust extraction and collection facilities, ensure these are connected and properly used.** Use of dust collection can reduce dust-related hazards.
- **Do not let familiarity gained from frequent use of machines allow you to become complacent and ignore machine safety principles.** A careless action can cause severe injury within a fraction of a second.

## Machine use and care

- **Do not force the machine. Use the correct machine for your application.** The correct machine will do the job better and safer at the rate for which it was designed.

- **Do not use the machine if the switch does not turn it on and off.** Any machine that cannot be controlled with the switch is dangerous and must be repaired.
- **Disconnect the plug from the power source and/or remove the battery pack, if detachable, from the machine before making any adjustments, changing accessories, or storing machines.** Such preventive safety measures reduce the risk of starting the machine accidentally.
- **Store idle machines out of the reach of children and do not allow persons unfamiliar with the machine or these instructions to operate the machine.** Machines are dangerous in the hands of untrained users.
- **Maintain machines and accessories. Check for misalignment or binding of moving parts, breakage of parts and any other condition that may affect the machine's operation. If damaged, have the machine repaired before use.** Many accidents are caused by poorly maintained machines.
- **Keep cutting machines sharp and clean.** Properly maintained cutting machines with sharp cutting edges are less likely to bind and are easier to control.
- **Use the machine, accessories and machine bits etc. in accordance with these instructions, taking into account the working conditions and the work to be performed.** Use of the machine for operations different from those intended could result in a hazardous situation.
- **Keep handles and grasping surfaces dry, clean and free from oil and grease.** Slippery handles and grasping surfaces do not allow for safe handling and control of the machine in unexpected situations.

## Battery machine use and care

- **Recharge only with the charger specified by the manufacturer.** A charger that is suitable for one type of battery pack may create a risk of fire when used with another battery pack.
- **Use machines only with specifically designated battery packs.** Use of any other battery packs may create a risk of injury and fire.
- **When battery pack is not in use, keep it away from other metal objects, like paper clips, coins, keys, nails, screws or other small metal objects, that can make a connection from one terminal to another.** Shorting the battery terminals together may cause burns or a fire.
- **Under abusive conditions, liquid may be ejected from the battery; avoid contact. If contact accidentally occurs, flush with water. If liquid contacts eyes, additionally seek medical help.** Liquid ejected from the battery may cause irritation or burns.

- **Do not use a battery pack or machine that is damaged or modified.**  
Damaged or modified batteries may exhibit unpredictable behavior resulting in fire, explosion or risk of injury.
- **Do not expose a battery pack or machine to fire or excessive temperature.**  
Exposure to fire or temperature above 265 °F (130 °C) may cause explosion.
- **Follow all charging instructions and do not charge the battery pack or machine outside the temperature range specified in the instructions.**  
Charging improperly or at temperatures outside the specified range may damage the battery and increase the risk of fire.

## SERVICE

- **Have your machine serviced by a qualified repair person using only identical replacement parts.** This will ensure that the safety of the machine is maintained.
- **Never service damaged battery packs.** Service of battery packs should only be performed by the manufacturer or authorized service providers.

## String trimmer safety warnings

- **Do not use the machine in bad weather conditions, especially when there is a risk of lightning.** This decreases the risk of being struck by lightning.
- **Thoroughly inspect the area for wildlife where the machine is to be used.**  
Wildlife may be injured by the machine during operation.
- **Thoroughly inspect the area where the machine is to be used and remove all stones, sticks, wires, bones, and other foreign objects.** Thrown objects can cause personal injury.
- **Before using the machine, always visually inspect to see that the cutter or blade and the cutter or blade assembly are not damaged.** Damaged parts increase the risk of injury.
- **Follow instructions for changing accessories.** Improperly tightened blade securing nuts or bolts may either damage the blade or result in it becoming detached.
- **Wear eye, ear, head and hand protection.** Adequate protective equipment will reduce personal injury by flying debris or accidental contact with the cutting line or blade.
- **While operating the machine, always wear non-slip and protective footwear. Do not operate the machine when barefoot or wearing open sandals.** This

reduces the chance of injury to the feet from contact with the moving cutters or lines

- **While operating the machine, always wear long trousers.** Exposed skin increases the likelihood of injury from thrown objects.
- **Keep bystanders away while operating the machine.** Thrown debris can result in serious personal injury.
- **Always use two hands when operating the machine.** Holding the machine with both hands will avoid loss of control.
- **Hold the machine by the insulated gripping surfaces only, because the cutting line or blade may contact hidden wiring.** Cutting line or blades contacting a "live" wire may make exposed metal parts of the machine "live" and could give the operator an electric shock
- **Always keep proper footing and operate the machine only when standing on the ground.** Slippery or unstable surfaces may cause a loss of balance or control of the machine.
- **Do not operate the machine on excessively steep slopes.** This reduces the risk of loss of control, slipping and falling which may result in personal injury.
- **When working on slopes, always be sure of your footing, always work across the face of slopes, never up or down and exercise extreme caution when changing direction.** This reduces the risk of loss of control, slipping and falling which may result in personal injury.
- **Keep all parts of the body away from the cutter, line or blade when the machine is operating. Before you start the machine, make sure the cutter, line or blade is not contacting anything.** A moment of inattention while operating the machine may result in injury to yourself or others.
- **Do not operate the machine above waist height.** This helps prevent unintended cutter or blade contact and enables better control of the machine in unexpected situations.
- **When cutting brush or saplings that are under tension, be alert for spring back.** When the tension in the wood fibres is released, the brush or sapling may strike the operator and/or throw the machine out of control.
- **Use extreme caution when cutting brush and saplings.** The slender material may catch the blade and be whipped toward you or pull you off balance.
- **Maintain control of the machine and do not touch cutters, lines or blades and other hazardous moving parts while they are still in motion.** This reduces the risk of injury from moving parts.

- **When clearing jammed material or servicing the machine, make sure the switch is off and the battery pack is removed.** Unexpected starting of the machine while clearing jammed material or servicing may result in serious personal injury.
- **Carry the machine with the machine switched off and away from your body.** Proper handling of the machine will reduce the likelihood of accidental contact with a moving cutter, line or blade
- **Only use replacement cutters, lines, cutting heads and blades specified by the manufacturer.** Incorrect replacement parts may increase the risk of breakage and injury.
- **Damage to Trimmer - If you strike a foreign object with the trimmer or it becomes entangled, stop the machine immediately, check for damage and have any damage repaired before further operation is attempted.** Do not operate with a broken guard or spool.
- **If the equipment should start to vibrate abnormally, stop the motor and check immediately for the cause. Vibration is generally a warning of trouble. A loose head may vibrate, crack, break or come off the trimmer, which may result in serious or fatal injury. Make sure that the cutting attachment is properly fixed in position.** If the head loosens after fixing it in position, replace it immediately. Never use a trimmer with a loose cutting attachment.
- **Use only with the battery packs and chargers listed below:**

BATTERY PACK	CHARGER
BA1400, BA1400-FC, BA2800, BA2800-FC, BA4200, BA4200-FC, BA1400T, BA1400T-FC, BA2242T, BA2242T-FC, BA2800T, BA2800T-FC, BA3360T, BA3360T-FC, BA4200T, BA4200T-FC, BA4480T, BA4480T-FC, BA5600T, BA5600T-FC, BA6720T, BA6720T-FC	CH2100, CH2100-FC, CH3200, CH3200-FC, CH5500, CH5500-FC, CH2800D, CH2800D-FC, CH7000, CH7000-FC, CH7000T, CH7000T-FC

**NOTE:** The machine must be used with EGO backpack link BH1001/BH1001-FC when using the EGO Battery pack 6.0 Ah or higher capacity.

**SAVE THESE INSTRUCTIONS!**



## INTRODUCTION


Congratulations on your selection of the new EGO POWER+ 56V Lithium-ion string trimmer. It has been designed, engineered and manufactured to give you the best possible dependability and performance.

Should you experience any problem you cannot easily remedy, please contact EGO customer service 1-855-EGO-5656.

This manual contains important information on the safe assembly, operation and maintenance of your string trimmer. Read it carefully before using the string trimmer. Keep this manual handy so you can refer to it at any time.

SERIAL NUMBER \_\_\_\_\_ DATE OF PURCHASE \_\_\_\_\_  
YOU SHOULD RECORD BOTH SERIAL NUMBER AND DATE OF PURCHASE AND KEEP IN A SAFE PLACE FOR FUTURE REFERENCE

## SPECIFICATIONS

Voltage	56 V 
No-load speed	Low: 4800/min (RPM)
	High: 6000/min (RPM)
Cutting Mechanism	Bump Head
Line-loading Mechanism	Motor Driven
Cutting Line Type	0.095 in. (2.4 mm) nylon twist line
Cutting Width	16 in. (40 cm)
Ingress Protection Rating	IPX4* (Protected from splashing water)
Operating Temperature	32°F – 104°F (0°C – 40°C)
Storage Temperature	-4°F – 158°F (-20°C – 70°C)
Net Weight (including the guard)	7.5 lbs. (3.4 kg)

\* **NOTE:** IPX4 rating is based on the machine and battery being used together as a system.

## RECOMMENDED ACCESSORIES

PART NAME	MODEL NUMBER
Cutting Line	AL2420P/AL2450S/AL2420PD/AL2420PB/AL2470B

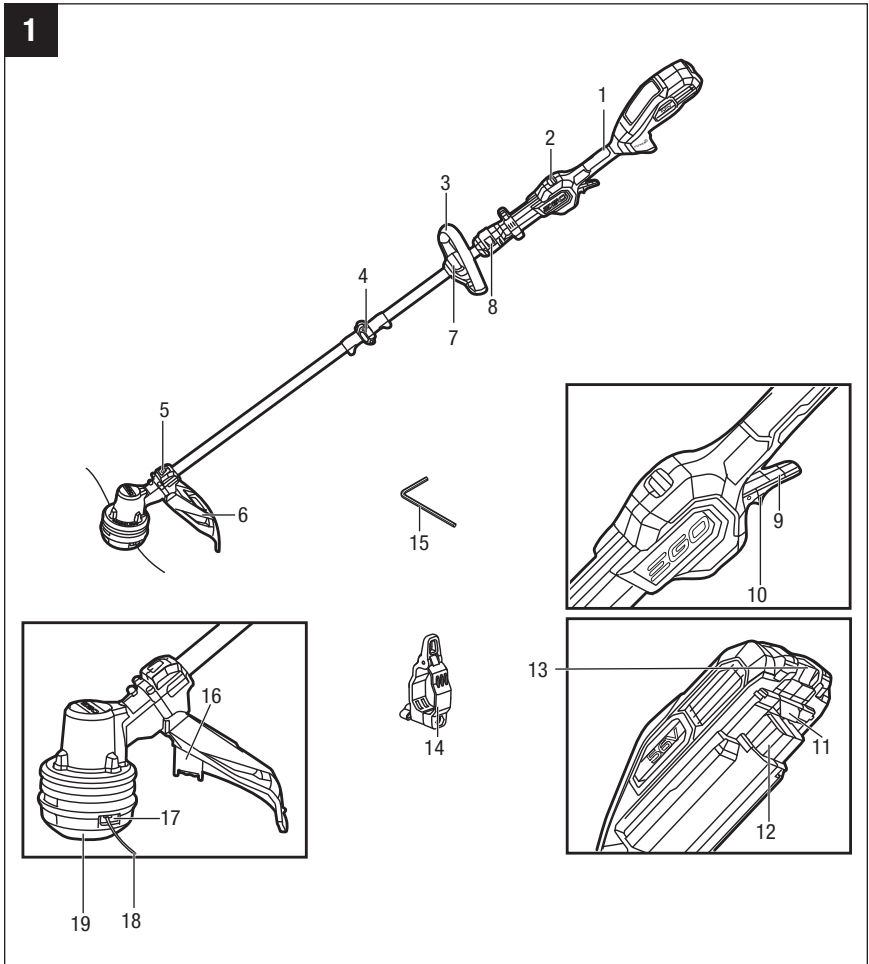
## PACKING LIST

PART NAME	QUANTITY
String Trimmer	1
Bolt for Locking shaft	1
Guard (with two screws preassembled on the guard)	1
Quick-Adjustable Front Handle Assembly	1
Hex Key	1
Cutting Line	1
Shoulder Strap Loop	1
Operator's Manual	1

# DESCRIPTION

## KNOW YOUR STRING TRIMMER (Fig. 1)

The safe use of this product requires an understanding of the information on the machine and in this operator's manual, as well as knowledge of the project you are attempting. Before using this product, familiarize yourself with all operating features and safety rules.



- |                                  |                              |
|----------------------------------|------------------------------|
| 1. Rear Handle                   | 11. Latch                    |
| 2. High/Low-speed Switch         | 12. Ejection Mechanism       |
| 3. Quick-Adjustable Front Handle | 13. Battery release Button   |
| 4. Hinge                         | 14. Shoulder Strap Loop      |
| 5. POWERLOAD™ Button             | 15. Hex Key                  |
| 6. Guard                         | 16. Line-cutting Blade       |
| 7. Quick-release Lever           | 17. Release Tab              |
| 8. Height-Locking Clamp          | 18. Cutting Line             |
| 9. Variable Speed Trigger        | 19. Trimmer Head (Bump Head) |
| 10. Lock-off Trigger             |                              |

**⚠ WARNING:** Never operate the machine without the guard firmly in place. The guard must always be on the machine to protect the user.

## **QUICK-ADJUSTABLE FRONT HANDLE**

For easy control of the trimmer during cutting.

## **REAR HANDLE**

Ergonomic handle with overmold improves comfort and grip.

## **VARIABLE SPEED TRIGGER**

Turns the string trimmer On and Off.

## **LOCK-OFF SWITCH**

Helps to prevent accidental activation of the trigger. It must be depressed before the variable speed trigger can be activated.

## **SHOULDER STRAP LOOP**

For attaching the shoulder strap.

## **HIGH/LOW-SPEED SWITCH**

Switches between high and low cutting speed ranges for different tasks, as needed.

## **SPEED INDICATOR**

Displays the current cutting speed.

## **GUARD**

Reduces the risk of injury from foreign objects being flung backwards toward the operator and from contact with the cutting attachment.

## **LINE-CUTTING BLADE**

Steel blade on the guard that maintains the cutting line at the proper length.

## **HEIGHT-LOCKING CLAMP**

The handle can be quickly adjusted to accommodate any size person, helping to ensure an ideal, comfortable working height.

## **TRIMMER HEAD (BUMP HEAD)**

Stores the cutting line and releases the cutting line when the head is lightly tapped on firm ground during operation.

## **POWERLOAD™ BUTTON**

Used to automatically wind the cutting line into the trimmer head.

## **HINGE**

Connects and locks the two foldable shafts.

## **BATTERY-RELEASE BUTTON**

Releases the battery pack from the machine.

## **LATCH**

Secures the battery pack to the machine.

## **EJECTION MECHANISM**

Aids in battery removal.

## ASSEMBLY

**⚠ WARNING:** If any parts are damaged or missing, do not operate this product until the parts are replaced. Use of this product with damaged or missing parts could result in serious personal injury.

**⚠ WARNING:** Do not attempt to modify this product or create accessories not recommended for use with this product. Any such alteration or modification is misuse and could result in a hazardous condition leading to possibly serious personal injury.

**⚠ WARNING:** Always wear heavy gloves when doing any maintenance on the blade. Be careful of the blade and protect your hands from being injured by the blade.

**⚠ WARNING:** To prevent accidental starting that could cause serious personal injury, always remove the battery pack from the machine when assembling parts, making adjustments, cleaning, or when not in use.

## UNPACKING

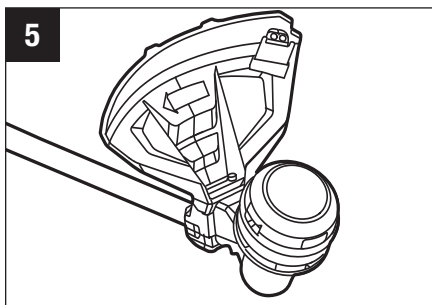
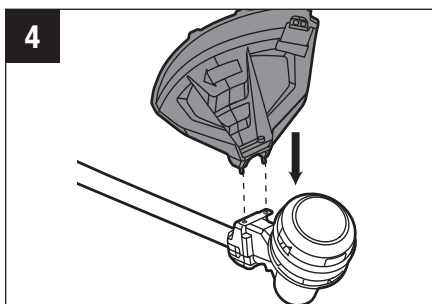
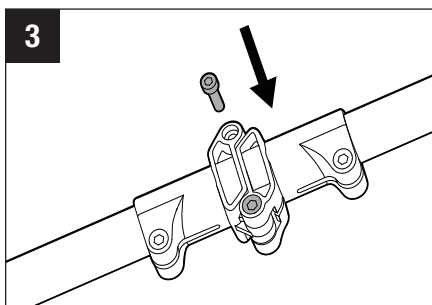
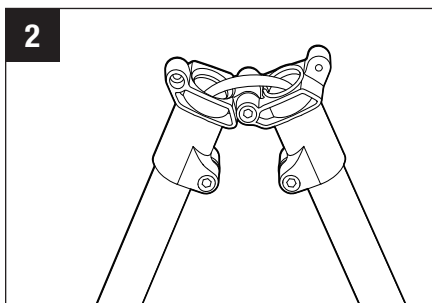
- This product requires assembly.
- Carefully remove the product and any accessories from the box. Make sure that all items listed in the packing list are included.
- Inspect the machine carefully to make sure that no breakage or damage occurred during shipping
- Do not discard the packing material until you have carefully inspected and satisfactorily operated the machine.
- If any parts are damaged or missing, please return the product to the place of purchase.

## UNFOLDING THE SHAFT

**⚠ WARNING:** In order to avoid pinching your hands or fingers, do not hold the shaft at the joint.

**⚠ WARNING:** Do not attempt to start the trimmer until the shaft has been locked.

1. Remove the battery pack from the trimmer.
2. Put your trimmer on the ground or the floor and make sure that the cable is inside the shaft, so that it will not be pinched when closing the hinge. Carefully unfold the shaft until the two holes in the hinge are accurately aligned (Fig. 2).
3. Insert the bolt (supplied) and tighten it with the supplied hex key to lock the shaft in place (Fig. 3).



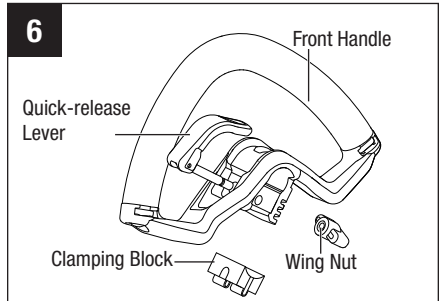
## MOUNTING THE GUARD

**⚠ WARNING:** Always wear gloves when mounting or replacing the guard. Be careful of the blade on the guard and protect your hands from being injured by the blade.

1. Remove the battery pack from the trimmer.
2. Lay the trimmer on the ground or the floor with the trimmer head facing upward.
3. Align the two screws, which are preassembled on the guard, with the two screw holes in the shaft (Fig. 4), and then tighten them with the supplied hex key (Fig. 5).

## MOUNTING AND ADJUSTING THE FRONT HANDLE

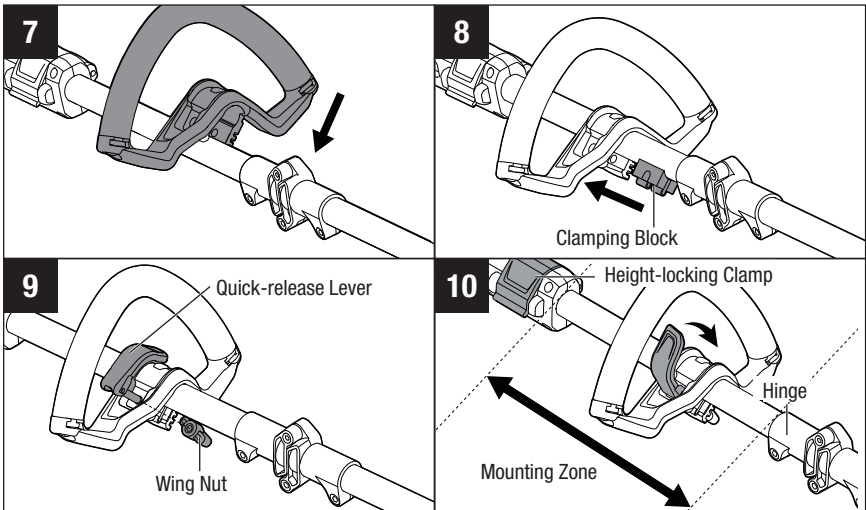
1. Loosen and remove the quick-release lever and wing nut from the front handle (Fig. 6).
2. Push the front handle onto the shaft within the mounting zone between the height-locking clamp and the hinge (Fig. 7).
3. Insert the clamping block into the handle slot (Fig. 8).
4. Mount the quick-release lever and pre-tighten the wing nut. Make sure that the front handle is positioned upwards and points toward the top of the rear handle (Fig. 9).
5. Pull the quick-release lever up to move/rotate the front handle to a comfortable operating position (Fig. 10).



**NOTICE:** The front handle should be positioned on the shaft only within the mounting zone (Fig. 10).

6. Engage the quick-release lever to secure the front handle in place.

**! WARNING:** Never use the trimmer without the front handle securely attached.



## ADJUSTING THE TRIMMER HEIGHT

If the length of the shaft is not suitable for operation, you can adjust the length of the shaft with the height-locking clamp.

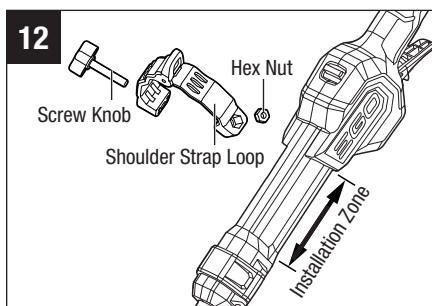
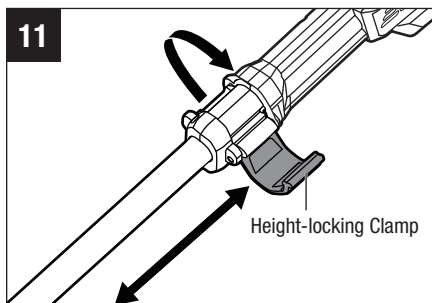
1. Remove the battery pack from the trimmer.
2. To adjust the trimmer height (i.e., shaft length), open the height-locking clamp, and then slide the shaft up or down to desired height, securing it in place by depressing the height-locking clamp. (Fig. 11)

**NOTE:** The front handle may need to be repositioned after the trimmer height is changed.

## ATTACHING SHOULDER STRAP (SOLD SEPARATELY, MODEL NUMBER: AP1500)

For safe and better operation, put the strap over one of your shoulders and across your back.

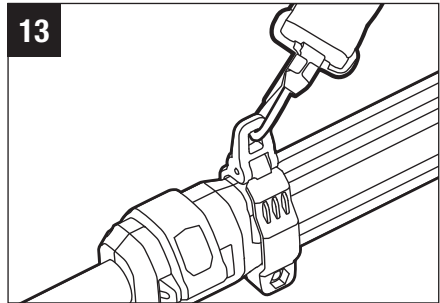
1. Loosen the screw knob and hex nut from the shoulder strap loop.
2. Attach the shoulder strap loop onto the shaft within the installation zone (Fig. 12).
3. Tighten the screw knob and hex nut.



4. Depress the shoulder strap carabiner to open it and attach the shoulder strap to the strap loop (Fig. 13).
5. Adjust the shoulder strap length and placement to a comfortable operating position – hold the trimmer with both hands: one hand on the rear handle and the other hand on the front handle (Fig. 14).

**⚠ WARNING:** When an emergency occurs, take the shoulder strap off from your shoulder immediately, no matter what way the strap is on.

**⚠ WARNING:** You should not use the single-shoulder strap and double-shoulder strap simultaneously.



## OPERATION

**⚠ WARNING:** Do not allow familiarity with this product to make you careless. Remember that a careless fraction of a second is sufficient to inflict serious injury.

**⚠ WARNING:** Always wear eye protection that is marked to comply with ANSI Z87.1. Failure to do so could result in objects being thrown into your eyes and other possible serious injuries.

**⚠ WARNING:** Do not use any attachments or accessories not recommended by the manufacturer of this product. The use of attachments or accessories not recommended can result in serious personal injury.

**⚠ WARNING:** To prevent serious personal injury, remove the battery pack from the machine before servicing, cleaning, changing attachments, or removing material from the unit.

## APPLICATION

You may use this product for the purposes listed below:

- Trimming grass and weeds from around porches, fences, and decks.
- Cutting grass that is difficult to reach with a normal lawn mower.

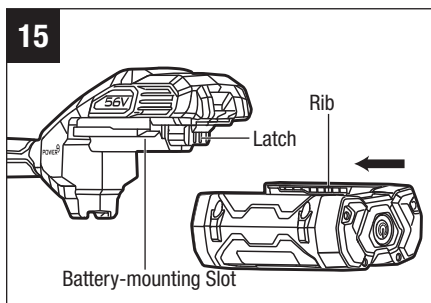
## TO INSTALL/REMOVE BATTERY PACK

**⚠ WARNING:** Always remove the battery pack from the product when you are assembling parts, making adjustments, cleaning, or when it is not in use. Removing the battery pack will prevent accidental starting that could cause serious personal injury.

**NOTE:** Fully charge the battery pack before first use.

### To install battery pack (Fig. 15)

1. Align the ribs of the battery pack with the battery-mounting slots in the string trimmer.
2. Slide the battery pack in until it snaps into position.

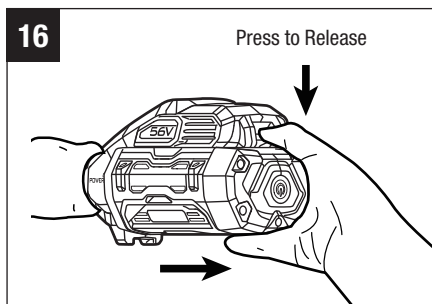


**NOTE:** Make sure that the latch on the string trimmer snaps into place and the battery pack is secured to the machine before beginning operation.

### To remove battery pack (Fig. 16)

**⚠ WARNING:** Always be aware of the location of your feet and children or pets around you when pressing the battery release button. NEVER remove the battery pack at a high position. Serious injury could result if the battery pack falls.

1. Hold the battery pack in the palm of your hand.
2. Press the battery-release button with your thumb; the battery pack will disengage from the latch.
3. Grasp the battery pack and remove it from the string trimmer.



### USING THE STRING TRIMMER

**⚠ WARNING:** To avoid serious personal injury, wear goggles or safety glasses at all times when operating this unit. Wear a face mask or dust mask in dusty locations.

Clear the area to be cut before each use. Remove all objects, such as rocks, broken glass, nails, wire, or string that can be thrown or become entangled in the cutting attachment. Clear the area of children, bystanders, and pets. At a minimum, keep all children, bystanders and pets at least 50 feet (15 m) away; there still may be risk to bystanders from thrown objects. Bystanders should be encouraged to wear eye protection. If you are approached, stop the machine immediately.

**⚠ WARNING:** To prevent serious personal injury, remove the battery pack from the machine before servicing, cleaning, changing attachments or removing material from the unit.

### Before each use check for damaged/worn parts

Check the trimmer head, guard, and loop handle and replace any parts that are cracked, warped, bent, or damaged in any way.

The line-cutting blade on the guard can dull over time. It is recommended that you periodically sharpen it with a file or replace it with a new blade.

**⚠ WARNING:** Always wear gloves when mounting or replacing the guard or when sharpening or replacing the line-cutting blade. Note the location of the line-cutting blade on the guard and protect your hand from injury.

## Clean the trimmer after each use

See the MAINTENANCE section for cleaning instructions.

**⚠ WARNING:** Never use water to clean your trimmer. Avoid using solvents when cleaning plastic parts. Most plastics are susceptible to damage from various types of commercial solvents. Use clean cloth to remove dirt, dust, oil, grease, etc.

## Check for blockage of the trimmer head

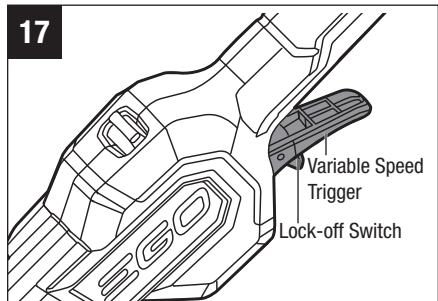
To prevent blockage, keep the trimmer head clean. Remove grass clippings, leaves, dirt and any other accumulated debris before and after each use.

When blockage happens, stop the string trimmer and remove the battery. Then remove any grass that may have wrapped itself around the motor shaft or trimmer head.

## STARTING/STOPPING THE STRING TRIMMER

### To Start

1. Move the lock-off switch forward and then press the variable speed trigger. The string trimmer will start.
2. The rotational speed of the trimmer head is controlled with the variable speed trigger. More pressure on the trigger results in higher speed; less pressure on the trigger results in lower speed. Adjust the speed to suit the task at hand (Fig. 17).



**NOTE:** The motor starts only when the lock-off switch is moved forward and the variable speed trigger is depressed at the same time.

## To Stop the string trimmer

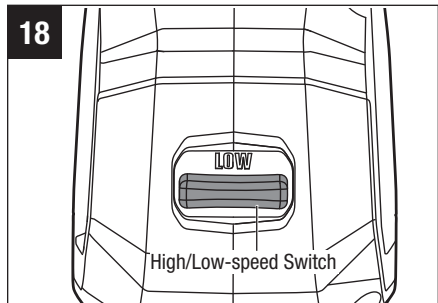
Move the string trimmer away from the cutting area and release the variable speed trigger to stop the machine.

**⚠ WARNING:** Always remove the battery pack from the string trimmer during work breaks and after finishing work.

## Speed Adjustment Function (Fig. 18)

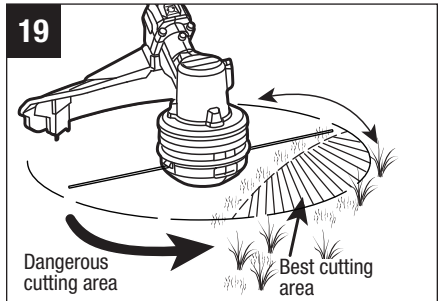
The string trimmer has two speed settings.

Move the high/low speed switch forward or backward to choose the low or high speed.



## TIPS FOR BEST TRIMMING (Fig. 19)

- The correct angle for the cutting attachment is parallel to the ground.
- Do not force the trimmer. Allow the very tip of the line to do the cutting (especially along walls). Cutting with more than the tip will reduce cutting efficiency and may overload the motor.
- The cutting height is determined by the distance of the cutting line from the lawn surface.
- Grass over 8 inches (200mm) should be cut by working progressively from top to the bottom in small increments to avoid premature line wear or motor drag.
- Slowly move the trimmer into and out of the area being cut, maintaining the cutting head position at the desired cutting height. This movement can be either a forward-backward motion or a side-to-side motion. Cutting shorter lengths produces best results.
- Trim only when grass and weeds are dry.



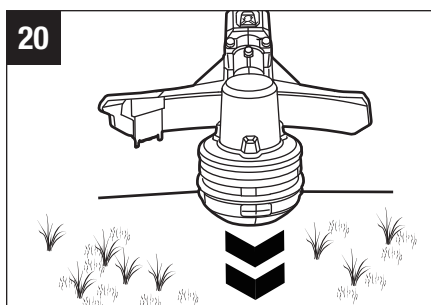
- Wire and picket fences can cause extra string wear or breakage. Stone and brick walls, curbs, and wood may wear strings rapidly.
- Avoid trees and shrubs. Tree bark, wood moldings, siding, and fence posts can easily be damaged by the strings.

## ADJUSTING THE CUTTING LINE LENGTH

The trimmer head allows the operator to release more cutting line without stopping the motor. As line becomes frayed or worn, additional line can be released by lightly tapping the trimmer head on the ground while operating the trimmer (Fig. 20).

**⚠ WARNING:** Do not remove or alter the line cutting blade assembly. Excessive line length will cause the motor to overheat and may result in serious personal injury.

For best results, tap the trimmer head on bare ground or hard soil. If line release is attempted in tall grass, the motor may overheat. Always keep the trimming line fully extended. Line release becomes more difficult as the cutting line becomes shorter.



## LINE REPLACEMENT

**⚠ WARNING:** Never use metal-reinforced line, wire, or rope, etc. These can break off and become dangerous projectiles.

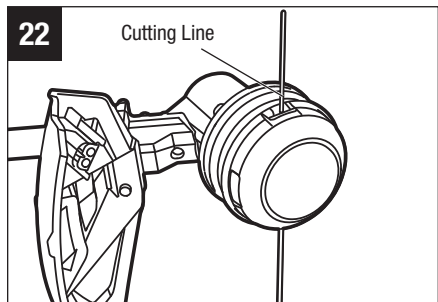
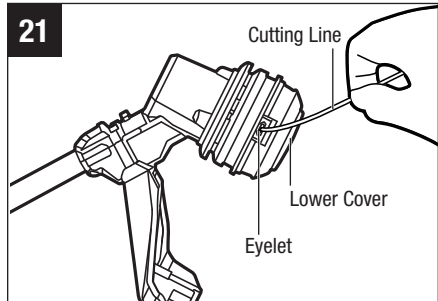
**⚠ WARNING:** Always use the recommended nylon cutting line with a diameter of 0.095 in. (2.4 mm). Using line other than that specified may cause the machine to overheat or become damaged.

The string trimmer is equipped with an advanced POWERLOAD™ system. The cutting line can be wound onto the spool simply by pressing a single button. Loading a full spool can usually be completed in 12 seconds. **Avoid repeated operation of the winding system in rapid succession to reduce the possibility of motor damage.**

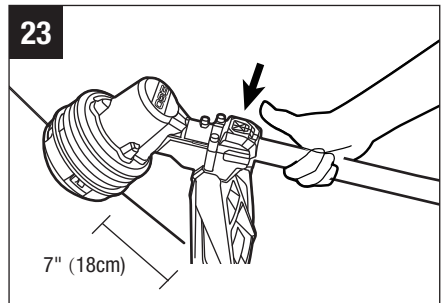
1. Remove the battery pack from the trimmer.
2. Cut one piece of cutting line 14 ft. (4 m) long.
3. Insert the line into the eyelet (Fig. 21) and push the line until the end of the line comes out of the opposite eyelet.

**NOTE:** It is not necessary to align the eyelets in order to insert the cutting line. If the line cannot be inserted into the eyelet, mount the battery pack onto the trimmer, then press the POWERLOAD button briefly to reset the winding mechanism.

4. Remove the battery pack if it has been mounted onto the trimmer in step 3.
5. Pull the line from the other side until equal lengths of the line appear on both sides of the trimmer head (Fig. 22).
6. Install the battery pack onto the string trimmer.



7. Press and hold the POWERLOAD button to start the line-winding motor. The line will be wound into the trimmer head continuously (Fig. 23).
8. Watch the remaining line length carefully. Prepare to release the button as soon as approximately 8.5 inches (22 cm) of line are left on each side. Briefly press the line loading button to adjust the length until 7 inches (18 cm) of the line is showing on each side.

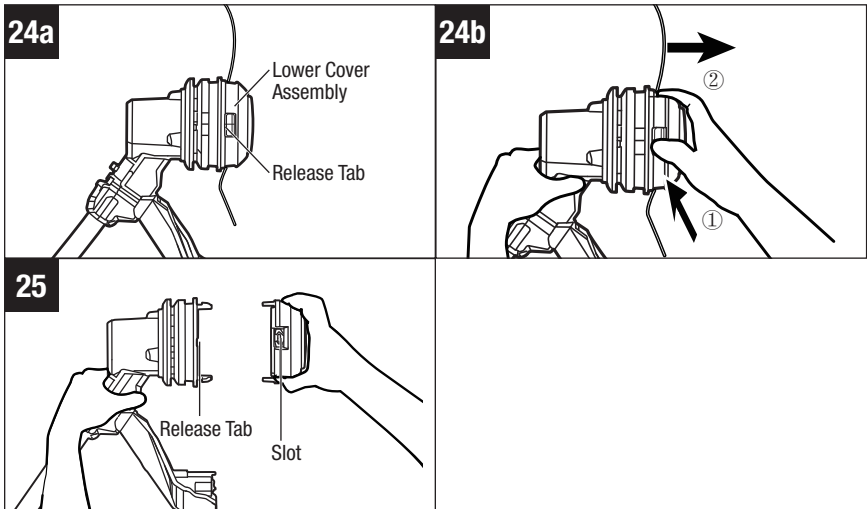


**NOTE:** In case the line is pulled into the trimmer head by accident, open the head and pull the cutting line out from the spool. Follow the section “**RELOAD THE CUTTING LINE**” in this manual to reload the line.

## RELOAD THE CUTTING LINE

**NOTE:** When the cutting line breaks from the eyelet or the cutting line is not released when the trimmer head is tapped, you will need to remove the remaining cutting line from the trimmer head and follow the steps below to reload the line.

1. Remove the battery pack from the trimmer.
2. Press the release tabs on the trimmer head and remove the lower cover assembly of the trimmer head by pulling it straight out (Fig. 24a & 24b).
3. Remove the cutting line from the trimmer head.
4. With one hand holding the trimmer, use another hand to grasp the lower cover assembly and align the slots in the lower cover assembly with the release tabs. Press the lower cover assembly until it snaps into place, at which time you will hear a distinct click sound (Fig. 25).
5. Follow the instructions in the “**LINE REPLACEMENT**” section to reload the cutting line.



## MAINTENANCE

**⚠ WARNING:** When servicing, use only identical replacement parts. Use of any other parts may create a hazard or cause product damage. To ensure safety and reliability, all repairs should be performed by a qualified service technician.

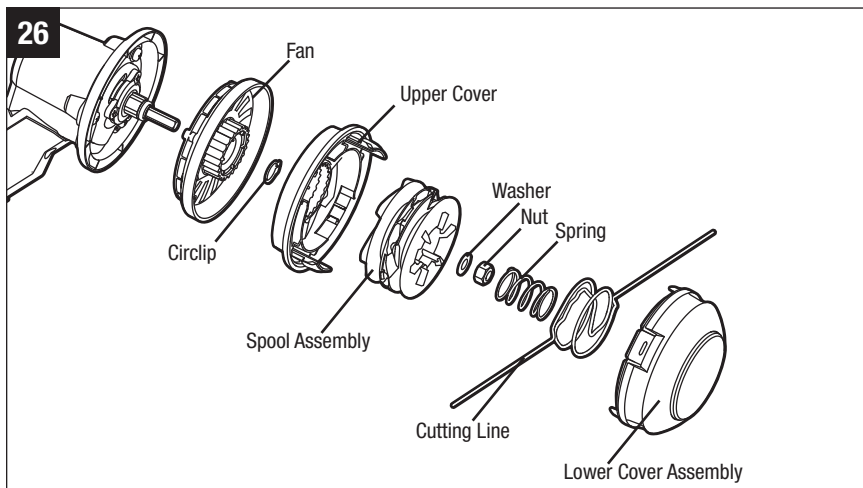
**⚠ WARNING:** Battery machines do not have to be plugged into an electrical outlet; therefore, they are always in operating condition. To prevent serious personal injury, take extra precautions and care when performing maintenance, service, or when changing the cutting attachment or other attachments.

**⚠ WARNING:** To prevent serious personal injury, remove the battery pack from the machine before servicing, cleaning, or removing material from the unit.

All string trimmer service, other than the items listed in these maintenance instructions, should be performed by competent string trimmer service personnel.

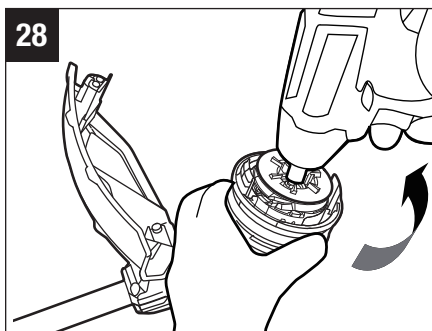
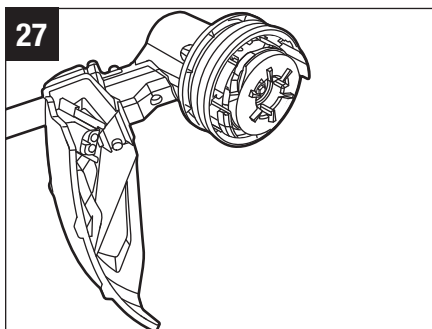
### TRIMMER HEAD REPLACEMENT

**⚠ DANGER:** If the head loosens after it is fixed in position, replace it immediately. Never use a trimmer with a loose cutting attachment. Replace a cracked, damaged or worn out cutting head immediately, even if damage is limited to superficial cracks. Such attachments may shatter at high speed and cause serious injury.

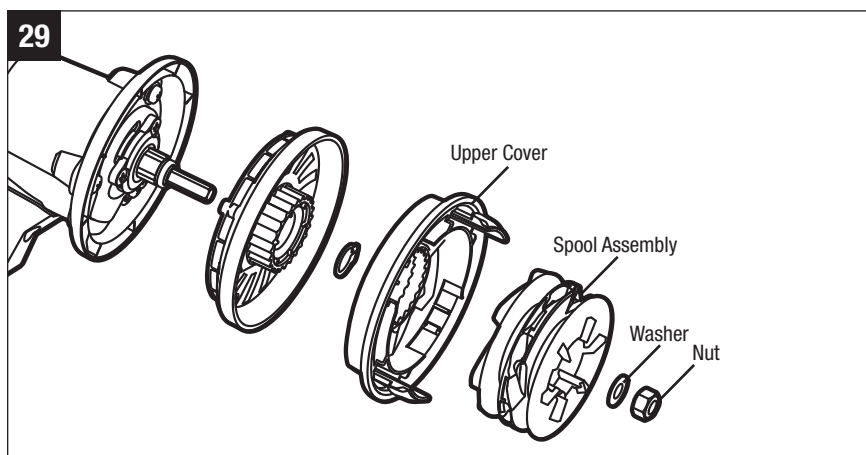


## Remove the trimmer head

1. Remove the battery pack from the trimmer.
2. Press the release tabs on the trimmer head and remove the lower cover assembly of the trimmer head by pulling it straight out (see Fig. 24a & 24b).
3. Remove the cutting line from the trimmer head (Fig. 26).
4. Take the spring out of the spool assembly, if necessary. Save it for reassembly (Fig. 26).
5. Wear gloves. Use one hand to grasp the spool assembly to stabilize it, and use the other hand to hold a 13 mm impact wrench (not included) to loosen the nut in a counterclockwise direction (Fig. 28).



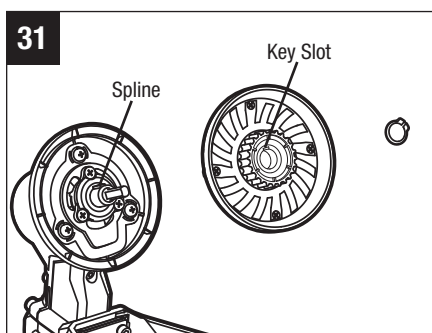
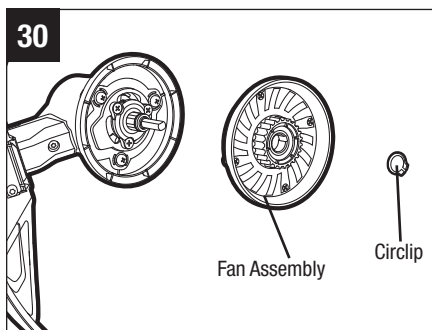
6. Remove the nut, washer, spool assembly and upper cover from the motor shaft (Fig. 29).



7. Use circlip pliers (not included) to remove the circlip. Remove the fan assembly (Fig. 30).
8. Replace with a new trimmer head and mount it according to following steps.

### Install the new trimmer head

1. Align the key slot in the fan assembly with the spline in motor shaft and mount the fan assembly into place (Fig. 31).
2. Mount the circlip, upper cover, spool assembly, and washer in that order. Use an impact wrench on the nut to tighten it.
3. Following steps 4 and 5 in **“RELOAD THE CUTTING LINE”** section in this manual to mount the lower cover assembly.



4. Follow the instructions in **“LINE REPLACEMENT”** section in this manual to reload the cutting line.
5. Start the machine to see whether the string trimmer will work normally. If it does not, reassemble as described above.

### CLEAN THE UNIT

- Remove the battery.
- Clear any grass that may have wrapped itself around the motor shaft or trimmer head.
- Use a small brush and/or a vacuum cleaner with a narrow nozzle to clean the air vents on the rear housing.
- Keep the air vents free of obstructions.

- Clean the unit using a damp cloth with a mild detergent.
- Do not use any strong detergents on the plastic housing or the handle. They can be damaged by certain aromatic oils, such as pine and lemon, and by solvents such as kerosene.
- Moisture can also cause a shock hazard. Wipe off any moisture with a soft, dry cloth.

## SHARPEN THE LINE-CUTTING BLADE

**⚠ WARNING:** Always protect your hands by wearing heavy gloves when performing any maintenance on the line-cutting blade.

1. Remove the battery pack from the trimmer.
2. Remove the line-cutting blade from the guard.
3. Secure the blade in a vise.
4. Wear proper eye protection and gloves and be careful not to cut yourself.
5. Carefully file the cutting edges of the blade with a fine-tooth file or sharpening stone, being careful to maintain the original cutting-edge angle.
6. Reinstall the blade onto the guard and secure it in place with the two screws.

## TRANSPORTING AND STORING

- Remove the battery pack from the trimmer.
- Clean the machine thoroughly before storing.
- Store the unit in a dry, well-ventilated area, locked-up or up high, out of the reach of children. Do not store the unit on or adjacent to fertilizers, gasoline, or other chemicals.
- Keep away from corrosive agents such as garden chemicals and deicing salts.

## TROUBLESHOOTING

PROBLEM	CAUSE	SOLUTION
String trimmer fails to start.	<ul style="list-style-type: none"><li>■ The battery pack is not attached to the trimmer.</li><li>■ No electrical contact between the trimmer and battery.</li><li>■ The battery pack charge is depleted.</li><li>■ The lock off switch is not being moved forward before depressing the variable speed trigger.</li><li>■ The motor shaft or trimmer head is bound with grass.</li></ul>	<ul style="list-style-type: none"><li>■ Attach the battery pack to the trimmer.</li><li>■ Remove battery, check contacts and reinstall the battery pack.</li><li>■ Charge the battery pack.</li><li>■ Move the lock-off switch forward and then press the variable speed trigger.</li><li>■ Remove the grass from the motor shaft and trimmer head.</li></ul>
String trimmer stops while cutting.	<ul style="list-style-type: none"><li>■ The guard is not mounted on the trimmer, resulting in an overly long cutting line and motor overload.</li><li>■ Heavy cutting line is used.</li><li>■ The battery pack or string trimmer is too hot.</li><li>■ The battery pack is disconnected from the machine</li><li>■ The battery pack charge is depleted.</li></ul>	<ul style="list-style-type: none"><li>■ Remove the battery pack and mount the guard on the trimmer.</li><li>■ Use recommended nylon cutting line with diameter 0.095 in. (2.4 mm).</li><li>■ Cool the battery or string trimmer.</li><li>■ Re-install the battery pack.</li><li>■ Charge the battery pack.</li></ul>

PROBLEM	CAUSE	SOLUTION
<p>Trimmer head will not advance line.</p>	<ul style="list-style-type: none"> <li>■ The motor shaft or trimmer head is bound with grass.</li> <li>■ There is not enough line on the spool or the line breaks from the eyelet.</li> <li>■ The line is tangled.</li> <li>■ The line is too short.</li> <li>■ Heavy cutting line is used.</li> <li>■ Trimmer head malfunction.</li> </ul>	<ul style="list-style-type: none"> <li>■ Stop the trimmer, remove the battery, and clean the motor shaft and trimmer head.</li> <li>■ Remove the battery and replace the cutting line follow “<b>LINE REPLACEMENT</b>” section in this manual.</li> <li>■ Remove the battery; remove the line from the trimmer head and rewind following “<b>RELOAD THE CUTTING LINE</b>” section in this manual.</li> <li>■ Remove the battery and pull the lines manually while alternately pressing down and releasing the trimmer head.</li> <li>■ Use recommended nylon cutting line with diameter 0.095 in. (2.4 mm).</li> <li>■ Call EGO Customer Service for help.</li> </ul>
<p>Grass is wrapped around trimmer head and motor housing.</p>	<ul style="list-style-type: none"> <li>■ Cutting tall grass at ground level</li> </ul>	<ul style="list-style-type: none"> <li>■ Cut tall grass from the top down, removing no more than 8 inches in each pass to prevent wrapping.</li> </ul>
<p>The blade is not cutting the line.</p>	<ul style="list-style-type: none"> <li>■ The line-cutting blade on the edge of the guard has become dull.</li> </ul>	<ul style="list-style-type: none"> <li>■ Follow instructions to sharpen the line-cutting blade with a file or replace it with a new blade.</li> </ul>
<p>Cracks on the trimmer head</p>	<ul style="list-style-type: none"> <li>■ The trimmer head is worn out.</li> </ul>	<ul style="list-style-type: none"> <li>■ Replace the trimmer head immediately; follow the section “<b>TRIMMER HEAD REPLACEMENT</b>” in this manual.</li> </ul>

PROBLEM	CAUSE	SOLUTION
<p>The cutting line cannot be wound into the trimmer head properly.</p>	<ul style="list-style-type: none"> <li>■ Improper cutting line is used.</li> <li>■ Grass debris or dirt has accumulated in the trimmer head and blocked the movement of line spool.</li> <li>■ Motor is overheated due to repeatedly operating the line winding system.</li> <li>■ Low battery capacity</li> <li>■ The line is not wound into the spool assembly.</li> <li>■ Trimmer head malfunction.</li> </ul>	<ul style="list-style-type: none"> <li>■ We suggest that you use EGO original nylon cutting line specified in chapter “<b>RECOMMENDED ACCESSORIES</b>” in this manual. If the problem persists even when using EGO nylon line, please call EGO customer service.</li> <li>■ Remove the battery, open the trimmer head and clean it thoroughly.</li> <li>■ Let the string trimmer work under no load for a few minutes to cool the motor, then try to reload the line.</li> <li>■ Charge the battery.</li> <li>■ Pull out the line and reinsert it.</li> <li>■ Call EGO Customer Service for help.</li> </ul>
<p>The cutting line cannot be passed through the trimmer head when inserting the line.</p>	<ul style="list-style-type: none"> <li>■ The cutting line is split or bent at the end.</li> </ul>	<ul style="list-style-type: none"> <li>■ Cut the worn end of line and reinsert.</li> </ul>



---

# EGO LIMITED WARRANTY

## WARRANTY POLICY TERMS AND DURATION

Chervon North America, Inc. (“Chervon North America”) provides the following Limited Warranty for EGO products to the original purchaser of EGO products.

The detailed warranty period for each EGO product can be found online at <http://egopowerplus.com/warranty-policy>.

**Please contact EGO Customer Service Toll-Free at 1-855-EGO-5656** any time you have questions or warranty claims or would like a hard copy of the warranty.

## LIMITED SERVICE WARRANTY

EGO products are warranted against defects in material or workmanship from the date of original retail purchase for the applicable warranty period. For any properly and timely submitted warranty claim, if Chervon North America determines a product to be defective during the warranty period, the product will receive free repair or replacement as determined by Chervon North America.

## HOW TO OBTAIN SERVICE

For warranty service, within the applicable warranty period, please contact EGO customer service toll-free at **1-855-EGO-5656**. When requesting warranty service, you must present the original dated sales receipt. An authorized service center will be selected to evaluate and repair the product if defective according to the stated warranty terms. When bringing your product to the authorized service center, there may be a small deposit that will be required when dropping off your tool. This deposit is refundable when the repair service is deemed to be covered under warranty. The purchaser is responsible for transportation of any outdoor power equipment or attachments at their expense.

## ADDITIONAL LIMITATIONS & EXCLUSIONS

This limited warranty applies only to the original purchaser from an authorized EGO retailer and is not transferable. EGO products shall not be considered defective, and this warranty will not apply, where the claimed defect is attributable to any cause other than the above-defined defects. This warranty shall be void if the product has been used for rental purposes. This warranty shall not apply to damage caused by accident, abuse, misuse, alteration, modification, unauthorized repair, liquid contact, fire, earthquake or other external cause; operating the product outside EGO’s instructions, specifications or guidelines; or failure to properly service or maintain the product. This warranty also does not apply to cosmetic damage, including but not limited to scratches or dents;



defects caused by normal wear and tear or otherwise due to the normal aging of the product.

THIS EXPRESS WARRANTY IS GIVEN IN LIEU OF ALL OTHER WARRANTIES, EXPRESS OR IMPLIED, INCLUDING, BUT NOT LIMITED TO, ANY WARRANTIES OF MERCHANTABILITY OR FITNESS FOR PARTICULAR PURPOSE OR USE, WHICH ARE DISCLAIMED. Any implied warranties, including warranties of merchantability or fitness for a particular purpose, that cannot be disclaimed under state law are limited to the applicable warranty period defined at the beginning of this article. The sole and exclusive remedy in connection with the purchase, installation, use, and/or performance of the EGO products is repair or replacement of the product as determined by Chervon North America. Chervon North America's maximum liability shall not in any case exceed the purchase price paid for the product. CHERVON NORTH AMERICA SHALL NOT BE LIABLE TO THE USER OR TO ANYONE ELSE FOR CONSEQUENTIAL, INCIDENTAL, SPECIAL, EXEMPLARY, INDIRECT, OR PUNITIVE DAMAGES ARISING FROM USE OF THE PRODUCTS, INCLUDING BUT NOT LIMITED TO PERSONAL INJURY, DEATH, PROPERTY DAMAGE, LOST PROFITS, OR OTHER ECONOMIC INJURY. This warranty gives you specific legal rights, and you may also have other rights which vary from state to state. Some states do not allow limitations on how long an implied warranty lasts, the exclusion or limitation of incidental or consequential damages, or the limitations on time to bring certain actions, so such limitations contained herein do not apply to individual consumers in those states.

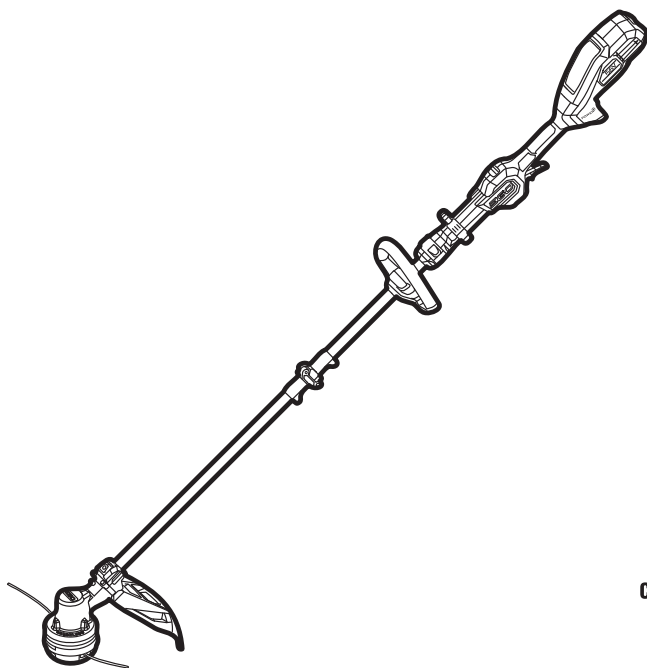
This warranty is subject to and shall be interpreted according to Michigan law without regard to principles of conflicts of laws. No legal action shall be brought against Chervon North America unless filed within one (1) year after the basis for such legal action becomes known, or with the exercise of reasonable diligence should have become known. Any action not timely filed shall be deemed waived.

For customer service contact us toll-free at: **1-855-EGO-5656** or **EGOPOWERPLUS.COM**.

EGO Customer Service  
769 Seward Ave. NW, Suite 102  
Grand Rapids, Michigan 49504.

# EGO™

POWER<sup>+</sup> STRING TRIMMER



GUIDE D'UTILISATION

## TAILLE-BORDURE SANS FIL DE 16 PO À PILES AU LITHIUM-ION DE 56 VOLTS

NUMÉRO DE MODÈLE  
ST1610T/ST1610T-FC

**⚠ AVERTISSEMENT :** Afin de réduire les risques de blessure, l'utilisateur doit lire et comprendre le guide d'utilisation avant d'utiliser ce produit. Conservez le présent guide afin de pouvoir le consulter ultérieurement.

# READ ALL INSTRUCTIONS!



LISEZ LE MODE D'EMPLOI ET  
ASSUREZ-VOUS QUE VOUS LE COMPRENEZ

## TABLE DES MATIÈRES





Symboles relatifs à la sécurité .....	41
Symboles .....	42-43
Consignes de sécurité importantes .....	44-51
Introduction .....	52
Spécifications .....	52-53
Liste des pièces .....	53
Description .....	54-56
Assemblage .....	57-61
Fonctionnement .....	62-70
Maintenance .....	71-74
Recherche de la cause des problèmes .....	75-78
Garantie limitée EGO .....	79-80

# SYMBOLES RELATIFS À LA SÉCURITÉ

Les symboles relatifs à la sécurité ont pour but d'attirer votre attention sur les dangers possibles. Les symboles relatifs à la sécurité et les explications qui les accompagnent méritent votre attention et votre compréhension. Les symboles d'avertissement n'éliminent pas à eux seuls tous les dangers. Les instructions et les avertissements qu'ils présentent ne remplacent pas les mesures appropriées de prévention des accidents.

**⚠ AVERTISSEMENT** : Veuillez à lire toutes les consignes de sécurité contenues dans ce mode d'emploi, y compris tous les symboles d'alerte relatifs à la sécurité tels que « **DANGER** », « **AVERTISSEMENT** » et « **MISE EN GARDE** », et assurez-vous que vous les comprenez avant de commencer à utiliser cet équipement. La non-observation de toutes les instructions figurant ci-après pourrait causer un choc électrique, un incendie et/ou des blessures personnelles graves.

Les définitions ci-dessous décrivent le niveau de gravité pour chaque terme signalant un danger. Veuillez lire le mode d'emploi et lire la signification de ces symboles.

	<p>C'est le symbole d'alerte relatif à la sécurité. Il est utilisé pour vous avertir de l'existence possible d'un danger de lésion corporelle. Obéissez à tous les messages relatifs à la sécurité qui suivent ce symbole pour éviter tout risque de blessure ou même de mort.</p>
	<p><b>DANGER</b> indique une situation dangereuse qui, si elle n'est pas évitée, causera la mort d'une personne ou une blessure grave.</p>
	<p><b>AVERTISSEMENT</b> indique une situation dangereuse qui, si elle n'est pas évitée, causera la mort d'une personne ou une blessure grave.</p>
	<p><b>MISE EN GARDE</b>, conjointement avec le symbole d'alerte en liaison avec la sécurité, indique une situation dangereuse qui, si elle n'est pas évitée, causera une blessure légère ou modérée.</p>

## MESSAGES D'INFORMATION ET DE PRÉVENTION DES DOMMAGES





Ils informent l'utilisateur d'informations et/ou d'instructions importantes qui pourraient entraîner des dommages matériels ou aux équipements s'ils ne sont pas suivis. Chaque message est précédé par le terme « **AVIS** », comme dans l'exemple ci-dessous :

**AVIS** : Un dommage matériel et/ou aux équipements peut survenir si ces instructions ne sont pas suivies.

## SYMBOLES

Cette page représente et décrit les symboles de sécurité qui peuvent figurer sur ce produit. Lisez, comprenez et suivez toutes les instructions figurant sur la machine avant de l'assembler et de commencer à l'utiliser.

	<p>Alerte relatives à la sécurité</p>	<p>Indique un risque de blessure.</p>
	<p>Lisez le mode d'emploi, et assurez-vous que vous le comprenez.</p>	<p>Pour réduire le risque de blessure, l'utilisateur doit lire et comprendre le mode d'emploi avant de commencer à utiliser ce produit.</p>
	<p>Portez toujours des lunettes de sécurité.</p>	<p>Portez toujours des lunettes de protection ou des lunettes de sécurité à écrans latéraux et un masque couvrant tout le visage lors de l'utilisation de ce produit.</p>
	<p>Symbole de recyclage</p>	<p>Ce produit utilise des piles au lithium-ion (Li-ion). Les lois et règlements locaux, provinciaux et fédéraux interdisent peut-être de jeter des piles au lithium-ion dans les ordures ordinaires. Consultez votre service municipal responsable de la gestion des déchets pour déterminer quelles sont les options de recyclage et/ou d'élimination possibles.</p>
	<p>Faites attention aux objets projetés.</p>	<p>Alerte l'utilisateur pour qu'il se méfie des objets projetés.</p>
	<p>Débranchez la pile avant toute opération d'entretien.</p>	<p>Alerte l'utilisateur pour qu'il débranche la pile avant toute opération d'entretien.</p>
	<p>Portez un dispositif de protection des oreilles.</p>	<p>Alerte l'utilisateur pour lui demander de porter un dispositif de protection des oreilles.</p>

	Portez un casque pour protéger votre tête.	Alerte l'utilisateur pour lui demander de porter un casque.
	La distance entre la machine et les personnes présentes doit être d'au moins 15 m / 50 pi.	Alerte l'utilisateur pour qu'il maintienne une distance d'au moins 15 m / 50 pi entre la machine et les autres personnes présentes.
	N'utilisez pas de lames pour le métal.	Alerte l'utilisateur pour lui demander de ne pas utiliser des lames pour le métal.
IP...	Indice de protection (IP)	Classifie le degré de protection fourni par une enceinte pour le matériel électrique
V	Volts	Tension
mm	Millimètre	Longueur ou taille
cm	Centimètre	Longueur ou taille
in.	po	Longueur ou taille
kg	Kilogramme	Poids
lb	lb	Poids
	Courant continu	Type ou caractéristique du courant
RPM	Tours par minute	Vitesse de rotation
.../min	Nombre de tours ou mouvements de va-et-vient par minute	Action dans le sens de la flèche

# CONSIGNES DE SÉCURITÉ IMPORTANTES

## Avertissements généraux relatifs à la sécurité pour les machines alimentées par des piles

**⚠ AVERTISSEMENT** : Lisez tous les avertissements relatifs à la sécurité, ainsi que toutes les instructions, les illustrations et les spécifications fournies avec cette machine. Le non-respect de toutes les instructions figurant ci-après pourrait causer un choc électrique, un incendie et/ou des blessures graves.

**CONSERVEZ TOUS LES AVERTISSEMENTS ET TOUTES LES INSTRUCTIONS POUR RÉFÉRENCE FUTURE.**

Le terme « machine » dans les avertissements fait référence à votre machine électrique à cordon électrique branché dans une prise secteur (filaire) ou à votre machine électrique à piles (sans fil).

## Sécurité de la zone de travail

- **Gardez votre zone de travail propre et bien éclairée.** Des zones encombrées ou sombres sont propices aux accidents.
- **N'utilisez pas de machines dans une atmosphère explosive, par exemple en présence de liquides, de gaz ou de poussières inflammables.** Les machines produisent des étincelles qui risquent de mettre feu aux poussières ou aux émanations de fumée.
- **Gardez les enfants et les autres personnes présentes à une distance suffisante lorsque vous utilisez une machine.** Des distractions risqueraient de vous faire perdre le contrôle.

## Sécurité électrique

- **Les fiches de la machine doivent correspondre à la prise de courant. Ne modifiez jamais la fiche de quelque façon que ce soit. N'utilisez pas d'adaptateurs de fiches avec des machines mises à la terre (à la masse).** L'emploi de fiches non modifiées et de prises de courant correspondant naturellement aux fiches réduira le risque de choc électrique.
- **Évitez tout contact de votre corps avec des surfaces mises à la terre ou à la masse telles que des surfaces de tuyaux, de radiateurs, de cuisinières et de réfrigérateurs.** Il existe un risque accru de choc électrique si votre corps est en

contact avec la terre ou la masse.

- **N'exposez pas la machine à la pluie ou à un environnement humide.** La pénétration d'eau dans la machine peut augmenter le risque de choc électrique ou de dysfonctionnement pouvant entraîner des blessures corporelles.
- **N'utilisez pas le cordon de façon abusive. N'utilisez pas le cordon d'alimentation pour porter, tirer ou débrancher la machine.** Tenez le cordon à distance de toute source de chaleur, d'huile, de bords tranchants ou de pièces mobiles. Des cordons endommagés ou entortillés augmentent le risque de choc électrique.
- **Lorsque vous utilisez une machine à l'extérieur, employez un cordon de rallonge approprié pour un emploi à l'extérieur.** L'utilisation d'un cordon approprié pour une utilisation à l'extérieur réduit le risque de choc électrique.
- **S'il est inévitable d'utiliser une machine dans un environnement humide, utilisez une alimentation protégée par un disjoncteur avec circuit de fuite à la terre (GFCI).** L'utilisation d'un circuit GFCI réduit le risque de choc électrique.

## Sécurité personnelle

- **Soyez alerte, faites preuve de vigilance et de bon sens, et observez attentivement ce que vous faites lorsque vous utilisez une machine. N'utilisez pas une machine si vous êtes fatigué(e) ou sous l'influence de drogues, d'alcool ou de médicaments.** Un simple moment d'inattention pendant que vous utilisez une machine pourrait causer une blessure grave.
- **Utilisez des équipements de protection personnelle. Portez toujours des équipements de protection des yeux.** Des équipements de protection tels qu'un masque de protection contre la poussière, des chaussures de sécurité antidérapantes, un casque ou un dispositif de protection de l'ouïe utilisés en fonction des conditions réduiront le nombre des blessures.
- **Prévenez une mise en marche accidentelle. Assurez-vous que l'interrupteur est dans la position hors tension avant de connecter la machine à une source d'alimentation et/ou à un bloc-piles, de la soulever ou de la transporter.** Le fait de transporter une machine avec le doigt sur l'interrupteur ou de la mettre sous tension avec l'interrupteur en position de fonctionnement invite les accidents.
- **Retirez toute clé de réglage pouvant être attachée à la machine avant de mettre la machine sous tension.** Une clé laissée attachée à une pièce en rotation de la machine pourrait causer une blessure.

- **Ne vous penchez pas excessivement au-dessus de cette machine. Veillez à toujours garder un bon équilibre et un appui stable.** Ceci permet de mieux contrôler la machine dans des situations inattendues.
- **Portez des vêtements appropriés. Ne portez pas de bijoux ou de vêtements amples. Gardez vos cheveux et vos vêtements à une distance suffisante des pièces mobiles.** Les vêtements amples, bijoux ou cheveux longs pourraient être attrapés par des pièces mobiles.
- **Si des dispositifs sont fournis pour le raccordement d'accessoires d'extraction et de collecte de la poussière, assurez-vous qu'ils sont connectés et utilisés de façon appropriée.** L'emploi correct des accessoires de collecte de la poussière peut réduire les dangers associés à la poussière.
- **Ne laissez pas la familiarité résultant de l'utilisation fréquente des machines vous inciter à devenir complaisant(e) et à ignorer les principes de sécurité des machines.** Une action négligente pourrait causer des blessures graves en une fraction de seconde.

## Utilisation et entretien des machines

- **Ne forcez pas la machine. Utilisez la machine correcte pour votre application.** La machine correcte fera le travail plus efficacement et avec plus de sécurité à la vitesse à laquelle elle a été conçue pour fonctionner.
- **N'utilisez pas la machine si l'interrupteur de marche/arrêt ne permet pas de la mettre sous tension/hors tension.** Toute machine qui ne peut pas être contrôlée par son interrupteur est dangereuse et doit être réparée.
- **Débranchez la fiche de la prise secteur et/ou retirez le bloc-piles de la machine (s'il est amovible) avant d'y apporter de quelconques modifications, de changer d'accessoire ou de ranger la machine.** De telles mesures de sécurité préventives réduisent le risque de démarrage accidentel de la machine.
- **Rangez les machines inutilisées hors de portée des enfants et ne permettez pas à des personnes ne connaissant pas la machine ou ces instructions d'utiliser la machine.** Les machines sont dangereuses entre les mains d'utilisateurs n'ayant pas reçu la formation nécessaire pour les utiliser.
- **Entretenez les machines et les accessoires. Assurez-vous que les pièces mobiles ne sont pas mal alignées ou coincées, qu'aucune pièce n'est cassée et que rien n'est susceptible d'affecter le fonctionnement de la machine.** Si elle est endommagée, faites-la réparer avant de l'utiliser à nouveau. De nombreux accidents sont causés par des machines mal entretenues.

- **Maintenez les machines de coupe affûtées et propres.** Les machines de coupe correctement entretenues et dotées de bords tranchants bien affûtés sont moins susceptibles de se coincer et sont plus faciles à contrôler.
- **Utilisez la machine, les accessoires et les embouts, etc. conformément à ces instructions, en tenant compte des conditions de travail et de la tâche à accomplir.** L'utilisation de la machine pour des opérations différentes de celles pour lesquelles elle a été conçue peut entraîner une situation dangereuse.
- **Gardez les poignées et les surfaces de préhension propres, sèches et exemptes de toute trace d'huile ou de graisse.** Les poignées et les surfaces de préhension glissantes ne permettent pas une manipulation et un contrôle sûrs de la machine dans des situations inattendues.

## Utilisation et entretien de la machine alimentée par des piles

- **Ne rechargez la machine qu'avec le chargeur indiqué par le fabricant.** Un chargeur qui est approprié pour un type de bloc-piles pourrait créer un risque d'incendie quand il est utilisé avec un autre bloc-piles.
- **Utilisez la machine exclusivement avec des blocs-piles conçus spécifiquement pour celle-ci.** L'emploi de tout autre bloc-piles risquerait de causer des blessures et un incendie.
- **Lorsque le bloc-piles n'est pas utilisé, gardez-le à une distance suffisante des autres objets en métal, comme des trombones, pièces de monnaie, clés, clous, vis ou autres petits objets en métal qui pourraient établir une connexion entre une borne et une autre.** Le court-circuitage des bornes d'une pile pourrait causer des brûlures ou un incendie.
- **Dans des conditions d'utilisation abusives, du liquide pourrait être éjecté de la pile; évitez tout contact avec ce liquide.** En cas de contact accidentel, lavez avec de l'eau. En cas de contact de liquide avec les yeux, consultez également un professionnel de santé. Tout liquide éjecté d'une pile peut causer de l'irritation ou des brûlures.
- **N'utilisez pas une machine ou un bloc-piles qui est endommagé ou qui a été modifié.** Des piles endommagées ou modifiées peuvent se comporter de façon imprévisible et causer un incendie, une explosion ou des blessures.
- **N'exposez pas un bloc-piles ou une machine à un feu ou à une température excessive.** L'exposition à un feu ou à une température supérieure à 130 °C / 265 °F pourrait causer une explosion.

- **Suivez toutes les instructions relatives à la charge, et ne chargez pas le bloc-piles ou la machine en dehors de la plage de température spécifiée dans les instructions.** Une charge dans des conditions appropriées ou à des températures en dehors de la plage spécifiée pourrait endommager la pile et augmenter le risque d'incendie.

## SERVICE APRÈS-VENTE

- **Faites réparer votre machine par un réparateur compétent n'utilisant que des pièces de rechange identiques.** Ceci assurera le maintien de la sécurité de la machine.
- **Ne tentez jamais de réparer des blocs-piles endommagés.** La réparation de blocs-piles ne doit être effectuée que par le fabricant ou un prestataire de services agréé.

## Avertissements relatifs à la sécurité pour le taille-bordure

- **N'utilisez pas le taille-bordure si le temps est mauvais, en particulier s'il existe un risque de foudre.** Ceci réduit le risque d'être frappé par la foudre.
- **Inspectez attentivement la zone dans laquelle la machine doit être utilisée.** Des animaux sauvages peuvent être blessés par la machine pendant son fonctionnement.
- **Inspectez minutieusement la zone où la machine doit être utilisée, et retirez tous les paillassons, traîneaux, planches, fils, os et autres corps étrangers.** La projection d'objets peut causer des blessures.
- **Avant d'utiliser la machine, vérifiez toujours visuellement que le couteau ou la lame et l'ensemble de couteau ou de lame ne sont pas endommagés.** Les pièces endommagées augmentent le risque de blessure.
- **Suivez instructions pour le changement d'accessoires.** Des écrous ou boulons de fixation de la lame mal serrés peuvent endommager la lame ou la détacher.
- **Portez des lunettes de protection, un protège-oreilles, un masque pour la tête et des gants.** Des équipements de protection adéquats réduiront les blessures corporelles causées par la projection de débris ou par un contact accidentel avec le fil de coupe ou la lame.
- **Lors de l'utilisation de la machine, portez toujours des chaussures antidérapantes et protectrices.** N'utilisez pas la machine si vous êtes pieds nus ou si vous portez des sandales ouvertes. Cela réduit les risques de blessures aux pieds en cas de contact avec les couteaux ou les fils en mouvement.

- **Lorsque vous utilisez la machine, portez toujours des pantalons longs.** Une peau exposée augmente le risque de blessure par des objets lancés.
- **Tenez les autres personnes présentes à l'écart pendant l'utilisation de la machine.** La chute de débris pourrait causer des blessures graves.
- **Tenez toujours la machine des deux mains pendant son fonctionnement.** Tenez la machine des deux mains pour éviter d'en perdre le contrôle.
- **Tenez seulement la machine par ses surfaces de préhension isolées, parce que le fil de coupe ou la lame pourrait entrer en contact avec des fils sous tension dissimulés.** Un bord tranchant ou une lame qui entre en contact avec un fil sous tension peut mettre les parties en métal exposées de la machine sous tension et causer un choc électrique à l'opérateur.
- **Gardez toujours un bon équilibre et n'utilisez la machine que si vous êtes debout sur le sol.** Les surfaces glissantes ou instables peuvent vous faire perdre l'équilibre ou vous faire perdre le contrôle de la machine.
- **N'utilisez pas la machine sur des pentes excessivement raides.** Cela réduit le risque de perte de contrôle, de glissement et de chute pouvant entraîner des blessures.
- **Lorsque vous travaillez sur des pentes, soyez toujours sûr de votre équilibre, travaillez toujours en travers de la pente, jamais vers le haut ou vers le bas, et soyez extrêmement prudent lorsque vous changez de direction.** Cela réduit le risque de perte de contrôle, de glissement et de chute pouvant entraîner des blessures.
- **Gardez toutes les parties de votre corps à une distance suffisante du couteau, du fil de coupe ou de la lame lorsque la machine est en marche. Avant de démarrer la machine, assurez-vous que le couteau, le fil de coupe ou la lame n'entre pas en contact avec quoi que ce soit.** Un simple moment d'inattention pendant que vous utilisez la machine pourrait causer une blessure à vous-même ou à d'autres personnes se trouvant à proximité.
- **N'utilisez pas la machine pour couper plus haut que la hauteur de la taille.** Ceci contribue à prévenir un contact accidentel avec le couteau ou la lame et assure un meilleur contrôle de la machine dans des situations inattendues.
- **Lorsque vous coupez des broussailles ou des gaules qui sont sous tension, soyez alerte en raison du risque d'effet de rebond.** Lorsque la tension dans les fibres de bois est relâchée, la broussaille ou la gaule sous tension risque de heurter l'opérateur et/ou de lui faire perdre le contrôle de la machine.

- **Faites preuve d'une grande prudence lorsque vous coupez des broussailles et des jeunes arbres.** Les morceaux de bois minces risquent d'être attrapés par la lame et projetés vers vous à grande vitesse ou de vous déséquilibrer.
- Gardez le contrôle de la machine et ne touchez pas les bords tranchants, les fils de coupe ou les lames et autres pièces mobiles dangereuses pendant qu'ils sont en mouvement. Cela permet de réduire le risque de blessures due aux pièces mobiles.
- **Lorsque vous retirez des déchets coincés ou lorsque vous effectuez une opération de maintenance de la machine, assurez-vous que l'interrupteur est en position d'arrêt et que le bloc-piles a été retiré.** Une mise en marche inattendue de la machine pendant que l'opérateur s'efforce d'en retirer des déchets coincés ou est en train d'effectuer une opération d'entretien pourrait causer une blessure grave.
- **Transportez la machine après l'avoir éteinte et en l'éloignant de votre corps.** Une manipulation correcte de la machine réduira le risque de contact accidentel avec un couteau, un fil de coupe ou une lame en mouvement
- **N'utilisez que les couteaux, fils de coupe, têtes de coupe et lames de rechange spécifiés par le fabricant.** Des pièces de rechange incorrectes peuvent augmenter le risque de casse et de blessure.
- **Endommagement du taille-bordure - Si vous heurtez un corps étranger avec le taille-bordure ou s'il s'emmêle, arrêtez immédiatement la machine, inspectez-la pour déterminer si elle est endommagée et faites-la réparer avant de poursuivre votre travail.** N'utilisez pas cette machine avec une bobine ou un dispositif de protection cassé.
- **Si l'équipement commence à vibrer de façon anormale, arrêtez immédiatement le moteur et recherchez la cause du problème. Des vibrations sont généralement un signe avant-coureur d'un problème. Une tête mal fixée peut vibrer, se fendre, se casser ou se détacher du taille-bordure, ce qui peut entraîner des blessures graves, ou même mortelles. Assurez-vous que l'attachement de coupe est correctement fixé en place.** Si la tête se desserre après avoir été fixée en place, remplacez-la immédiatement. N'utilisez jamais un taille-bordure dont un attachement de coupe est mal assujéti.
- **N'utilisez qu'avec les blocs-piles et les chargeurs indiqués ci-dessous :**

BLOC-PILES	CHARGEUR
BA1400, BA1400-FC, BA2800, BA2800-FC, BA4200, BA4200-FC, BA1400T, BA1400T-FC, BA2242T, BA2242T-FC, BA2800T, BA2800T-FC, BA3360T, BA3360T-FC, BA4200T, BA4200T-FC, BA4480T, BA4480T-FC, BA5600T, BA5600T-FC, BA6720T, BA6720T-FC	CH2100, CH2100-FC, CH3200, CH3200-FC, CH5500, CH5500-FC, CH2800D, CH2800D-FC, CH7000, CH7000-FC, CH7000T, CH7000T-FC

**REMARQUE:** La machine doit être utilisée avec le lien du sac à dos EGO BH1001/ BH1001-FC lors de l'utilisation de la batterie EGO de 6,0 Ah ou d'une capacité supérieure.

**CONSERVEZ CES INSTRUCTIONS !**

## INTRODUCTION

Félicitations pour votre choix de la nouvelle tondeuse à gazon au lithium-ion EGO de 56 V. Elle a été conçue, développée et fabriquée pour vous donner le plus possible de fiabilité et de rendement.

Si vous rencontrez un problème auquel vous ne pouvez pas remédier facilement, **veuillez contacter le de service à la clientèle d'EGO au 1-855-EGO-5656.**


Ce mode d'emploi contient des informations importantes sur l'assemblage, l'utilisation et l'entretien de votre tondeuse en toute sécurité. Lisez-le attentivement avant de commencer à utiliser la tondeuse. Conservez ce mode d'emploi à portée de main afin de pouvoir vous y référer à tout moment.

NUMÉRO DE SÉRIE \_\_\_\_\_ DATE D'ACHAT \_\_\_\_\_

LES NUMÉROS DE MODÈLE ET DE SÉRIE SE TROUVENT SUR UNE ÉTIQUETTE APPOSÉE SUR LA PORTE DE DÉCHARGE ARRIÈRE.

VOUS DEVEZ ENREGISTRER LE NUMÉRO DE SÉRIE ET LA DATE D'ACHAT, ET LES CONSERVER EN LIEU SÛR POUR TOUTE RÉFÉRENCE ULTÉRIEURE.

## SPÉCIFICATIONS

Tension	56 V 
Vitesse à vide	Bas : 4800/min (RPM)
	Forte intensité : 6000/min (RPM)
Mécanisme de coupe	Tête à alimentation par à-coups
Mécanisme de charge du fil	Entraînement par moteur
Type de fil de coupe	Fil tressé en nylon de 2,4 mm / 0,095 po
Largeur de coupe	40 cm / 16 po
Indice de protection	IPX4* (Protection contre les éclaboussures d'eau)
Température de fonctionnement :	0°C – 40 °C / 32°F – 104 °F
Température de stockage	-20°C – 70°C / -4°F – 158°F
Poids net (y compris le dispositif de protection)	3,4 kg / 7,5 lb

**\* REMARQUE:** L'indice IPX4 est basé sur l'utilisation conjointe de la machine et du bloc-piles en tant que système.

## ACCESSOIRES RECOMMANDÉS

NOM DE LA PIÈCE	NUMÉRO DE MODÈLE
Fil de coupe	AL2420P/AL2450S/AL2420PD/AL2420PB/AL2470B

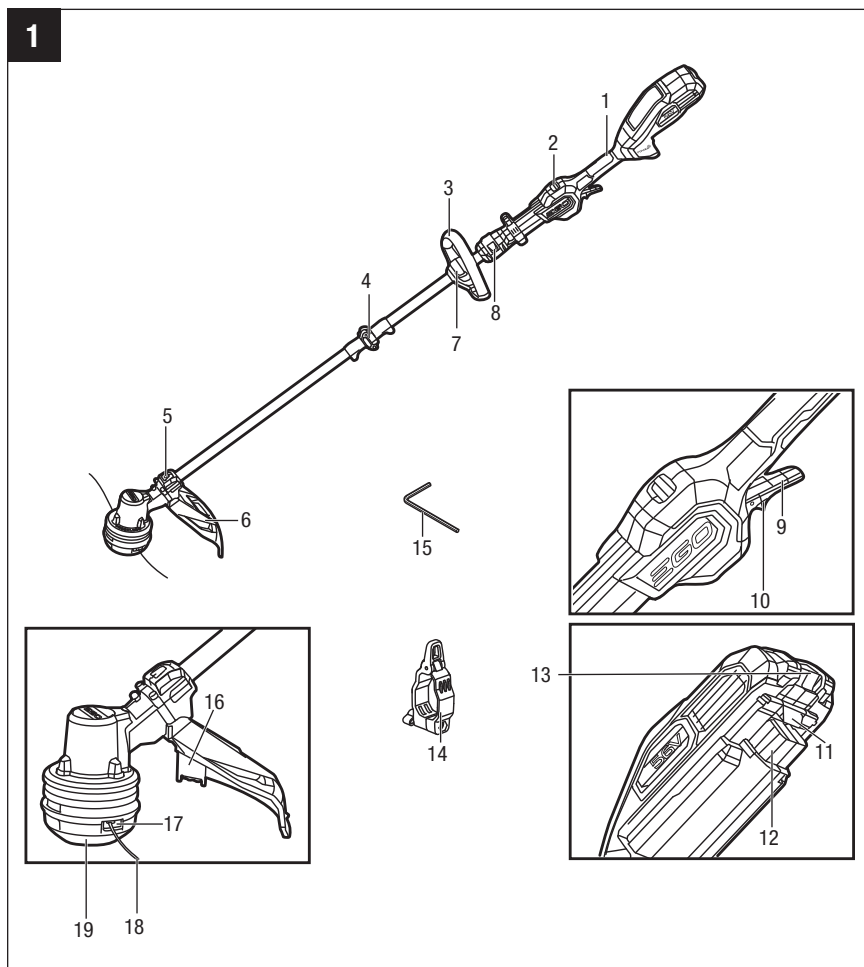
## LISTE DES PIÈCES

NOM DE LA PIÈCE	QUANTITÉ
Taille-bordure	1
Boulon pour l'arbre de verrouillage	1
Dispositif de protection (avec deux vis préassemblées sur le dispositif de protection)	1
Ensemble de poignée avant à réglage rapide	1
Clé hexagonale	1
Fil de coupe	1
Boucle de la bretelle de port en bandoulière	1
Mode d'emploi	1

# DESCRIPTION

## FAMILIARISEZ-VOUS AVEC VOTRE DE TAILLE-BORDURE (Fig. 1)

Pour que ce produit puisse être utilisé en toute sécurité, il est nécessaire de comprendre les informations figurant sur la machine et dans son mode d'emploi, et de bien maîtriser le projet que vous voulez réaliser. Avant d'utiliser ce produit, familiarisez-vous avec toutes ses fonctionnalités et les consignes de sécurité qui s'y appliquent.



1. Poignée arrière
2. Commutateur haute vitesse/basse vitesse
3. Poignée avant à réglage rapide
4. Charnière
5. Bouton POWERLOAD™
6. Dispositif de protection
7. Levier à relâchement rapide
8. Bride de fixation pour verrouiller la hauteur
9. Gâchette de réglage de la vitesse
10. Gâchette de verrouillage en position d'arrêt
11. Loquet de verrouillage
12. Mécanisme d'éjection
13. Bouton d'éjection des piles
14. Boucle de la bretelle de port en bandoulière
15. Clé hexagonale
16. Lame pour coupe de fil
17. Languette de relâchement
18. Fil de coupe
19. Tête de taille-bordure (tête à alimentation par à-coups)

**⚠ AVERTISSEMENT:** N'utilisez jamais la machine sans que le dispositif de protection ne soit fermement en place. Le dispositif de protection doit toujours être installé sur la machine afin d'assurer la sécurité de l'opérateur.

## POIGNÉE AVANT À RÉGLAGE RAPIDE

Pour contrôler facilement la taille-bordure pendant les opérations de coupe.

## POIGNÉE ARRIÈRE

La poignée ergonomique avec surmoulage améliore le confort et la préhension.

## GÂCHETTE DE RÉGLAGE DE LA VITESSE

Met le taille-bordure sous tension et hors tension.

## INTERRUPTEUR DE VERROUILLAGE EN POSITION D'ARRÊT

Aide à prévenir une activation accidentelle de la gâchette. Il doit être enfoncé avant que la gâchette de variateur de vitesse puisse être activée.

## BOUCLE DE BRETELLE POUR PORT EN BANDOULIÈRE

Pour attacher la bretelle de port en bandoulière.

## COMMUTATEUR HAUTE VITESSE/BASSE VITESSE

Fournit des plages de vitesses de coupe élevées et basses pour différentes tâches, suivant les besoins.

## **INDICATEUR DE VITESSE**

Affiche la vitesse de coupe actuelle.

## **DISPOSITIF DE PROTECTION**

Réduit le risque de blessures causées par des corps étrangers projetés en direction de l'opérateur et par un contact avec l'attache de coupe.

## **LAME POUR COUPE DE FIL**

Lame en acier intégrée au dispositif de protection qui maintient le fil de coupe à la longueur appropriée.

## **BRIDE DE FIXATION POUR VERROUILLER LA HAUTEUR**

La poignée peut être réglée facilement en fonction de la taille de la personne afin d'aider à assurer une hauteur de travail confortable idéale.

## **TÊTE DE TAILLE-BORDURE (TÊTE À ALIMENTATION PAR À-COUPS)**

Sert à ranger le fil de coupe et à le relâcher quand on tapote légèrement la tête sur un sol ferme pendant le fonctionnement.

## **BOUTON POWERLOAD™**

Appuyez sur ce bouton pour enrouler automatiquement le fil de coupe dans le tête du taille-bordure.

## **CHARNIÈRE**

Connecte et verrouille les deux arbres repliables.

## **BOUTON D'ÉJECTION DU BLOC-PILES**

Détache le bloc-piles de la machine.

## **VERROU**

Assujettit le bloc-piles à la machine.

## **MÉCANISME D'ÉJECTION**

Aide à retirer les piles.

## ASSEMBLAGE

**⚠ AVERTISSEMENT:** Si certaines pièces sont endommagées ou manquantes, n'utilisez pas ce produit avant que ces pièces aient été remplacées. L'utilisation de ce produit avec des pièces endommagées ou manquantes pourrait causer des blessures graves.

**⚠ AVERTISSEMENT:** Ne tentez pas de modifier ce produit ou de créer des accessoires qu'il n'est pas recommandé d'utiliser avec ce produit. Une telle altération ou modification constituerait une utilisation abusive et pourrait créer une situation dangereuse avec risque de blessures graves.

**⚠ AVERTISSEMENT:** Portez toujours des gants épais pour effectuer tout travail d'entretien de la lame. Faites attention à la lame, et protégez-vous les mains pour qu'elles ne risquent pas d'être blessées par la lame.

**⚠ AVERTISSEMENT:** Pour empêcher tout démarrage accidentel qui pourrait causer une blessure grave, retirez toujours le bloc-piles de la machine lorsque vous effectuez le montage de pièces, des réglages ou le nettoyage de la machine – ou lorsqu'elle n'est pas utilisée.

## DÉBALLAGE

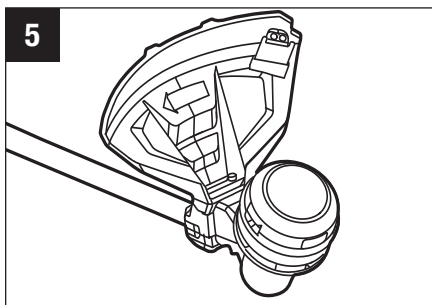
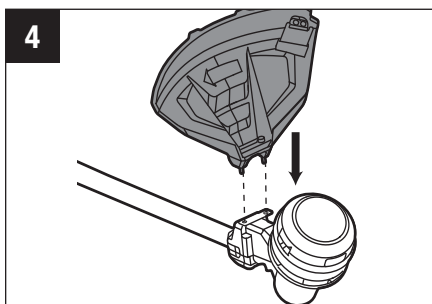
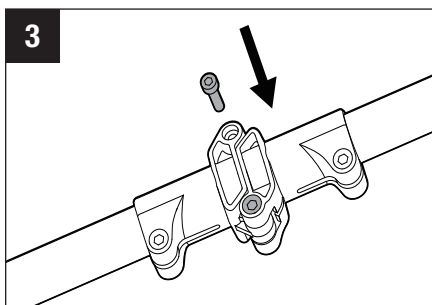
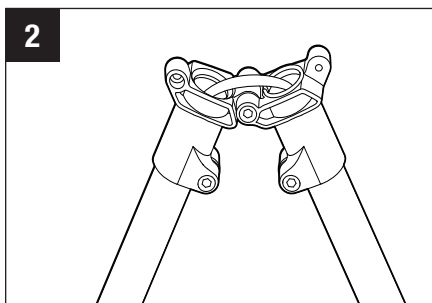
- Ce produit nécessite un assemblage.
- Retirez le produit et tous les accessoires de la boîte en prenant les précautions nécessaires. Assurez-vous que tous les articles indiqués sur la liste des pièces sont inclus.
- Inspectez attentivement la machine pour vous assurer qu'aucun dommage ou bris de pièce(s) ne s'est produit pendant le transport.
- Ne jetez pas les matériaux d'emballage avant d'avoir inspecté attentivement la machine et de l'avoir mise en marche de façon satisfaisante.
- Si une pièce quelconque est endommagée ou manquante, veuillez rapporter le produit dans le magasin où vous l'avez acheté.

## COMMENT DÉPLIER L'ARBRE

**⚠ AVERTISSEMENT:** Ne tenez pas l'arbre au niveau du joint pour ne pas risquer de vous pincer les mains ou les doigts.

**⚠ AVERTISSEMENT:** Ne tentez pas de faire démarrer le taille-bordure avant que l'arbre ne soit verrouillé.

1. Détachez le bloc-piles du taille-bordure.
2. Placez votre taille-bordure sur le sol et assurez-vous que le câble est à l'intérieur de l'arbre de telle sorte qu'il ne soit pas pincé lorsque vous fermez la charnière. Dépliez l'arbre en prenant beaucoup de précautions jusqu'à ce que les deux trous dans la charnière soient alignés de façon précise (Fig. 2).
3. Insérez le boulon (fourni) et serrez-le en utilisant la clé hexagonale fournie pour verrouiller l'arbre en place (Fig. 3).



## MONTAGE DU DISPOSITIF DE PROTECTION

**⚠ AVERTISSEMENT:** Portez toujours des gants lorsque vous montez ou remplacez le dispositif de protection. Faites attention à la lame sur le dispositif de protection, et protégez-vous les mains pour ne pas qu'elles risquent d'être blessées par la lame.

1. Détachez le bloc-piles du taille-bordure.
2. Posez le taille-bordure sur le sol de telle façon que la tête du taille-bordure soit orientée vers le haut.

- Alignez les deux vis, qui sont préassemblées sur le dispositif de protection, sur les deux trous de vis de l'arbre (Fig. 4), puis serrez-les avec la clé hexagonale fournie (Fig. 5).

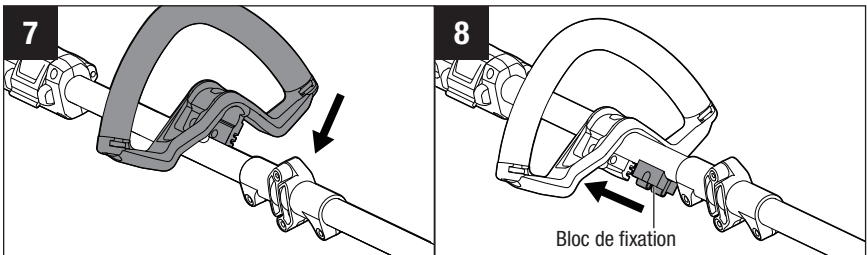
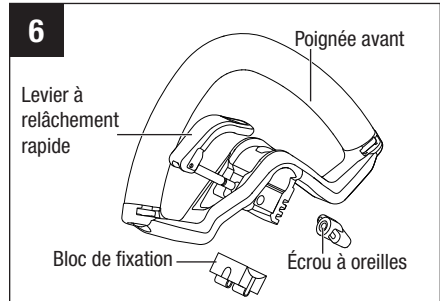
## MONTAGE ET RÉGLAGE DE LA POIGNÉE AVANT

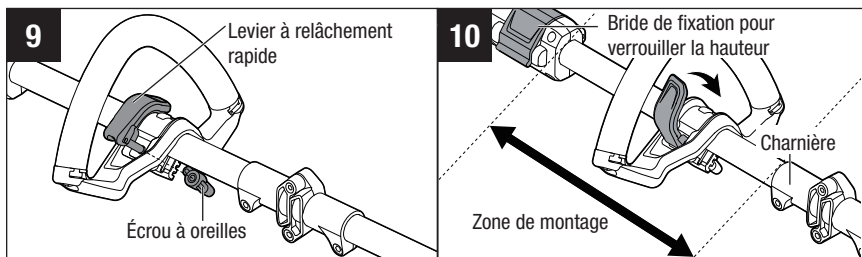
- Desserrez et retirez le levier à relâchement rapide et l'écrou à oreilles de la poignée avant (Fig. 6).
- Poussez la poignée avant sur l'arbre dans la zone de montage entre la bride de fixation pour verrouillage en hauteur et la charnière (Fig. 7).
- Insérez le bloc de fixation dans la fente de la poignée (Fig. 8).
- Montez le levier à relâchement rapide et effectuez un serrage initial de l'écrou à oreilles. Assurez-vous que la poignée avant est positionnée vers le haut et est orientée vers le haut de la poignée arrière (Fig. 9).
- Tirez le levier à relâchement rapide vers le haut pour déplacer/faire tourner la poignée avant jusqu'à une position de fonctionnement confortable (Fig. 10).

**AVIS:** La poignée avant doit être positionnée sur l'arbre uniquement à l'intérieur de la zone de montage (Fig. 10).

- Engagez le levier à relâchement rapide afin de sécuriser la poignée avant en position.

**⚠ AVERTISSEMENT:** N'utilisez jamais le taille-bordure sans que la poignée avant soit solidement sécurisée.

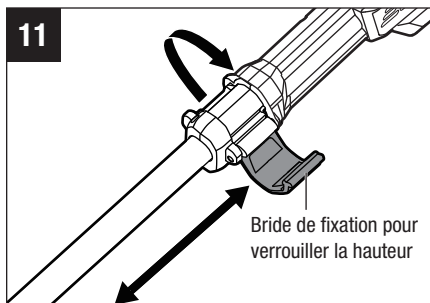




## RÉGLAGE DE LA HAUTEUR DU TAILLE-BORDURE

Si la longueur de l'arbre n'est pas appropriée pour l'utilisation du taille-bordure, vous pouvez régler la hauteur de l'arbre au moyen de la bride de fixation pour verrouiller la hauteur.

1. Détachez le bloc-piles du taille-bordure.
2. Pour régler la hauteur du taille-bordure (c.-à-d., la longueur de l'arbre), ouvrez la bride de fixation pour verrouiller la hauteur, puis faites glisser l'arbre vers le haut ou vers le bas jusqu'à la hauteur désirée, et sécurisez-le en place en comprimant la bride de fixation pour verrouiller la hauteur. (Fig. 11)

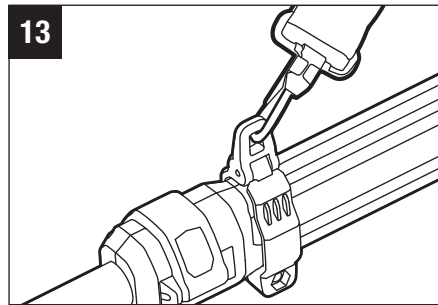
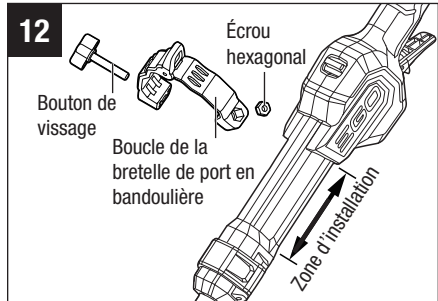


**REMARQUE:** La poignée avant devra peut-être être réajustée après avoir changé la hauteur du taille-bordure.

## FIXATION D'UNE BRETELLE POUR PORT EN BANDOULIÈRE (VENDUE SÉPARÉMENT, NUMÉRO DE MODÈLE : AP1500)

Pour un fonctionnement plus sûr et plus efficace, placez la sangle sur l'une de vos épaules et sur votre dos.

1. Desserrez le bouton de vissage et l'écrou hexagonal de la boucle de la bretelle pour port en bandoulière.
2. Attachez la boucle de la bretelle pour port en bandoulière sur l'arbre dans la zone d'installation (Fig. 12).
3. Serrez le bouton de vissage et l'écrou hexagonal.
4. Appuyez sur le mousqueton de la bretelle pour port en bandoulière afin de l'ouvrir, et attachez la bretelle à la boucle de la bretelle (Fig. 13).
5. Ajustez la longueur de la bretelle pour port en bandoulière et placez-la dans une position d'utilisation confortable – tenez le taille-bordure des deux mains, une main sur la poignée arrière et l'autre main sur la poignée avant (Fig. 14).



**⚠ AVERTISSEMENT:** En cas d'urgence, retirez la bretelle de votre épaule immédiatement, quel que soit le sens d'engagement de la bretelle.

**⚠ AVERTISSEMENT:** Il ne faut pas utiliser la courroie à bretelle unique et la courroie à double bretelle en même temps.

## FONCTIONNEMENT

**⚠ AVERTISSEMENT:** Ne laissez pas l'habitude de l'utilisation de ce produit vous empêcher de prendre toutes les précautions requises. N'oubliez jamais qu'une fraction de seconde d'inattention suffit pour entraîner de graves blessures.

**⚠ AVERTISSEMENT:** Utilisez toujours un équipement de protection des yeux indiquant qu'il est conforme à la norme ANSI Z87.1. Si vous ne portez pas un tel dispositif de protection, vous pourriez subir des blessures graves, y compris en conséquence de la projection d'objets dans vos yeux.

**⚠ AVERTISSEMENT:** N'utilisez pas d'attache-ments ou d'accessoires qui ne sont pas recommandés par le fabricant de ce produit. L'utilisation d'attache-ments ou d'accessoires qui ne sont pas recommandés peut causer des blessures graves.

**⚠ AVERTISSEMENT:** Pour éviter tout risque de blessure grave, retirez le bloc-piles de la machine avant de la réparer ou de la nettoyer, ou de retirer des déchets de la machine.

## APPLICATION

Vous pouvez utiliser ce produit pour faire ce qui suit :

- Taille de gazon et coupe de mauvaises herbes autour des vérandas, des clôtures et des terrasses.
- Coupe d'herbe difficile à atteindre avec une tondeuse à gazon normale.

## INSTALLATION / RETRAIT DU BLOC-PILES

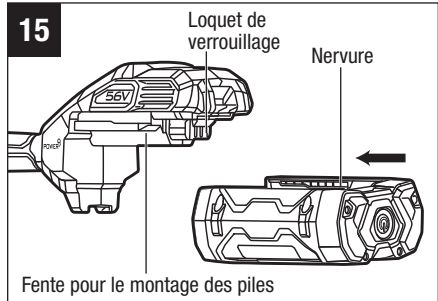
**⚠ AVERTISSEMENT:** Retirez toujours le bloc-piles de ce produit lorsque vous assemblez des pièces, effectuez des réglages, faites un nettoyage ou n'utilisez pas le produit. Le retrait du bloc-piles empêchera une mise en marche accidentelle qui risquerait de causer des blessures graves.

**REMARQUE:** Chargez complètement le bloc-piles avant de vous en servir pour la première fois.

## Installation du bloc-piles (Fig. 15)

1. Alignez les nervures du bloc-piles sur les fentes prévues pour le montage des piles sur le taille-bordure.
2. Faites glisser le bloc-piles à l'intérieur jusqu'à ce qu'il se mette dans la position correcte (déclat).

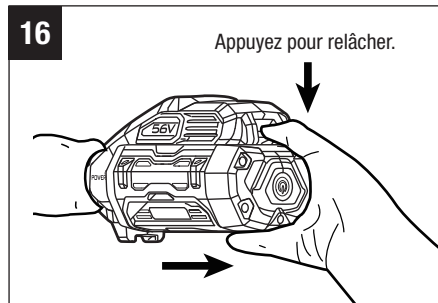
**REMARQUE:** Assurez-vous que le loquet de verrouillage sur le taille-bordure s'enclenche bien en place et que le bloc-piles est bien assujéti à la machine avant de commencer à l'utiliser.



## Retrait du bloc-piles (Fig. 16)

**⚠ AVERTISSEMENT:** Contrôlez toujours la position de vos pieds et les endroits où se trouvent les enfants et les animaux domestiques avant d'appuyer sur le bouton d'éjection des piles. Ne retirez JAMAIS le bloc-piles lorsque vous vous trouvez à un endroit surélevé. La chute du bloc-piles pourrait causer des blessures graves.

1. Tenez le bloc-piles dans la paume de votre main.
2. Appuyez sur le bouton d'éjection des piles avec votre pouce ; le bloc-piles se détachera alors du loquet de verrouillage.
3. Saisissez le bloc-piles et retirez-le du taille-bordure.



## UTILISATION DU TAILLE-BORDURE

**⚠ AVERTISSEMENT:** Pour éviter des blessures graves, portez des lunettes de protection ou des lunettes de sécurité à tout moment lorsque vous utilisez cet appareil. Portez un masque facial ou un masque de protection contre la poussière dans les endroits poussiéreux.

Dégagez la zone à couper avant chaque utilisation. Retirez tous les objets, tels que les pierres, le verre brisé, les clous, le fil de fer ou la ficelle qui peuvent être jetés dans l'attachement de coupe ou s'emmêler dans celui-ci. Assurez-vous qu'il n'y a pas d'enfants ou d'autres personnes, ou des animaux domestiques, à proximité. Au minimum, gardez tous les enfants, les autres personnes présentes et les animaux domestiques à une distance d'au moins 15 m / 50 pi ; les personnes présentes peuvent malgré tout être exposées à la projection d'objets. Toutes les personnes présentes doivent être encouragées à porter des lunettes de protection. Si quelqu'un s'approche de vous, arrêtez immédiatement la machine.

**⚠ AVERTISSEMENT:** Pour éviter tout risque de blessure grave, retirez le bloc-piles de la machine avant de la réparer ou de la nettoyer, de changer des attachements ou de retirer des déchets de l'équipement.

### **Assurez-vous qu'il n'y a pas de pièces endommagées ou excessivement usées avant chaque utilisation.**

Inspectez la tête du taille-bordure, son dispositif de protection et la poignée à boucle, et remplacez toutes les pièces qui sont fissurées, tordues, recourbées ou endommagées de quelque façon que ce soit.

La lame pour couper le fil sur le dispositif de protection peut s'éémousser avec le temps. Il est recommandé que vous affûtiez périodiquement la lame avec une lime ou que vous la remplaciez par une nouvelle lame.

**⚠ AVERTISSEMENT:** Portez toujours des gants quand vous montez ou remplacez le dispositif de protection ou quand vous affûtez ou remplacez la lame pour couper le fil. Notez la position de la lame pour couper le fil sur le dispositif de protection, et faites en sorte que votre main ne soit pas exposée à un risque de blessure.

### **Nettoyez le taille-bordure après chaque utilisation.**

Veuillez consulter la section intitulée « **MAINTENANCE** » pour des instructions sur le nettoyage.

**⚠ AVERTISSEMENT:** N'utilisez jamais d'eau pour nettoyer votre taille-haie. Évitez d'utiliser des solvants lorsque vous nettoyez des pièces en plastique. La plupart des plastiques sont susceptibles d'être endommagés par divers types de solvants commerciaux. Utilisez des chiffons propres pour retirer les saletés, la poussière, l'huile, la graisse, etc.

## Assurez-vous que la tête du taille-bordure n'est pas bloquée.

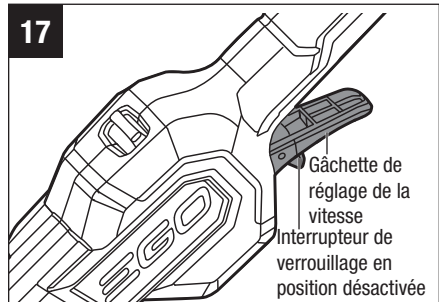
Pour éviter tout blocage, gardez la tête du taille-bordure propre. Retirez toute l'herbe coupée, les feuilles, les saletés et tous les autres débris accumulés avant et après chaque utilisation.

En cas de blocage, arrêtez le taille-bordure et retirez-en la pile. Puis retirez la toute l'herbe qui peut s'être accumulée autour de l'arbre du moteur ou de la tête du taille-bordure.

## MISE EN MARCHÉ / ARRÊT DU TAILLE-BORDURE

### Pour démarrer

1. Poussez l'interrupteur de verrouillage en position d'arrêt vers l'avant, puis appuyez sur la gâchette de réglage de la vitesse. Le taille-bordure se mettra alors en marche.



2. La vitesse de rotation de la tête du taille-bordure est contrôlée par la gâchette de réglage de la vitesse. Une pression plus forte sur la gâchette produit une vitesse plus élevée ; une pression réduite sur la gâchette produit une vitesse plus basse. Réglez la vitesse en fonction de la tâche à accomplir (Fig. 17).

**REMARQUE:** Le moteur ne fonctionne que lorsque l'interrupteur de verrouillage en position d'arrêt est déplacé vers l'avant et lorsque la gâchette de réglage de la vitesse est comprimée en même temps.

### Pour arrêter le taille-bordure

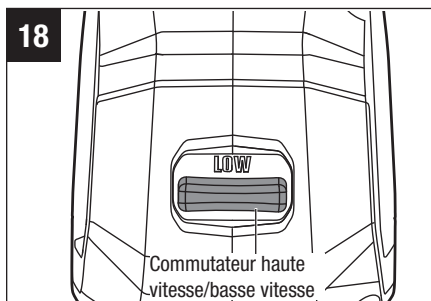
Déplacez le taille-bordure dans le sens opposé à la zone de coupe et relâchez la gâchette de réglage de la vitesse pour arrêter la machine.

**AVERTISSEMENT :** Retirez toujours le bloc-piles du taille-bordure pendant les pauses et après avoir fini votre travail.

## Fonction de réglage de la vitesse (Fig. 18)

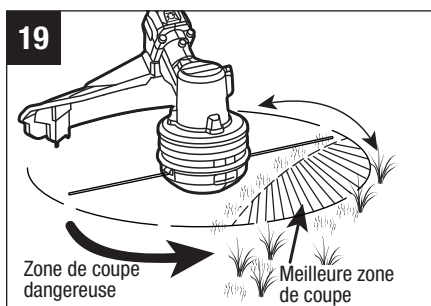
Le taille-bordure a deux réglages de vitesse possibles.

Déplacez le commutateur de réglage de la vitesse (haute ou basse) vers l'avant ou vers l'arrière pour choisir la vitesse basse ou la vitesse élevée.



## CONSEILS POUR LA MEILLEURE COUPE POSSIBLE (Fig. 19)

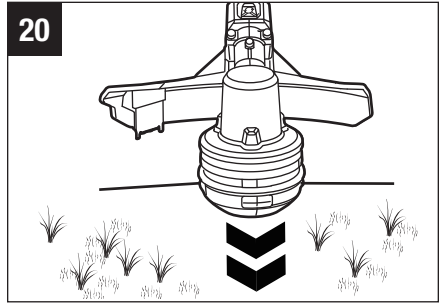
- L'angle correct pour l'attachement de coupe est quand il est parallèle au sol.
- Ne forcez pas le taille-bordure. Laissez la pointe du fil faire la coupe (en particulier le long des murs). Si vous coupez avec plus que la pointe, vous réduisez l'efficacité de la coupe et vous risquez également de surcharger le moteur.
- La hauteur de coupe est déterminée par la distance entre le fil de coupe et la surface de la pelouse.
- L'herbe de plus de 20 cm / 8 po de haut doit être coupée en travaillant de haut en bas en petits incréments pour éviter une usure prématurée du fil ou un ralentissement du moteur.
- Déplacez lentement le taille-bordure dans la zone à couper et faites-le ressortir de cette zone lentement, tout en maintenant la position de la tête de coupe à la hauteur de coupe désirée. Ce mouvement peut être soit un mouvement d'avant en arrière, soit un mouvement latéral. Le fait de couper des longueurs plus courtes produit les meilleurs résultats.
- Ne coupez pas quand la pelouse et les mauvaises herbes sont mouillées.
- Le contact avec les fils de fer et les clôtures en lattes verticales peut causer une usure plus rapide ou le bris de l'équipement. Tout contact avec les murs en pierres ou en briques, les trottoirs et le bois peut user rapidement la chaîne de l'équipement.



- Évitez les arbres et les arbustes. L'écorce des arbres, les moulures en bois, les revêtements d'habitations et les poteaux de clôtures peuvent être facilement endommagés par cet équipement.

## RÉGLAGE DE LA LONGUEUR DU FIL DE COUPE

La tête du taille-bordure permet à l'opérateur de relâcher une longueur supplémentaire de fil de coupe sans devoir arrêter le moteur. Lorsque fil s'effiloche ou devient usé, il est possible de relâcher plus de fil en tapotant légèrement la tête du taille-bordure contre le sol tout en laissant le taille-bordure en marche (Fig. 20).



**⚠ AVERTISSEMENT:** Ne retirez pas et n'altérez pas l'ensemble de lame pour couper le fil. Une longueur de fil excessive causera la surchauffe du moteur et pourrait entraîner une blessure grave.

Pour obtenir les meilleurs résultats possibles, tapotez la tête du taille-bordure sur le sol nu ou sur une surface dure. Si vous tentez de relâcher le fil dans de l'herbe haute, le moteur risque de surchauffer. Gardez toujours le fil de coupe complètement sorti. Il est plus difficile de relâcher du fil si le fil de coupe est plus court.

## REPLACEMENT DU FIL

**⚠ AVERTISSEMENT:** N'utilisez jamais un fil renforcé par du métal, un fil métallique, une corde, etc. Ils risqueraient de se casser et de devenir des projectiles dangereux.

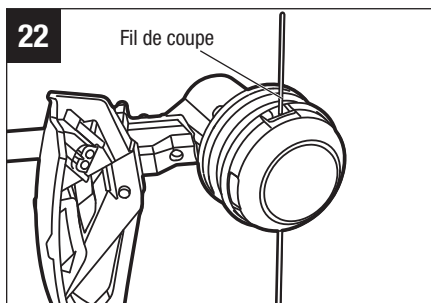
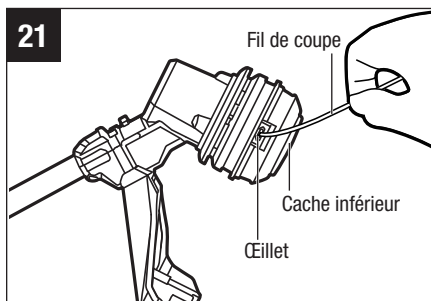
**⚠ AVERTISSEMENT:** Utilisez toujours le fil de coupe en nylon recommandé avec un diamètre qui ne dépasse pas 2,4 mm / 0,095 po. L'utilisation d'un fil de diamètre différent de celui qui est indiqué pourrait causer une surchauffe de la machine ou son endommagement.

Le taille-bordure est muni d'un système POWERLOAD™ très perfectionné. Le fil de coupe peut être enroulé sur la bobine simplement en appuyant sur un seul bouton. Le chargement d'une bobine pleine peut habituellement être réalisé en 12 secondes. **Évitez de répéter l'activation du système d'enroulement en succession rapide afin de réduire le risque d'endommagement du moteur.**

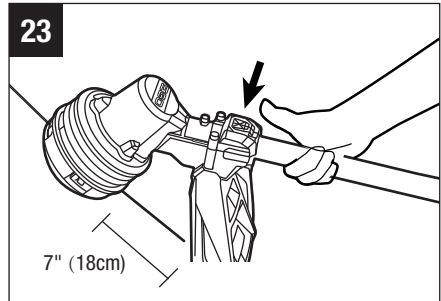
1. Détachez le bloc-piles du taille-bordure.
2. Coupez un morceau de fil de coupe de 4 m / 14 pi de long.
3. Insérez le fil dans l'œillet (Fig. 21) et poussez le fil jusqu'à ce que le bout du fil ressorte de l'œillet opposé.

**REMARQUE:** Il n'est pas nécessaire d'aligner les œillets pour pouvoir insérer le fil de coupe. Si le fil ne peut pas être inséré dans l'œillet, montez le bloc-piles sur le taille-bordure, puis appuyez brièvement sur le bouton POWERLOAD pour réinitialiser le mécanisme d'enroulement.

4. Retirez le bloc-piles s'il avait été monté sur le taille-bordure lors de la troisième étape.
5. Tirez le fil depuis l'autre côté jusqu'à ce que des longueurs de fil égales apparaissent des deux côtés de la tête du taille-bordure (Fig. 22).
6. Installez le bloc-piles sur le taille-bordure.



7. Appuyez sur le bouton POWERLOAD et maintenez-le enfoncé pour mettre le moteur d'enroulement du fil en marche. Le fil sera enroulé continuellement sur la tête du taille-bordure (Fig. 23).
8. Observez attentivement la longueur de fil restante. Préparez-vous à relâcher le bouton dès qu'il restera environ 22 cm / 8,5 po de fil de chaque côté. Appuyez brièvement sur le bouton de chargement du fil afin de régler la longueur jusqu'à ce que 18 cm / 7 po de fil soit visible de chaque côté.

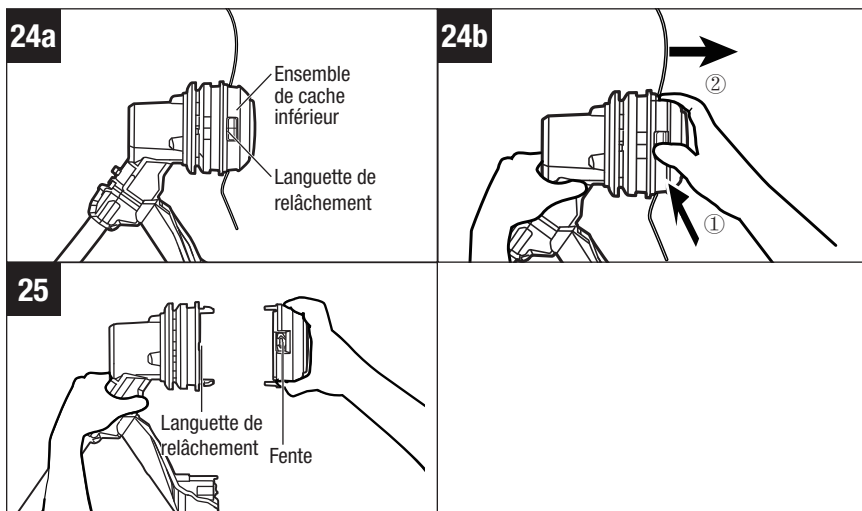


**REMARQUE:** Au cas où le fil serait attiré dans la tête du taille-bordure par accident, ouvrez la tête et tirez sur le fil de coupe pour le faire sortir de la bobine. Suivez les instructions de la section intitulée « **RECHARGEMENT DU FIL DE COUPE** » dans ce mode d'emploi pour recharger le fil.

## RECHARGEMENT DU FIL DE COUPE

**REMARQUE:** Lorsque le fil de coupe se casse au niveau de l'œillet de sortie du fil ou lorsque le fil de coupe ne se libère pas lorsque vous tapotez la tête du taille-bordure, il faut retirer le reste du fil de coupe de la tête du taille-bordure et suivre les instructions ci-dessous pour recharger le fil.

1. Détachez le bloc-piles du taille-bordure.
2. Appuyez sur les languettes de relâchement sur la tête du taille-bordure et retirez l'ensemble de cache inférieur de la tête du taille-bordure en tirant tout droit pour le faire sortir (Fig. 24a & 24b).
3. Retirez le fil de coupe de la tête du taille-bordure.
4. Tout en tenant le taille-bordure d'une main, servez-vous de l'autre main pour saisir l'ensemble de cache inférieur, et alignez les fentes dans l'ensemble de cache inférieur sur les languettes de relâchement. Appuyez sur l'ensemble de cache inférieur jusqu'à ce qu'il soit positionné en place. Vous entendrez alors un déclic très clair (Fig. 25).
5. Suivez les instructions figurant dans la section intitulée « **REMPACEMENT DU FIL** » pour recharger le fil de coupe.



## MAINTENANCE

**⚠ AVERTISSEMENT:** Lors de toute réparation, n'utilisez que des pièces de rechange identiques. L'utilisation de toutes autres pièces de rechange pourrait créer un danger ou endommager le produit. Pour assurer la sécurité et la fiabilité, toutes les réparations doivent être effectuées par un technicien de service qualifié.

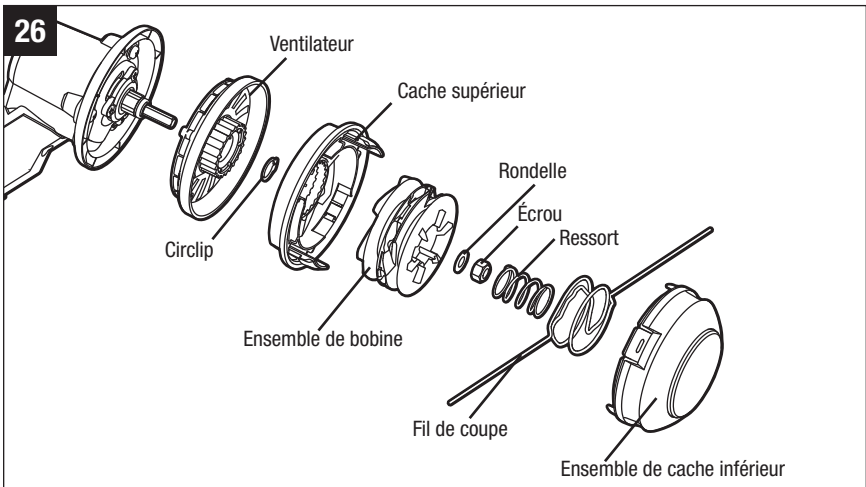
**⚠ AVERTISSEMENT:** Il n'est pas nécessaire de brancher les machines alimentées par des piles dans une prise de courant ; elles sont toujours prêtes à fonctionner. Pour éviter tout risque de blessure grave, prenez des précautions supplémentaires lorsque vous effectuez une opération d'entretien ou de maintenance, ou lorsque vous changez l'attache de coupe ou d'autres attachements.

**⚠ AVERTISSEMENT:** Pour éviter tout risque de blessure grave, retirez le bloc-piles de la machine avant de la réparer, de la nettoyer ou de retirer des déchets de la machine.

Toutes les opérations d'entretien du taille-haie, à l'exception de celles qui sont mentionnées dans ces instructions de maintenance, doivent être effectuées par des techniciens qualifiés pour la réparation d'un taille-bordure.

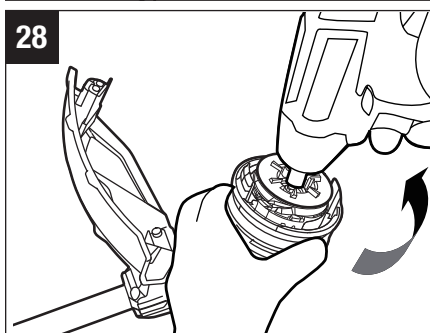
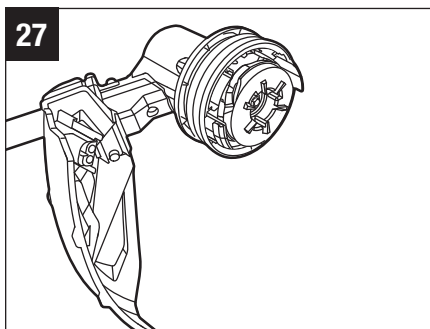
### REPLACEMENT DE LA TÊTE DU TAILLE-BORDURE

**⚠ DANGER:** Si la tête se desserre après avoir été fixée en place, remplacez-la immédiatement. N'utilisez jamais un taille-bordure dont un attache de coupe est mal assujéti. Remplacez immédiatement toute tête fissurée, endommagée ou usée, même si le dommage est limité à des fissures superficielles. De tels attachements risqueraient de se fracasser à haute vitesse et de causer des blessures graves.

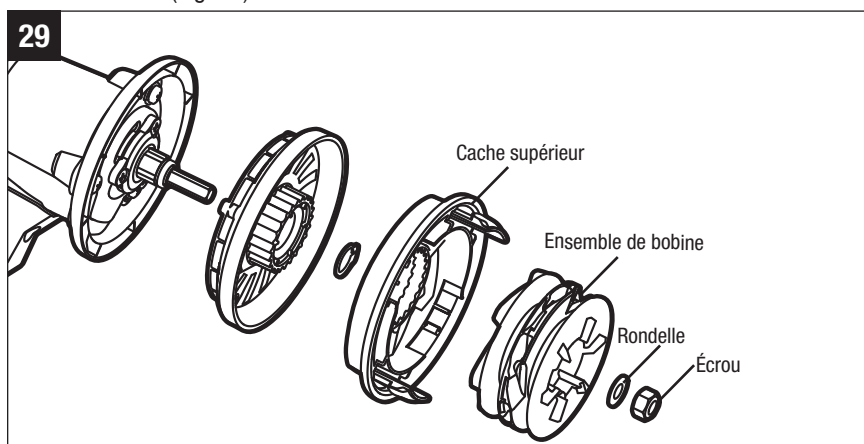


## Retrait de la tête du taille-bordure

1. Détachez le bloc-piles du taille-bordure.
2. Appuyez sur les deux languettes de relâchement sur la tête du taille-bordure et retirez l'ensemble de cache inférieur de la tête du taille-bordure en tirant tout droit pour le faire sortir (voir Fig. 24a & 24b).
3. Retirez le fil de coupe de la tête du taille-bordure (Fig. 26).
4. Retirez le ressort de l'ensemble de bobine, si nécessaire. Conservez-le pour le remontage (Fig. 26).
5. Portez des gants. D'une main, saisissez l'ensemble de la bobine pour la stabiliser, et de l'autre, utilisez une clé à chocs avec une douille de 13 mm (non fournie) pour desserrer l'écrou dans le sens inverse des aiguilles d'une montre (Fig. 28).



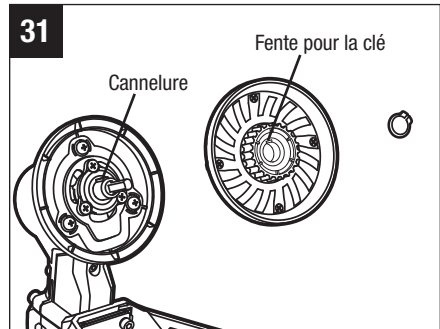
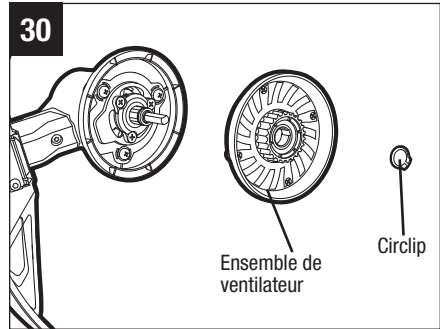
6. Retirez l'écrou, la rondelle, l'ensemble de bobine et le cache supérieur de l'arbre du moteur (Fig. 29).



7. Utilisez une pince à circlips (non incluse) pour RETIRER le circlip. Retirez l'ensemble de ventilateur (Fig. 30).
8. Remplacez la tête du taille-bordure par une nouvelle tête de taille-bordure et montez-la selon les étapes ci-après.

### Installation de la nouvelle tête du taille-bordure

1. Alignez la fente en forme de trou de serrure de l'ensemble de ventilateur sur la languette de l'arbre du moteur et montez l'ensemble de ventilateur en place (Fig. 31).
2. Montez le circlip, le cache supérieur, l'ensemble de bobine et la rondelle, dans cet ordre. Utilisez une clé à chocs pour serrer l'écrou.



3. Suivez les étapes 4 & 5 de la section intitulée « **RECHARGEMENT DU FIL DE COUPE** » dans ce mode d'emploi pour monter l'ensemble de cache inférieur.
4. Suivez les instructions figurant dans la section intitulée « **REPLACEMENT DU FIL** » dans ce mode d'emploi pour recharger le fil de coupe.
5. Mettez l'outil en marche pour voir si le taille-bordure fonctionne normalement. S'il ne fonctionne pas normalement, remontez-le tel que décrit ci-dessus.

### NETTOYAGE DE L'ÉQUIPEMENT

- Retirez la pile.
- Détachez toute l'herbe qui peut s'être accumulée autour de l'arbre du moteur ou de la tête du taille-bordure.
- Utilisez une petite broche et/ou un aspirateur avec un suceur étroit pour nettoyer les événements d'aération sur le logement arrière.
- Assurez-vous que les événements d'aération ne sont jamais bouchés.

- Nettoyez l'équipement en utilisant un chiffon humide avec un détergent doux.
- N'utilisez pas de détergents trop forts sur le boîtier en plastique ou sur la poignée. Ils pourraient être endommagés par certaines huiles aromatiques, comme le pin et le citron, et par des solvants tels que le kérosène.
- L'humidité peut également causer un risque de choc. Essuyez toute humidité avec un chiffon doux et sec.

## **AFFÛTAGE DE LA LAME DE COUPE DU FIL**

**⚠ AVERTISSEMENT :** Protégez toujours vos mains en portant des gants épais lorsque vous effectuez des travaux d'entretien sur la lame de coupe du fil.

1. Détachez le bloc-piles du taille-bordure.
2. Retirez la lame de coupe du fil du dispositif de protection.
3. Sécurisez la lame dans un étai.
4. Portez une protection des yeux appropriée ainsi que des gants, et faites attention de ne pas vous couper.
5. Affûtez les bords de coupe de la lame avec précaution en utilisant une lime à dents fines ou une pierre à aiguiser, et veillez à conserver l'angle du bord de coupe d'origine.
6. Réinstallez la lame sur le dispositif de protection et sécurisez-la en place au moyen des deux vis prévues à cet effet.

## **TRANSPORT ET RANGEMENT**

- Détachez le bloc-piles du taille-bordure.
- Nettoyez soigneusement la machine avant de la ranger.
- Rangez l'équipement dans un endroit sec et bien aéré, verrouillé ou en hauteur, hors de portée des enfants. Ne rangez pas cet équipement sur des engrais, de l'essence ou d'autres produits chimiques, ou à proximité de ceux-ci.
- Tenez-le à distance des agents corrosifs tels que des produits chimiques de jardins et des sels pour faire fondre la glace.

## RECHERCHE DE LA CAUSE DES PROBLÈMES

PROBLÈME	CAUSE	SOLUTION
Le taille-bordure ne se met pas en marche.	<ul style="list-style-type: none"> <li>■ Le bloc-piles n'est pas attaché au taille-bordure.</li> <li>■ Il n'y a pas de contact électrique entre le taille-bordure et le bloc-piles.</li> <li>■ Le bloc-piles est déchargé.</li> <li>■ L'interrupteur de verrouillage en position d'arrêt n'est pas déplacé vers l'avant avant d'appuyer sur la gâchette du variateur de vitesse.</li> <li>■ De l'herbe empêche l'arbre du moteur ou la tête du taille-bordure de fonctionner normalement.</li> </ul>	<ul style="list-style-type: none"> <li>■ Attachez le bloc-piles au taille-bordure.</li> <li>■ Retirez les piles, inspectez les contacts et réinstallez le bloc-piles.</li> <li>■ Chargez le bloc-piles.</li> <li>■ Poussez l'interrupteur de verrouillage en position d'arrêt vers l'avant, puis appuyez sur la gâchette de réglage de la vitesse.</li> <li>■ Retirez l'herbe de l'arbre du moteur et de la tête du taille-bordure.</li> </ul>
Le taille-bordure cesse de fonctionner pendant qu'il est en train de couper.	<ul style="list-style-type: none"> <li>■ Le dispositif de protection n'est pas monté sur le taille-bordure, ce qui produit un fil de coupe excessivement long et entraîne la surcharge du moteur.</li> <li>■ Un fil de coupe lourd est utilisé.</li> <li>■ Le bloc-piles ou le taille-bordure est trop chaud.</li> <li>■ Le bloc-piles est déconnecté de l'outil.</li> <li>■ Le bloc-piles est déchargé.</li> </ul>	<ul style="list-style-type: none"> <li>■ Retirez le bloc-piles et montez le dispositif de protection sur le taille-bordure.</li> <li>■ Utilisez un fil de coupe en nylon recommandé avec un diamètre ne dépassant pas 2,4 mm / 0,095 po.</li> <li>■ Laissez les piles ou le taille-bordure refroidir.</li> <li>■ Réinstallez le bloc-piles.</li> <li>■ Chargez le bloc-piles.</li> </ul>

PROBLÈME	CAUSE	SOLUTION
La tête du taille-bordure ne fait pas avancer le fil.	<ul style="list-style-type: none"> <li>■ De l'herbe empêche l'arbre du moteur ou la tête du taille-bordure de fonctionner normalement.</li> <li>■ Il n'y a pas assez de fil sur la bobine ou le fil se casse au niveau de l'œillet.</li> <li>■ Le fil est emmêlé.</li> <li>■ Le fil est trop court.</li> <li>■ Un fil de coupe lourd est utilisé.</li> <li>■ Mauvais fonctionnement de la tête du taille-bordure.</li> </ul>	<ul style="list-style-type: none"> <li>■ Arrêtez le taille-bordure, retirez les piles et détachez l'herbe pouvant s'être accumulée sur l'arbre du moteur et la tête du taille-bordure.</li> <li>■ Retirez les piles et remplacez le fil de coupe en suivant les instructions figurant dans la section intitulée « <b>REMPLACEMENT DU FIL</b> » dans ce mode d'emploi.</li> <li>■ Retirez les piles, retirez le fil de la tête du taille-bordure et rembobinez en suivant les instructions figurant dans la section intitulée « <b>RECHARGEMENT DU FIL DE COUPE</b> » dans ce mode d'emploi.</li> <li>■ Retirez les piles et tirez à la main sur les fils tout en enfonçant et relâchant alternativement la tête du taille-bordure.</li> <li>■ Utilisez un fil de coupe en nylon recommandé avec un diamètre ne dépassant pas 2,4 mm / 0,095 po.</li> <li>■ Appelez le Centre de service à la clientèle EGO pour obtenir de l'aide.</li> </ul>
De l'herbe enveloppe la tête du taille-bordure et le carter du moteur.	<ul style="list-style-type: none"> <li>■ Coupe d'herbes hautes au niveau du sol</li> </ul>	<ul style="list-style-type: none"> <li>■ Coupez l'herbe haute de haut en bas, en ne coupant pas plus de 20 cm / 8 po à la fois afin d'éviter qu'elle ne s'accumule.</li> </ul>
La lame ne coupe pas le fil.	<ul style="list-style-type: none"> <li>■ La lame pour couper le fil sur le bord du dispositif de protection est émoussée.</li> </ul>	<ul style="list-style-type: none"> <li>■ Suivez les instructions afin d'affûter la lame pour couper le fil ou remplacez-la par une nouvelle lame.</li> </ul>

PROBLÈME	CAUSE	SOLUTION
<p>Fissures sur la tête du taille-bordure</p>	<ul style="list-style-type: none"> <li>■ La tête du taille-bordure est usée.</li> </ul>	<ul style="list-style-type: none"> <li>■ Remplacez immédiatement la tête du taille-bordure en suivant les instructions figurant dans la section intitulée « <b>REMPLACEMENT DE LA TÊTE DU TAILLE-BORDURE</b> » dans ce mode d'emploi.</li> </ul>
<p>Le fil de coupe ne peut pas être enroulé correctement dans la tête du taille-bordure.</p>	<ul style="list-style-type: none"> <li>■ Un fil de coupe inapproprié est utilisé.</li> <li>■ Des débris d'herbe ou des saletés se sont accumulés dans la tête du taille-bordure et ont bloqué le mouvement de la bobine de fil.</li> <li>■ Le moteur est en état de surchauffe en raison de l'utilisation répétée du système d'enroulement du fil.</li> <li>■ Pile partiellement déchargée.</li> <li>■ Le fil n'est pas enroulé dans l'ensemble de la bobine.</li> <li>■ Mauvais fonctionnement de la tête du taille-bordure.</li> </ul>	<ul style="list-style-type: none"> <li>■ Nous suggérons que vous utilisiez le fil de coupe en nylon d'origine d'EGO indiqué dans le chapitre intitulé « <b>ACCESSOIRES RECOMMANDÉS</b> » dans ce mode d'emploi. Si le problème persiste même en utilisant le fil de nylon EGO, veuillez appeler le centre de service à la clientèle d'EGO.</li> <li>■ Retirez la pile, ouvrez la tête du taille-bordure et nettoyez-la complètement.</li> <li>■ Laissez le taille-bordure fonctionner à vide pendant quelques minutes afin de refroidir le moteur, puis essayez de recharger le fil.</li> <li>■ Rechargez la pile.</li> <li>■ Retirez le fil et réinsérez-le.</li> <li>■ Appelez le Centre de service à la clientèle EGO pour obtenir de l'aide.</li> </ul>

<b>PROBLÈME</b>	<b>CAUSE</b>	<b>SOLUTION</b>
Le fil de coupe ne peut pas être acheminé à travers la tête du taille-bordure quand vous insérez le fil.	<ul style="list-style-type: none"><li>■ Le fil de coupe est fendu ou recourbé à son extrémité.</li></ul>	<ul style="list-style-type: none"><li>■ Coupez le bout usé du fil et réinsérez le fil.</li></ul>

# GARANTIE LIMITÉE D'EGO

## CONDITIONS ET DURÉE DE LA POLITIQUE DE GARANTIE

Chervon North America, Inc. (« Chervon North America ») accorde la Garantie limitée suivante pour les produits EGO à l'acheteur initial de produits EGO.

La période de garantie détaillée de chaque produit EGO est indiquée en ligne à l'adresse <http://egopowerplus.com/warranty-policy>.

**Veillez contacter le Service à la clientèle d'EGO en téléphonant au 1-855-EGO-5656 (appel gratuit)** à tout moment en cas de questions, si vous voulez vous prévaloir de la garantie ou si vous souhaitez obtenir une version sur papier de la garantie.

## GARANTIE LIMITÉE DE SERVICE APRÈS-VENTE

Les produits EGO sont garantis contre tout défaut de matériel ou de fabrication à partir de la date d'achat au détail originale et pendant la période de garantie applicable. Pour toute demande de garantie soumise correctement et dans les délais, si Chervon North America détermine qu'un produit est défectueux pendant la période de garantie, le produit sera réparé ou remplacé gratuitement, selon ce qui aura été déterminé par Chervon North America.

## COMMENT OBTENIR DE L'ASSISTANCE DANS LE CADRE DU SERVICE APRÈS-VENTE

Pour obtenir de l'assistance dans le cadre de la garantie (pendant la période de garantie applicable), veuillez contacter le service à la clientèle d'EGO en téléphonant au **1-855-EGO-5656** (appel gratuit). Lorsque vous demandez de l'assistance dans le cadre de la garantie, vous devez présenter le reçu de vente original daté. Un centre de service après-vente agréé sera sélectionné pour évaluer et réparer le produit défectueux conformément aux conditions de garantie énoncées. Lorsque vous apportez votre produit au centre de service après-vente agréé, il se peut qu'une petite caution vous soit demandée lors du dépôt de votre outil. Cette caution est remboursable lorsque le service de réparation est considéré comme étant couvert par la garantie. Il incombe à l'acheteur d'effectuer le transport de tous les équipements électriques d'extérieur ou attachements à ses frais.

## LIMITATIONS ET EXCLUSIONS SUPPLÉMENTAIRES

Cette garantie limitée ne s'applique qu'à l'acheteur initial d'un produit à un revendeur agréé EGO, et elle ne peut pas être cédée. Les produits EGO ne sont pas considérés comme défectueux et la présente garantie ne s'applique pas lorsque le défaut invoqué est imputable à une cause autre que les défauts définis ci-dessus. Cette garantie



est nulle et non avenue si le produit a été utilisé à des fins de location. La présente garantie ne s'applique pas aux dommages causés par un accident, un abus, une mauvaise utilisation, une altération, une modification, une réparation non autorisée, un contact avec un liquide, un incendie, un tremblement de terre ou toute autre cause externe ; par une utilisation du produit en dehors des instructions, spécifications ou directives d'EGO ; ou par un manquement à l'entretien ou à la maintenance convenable du produit. Cette garantie ne s'applique pas non plus aux dommages esthétiques, y compris, mais sans s'y limiter, les rayures ou les bosses, ainsi qu'aux défauts causés par l'usure normale ou autrement dus au vieillissement normal du produit.

CETTE GARANTIE EXPRESSE EST DONNÉE EN LIEU ET PLACE DE TOUTE AUTRE GARANTIE, EXPRESSE OU IMPLICITE, Y COMPRIS, MAIS SANS S'Y LIMITER, TOUTE GARANTIE DE QUALITÉ MARCHANDE OU D'ADÉQUATION À UN USAGE PARTICULIER, QUI EST REJETÉE. Toute garantie implicite, y compris la garantie de qualité marchande ou d'adéquation à un usage particulier qui ne peut être rejetée en vertu de la loi de l'État ou de la province est limitée à la période de garantie applicable définie au début de cet article. Le seul et unique recours en rapport avec l'achat, l'installation, l'utilisation et/ou la performance des produits EGO est la réparation ou le remplacement du produit selon la décision de Chervon North America. La responsabilité maximale de Chervon North America ne dépassera en aucun cas le prix d'achat payé pour le produit. CHERVON NORTH AMERICA NE SERA PAS RESPONSABLE ENVERS L'UTILISATEUR OU TOUTE AUTRE PERSONNE DES DOMMAGES CONSÉCUTIFS, ACCIDENTELS, SPÉCIAUX, EXEMPLAIRES, INDIRECTS OU PUNITIFS RÉSULTANT DE L'UTILISATION DES PRODUITS, Y COMPRIS, MAIS SANS S'Y LIMITER, LES PRÉJUDICES CORPORELS, LA MORT, LES DOMMAGES MATÉRIELS, LA PERTE DE BÉNÉFICES OU TOUT AUTRE DOMMAGE ÉCONOMIQUE. Cette garantie vous confère des garanties juridiques particulières, et vous pouvez aussi avoir d'autres droits, qui varient selon l'État ou la province. Étant donné que certains États et certaines provinces ne permettent pas de limitations quant à la durée d'une garantie implicite ou ne permettent pas l'exclusion ou la limitation des dommages indirects ou secondaires, ou le délai de prescription pour intenter certaines actions, il est possible que les limitations contenues aux présentes ne s'appliquent pas à consommateurs dans ces États ou provinces.

Cette garantie est soumise au droit du Michigan et doit être interprétée conformément au droit du Michigan sans tenir compte des principes de conflits de lois. Aucune action en justice ne pourra être intentée contre Chervon North America si elle n'est pas déposée dans un délai d'un (1) an après que le fondement de cette action en justice aura été connu, ou qu'il aurait dû l'être si une diligence raisonnable avait été exercée. Toute action non intentée dans les délais est réputée abandonnée.

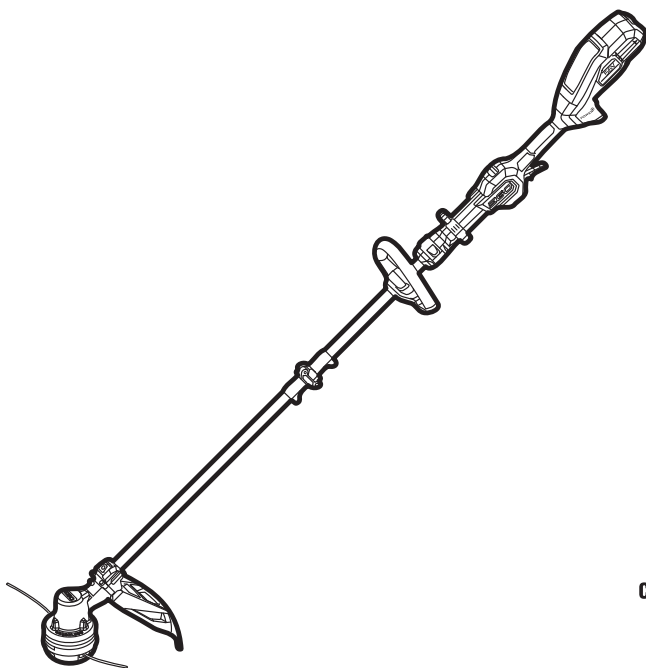
Pour le service à la clientèle, contactez-nous en téléphonant au numéro suivant (appel gratuit) : **1-855-EGO-5656** ou **EGOPOWERPLUS.COM**.  
EGO Customer Service,  
769 Seward Ave. NW, Suite 102,  
Grand Rapids, Michigan 49504.

**80**

TAILLE-BORDURE SANS FIL DE 16 PO À PILES AU LITHIUM-ION DE 56 VOLTS — ST1610T/ST1610T-FC

# EGO™

POWER<sup>+</sup> STRING TRIMMER



MANUAL DE OPERACIONES

## ORILLADORA DE HILO INALÁMBRICA DE 16 PULGA- DAS DE ION LITIO DE 56 V

NÚMERO DE MODELO ST1610T/ST1610T-FC

**⚠ ADVERTENCIA:** Para reducir el riesgo de lesiones, el usuario debe leer y comprender el Manual del usuario antes de usar el producto. Guarde estas instrucciones para consultarlas en el futuro.

# ¡LEA TODAS LAS INSTRUCCIONES!



LEA Y ENTIENDA EL  
MANUAL DEL OPERADOR

## ÍNDICE

Símbolos de seguridad .....	83
Símbolos .....	84-85
Instrucciones de seguridad importantes .....	86-93
Introducción .....	93
Especificaciones .....	94
Lista de empaquetamiento .....	95
Descripción .....	96-98
Ensamblaje .....	99-103
Utilización .....	104-112
Mantenimiento .....	113-117
Resolución de problemas .....	118-120
Garantía Limitada de EGO .....	121-123

# SÍMBOLOS DE SEGURIDAD

La finalidad de los símbolos de seguridad es atraer la atención del usuario hacia posibles peligros. Los símbolos de seguridad y las explicaciones que los acompañan merecen que usted preste una atención detenida y logre una comprensión profunda. Las advertencias con símbolo no eliminan por sí mismas ningún peligro. Las instrucciones y las advertencias que dan no son sustitutos de las medidas adecuadas de prevención de accidentes.

**⚠ ADVERTENCIA:** Asegúrese de leer y entender todas las instrucciones de seguridad contenidas en este manual del propietario, incluyendo todos los símbolos de alerta de seguridad, tales como “**PELIGRO**”, “**ADVERTENCIA**” y “**PRECAUCIÓN**”, antes de utilizar esta máquina. Si no se siguen todas las instrucciones que se indican a continuación, es posible que el resultado sea descargas eléctricas, incendio y/o lesiones corporales graves.

Las definiciones que aparecen a continuación describen el nivel de gravedad de cada palabra de aviso. Por favor, lea el manual y preste atención a estos símbolos.

	<p>Este es el símbolo de alerta de seguridad. Se utiliza para alertarle a usted de peligros potenciales de lesiones corporales. Obedezca todos los mensajes de seguridad que sigan a este símbolo para evitar posibles lesiones o la muerte.</p>
	<p>PELIGRO indica una situación peligrosa que, si no se evita, causará la muerte o lesiones graves.</p>
	<p>ADVERTENCIA indica una situación peligrosa que, si no se evita, podría causar la muerte o lesiones graves.</p>
	<p>PRECAUCIÓN, utilizada con el símbolo de alerta de seguridad, indica una situación peligrosa que, si no se evita, causará lesiones leves o moderadas.</p>

## MENSAJES DE PREVENCIÓN DE DAÑOS E INFORMACIÓN

Estos mensajes ofrecen al usuario información y/o instrucciones importantes que, de no seguirse, podrían causar daños al equipo u otros daños materiales. Cada mensaje va precedido por la palabra “**AVISO**”, como en el ejemplo que aparece a continuación:

**AVISO:** Si no se siguen estas instrucciones, es posible que se produzcan daños al equipo y/o daños materiales.

# SÍMBOLOS

Esta página muestra y describe los símbolos que es posible que aparezcan en este producto. Lea, entienda y siga todas las instrucciones que se encuentran en la máquina antes de intentar ensamblarla y utilizarla.

	<p>Alerta de seguridad</p>	<p>Indica un peligro potencial de lesiones corporales.</p>
	<p>Lea y entienda el manual del operador</p>	<p>Para reducir el riesgo de lesiones, el usuario debe leer y entender el manual del operador antes de utilizar este producto.</p>
	<p>Use protección ocular</p>	<p>Use siempre anteojos de seguridad o gafas de seguridad con escudos laterales y una careta completa cuando utilice este producto.</p>
	<p>Símbolo de reciclaje</p>	<p>Este producto contiene baterías de ion litio (ion Li). Es posible que las leyes locales, estatales o federales prohíban la eliminación de las baterías de ion litio en la basura ordinaria. Consulte a su autoridad local de eliminación de residuos para obtener información sobre las opciones de reciclaje y/o eliminación disponibles.</p>
	<p>Esté atento a los objetos lanzados al aire</p>	<p>Alerta al usuario para que esté atento a los objetos lanzados al aire</p>
	<p>Desconecte la batería antes de realizar mantenimiento</p>	<p>Alerta al usuario para que desconecte la batería antes de realizar mantenimiento.</p>
	<p>Use protección de oídos</p>	<p>Alerta al usuario para que use protección ocular</p>

	Use protección de la cabeza	Alerta al usuario para que use protección de la cabeza
	La distancia entre la máquina y las personas presentes deberá ser de al menos 50 pies (15 m)	Alerta al usuario para que mantenga una distancia entre la máquina y las personas presentes de al menos 50 pies (15 m)
	No utilice hojas de metal	Alerta al usuario para que no utilice hojas de metal
IP...	Calificación de protección contra la penetración (IP)	Clasifica el grado de protección proporcionada por un recinto cerrado para equipos eléctricos.
V	Voltio	Tensión
mm	Milímetro	Longitud o tamaño
cm	Centímetro	Longitud o tamaño
in.	Pulgada	Longitud o tamaño
kg	Kilogramo	Peso
lb	Libra	Peso
	Corriente continua	Tipo o característica de corriente
RPM	Revoluciones por minuto	Velocidad rotacional
.../min	Revoluciones o reciprocaciones por minute	Acción en el sentido de la flecha

# INSTRUCCIONES DE SEGURIDAD IMPORTANTES

## Advertencias generales de seguridad para máquinas alimentadas por baterías

**⚠ ADVERTENCIA:** Lea todas las advertencias de seguridad, instrucciones, ilustraciones y especificaciones que se suministran con esta máquina. Si no se siguen todas las instrucciones que se indican a continuación, es posible que el resultado sea descargas eléctricas, incendio y/o lesiones graves.

**GUARDE TODAS LAS ADVERTENCIAS E INSTRUCCIONES PARA REFERENCIA FUTURA.**

El término “máquina” que se incluye en las advertencias se refiere a su máquina alimentada por la red eléctrica (alámbrica) o su máquina alimentada por baterías (inalámbrica).

## Seguridad en el área de trabajo

- **Mantenga el área de trabajo limpia y bien iluminada.** Las áreas desordenadas u oscuras invitan a que se produzcan accidentes.
- **No utilice máquinas en atmósferas explosivas, tales como las existentes en presencia de líquidos, gases o polvos inflamables.** Las máquinas generan chispas que es posible que prendan los polvos o los vapores.
- **Mantenga alejados a los niños y las personas presentes mientras esté utilizando una máquina.** Las distracciones pueden hacer que usted pierda el control de la máquina.

## Seguridad eléctrica

- **Los enchufes de las máquinas deben coincidir con el tomacorriente. No modifique nunca el enchufe de ninguna manera. No utilice enchufes adaptadores con máquinas conectadas a tierra (puestas a masa).** Los enchufes no modificados y los tomacorrientes coincidentes reducirán el riesgo de descargas eléctricas.
- **Evite el contacto del cuerpo con las superficies conectadas a tierra o puestas a masa, tales como tuberías, radiadores, estufas de cocina y refrigeradores.** Hay un mayor riesgo de descargas eléctricas si su cuerpo está conectado a tierra o puesto a masa.

- **No utilice la máquina en la lluvia ni en condiciones mojadas.** Es posible que la entrada de agua en la máquina aumente el riesgo de descargas eléctricas o funcionamiento incorrecto que podrían causar lesiones corporales.
- **No maltrate el cable. No utilice nunca el cable para transportar, jalar o desenchufar la máquina. Mantenga el cable alejado del calor, el aceite, los bordes afilados o las piezas móviles.** Los cables dañados o enredados aumentan el riesgo de descargas eléctricas.
- **Cuando utilice una máquina a la intemperie, use un cable de extensión que sea adecuado para uso a la intemperie.** La utilización de un cable de extensión adecuado para uso a la intemperie reduce el riesgo de descargas eléctricas.
- **Si es inevitable utilizar una máquina en un lugar húmedo, utilice una fuente de alimentación protegida por un interruptor de circuito accionado por corriente de pérdida a tierra (GFCI, por sus siglas en inglés).** El uso de un GFCI reduce el riesgo de descargas eléctricas.

## Seguridad personal

- **Manténgase alerta, fíjese en lo que está haciendo y use el sentido común cuando utilice una máquina. No utilice una máquina cuando esté cansado o bajo la influencia de drogas, alcohol o medicamentos.** Es posible que un momento de desatención mientras se estén utilizando máquinas cause lesiones corporales graves.
- **Use equipo de protección personal. Use siempre protección ocular.** El equipo de protección, tal como una máscara antipolvo, zapatos de seguridad antideslizantes, casco o protección de la audición, utilizado según lo requieran las condiciones, reducirá las lesiones corporales.
- **Prevenga los arranques accidentales. Asegúrese de que el interruptor esté en la posición de apagado antes de conectar la máquina a la fuente de alimentación y/o al paquete de batería, levantar la máquina o transportarla.** Si se transportan máquinas con el dedo en el interruptor o si se suministra corriente a máquinas que tengan el interruptor en la posición de encendido se invita a que se produzcan accidentes.
- **Retire todas las llaves de ajuste o de tuerca antes de encender la máquina.** Es posible que una llave de ajuste o de tuerca que se deje sujeta a una pieza móvil de la máquina cause lesiones corporales.
- **No intente alcanzar demasiado lejos. Mantenga un apoyo de los pies y un equilibrio adecuados en todo momento.** Esto permite un mejor control de la máquina en situaciones inesperadas.

- **Vístase adecuadamente. No use ropa holgada ni joyas. Mantenga el pelo y la ropa alejados de las piezas móviles.** La ropa holgada, las joyas o el pelo largo pueden quedar atrapados en las piezas móviles.
- **Si se proporcionan dispositivos para la conexión de instalaciones de extracción y recolección de polvo, asegúrese de que dichos dispositivos estén conectados y se utilicen correctamente.** El uso de dispositivos de recolección de polvo puede reducir los peligros relacionados con el polvo.
- **No deje que la familiaridad obtenida del uso frecuente de las máquinas le permita volverse complaciente e ignorar los principios de seguridad de las máquinas.** Una acción descuidada puede causar lesiones graves en una fracción de segundo.

## Uso y cuidado de las máquinas

- **No fuerce la máquina. Utilice la máquina correcta para la aplicación que vaya a realizar.** La máquina correcta hará el trabajo mejor y de manera más segura a la capacidad nominal para la que fue diseñada.
- **No utilice la máquina si el interruptor no la enciende y apaga.** Cualquier máquina que no se pueda controlar con el interruptor es peligrosa y debe ser reparada.
- **Desconecte el enchufe de la fuente de alimentación y/o retire el paquete de batería de la máquina, si es retirable, antes de hacer cualquier ajuste, cambiar accesorios o almacenar máquinas.** Dichas medidas preventivas de seguridad reducen el riesgo de arrancar accidentalmente la máquina.
- **Guarde las máquinas inactivas fuera del alcance de los niños y no deje que las personas que no estén familiarizadas con la máquina o con estas instrucciones utilicen la máquina.** Las máquinas son peligrosas en las manos de los usuarios que no hayan recibido capacitación.
- **Realice mantenimiento de las máquinas y los accesorios. Compruebe si hay desalineación o atoramiento de las piezas móviles, rotura de piezas y cualquier otra situación que pueda afectar al funcionamiento de la máquina. Si la máquina está dañada, haga que la reparen antes de utilizarla.** Muchos accidentes son causados por máquinas que reciben un mantenimiento deficiente.
- **Mantenga las máquinas de corte afiladas y limpias.** Las máquinas de corte mantenidas adecuadamente, con bordes de corte afilados, tienen menos probabilidades de atorarse y son más fáciles de controlar.
- **Utilice la máquina, los accesorios, las brocas de la máquina, etc., de acuerdo con estas instrucciones, teniendo en cuenta las condiciones**

**de trabajo y el trabajo que se vaya a realizar.** El uso de la máquina para operaciones distintas a las previstas podría causar una situación peligrosa.

- **Mantenga los mangos y las superficies de agarre secos, limpios y libres de aceite y grasa.** Es posible que los mangos resbalosos y las superficies de agarre resbalosas no permitan un manejo y un control seguros de la máquina en situaciones inesperadas.

## Uso y cuidado de las máquinas a batería

- **Recargue las baterías solo con el cargador especificado por el fabricante.** Es posible que un cargador que sea adecuado para un tipo de paquete de batería cree un riesgo de incendio cuando se utilice con otro paquete de batería.
- **Utilice las máquinas solo con paquetes de batería designados específicamente.** Es posible que el uso de cualquier otro paquete de batería cree un riesgo de lesiones e incendio.
- **Cuando el paquete de batería no se esté utilizando, manténgalo alejado de otros objetos metálicos, tales como clips sujetapapeles, monedas, llaves, clavos, tornillos u otros objetos metálicos pequeños, que puedan hacer una conexión de un terminal al otro.** Si se cortocircuitan juntos los terminales de la batería, es posible que se causen quemaduras o un incendio.
- **En condiciones abusivas es posible que se expulse líquido de la batería; evite el contacto. Si se produce contacto accidentalmente, enjuáguese con agua. Si el líquido entra en contacto con los ojos, obtenga además ayuda médica.** Es posible que el líquido expulsado de la batería cause irritación o quemaduras.
- **No utilice un paquete de batería o una máquina que estén dañados o modificados.** Es posible que las baterías dañadas o modificadas exhiban un comportamiento imprevisible que cause incendio, explosión o riesgo de lesiones.
- **No exponga un paquete de batería o una máquina a un fuego o a una temperatura excesiva.** Es posible que la exposición a un fuego o a una temperatura superior a 265 °F (130 °C) cause una explosión.
- **Siga todas las instrucciones de carga y no cargue el paquete de batería ni la máquina fuera del intervalo de temperatura especificado en las instrucciones.** Es posible que la realización de la carga de manera inadecuada o a temperaturas que estén fuera del intervalo especificado dañe la batería y aumente el riesgo de incendio.

## SERVICIO DE AJUSTES Y REPARACIONES

- **Haga que su máquina reciba servicio de ajustes y reparaciones por un técnico de reparaciones calificado que utilice únicamente piezas de repuesto idénticas.** Esto garantizará que se mantenga la seguridad de la máquina.
- **No haga nunca servicio de ajustes y reparaciones de paquetes de batería dañados.** El servicio de ajustes y reparaciones de los paquetes de batería deberá ser realizado solo por el fabricante o por proveedores de servicio autorizados.

## Advertencias de seguridad para orilladoras de hilo

- **No utilice la máquina en malas condiciones climáticas, especialmente cuando haya riesgo de rayos.** Esto reduce el riesgo de ser alcanzado por rayos.
- **Inspeccione minuciosamente el área para comprobar si hay animales salvajes en el lugar donde se vaya a utilizar la máquina.** Es posible que los animales salvajes sean lesionados por la máquina durante su utilización.
- **Inspeccione minuciosamente el área donde se va a utilizar la máquina y retire todas las piedras, palos, alambres, huesos y otros objetos extraños.** Los objetos lanzados al aire pueden causar lesiones corporales.
- **Antes de utilizar la máquina, inspeccione siempre visualmente el cortador o la hoja y el ensamblaje del cortador o de la hoja para asegurarse de que no estén dañados.** Las piezas dañadas aumentan el riesgo de lesiones.
- **Siga las instrucciones para cambiar accesorios.** Si las tuercas o los pernos que sujetan la hoja están apretados incorrectamente, es posible que dañen la hoja o hagan que ésta se desprenda.
- **Use protección ocular, de oídos, de la cabeza y de las manos.** El equipo de protección adecuado reducirá las lesiones corporales por causa de residuos lanzados al aire o contacto accidental con el hilo de corte o la hoja.
- **Mientras esté utilizando la máquina, use siempre calzado antideslizante y protector.** No utilice la máquina cuando esté descalzo o usando sandalias abiertas. Esto reduce la posibilidad de lesiones en los pies por causa del contacto con los cortadores o los hilos en movimiento.
- **Mientras esté utilizando la máquina, use siempre pantalones largos.** La piel al descubierto aumenta la posibilidad de lesiones por causa de objetos lanzados al aire.

- **Mantenga alejadas a las personas presentes mientras esté utilizando la máquina.** Los residuos lanzados al aire pueden causar lesiones corporales graves.
- **Use siempre las dos manos cuando utilice la máquina.** Al agarrar la máquina con ambas manos se evitará la pérdida de control.
- **Agarre la máquina solo por las superficies de agarre con aislamiento, porque es posible que el hilo de corte o la hoja entre en contacto con cables ocultos.** Si el hilo de corte o las hojas entran en contacto con un cable que tenga corriente, es posible que hagan que las partes metálicas de la máquina que estén al descubierto tengan corriente, lo cual podría causar una descarga eléctrica al operador.
- **Mantenga siempre un apoyo adecuado de los pies y utilice la máquina solo cuando esté de pie en el piso.** Es posible que las superficies resbalosas o inestables causen una pérdida de equilibrio o de control de la máquina.
- **No utilice la máquina en pendientes excesivamente inclinadas.** Esto reduce el riesgo de pérdida de control, resbalamiento y caída, lo cual puede tener como resultado lesiones corporales.
- **Cuando trabaje en pendientes, esté siempre seguro del apoyo de los pies, trabaje siempre transversalmente a la cara de las pendientes, nunca hacia arriba o hacia abajo, y tenga precaución extrema cuando cambie de dirección.** Esto reduce el riesgo de pérdida de control, resbalamiento y caída, lo cual puede tener como resultado lesiones corporales.
- **Mantenga todas las partes del cuerpo alejadas del cortador, el hilo o la hoja cuando la máquina esté en funcionamiento. Antes de arrancar la máquina, asegúrese de que el cortador, el hilo o la hoja no esté en contacto con nada.** Es posible que un momento de desatención mientras se esté utilizando la máquina tenga como resultado lesiones a usted mismo o a otras personas.
- **No utilice la máquina por encima de la altura de la cintura.** Esto ayuda a prevenir un contacto accidental con el cortador o la hoja y permite un mejor control de la máquina en situaciones inesperadas.
- **Cuando corte arbustos o retoños que estén bajo tensión, esté alerta al efecto de resorte.** Al liberarse la tensión de las fibras de madera, es posible que el arbusto o el retoño golpee al operador y/o lance la máquina fuera de control.
- **Tenga precaución extrema cuando corte arbustos y retoños.** Es posible que el material delgado se enganche en la hoja y sea lanzado hacia usted o que lo jale y lo desequilibre.

- **Mantenga el control de la máquina y no toque los cortadores, los hilos o las hojas y otras piezas móviles peligrosas mientras aún estén en movimiento.** Esto reduce el riesgo de lesiones por causa de las piezas móviles.
- **Cuando despeje material atorado o haga servicio de ajustes y reparaciones de la máquina, asegúrese de que el interruptor esté en la posición de apagado y que el paquete de batería se haya retirado.** Es posible que un arranque accidental de la máquina mientras se esté despejando material atorado o haciendo servicio de ajustes y reparaciones tenga como resultado lesiones corporales graves.
- **Transporte la máquina con el interruptor de la misma en la posición de apagado y alejada de su cuerpo.** Un manejo adecuado de la máquina reducirá la posibilidad de contacto accidental con un cortador, un hilo o una hoja en movimiento.
- **Utilice solo los cortadores, los hilos, las cabezas de corte y las hojas especificados por el fabricante.** Es posible que las piezas de repuesto incorrectas aumenten el riesgo de rotura y lesiones.
- **Daños a la orilladora: Si golpea un objeto extraño con la orilladora o si ésta se engancha, pare de inmediato la herramienta, compruebe si tiene daños y haga que todos los daños sean reparados antes de intentar cualquier utilización adicional.** No utilice la orilladora con un protector roto o una bobina rota.
- **Si el equipo comienza a vibrar anormalmente, pare el motor y realice una comprobación inmediata para determinar la causa. Generalmente, la vibración es una advertencia de problemas. Es posible que un cabezal flojo vibre, se agriete, se rompa o se desprenda de la orilladora, lo cual puede causar lesiones graves o mortales. Asegúrese de que el aditamento de corte esté fijo adecuadamente en la posición correcta.** Si el cabezal se afloja después de fijarlo en la posición correcta, reemplácelo de inmediato. No utilice nunca una orilladora con un aditamento de corte flojo.
- **Utilice el producto solo con los paquetes de batería y los cargadores que se indican a continuación:**

PAQUETE DE BATERÍA	CARGADOR
BA1400, BA1400-FC, BA2800, BA2800-FC, BA4200, BA4200-FC, BA1400T, BA1400T-FC, BA2242T, BA2242T-FC, BA2800T, BA2800T-FC, BA3360T, BA3360T-FC, BA4200T, BA4200T-FC, BA4480T, BA4480T-FC, BA5600T, BA5600T-FC, BA6720T, BA6720T-FC	CH2100, CH2100-FC, CH3200, CH3200-FC, CH5500, CH5500-FC, CH2800D, CH2800D-FC, CH7000, CH7000-FC, CH7000T, CH7000T-FC

**NOTA:** La máquina debe usarse con el enlace de mochila EGO BH1001/BH1001-FC cuando se usa el paquete de baterías EGO de 6,0 Ah o mayor capacidad.

**¡GUARDE ESTAS INSTRUCCIONES!**

## INTRODUCCIÓN

Felicitaciones por su selección de una cortadora de césped EGO de ion litio de 56 V nueva. Esta cortadora de césped ha sido diseñada, concebida y fabricada para ofrecerle a usted la mejor confiabilidad y el mejor rendimiento posibles.

En caso de que tenga algún problema que no pueda remediar fácilmente, **sírvase contactar al Servicio al Cliente de EGO llamando al 1-855-EGO-5656.**


Este manual contiene información importante sobre el ensamblaje, la utilización y el mantenimiento seguros de su producto. Léalo detenidamente antes de utilizar la cortadora de césped. Tenga este manual al alcance de la mano para poder consultarlo en cualquier momento.

NÚMERO DE SERIE \_\_\_\_\_ FECHA DE COMPRA \_\_\_\_\_

LOS NÚMEROS DE MODELO Y DE SERIE SE ENCONTRARÁN EN UNA ETIQUETA COLOCADA EN LA PUERTA DE DESCARGA TRASERA.

USTED DEBERÁ ANOTAR TANTO EL NÚMERO DE SERIE COMO LA FECHA DE COMPRA Y MANTENERLOS EN UN LUGAR SEGURO PARA REFERENCIA FUTURA.

## ESPECIFICACIONES

Tensión	56 V 
Velocidad sin carga de trabajo	Baja: 4800/min (RPM)
	Alta: 6000/min (RPM)
Mecanismo de corte	Cabezal de avance por golpeo
Mecanismo de carga del hilo	Impulsado por motor
Tipo de hilo de corte	Hilo tranzado de nylon de 0,095 pulgadas (2,4 mm)
Anchura de corte	16 pulgadas (40 cm)
Calificación de protección contra la penetración	IPX4* (protegido contra las salpicaduras de agua)
Temperatura de funcionamiento	32 – 104 °F (0 – 40 °C)
Temperatura de almacenamiento	-4 – 158 °F (-20 – 70 °C)
Peso neto (incluyendo el protector)	7,5 lb (3,4 kg)

\* **NOTA:** La calificación IPX4 se basa en que la máquina y la batería se utilicen juntas como un sistema.

## ACCESORIOS RECOMENDADOS

NOMBRE DE LA PIEZA	NÚMERO DE MODELO
Hilo de corte	AL2420P/AL2450S/AL2420PD/AL2420PB/AL2470B

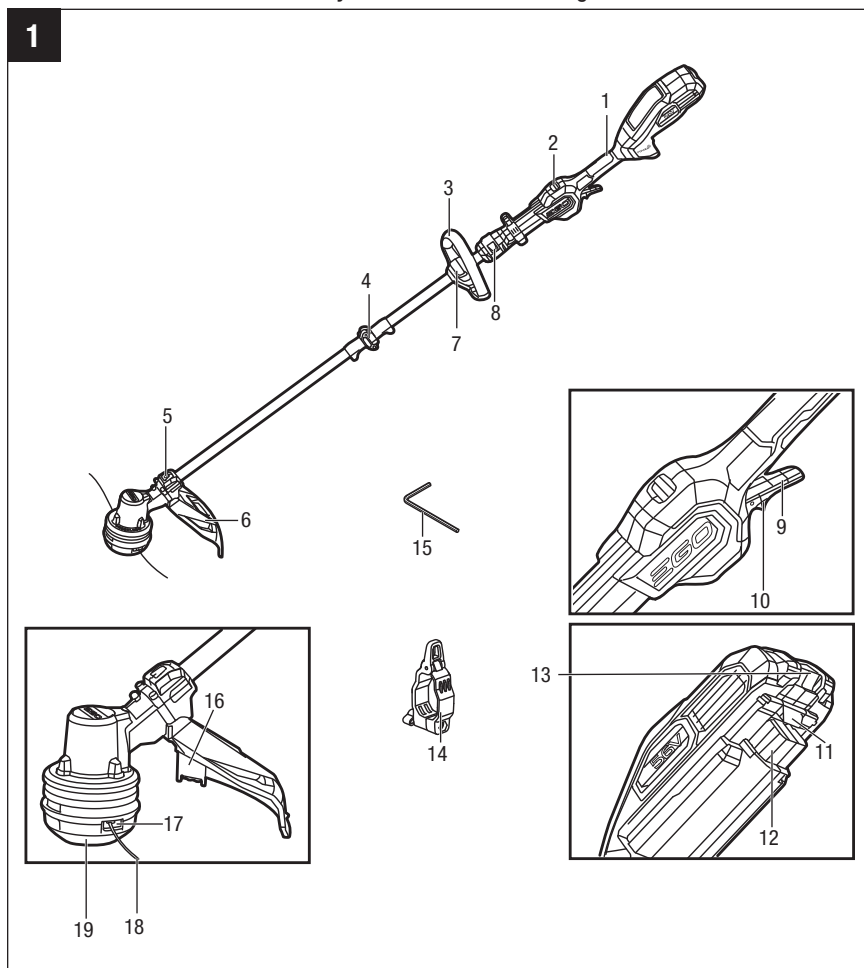
## LISTA DE EMPAQUETAMIENTO

NOMBRE DE LA PIEZA	CANTIDAD
Orilladora de hilo	1
Perno para el eje de fijación	1
Protector (con dos tornillos preensamblados en el protector)	1
Ensamblaje de la empuñadura delantera de ajuste rápido	1
Llave hexagonal	1
Hilo de corte	1
Bucle para la bandolera	1
Manual del operador	1

# DESCRIPCIÓN

## CONOZCA SU ORILLADORA DE HILO (Fig. 1)

El uso seguro de este producto requiere entender la información que se encuentra en la máquina y en este manual del operador, así como tener conocimiento del proyecto que se esté intentando realizar. Antes de utilizar este producto, familiarícese con todas las características de funcionamiento y todas las normas de seguridad.



1. Empuñadura trasera
2. Interruptor de velocidad alta/baja
3. Empuñadura delantera de ajuste rápido
4. Bisagra
5. Botón POWERLOAD™
6. Protector
7. Palanca de liberación rápida
8. Abrazadera de fijación de la altura
9. Gatillo de velocidad variable
10. Gatillo de fijación en apagado
11. Pestillo
12. Mecanismo de eyección
13. Botón de liberación de la batería
14. Bucle para la bandolera
15. Llave hexagonal
16. Hoja de corte del hilo
17. Lengüeta de liberación
18. Hilo de corte
19. Cabezal de la orilladora (cabezal de avance por golpeo)

**⚠ ADVERTENCIA:** No utilice nunca la máquina sin tener el protector firmemente instalado en la posición correcta. El protector debe estar siempre en la máquina para proteger al usuario.

## EMPUÑADURA DELANTERA DE AJUSTE RÁPIDO

Para controlar fácilmente la orilladora durante la operación de corte.

## EMPUÑADURA TRASERA

La empuñadura ergonómica con sobremoldura mejora la comodidad y el agarre.

## GATILLO DE VELOCIDAD VARIABLE

Enciende y apaga la orilladora de hilo.

## INTERRUPTOR DE FIJACIÓN EN APAGADO

Ayuda a prevenir la activación accidental del gatillo. Se debe presionar antes de que se pueda activar el gatillo de velocidad variable.

## BUCLE PARA LA BANDOLERA

Para instalar la bandolera.

## INTERRUPTOR DE VELOCIDAD ALTA/BAJA

Cambia entre los intervalos de velocidad de corte alta y baja para diferentes tareas, según sea necesario.

## **INDICADOR DE VELOCIDAD**

Muestra la velocidad de corte actual.

## **PROTECTOR**

Reduce el riesgo de lesiones causadas por objetos extraños que sean lanzados hacia atrás, hacia el operador, y por el contacto con el aditamento de corte.

## **HOJA DE CORTE DEL HILO**

Hoja de acero ubicada en el protector que mantiene la línea de corte a la longitud adecuada.

## **ABRAZADERA DE FIJACIÓN DE LA ALTURA**

La empuñadura se puede ajustar rápidamente para acomodar cualquier tamaño de persona, lo cual ayuda a garantizar una altura de trabajo ideal y cómoda.

## **CABEZAL DE LA ORILLADORA (CABEZAL DE AVANCE POR GOLPEO)**

Almacena el hilo de corte y libera dicho hilo cuando el cabezal es golpeado ligeramente sobre terreno firme durante la utilización.

## **BOTÓN POWERLOAD™**

Se utiliza para enrollar automáticamente el hilo de corte en el cabezal de la orilladora.

## **BISAGRA**

Conecta y fija los dos ejes plegables.

## **BOTÓN DE LIBERACIÓN DE LA BATERÍA**

Libera el paquete de batería de la máquina.

## **PESTILLO**

Fija el paquete de batería a la máquina.

## **MECANISMO DE EYECCIÓN**

Ayuda a retirar la batería.

## ENSAMBLAJE

**⚠ ADVERTENCIA:** Si alguna de las piezas está dañada o falta, no utilice este producto hasta que las piezas hayan sido reemplazadas. El uso de este producto con piezas dañadas o si le faltan piezas podría tener como resultado lesiones corporales graves.

**⚠ ADVERTENCIA:** No intente modificar este producto ni crear accesorios no recomendados para utilizarse con este producto. Cualquiera de dichas alteraciones o modificaciones constituye un uso incorrecto y podría provocar una situación peligrosa que cause lesiones corporales posiblemente graves.

**⚠ ADVERTENCIA:** Use siempre guantes gruesos cuando haga cualquier mantenimiento de la hoja. Tenga cuidado con la hoja y protéjase las manos para que no sean lesionadas por la hoja.

**⚠ ADVERTENCIA:** Para prevenir arranques accidentales que podrían causar lesiones corporales graves, retire siempre el paquete de batería de la máquina cuando ensamble piezas, haga ajustes o realice limpieza, o cuando no esté utilizando la máquina.

## DESEMPAQUE

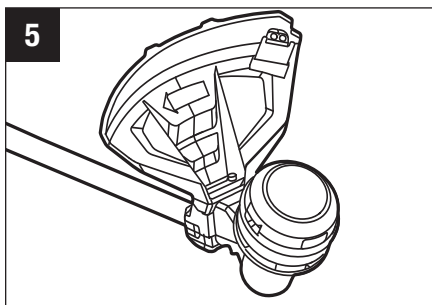
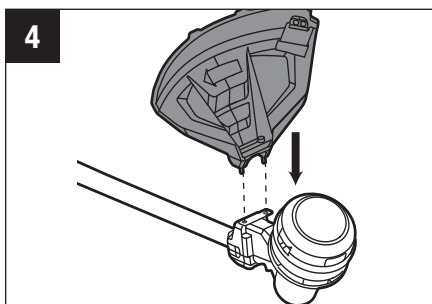
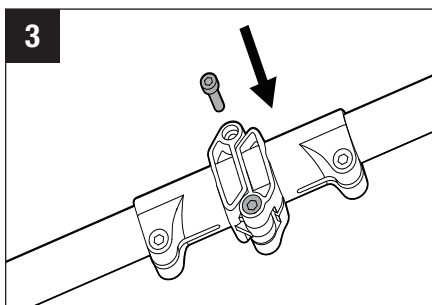
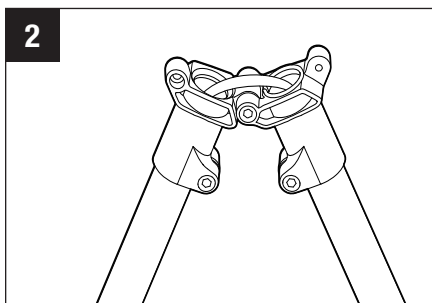
- Este producto requiere ensamblaje.
- Saque cuidadosamente el producto y todos los accesorios de la caja. Asegúrese de que todos los artículos indicados en la lista de empaquetamiento estén incluidos.
- Inspeccione minuciosamente la máquina para asegurarse de que no se hayan producido roturas o daños durante el envío.
- No deseche el material de empaquetamiento hasta que haya inspeccionado minuciosamente y utilizado satisfactoriamente la máquina.
- Si alguna de las piezas está dañada o falta, sírvase devolver el producto al lugar de compra.

## DESPLIEGUE DEL EJE

**⚠ ADVERTENCIA:** Para evitar pellizcarse las manos o los dedos, no agarre el eje en la articulación.

**⚠ ADVERTENCIA:** No intente arrancar la orilladora hasta que el eje haya sido bloqueado.

1. Retire el paquete de batería de la orilladora.
2. Ponga la orilladora en el terreno o el piso y asegúrese de que el cable esté dentro del eje, de manera que no pueda ser pellizcado al cerrar la bisagra. Despliegue cuidadosamente el eje hasta que los dos agujeros ubicados en la bisagra estén alineados con precisión (Fig. 2).
3. Inserte el perno (suministrado) y apriételo con la llave hexagonal suministrada para fijar el eje en la posición correcta (Fig. 3).



## MONTAJE DEL PROTECTOR

**⚠ ADVERTENCIA:** Use siempre guantes cuando monte o reemplace el protector. Tenga cuidado con la hoja de corte del hilo ubicada en el protector y use guantes para protegerse las manos con el fin de que no sean lesionadas por la hoja.

1. Retire el paquete de batería de la orilladora.
2. Acueste la orilladora en el terreno o en el piso con el cabezal de la orilladora orientado hacia arriba.

3. Alinee los dos tornillos, que están preensamblados en el protector, con los dos agujeros para tornillo ubicados en el eje (Fig. 4) y luego apriételos con la llave hexagonal suministrada (Fig. 5).

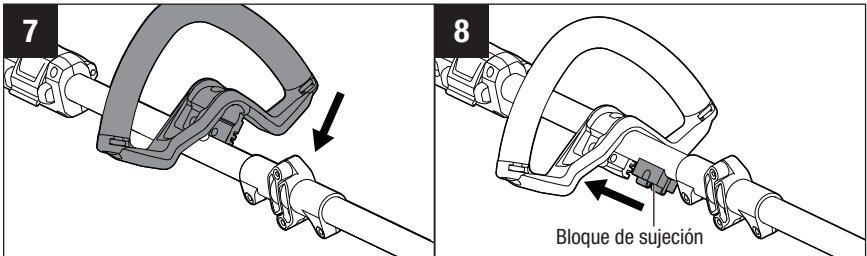
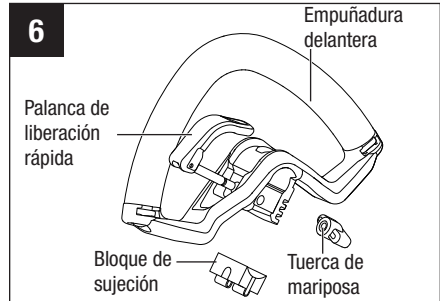
## MONTAJE Y AJUSTE DE LA EMPUÑADURA DELANTERA

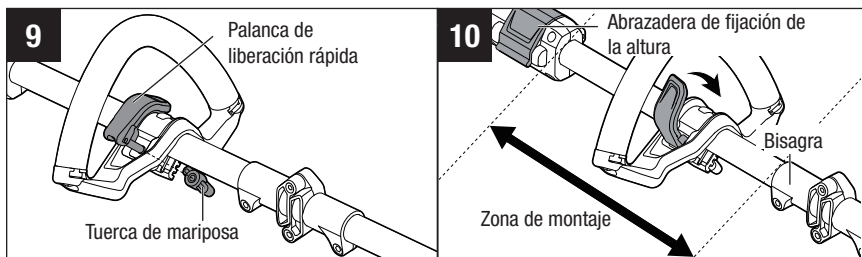
1. Afloje y retire la palanca de liberación rápida y la tuerca de mariposa de la empuñadura delantera (Fig. 6).
2. Empuje la empuñadura delantera sobre el eje dentro de la zona de montaje entre la abrazadera de fijación de la altura y la bisagra (Fig. 7).
3. Inserte el bloque de sujeción en la ranura de la empuñadura (Fig. 8).
4. Monte la palanca de liberación rápida y preapriete la tuerca de mariposa. Asegúrese de que la empuñadura delantera esté posicionada hacia arriba y que apunte hacia la parte superior de la empuñadura trasera (Fig. 9).
5. Jale hacia arriba la palanca de liberación rápida para mover/rotar la empuñadura delantera hasta una posición de utilización cómoda (Fig. 10).

**AVISO:** La empuñadura delantera se deberá posicionar sobre el eje solo dentro de la zona de montaje (Fig. 10).

6. Acople la palanca de liberación rápida para fijar la empuñadura delantera en la posición correcta.

**⚠ ADVERTENCIA:** No utilice nunca la orilladora sin la empuñadura delantera firmemente instalada.

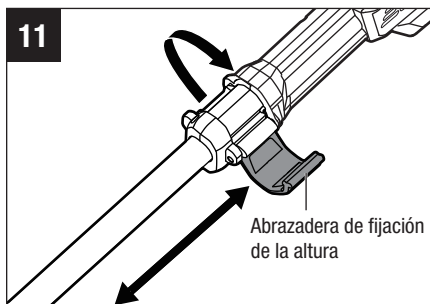




## AJUSTE DE LA ALTURA DE LA ORILLADORA

Si la longitud del eje no es adecuada para la operación, usted puede ajustar dicha longitud con la abrazadera de fijación de la altura.

1. Retire el paquete de batería de la orilladora.
2. Para ajustar la altura de la orilladora (es decir, la longitud del eje), abra la abrazadera de fijación de la altura y luego deslice el eje hacia arriba o hacia abajo hasta la altura deseada y fíjelo en la posición correcta presionando la abrazadera de fijación de la altura (Fig. 11).

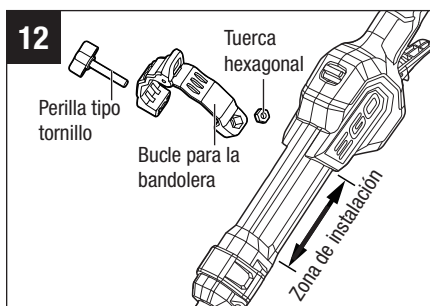


**NOTA:** Puede que sea necesario reposicionar la empuñadura delantera después de cambiar la altura de la orilladora.

## INSTALACIÓN DE LA BANDOLERA (VENDIDA POR SEPARADO, NÚMERO DE MODELO: AP1500)

Para que la utilización sea segura y mejor, jale la bandolera sobre los hombros y transversalmente a la espalda.

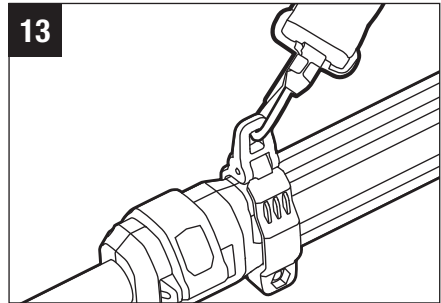
1. Afloje la perilla tipo tornillo y la tuerca hexagonal del bucle para la bandolera.
2. Instale el bucle para la bandolera en el eje dentro de la zona de instalación (Fig. 12).



3. Apriete la perilla tipo tornillo y la tuerca hexagonal.
4. Presione el mosquetón de la bandolera para abrirlo y enganche la bandolera en el bucle para la bandolera (Fig. 13).
5. Ajuste la longitud y el posicionamiento de la bandolera en una posición de utilización cómoda –agarre la orilladora con las dos manos: una mano en la empuñadura trasera y la otra mano en la empuñadura delantera (Fig. 14).

**⚠ ADVERTENCIA:** Cuando se produzca una emergencia, quítese inmediatamente la bandolera del hombro, sin importar cómo esté colocada.

**⚠ ADVERTENCIA:** Usted no deberá utilizar simultáneamente la bandolera sencilla y la bandolera doble.



## UTILIZACIÓN

**⚠ ADVERTENCIA:** No deje que la familiaridad con este producto le haga descuidarse. Recuerde que una fracción de segundo de descuido es suficiente para causar lesiones graves.

**⚠ ADVERTENCIA:** Use siempre protección ocular que esté marcada para cumplir con la norma ANSI Z87.1. El hecho de no hacerlo así podría tener como resultado que se lancen objetos hacia los ojos del operador y se causen otras posibles lesiones graves.

**⚠ ADVERTENCIA:** No utilice aditamentos o accesorios no recomendados por el fabricante de este producto. El uso de aditamentos o accesorios no recomendados puede tener como resultado lesiones corporales graves.

**⚠ ADVERTENCIA:** Para prevenir lesiones corporales graves, retire el paquete de batería de la herramienta antes de hacer servicio de ajustes y reparaciones, realizar limpieza, cambiar aditamentos o retirar material de la máquina.

## APLICACIÓN

Usted puede utilizar este producto para los propósitos que se indican a continuación:

- Orillar pasto y maleza alrededor de porches, cercas y terrazas.
- Cortar pasto al que es difícil llegar con una cortadora de césped normal.

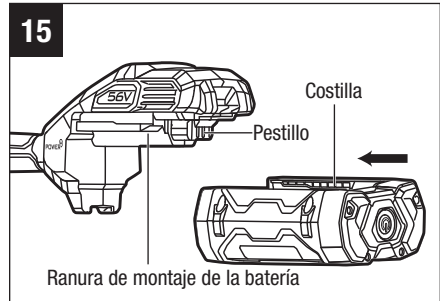
## PARA INSTALAR/DESINSTALAR EL PAQUETE DE BATERÍA

**⚠ ADVERTENCIA:** Retire siempre el paquete de batería del producto cuando ensamble piezas, haga ajustes o realice limpieza, o cuando el producto no se esté utilizando. La retirada del paquete de batería prevendrá los arranques accidentales que podrían causar lesiones corporales graves.

**NOTA:** Cargue completamente el paquete de batería antes del primer uso.

## Para instalar el paquete de batería (Fig. 15)

1. Alinee las costillas del paquete de batería con las ranuras de montaje de la batería ubicadas en la orilladora de hilo.
2. Deslice el paquete de batería hacia dentro hasta que se acople a presión en la posición correcta.

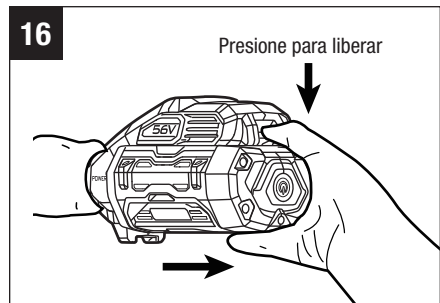


**NOTA:** Asegúrese de que el pestillo ubicado en la orilladora de hilo se acople a presión en la posición correcta y que el paquete de batería esté firmemente sujeto a la máquina antes de comenzar a utilizar la orilladora.

## Para desinstalar el paquete de batería (Fig. 16)

**⚠ ADVERTENCIA:** Esté atento siempre a la ubicación de los pies y los niños o animales domésticos alrededor de usted cuando presione el botón de liberación de la batería. No retire NUNCA el paquete de batería en un lugar elevado. Se podrían producir lesiones graves si el paquete de batería se cae.

1. Sostenga el paquete de batería en la palma de la mano.
2. Presione el botón de liberación de la batería con el dedo pulgar; el paquete de batería se desacoplará del pestillo.
3. Agarre el paquete de batería y retírelo de la orilladora de hilo.



## UTILIZACIÓN DE LA ORILLADORA DE HILO

**⚠ ADVERTENCIA:** Para evitar lesiones corporales graves, use anteojos o gafas de seguridad en todo momento cuando utilice esta unidad. Use una careta o una máscara antipolvo en lugares donde se generen grandes cantidades de polvo.

Despeje el área que se vaya a cortar antes de cada uso. Retire todos los objetos, tales como rocas, vidrio roto, clavos, alambres o hilos, que puedan ser lanzados al aire o engancharse en el aditamento de corte. Despeje el área de niños, curiosos y animales domésticos. Como mínimo, mantenga a todos los niños, personas presentes y animales domésticos al menos a 50 pies (15 m) de distancia; es posible que aún haya riesgo para las personas presentes por causa de objetos lanzados al aire. Se deberá instar a las personas que estén presentes a que usen protección ocular. Si alguien se acerca a usted, detenga de inmediato la máquina.

**⚠ ADVERTENCIA:** Para prevenir lesiones corporales graves, retire el paquete de batería de la máquina antes de hacer servicio de ajustes y reparaciones, realizar limpieza, cambiar aditamentos o retirar material de la unidad.

### **Antes de cada uso, compruebe si hay piezas dañadas/desgastadas**

Compruebe el cabezal de la orilladora, el protector y la empuñadura en bucle, y reemplace toda pieza que esté agrietada, arqueada, doblada o dañada de alguna manera.

La hoja de corte del hilo ubicada en el protector se puede desafilar con el tiempo. Se recomienda que usted la afile periódicamente con una lima o que la reemplace por una hoja nueva.

**⚠ ADVERTENCIA:** Use siempre guantes cuando monte o reemplace el protector o cuando afile o reemplace la hoja de corte del hilo. Fíjese en la ubicación de la hoja de corte del hilo en el protector y protéjase la mano contra las lesiones.

### **Limpie la orilladora después de cada uso**

Consulte la sección "**MANTENIMIENTO**" para obtener instrucciones de limpieza.

**⚠ ADVERTENCIA:** No use nunca agua para limpiar la orilladora. Evite usar solventes cuando limpie piezas de plástico. La mayoría de los plásticos son susceptibles de sufrir daños causados por diversos tipos de solventes comerciales. Use solo un paño limpio y seco para retirar la suciedad, el polvo, el aceite, la grasa, etc.

### **Compruebe si hay bloqueos en el cabezal de la orilladora**

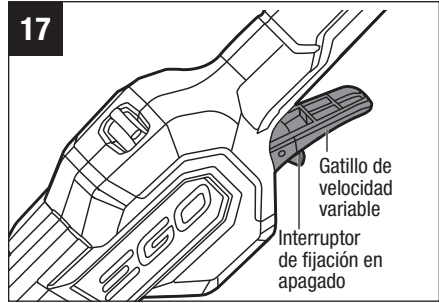
Para prevenir los bloqueos, mantenga limpio el cabezal de la orilladora. Retire el pasto cortado, las hojas, la suciedad y todos los demás residuos acumulados antes y después de cada uso.

Cuando se produzca un bloqueo, pare la orilladora de hilo y retire la batería. Luego, retire todo el pasto que se pueda haber enrollado alrededor del eje del motor o el cabezal de la orilladora.

## ARRANQUE/PARADA DE LA ORILLADORA DE HILO

### Para arrancar la orilladora

1. Mueva hacia delante el interruptor de fijación en apagado y luego presione el gatillo de velocidad variable. La orilladora de hilo arrancará.
2. La velocidad rotacional del cabezal de la orilladora se controla con el gatillo de velocidad variable. Más presión en el gatillo produce una velocidad más alta; menos presión en el gatillo produce una velocidad más baja. Ajuste la velocidad para adaptarse a la tarea que se esté realizando (Fig. 17).



**NOTA:** El motor arranca solo cuando el interruptor de fijación en apagado se mueve hacia delante y el gatillo de velocidad variable se presiona al mismo tiempo.

### Para detener la orilladora de hilo

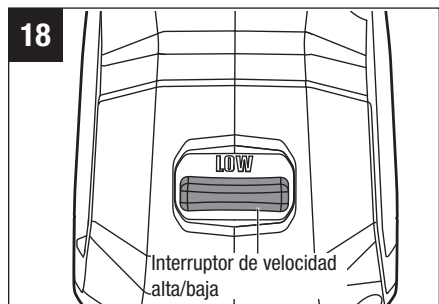
Mueva la orilladora de hilo alejándola del área de corte y suelte el gatillo de velocidad variable para detener la máquina.

**⚠ ADVERTENCIA:** Retire siempre el paquete de batería de la orilladora de hilo durante las pausas de descanso del trabajo y después de acabar el trabajo.

### Función de ajuste de la velocidad (Fig. 18)

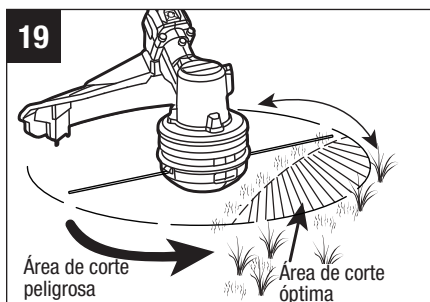
La orilladora de hilo tiene dos ajustes de velocidad.

Mueva el interruptor de velocidad alta/baja hacia delante o hacia detrás para seleccionar la velocidad baja o alta.



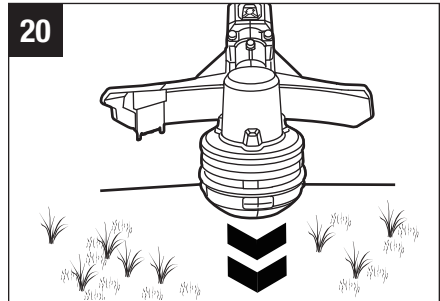
## CONSEJOS PARA OBTENER LOS MEJORES RESULTADOS DE ORILLADO (Fig. 19)

- El ángulo correcto para el aditamento de corte es paralelo al terreno.
- No fuerce la orilladora. Deje que el extremo de la punta del hilo haga el corte (especialmente a lo largo de paredes). Si se corta con más parte del hilo que su punta, se reducirá la eficacia de corte y es posible que se sobrecargue el motor.
- La altura de corte se determina por la distancia del hilo de corte a la superficie del césped.
- El pasto de más de 8 pulgadas (200 mm) se deberá cortar trabajando progresivamente desde la parte de arriba hacia la parte de abajo en pequeños incrementos para evitar un desgaste prematuro del hilo o arrastre del motor.
- Mueva lentamente la orilladora hacia dentro y hacia fuera del área que se esté cortando, manteniendo la posición del cabezal de corte a la altura de corte deseada. Este movimiento puede ser hacia delante y hacia detrás o de un lado a otro. El corte de longitudes más pequeñas produce los mejores resultados.
- Orille solo cuando el pasto y la maleza estén secos.
- Las cercas de alambre y de estacas puntiagudas pueden causar desgaste adicional o rotura del hilo. Es posible que las paredes de piedra y ladrillo, las orillas de acera y la madera desgasten rápidamente los hilos.
- Evite los árboles y los setos. La corteza de árbol, las molduras de madera, los paneles de revestimiento y los postes de cerca pueden ser dañados fácilmente por los hilos.



## AJUSTE DE LA LONGITUD DEL HILO DE CORTE

El cabezal de la orilladora permite al operador liberar más hilo de corte sin detener el motor. A medida que el hilo se deshilacha o se desgasta, se puede liberar hilo adicional golpeando ligeramente el cabezal de la orilladora contra el terreno mientras se utiliza la orilladora (Fig. 20).



**⚠ ADVERTENCIA:** No retire ni altere el ensamblaje de la hoja de corte del hilo. Una longitud de hilo excesiva hará que el motor se sobrecaliente y es posible que cause lesiones corporales graves.

Para obtener los mejores resultados, golpee suavemente el cabezal de la orilladora contra terreno pelado o tierra dura. Si la liberación del hilo se intenta en pasto alto, es posible que el motor se sobrecaliente. Mantenga siempre el hilo orillador completamente extendido. La liberación del hilo se vuelve más difícil a medida que el hilo de corte se vuelve más corto.

## REEMPLAZO DEL HILO

**⚠ ADVERTENCIA:** No utilice nunca hilo, alambre o cuerda, etc., que estén reforzados con metal. Estos elementos pueden romperse y convertirse en proyectiles peligrosos.

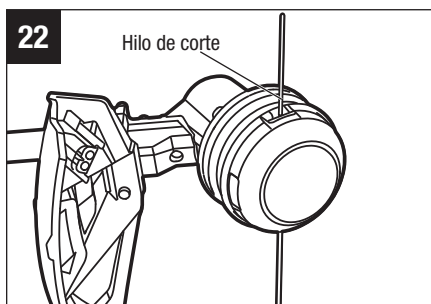
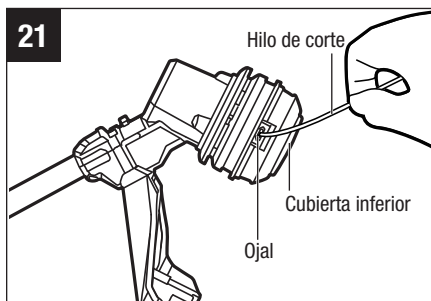
**⚠ ADVERTENCIA:** Utilice siempre el hilo de corte de nylon recomendado con un diámetro que no exceda 0,095 pulgadas (2,4 mm). Es posible que el uso de un hilo que no sea el especificado haga que la máquina se sobrecaliente o resulte dañada.

La orilladora de hilo está equipada con un avanzado sistema POWERLOAD™. El hilo de corte se puede enrollar en la bobina simplemente presionando un solo botón. El proceso de carga de una bobina completa se puede completar generalmente en 12 segundos. **Evite la utilización repetida del sistema de enrollado en sucesión rápida para reducir la posibilidad de daños al motor.**

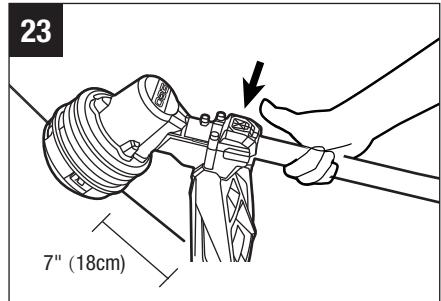
1. Retire el paquete de batería de la orilladora.
2. Corte un pedazo de hilo de corte de 14 pies (4 m) de longitud.
3. Inserte el hilo en el ojal (Fig. 21) y empuje el hilo hasta que su extremo salga por el ojal opuesto.

**NOTA:** No es necesario alinear los ojales para insertar el hilo de corte. Si el hilo no se puede insertar en el ojal, monte el paquete de batería en la orilladora y luego presione brevemente el botón POWERLOAD para reajustar el mecanismo de enrollado.

4. Retire la batería si se ha montado en la orilladora en el paso 3.
5. Jale el hilo desde el otro lado hasta que aparezcan longitudes iguales del mismo a ambos lados del cabezal de la orilladora (Fig. 22).
6. Instale el paquete de batería en la orilladora de hilo.



7. Presione y mantenga presionado el botón POWERLOAD para arrancar el motor de enrollado del hilo. El hilo se enrollará continuamente en el cabezal de la orilladora (Fig. 23).
8. Observe detenidamente la longitud de hilo restante. Prepárese para soltar el botón en cuanto queden aproximadamente 8,5 pulgadas (22 cm) de hilo a cada lado. Presione brevemente el botón de carga del hilo para ajustar la longitud hasta que se vean 7 pulgadas (18 cm) de hilo a cada lado.

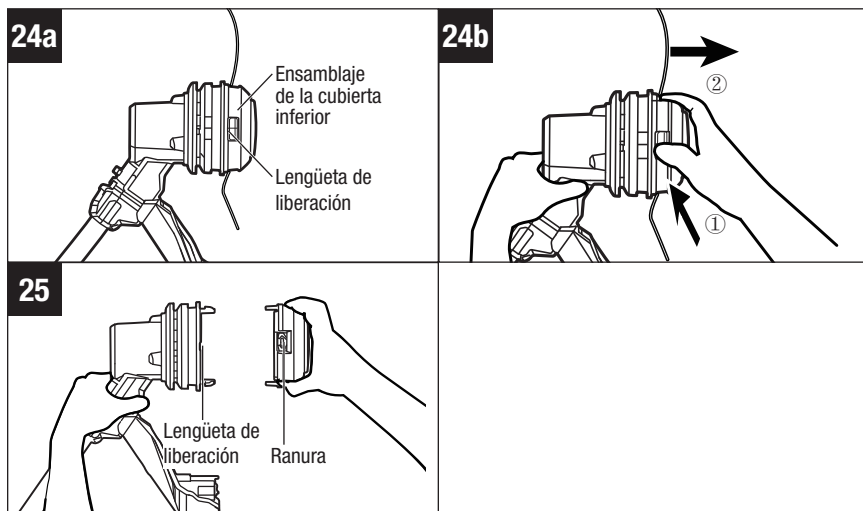


**NOTA:** En el caso de que el hilo sea jalado hacia el interior del cabezal de la orilladora por accidente, abra el cabezal y jale el hilo de corte hacia fuera de la bobina. Siga la sección “**RECARGUE EL HILO DE CORTE**” de este manual para recargar el hilo.

## RECARGUE EL HILO DE CORTE

**NOTA:** Cuando el hilo de corte se rompa y se separe del ojal o cuando el hilo de corte no se libere al golpear suavemente el cabezal de la orilladora, será necesario retirar el hilo de corte restante del cabezal de la orilladora y seguir los pasos que se indican a continuación para recargar el hilo.

1. Retire el paquete de batería de la orilladora.
2. Presione las lengüetas de liberación ubicadas en el cabezal de la orilladora y retire el ensamblaje de la cubierta inferior del cabezal de la orilladora jalándolo directamente hacia fuera (Fig. 24a y 24b).
3. Retire el hilo de corte del cabezal de la orilladora.
4. Mientras sujeta la orilladora con una mano, utilice la otra mano para agarrar el ensamblaje de la cubierta inferior y alinear las ranuras ubicadas en el ensamblaje de la cubierta inferior con las lengüetas de liberación. Presione el ensamblaje de la cubierta inferior hasta que se acople a presión en la posición correcta, en cuyo momento oírá un sonido de clic inconfundible (Fig. 25).
5. Siga las instrucciones de la sección “**REEMPLAZO DEL HILO**” para recargar el hilo de corte.



## MANTENIMIENTO

**⚠ ADVERTENCIA:** Cuando haga servicio de ajustes y reparaciones, utilice únicamente piezas de repuesto idénticas. Es posible que el uso de cualquier otra pieza cree un peligro o cause daños al producto. Para garantizar la seguridad y la confiabilidad, todas las reparaciones deberán ser realizadas por un técnico de servicio calificado.

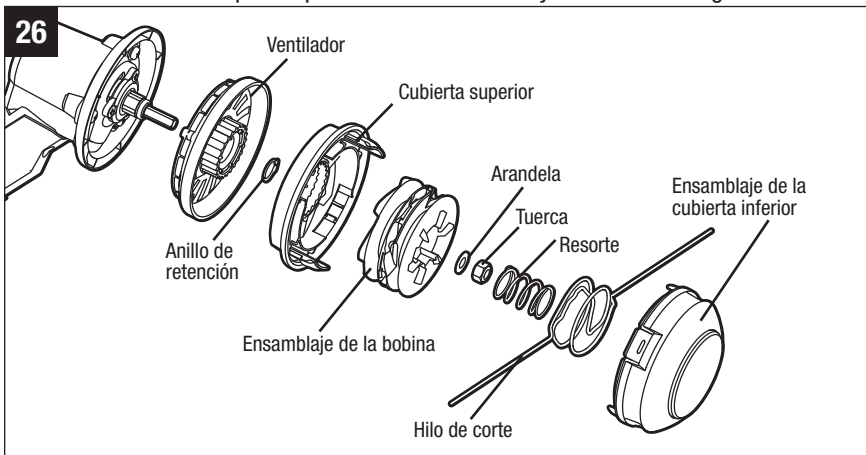
**⚠ ADVERTENCIA:** Las máquinas a batería no tienen que enchufarse en un tomacorriente; por lo tanto, siempre están en condiciones de funcionamiento. Para prevenir lesiones corporales graves, tome precauciones adicionales y tenga cuidado adicional cuando realice mantenimiento o servicio de ajustes y reparaciones, o cuando cambie el aditamento de corte u otros aditamentos.

**⚠ ADVERTENCIA:** Para prevenir lesiones corporales graves, retire el paquete de batería de la máquina antes de hacer servicio de ajustes y reparaciones, realizar limpieza o retirar material de la unidad.

Todos el servicio de ajustes y reparaciones de la orilladora, que no sean los elementos incluidos en estas instrucciones de mantenimiento, deberá ser realizado por personal competente de servicio de orilladoras de hilo.

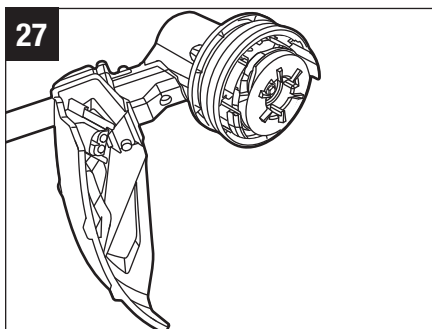
### REEMPLAZO DEL CABEZAL DE LA ORILLADORA

**⚠ PELIGRO:** Si el cabezal se afloja después de fijarlo en la posición correcta, reemplácelo de inmediato. No utilice nunca una orilladora con un aditamento de corte flojo. Reemplace de inmediato un cabezal de corte agrietado, dañado o desgastado, incluso si los daños están limitados a grietas superficiales. Es posible que los aditamentos que estén en esas condiciones se rompan en pedazos a alta velocidad y causen lesiones graves.

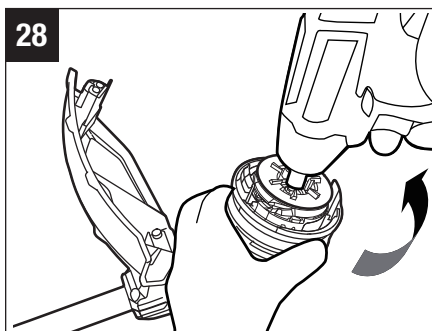


## Retire el cabezal de la orilladora

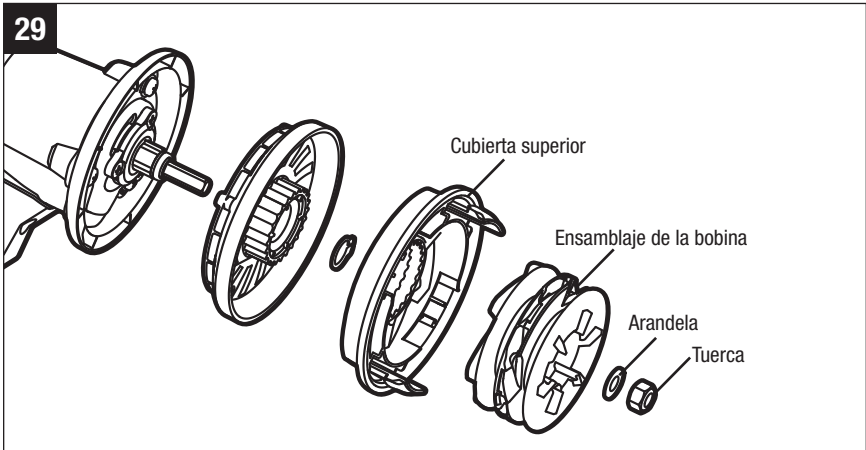
1. Retire el paquete de batería de la orilladora.
2. Presione las lengüetas de liberación ubicadas en el cabezal de la orilladora y retire el ensamblaje de la cubierta inferior del cabezal de la orilladora jalándolo directamente hacia fuera (vea la Fig. 24a y 24b).
3. Retire el hilo de corte del cabezal de la orilladora (Fig. 26).



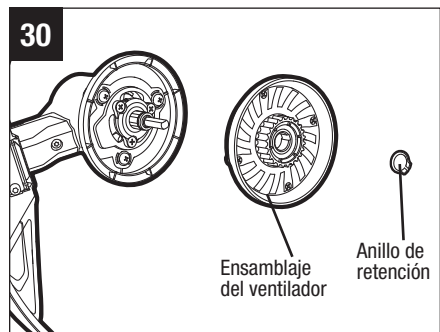
4. Retire el resorte del ensamblaje de la bobina, en caso de que sea necesario. Guárdelo para realizar el reensamblaje (Fig. 26).



5. Use guantes. Use una mano para agarrar el ensamblaje de la bobina con el fin de estabilizarlo y use la otra mano para agarrar una llave de impacto con una bocallave de 14 mm (no incluida) para aflojar la tuerca en sentido contrario al de las agujas del reloj (Fig. 28).
6. Retire la tuerca, la arandela, el ensamblaje de la bobina y la cubierta superior del eje del motor (Fig. 29).

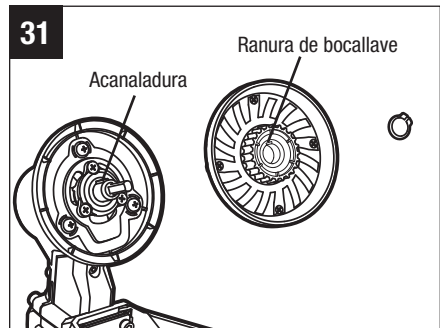


7. Utilice unos alicates para anillos de retención circlips (not incluidos) para retirar el anillo de retención. Retire el ensamblaje del ventilador (Fig. 30).
8. Reemplace el cabezal de la orilladora por uno nuevo y móntelo de acuerdo con los siguientes pasos.



### Instale el cabezal de la orilladora nuevo

1. Alinee la ranura de bocallave ubicada en el ensamblaje del ventilador con la acanaladura ubicada en el eje del motor y monte el ensamblaje del ventilador en la posición correcta (Fig. 31).
2. Monte el anillo de retención, la cubierta superior, el ensamblaje de la bobina y la arandela en ese orden. Utilice una llave de impacto en la tuerca para apretarla.



3. Siga los pasos 4 y 5 de la sección “**RECARGUE EL HILO DE CORTE**” de este manual para montar el ensamblaje de la cubierta inferior.
4. Siga las instrucciones de la sección “**REEMPLAZO DEL HILO**” de este manual para recargar el hilo de corte.
5. Arranque la máquina para comprobar si la orilladora de hilo funcionará normalmente. Si no lo hace, reensámblela tal y como se ha descrito anteriormente.

## **LIMPIE LA UNIDAD**

- Retire la batería.
- Retire todo el pasto que se pueda haber enrollado alrededor del eje del motor o del cabezal de la orilladora.
- Utilice un cepillo pequeño y/o una aspiradora pequeña con una boquilla pequeña para limpiar las aberturas de ventilación ubicadas en la carcasa trasera.
- Mantenga las aberturas de ventilación libres de obstrucciones.
- Limpie la unidad utilizando un paño húmedo con un detergente suave.
- No utilice detergentes fuertes en la carcasa de plástico ni en la empuñadura. Tanto la carcasa como la empuñadura pueden resultar dañadas por ciertos aceites aromáticos, tales como los de pino y limón, y por solventes tales como el queroseno.
- La humedad también puede causar un peligro de descargas eléctricas. Si hay humedad, elimínela con un paño suave y seco.

## **AFILE LA HOJA DE CORTE DEL HILO**

**⚠ ADVERTENCIA:** Protéjase siempre las manos usando guantes gruesos cuando realice cualquier mantenimiento en la hoja de corte del hilo.

1. Retire el paquete de batería de la orilladora.
2. Retire del protector la hoja de corte del hilo.
3. Fije la hoja en una prensa de tornillo.
4. Use protección ocular y guantes adecuados y tenga cuidado de no cortarse.

5. Lime cuidadosamente los bordes de corte de la hoja con una lima de dientes finos o una piedra de afilar, teniendo cuidado de mantener el ángulo original del borde de corte.
6. Reinstale la hoja en el protector y fíjela en la posición correcta con los dos tornillos.

## **TRANSPORTE Y ALMACENAMIENTO**

- Retire el paquete de batería de la orilladora.
- Limpie minuciosamente la máquina antes de almacenarla.
- Almacene la unidad en un área seca y bien ventilada, cerrada con llave o en alto, fuera del alcance de los niños. No almacene la unidad sobre ni adyacente a fertilizantes, gasolina u otras sustancias químicas.
- Mantenga la unidad alejada de los agentes corrosivos, tales como productos químicos de jardín y sales anticongelantes.

## RESOLUCIÓN DE PROBLEMAS

PROBLEMA	CAUSA	SOLUCIÓN
La orilladora de hilo no arranca.	<ul style="list-style-type: none"> <li>■ El paquete de batería no está instalado en la orilladora.</li> <li>■ No hay contacto eléctrico entre la orilladora y la batería.</li> <li>■ La carga del paquete de batería está agotada.</li> <li>■ No se está moviendo hacia delante el gatillo de fijación en apagado antes de presionar el gatillo de velocidad variable.</li> <li>■ El eje del motor o el cabezal de la orilladora está atorado con pasto.</li> </ul>	<ul style="list-style-type: none"> <li>■ Instale el paquete de batería en la orilladora.</li> <li>■ Retire la batería, compruebe los contactos y reinstale el paquete de batería.</li> <li>■ Cargue el paquete de batería.</li> <li>■ Mueva hacia delante el interruptor de fijación en apagado y luego presione el gatillo de velocidad variable.</li> <li>■ Retire el pasto del eje del motor y el cabezal de la orilladora.</li> </ul>
La orilladora de hilo se detiene mientras está cortando.	<ul style="list-style-type: none"> <li>■ El protector no está montado en la orilladora, lo cual hace que el hilo de corte sea excesivamente largo y cause sobrecarga del motor.</li> <li>■ Se está utilizando un hilo de corte grueso.</li> <li>■ El paquete de batería o la orilladora de hilo están demasiado calientes.</li> <li>■ El paquete de batería está desconectado de la máquina</li> <li>■ La carga del paquete de batería está agotada.</li> </ul>	<ul style="list-style-type: none"> <li>■ Retire el paquete de batería y monte el protector en la orilladora.</li> <li>■ Utilice el hilo de corte de nylon recomendado con un diámetro de 0,095 pulgadas (2,4 mm).</li> <li>■ Enfríe la batería o la orilladora de hilo.</li> <li>■ Reinstale el paquete de batería.</li> <li>■ Cargue el paquete de batería.</li> </ul>

PROBLEMA	CAUSA	SOLUCIÓN
<p>El cabezal de la orilladora no hace avanzar el hilo.</p>	<ul style="list-style-type: none"> <li>■ El eje del motor o el cabezal de la orilladora está atorado con pasto.</li> <li>■ No hay suficiente hilo en la bobina o el hilo se rompe y se separa del ojal.</li> <li>■ El hilo está enredado.</li> <li>■ El hilo es demasiado corto.</li> <li>■ Se está utilizando un hilo de corte grueso.</li> <li>■ Malfuncionamiento del cabezal de la orilladora.</li> </ul>	<ul style="list-style-type: none"> <li>■ Detenga la orilladora, retire la batería y limpie el eje del motor y el cabezal de la orilladora.</li> <li>■ Retire la batería y reemplace el hilo de corte siguiendo la sección <b>“REEMPLAZO DEL HILO”</b> de este manual.</li> <li>■ Retire la batería; retire el hilo del cabezal de la orilladora y rebóbinelo siguiendo la sección <b>“RECARGUE EL HILO DE CORTE”</b> de este manual.</li> <li>■ Retire la batería y jale manualmente los hilos mientras presiona hacia abajo y suelta alternadamente el cabezal de la orilladora.</li> <li>■ Utilice el hilo de corte de nylon recomendado con un diámetro de 0,095 pulgadas (2,4 mm).</li> <li>■ Llame a Servicio al Cliente de EGO para obtener ayuda.</li> </ul>
<p>Hay pasto enrollado alrededor del cabezal de la orilladora y de la carcasa del motor.</p>	<ul style="list-style-type: none"> <li>■ Se está cortando pasto alto a nivel del terreno.</li> </ul>	<ul style="list-style-type: none"> <li>■ Corte el pasto alto de arriba abajo, retirando no más de 8 pulgadas en cada pasada para evitar que se enrolle.</li> </ul>
<p>La hoja no está cortando el hilo.</p>	<ul style="list-style-type: none"> <li>■ La hoja de corte del hilo ubicada en el borde del protector se ha desafilado.</li> </ul>	<ul style="list-style-type: none"> <li>■ Siga las instrucciones para afilar la hoja de corte del hilo con una lima o reemplace dicha hoja por una hoja nueva.</li> </ul>
<p>Grietas en el cabezal de la orilladora</p>	<ul style="list-style-type: none"> <li>■ El cabezal de la orilladora está desgastado.</li> </ul>	<ul style="list-style-type: none"> <li>■ Reemplace de inmediato el cabezal de la orilladora; siga la sección <b>“REEMPLAZO DEL CABEZAL DE LA ORILLADORA”</b> de este manual.</li> </ul>

PROBLEMA	CAUSA	SOLUCIÓN
<p>El hilo de corte no se puede enrollar correctamente en el cabezal de la orilladora.</p>	<ul style="list-style-type: none"> <li>■ Se está utilizando un hilo de corte incorrecto.</li> <li>■ Se han acumulado residuos de pasto o suciedad en el cabezal de la orilladora y han bloqueado el movimiento de la bobina del hilo.</li> <li>■ El motor está sobrecalentado debido a una utilización repetida del sistema de enrollado del hilo.</li> <li>■ Capacidad baja de la batería</li> <li>■ El hilo no está enrollado en el ensamblaje de la bobina.</li> <li>■ Malfuncionamiento del cabezal de la orilladora.</li> </ul>	<ul style="list-style-type: none"> <li>■ Sugerimos que utilice el hilo de corte de nylon original EGO especificado en el capítulo “<b>ACCESORIOS RECOMENDADOS</b>” de este manual. Si el problema persiste incluso cuando se utilice hilo de nylon EGO, sírvase llamar a servicio al cliente de EGO.</li> <li>■ Retire la batería, abra el cabezal de la orilladora y límpiela minuciosamente.</li> <li>■ Deje que la orilladora de hilo funcione sin carga de trabajo durante unos minutos para enfriar el motor y luego intente recargar el hilo.</li> <li>■ Cargue la batería.</li> <li>■ Jale hacia fuera el hilo y reinsertelo.</li> <li>■ Llame a Servicio al Cliente de EGO para obtener ayuda.</li> </ul>
<p>El hilo de corte no se puede pasar a través del cabezal de la orilladora al insertarlo.</p>	<ul style="list-style-type: none"> <li>■ El hilo de corte está dividido o doblado en el extremo.</li> </ul>	<ul style="list-style-type: none"> <li>■ Corte el extremo desgastado del hilo y reinserte el hilo.</li> </ul>



# GARANTÍA LIMITADA DE EGO

## TÉRMINOS Y DURACIÓN DE LA PÓLIZA DE GARANTÍA

Chervon North America, Inc. ("Chervon North America"), proporciona la siguiente Garantía Limitada para los productos EGO al comprador original de productos EGO.

El período de garantía detallado de cada producto EGO se puede encontrar en línea en <http://egopowerplus.com/warranty-policy>.

**Sírvase contactar a Servicio al Cliente de EGO llamando gratis al 1-855-EGO-5656** en cualquier momento en que tenga preguntas o reclamos de garantía, o si desea obtener una copia impresa de la garantía.

## GARANTÍA LIMITADA DE SERVICIO

Los productos EGO están garantizados contra defectos de material o de fabricación a partir de la fecha de compra minorista original durante el período de garantía aplicable. Para cualquier reclamo de garantía presentado de manera adecuada y oportuna, si Chervon North America determina que un producto presenta algún defecto durante el período de garantía, dicho producto recibirá una reparación o un remplazo gratuitos, según lo determine Chervon North America.

## CÓMO OBTENER SERVICIO

Para obtener servicio de garantía, dentro del período de garantía aplicable, sírvase contactar a servicio al cliente de EGO llamando gratis al **1-855-EGO-5656**. Cuando solicite servicio de garantía, deberá presentar el recibo de venta fechado original. Se seleccionará un centro de servicio autorizado para evaluar y reparar el producto si el mismo presenta algún defecto de acuerdo con los términos establecidos en la garantía. Cuando lleve su producto al centro de servicio autorizado, es posible que se requiera un pequeño depósito cuando deje allí su herramienta. Este depósito es reembolsable cuando se considere que el servicio de reparaciones esté cubierto bajo garantía. El comprador es responsable del transporte de cualquier equipo o aditamento de energía para exteriores a sus expensas.

## LIMITACIONES Y EXCLUSIONES ADICIONALES

Esta garantía limitada se aplica solo al comprador original que realice la compra a un minorista EGO autorizado y no es transferible. Los productos EGO no serán considerados defectuosos, y esta garantía no se aplicará, en los casos en que el defecto por el que se presente el reclamo sea atribuible a cualquier causa que no sean los defectos definidos anteriormente en este documento. Esta garantía quedará anulada si el producto se ha utilizado para fines de alquiler. Esta garantía no se aplicará a daños causados por accidente, abuso, uso incorrecto, alteración, modificación, reparación no autorizada, contacto con líquidos, incendio, terremoto u otra causa externa; utilización del producto sin seguir las instrucciones, especificaciones o pautas de EGO; o no hacer servicio de ajustes y reparaciones o no mantener adecuadamente el producto. Esta garantía tampoco se aplica a los daños cosméticos, incluyendo, pero sin limitarse a ello, rasguñaduras o abolladuras; defectos causados por el desgaste por el uso normal o defectos que de alguna otra manera se deban al envejecimiento normal del producto.

ESTA GARANTÍA EXPRESA SE DA EN LUGAR DE TODAS LAS DEMÁS GARANTÍAS, EXPRESAS O IMPLÍCITAS, INCLUYENDO, PERO SIN LIMITARSE A ELLO, TODAS LAS GARANTÍAS DE COMERCIABILIDAD O IDONEIDAD PARA UN PROPÓSITO O USO ESPECÍFICO, LAS CUALES QUEDAN EXCLUIDAS. Todas las garantías implícitas, incluyendo las garantías de comerciabilidad o idoneidad para un propósito específico, que no se puedan excluir bajo la ley estatal, están limitadas al período de garantía aplicable definido al comienzo de este artículo. El remedio único y exclusivo en conexión con la compra, instalación, uso y/o rendimiento de los productos EGO es la reparación o el reemplazo del producto tal y como lo determine Chervon North America. La responsabilidad máxima de North America no excederá en ningún caso el precio de compra pagado por el producto. CHERVON NORTH AMERICA NO SERÁ RESPONSABLE ANTE EL USUARIO NI ANTE NADIE MÁS POR DAÑOS EMERGENTES, INCIDENTALES, ESPECIALES, EJEMPLARES, INDIRECTOS O PUNITIVOS QUE SURJAN DEL USO DE LOS PRODUCTOS, INCLUYENDO, PERO SIN LIMITARSE A ELLO, LESIONES CORPORALES, MUERTE, DAÑOS MATERIALES, GANANCIAS PERDIDAS U OTROS PERJUICIOS ECONÓMICOS. Esta garantía le confiere a usted derechos legales específicos y es posible que usted tenga también otros derechos que varían de un estado a otro. Algunos estados no permiten limitaciones en cuanto a la duración de una garantía implícita, la exclusión o limitación de los daños incidentales o emergentes, o las limitaciones al tiempo para emprender ciertas acciones legales, por lo que las limitaciones contenidas en el presente documento no se aplican a los consumidores individuales de esos estados.



Esta garantía está sujeta a la ley de Michigan y se interpretará de acuerdo con dicha ley, con independencia de los principios sobre conflictos de leyes. No se emprenderá ninguna acción legal contra Chervon North America a menos que se presente dentro del plazo de un (1) año después de que se tenga conocimiento de la base de dicha acción legal o de la cual se debiera haber tenido conocimiento con el ejercicio de una diligencia razonable. Se considerará que se ha renunciado a cualquier acción legal que no se presente oportunamente.

Para obtener servicio al cliente, contáctenos llamando gratis al **1-855-EGO-5656** o en **EGOPOWERPLUS.COM**.

EGO Customer Service,  
769 Seward Ave. NW, Suite 102,  
Grand Rapids, Michigan 49504.

