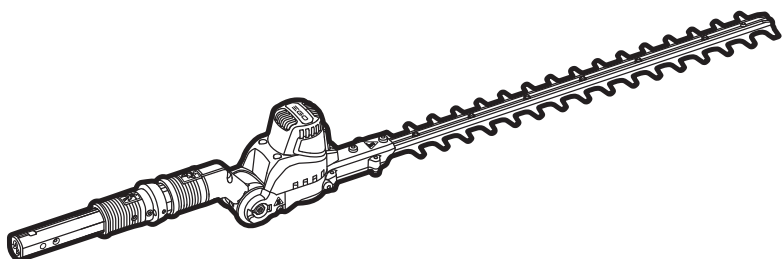


EGO™



EXCLUSIVELY FOR USE WITH
EGO TELESCOPIC POWER POLE
PPX1000/PPX1000-FC

Français p. 31

Español p. 63

OPERATOR'S MANUAL HEDGE TRIMMER ATTACHMENT

MODEL NUMBER PTX5100/PTX5100-FC

⚠ WARNING: To reduce the risk of injury, the user must read and understand the Operator's Manual before using this product. Save these instructions for future reference.

TABLE OF CONTENTS

Safety Symbols	4
Safety Instructions.....	5-9
Introduction	10
Specifications	10
Packing List.....	10
Description	11-12
Assembly.....	13-16
Operation.....	17-20
Maintenance	21-27
Troubleshooting.....	28
Warranty	29-30

READ ALL INSTRUCTIONS!



READ AND UNDERSTAND
OPERATOR'S MANUAL

⚠ WARNING: Some dust created by power sanding, sawing, grinding, drilling and other construction activities contains chemicals known to the state of California to cause cancer, birth defects or other reproductive harm. Some examples of these chemicals are:

- Lead from lead-based paints.
- Crystalline silica from bricks and cement and other masonry products, and
- Arsenic and chromium from chemically-treated lumber.

Your risk from these exposures varies, depending on how often you do this type of work. To reduce your exposure to these chemicals: work in a well ventilated area, and work with approved safety equipment, such as those dust masks that are specially designed to filter out microscopic particles.

SAFETY SYMBOLS

The purpose of safety symbols is to attract your attention to possible dangers. The safety symbols and the explanations with them deserve your careful attention and understanding. The symbol warnings do not, by themselves, eliminate any danger. The instructions and warnings they give are no substitutes for proper accident prevention measures.

⚠ WARNING: Be sure to read and understand all safety instructions in this Operator's Manual, including all safety alert symbols such as **"DANGER," "WARNING,"** and **"CAUTION"** before using this tool. Failure to following all instructions listed below may result in electric shock, fire, and/or serious personal injury.

SYMBOL MEANING

⚠ SAFETY ALERT SYMBOL: Indicates **DANGER, WARNING, OR CAUTION.** May be used in conjunction with other symbols or pictographs.



⚠ WARNING! The operation of any power tools can result in foreign objects being thrown into your eyes, which can result in severe eye damage. Before beginning power tool operation, always wear safety goggles or safety glasses with side shield and a full face shield when needed. We recommend a Wide Vision Safety Mask for use over eyeglasses or standard safety glasses with side shields. Always use eye protection which is marked to comply with ANSI Z87.1.

SAFETY INSTRUCTIONS

This page depicts and describes safety symbols that may appear on this product. Read, understand, and follow all instructions on the machine before attempting to assemble and operate it.

	<p>Safety Alert</p>	<p>Indicates a potential personal injury hazard.</p>
	<p>Read And Understand Operator's Manual</p>	<p>To reduce the risk of injury, user must read and understand the operator's manual before using this product.</p>
	<p>Danger-Keep Hands Away from Blades</p>	<p>Contact with blade will result in serious personal injury.</p>
	<p>Wear Eye Protection</p>	<p>Always wear safety goggles or safety glasses with side shields and a full face shield when operating this product.</p>
	<p>Wear Eye and Head Protection</p>	<p>Always wear eye and head protection when operating this product.</p>
	<p>Keep sufficient distance away from electrical power lines</p>	<p>To prevent electrocution, do not operate within 50 ft. (15m) of overhead electrical lines. Contact with or use near power lines may cause serious injury or electric shock resulting in death.</p>
	<p>Li-ion RBRC seal</p>	<p>Designates Li-ion battery recycling program</p>

IPX5	Ingress Protection Degree	Protection from splashing water
V	Volt	Voltage
mm	millimeter	Length or size
in.	Inch	Length or size
kg	Kilogram	Weight
lb.	Pound	Weight

⚠ HEDGE TRIMMER SAFETY WARNINGS

- **Keep all parts of the body away from the blade. Do not remove cut material or hold material to be cut when blades are moving.** Blades continue to move after the switch is turned off. A moment of inattention while operating the hedge trimmer may result in serious personal injury.
- **Carry the hedge trimmer by the handle with the blade stopped and taking care not to operate any power switch.** Proper carrying of the hedge trimmer will decrease the risk of inadvertent starting and resultant personal injury from the blades.
- **When transporting or storing the hedge trimmer, always fit the blade cover.** Proper handling of the hedge trimmer will decrease the risk of personal injury from the blades.
- **When clearing jammed material or servicing the unit, make sure all power switches are off and the battery pack is removed or disconnected.** Unexpected actuation of the hedge trimmer while clearing jammed material or servicing may result in serious personal injury.
- **Hold the hedge trimmer by insulated gripping surfaces only, because the blade may contact hidden wiring.** Blades contacting a "live" wire may make exposed metal parts of the hedge trimmer "live" and could give the operator an electric shock.
- **Keep all power cords and cables away from cutting area.** Power cords or cables may be hidden in hedges or bushes and can be accidentally cut by the blade.
- **Do not use the hedge trimmer in bad weather conditions, especially when there is a risk of lightning.** This decreases the risk of being struck by lightning.

⚠ ADDITIONAL SAFETY INSTRUCTIONS FOR EXTENDED HEDGE TRIMMER

- **To reduce the risk of electrocution, never use the extended-reach hedge trimmer near any electrical power lines.** Contact with or use near power lines may cause serious injury or electric shock resulting in death.
- **Always use two hands when operating the extended-reach hedge trimmer.** Hold the extended-reach hedge trimmer with both hands to avoid loss of control.
- **Always use head protection when operating the extended-reach hedge trimmer overhead.** Falling debris can result in serious personal injury.

⚠️ ADDITIONAL WARNINGS

- **Do not charge the battery pack in rain, or in wet locations.**
- **The battery pack must be removed from the appliance before it is scrapped.**
- **The battery shall be disposed of safely.**
- **Do not dispose of the battery in a fire.** The cells may explode. Check with local codes for possible special disposal instructions.
- **Do not open or mutilate the battery.** Released electrolyte is corrosive and may cause damage to the eyes or skin. It may be toxic if swallowed.

⚠️ CAUTION! The electrolyte is a dilute sulfuric acid that is harmful to the skin and eyes. It is electrically conductive and corrosive.

- **Exercise care in handling batteries in order not to short the battery with conducting materials such as rings, bracelets, and keys.** The battery or conductor may overheat and cause burns.
- **Battery tools do not have to be plugged into an electrical outlet; therefore, they are always in operating condition.** Be aware of possible hazards even when the tool is not operating. Take care when performing maintenance or service.
- **Remove the battery pack before servicing, cleaning or removing material from the tool.**
- **Replacement parts** - When servicing, use only identical EGO replacement parts. Use of any other accessory or attachment may increase the risk of injury.
- Use only with the battery packs and chargers listed below:

BATTERY PACK	CHARGER
BA1400, BA1400-FC, BA2800, BA2800-FC, BA4200, BA4200-FC, BA1400T, BA1400T-FC, BA2240T, BA2240T-FC, BA2800T, BA2800T-FC, BA4200T, BA4200T-FC, BA5600T, BA5600T-FC, BAX1501, BAX1501-FC	CH2100, CH2100-FC, CH5500, CH5500-FC, CH2800D, CH2800D-FC, CH7000, CH7000-FC, CHX5500, CHX5500-FC

⚠ WARNING: Do not use the shoulder strap when the tool equipped with the battery pack BAX1501/BAX1501-FC. Failure to do this could result in serious personal injury.

- Use Only With the 56V Lithium-Ion Telescopic Power Pole PPX1000/PPX1000-FC.
- **Do not wash with a hose; avoid getting water in motor and electrical connections.**
- **If situations occur that are not covered in this manual, use care and good judgment. Contact the EGO Customer Service Center for assistance.**
- **Save these instructions.** Refer to them frequently and use them to instruct others who may use this tool. If you lend this tool to someone else, also lend these instructions to them to prevent misuse of the product and possible injury.
- **Clear the area to be cut before each use. Check the hedge for foreign objects, e.g. wire fences.**
- **Do not use on a ladder, rooftop, tree, or other unstable support.** Stable footing on a solid surface enables better control of the hedge trimmer in unexpected situations.
- **Do not overreach. Keep proper footing and balance at all times. Special care must be taken in slippery conditions (wet ground, snow) and in difficult, overgrown terrain. Watch for hidden obstacles such as tree stumps, roots and ditches to avoid fallen branches, scrub and cuttings. Be extremely cautious when working on slopes or uneven ground.**
- **Observe the cutting blades at all times – do not cut any area if the hedge that you cannot see. When cutting the top of a taller hedge, check the other side of the hedge frequently for bystanders, animals and obstructions.**
- **Do not grasp the exposed cutting blades or cutting edges when picking up or holding the hedge trimmer.**
- **On machines with a defined transport position (cutting blade folded flat against the hedge trimmer shaft): Never start the machine in the transport position, since the blades are not engaged in that position and you therefore cannot visually check to see that they will be stopped at idle when you start to adjust the cutting blade to the desired cutting position (where the blades are engaged).**

- **Check damaged parts before further use of the hedge trimmer. Any part that is damaged should be carefully checked to determine that it will operate properly and perform its intended function. Check for alignment of moving parts, binding of moving parts, breakage of parts, mounting, and any other condition that may affect its operation. Any part that is damaged should be properly repaired or replaced by an authorized service center unless indicated elsewhere in this manual.**
- **Check the blade and motor mounting bolts at frequent intervals for proper tightness. Also, visually inspect blade for damage (e.g., bent, cracked, and worn). Replace the blade only with a blade from EGO™.**
- **Replace the blade if it is bent or cracked. An unbalanced blade causes vibration that could damage the motor drive unit or cause personal injury.**
- **If the equipment should start to vibrate abnormally, switch off the tool and check immediately for the cause. Vibration is generally a warning of trouble.**
- **Never allow children to operate the hedge trimmer.**
- **The trimmer shall be used to cut stems less than 1" (26mm) thick.**
- **Trim only in daylight or in good artificial light.**
- **Follow instructions for lubricating and sharpening.**
- **Keep handles dry, clean and free from oil and grease.**

SAVE THESE INSTRUCTIONS!

NOTE: SEE YOUR TELESCOPIC POWER POLE OPERATOR'S MANUAL FOR ADDITIONAL SPECIFIC SAFETY RULES.



INTRODUCTION

Congratulations on your selection of the EGO HEDGE TRIMMER ATTACHMENT. It has been designed, engineered and manufactured to give you the best possible dependability and performance.

Should you experience any problem you cannot easily remedy, please contact EGO customer service center 1-855-EGO-5656.

This manual contains important information on the safe assembly, operation and maintenance of your product. Read it carefully before using the product. Keep this manual handy so you can refer to it at any time.

SERIAL NUMBER _____ DATE OF PURCHASE _____
YOU SHOULD RECORD BOTH SERIAL NUMBER AND DATE OF PURCHASE AND KEEP THEM IN A SAFE PLACE FOR FUTURE REFERENCE

SPECIFICATIONS

Blade Length	20"(510mm)
Cutting Capacity	1" (26mm)
Recommended Operating Temperature	32-104°F(0-40°C)
Recommended Storage Temperature	-4-158°F(-20-70°C) *For the appliance WITHOUT battery pack
Weight	5.89 lb. (2.67 kg)

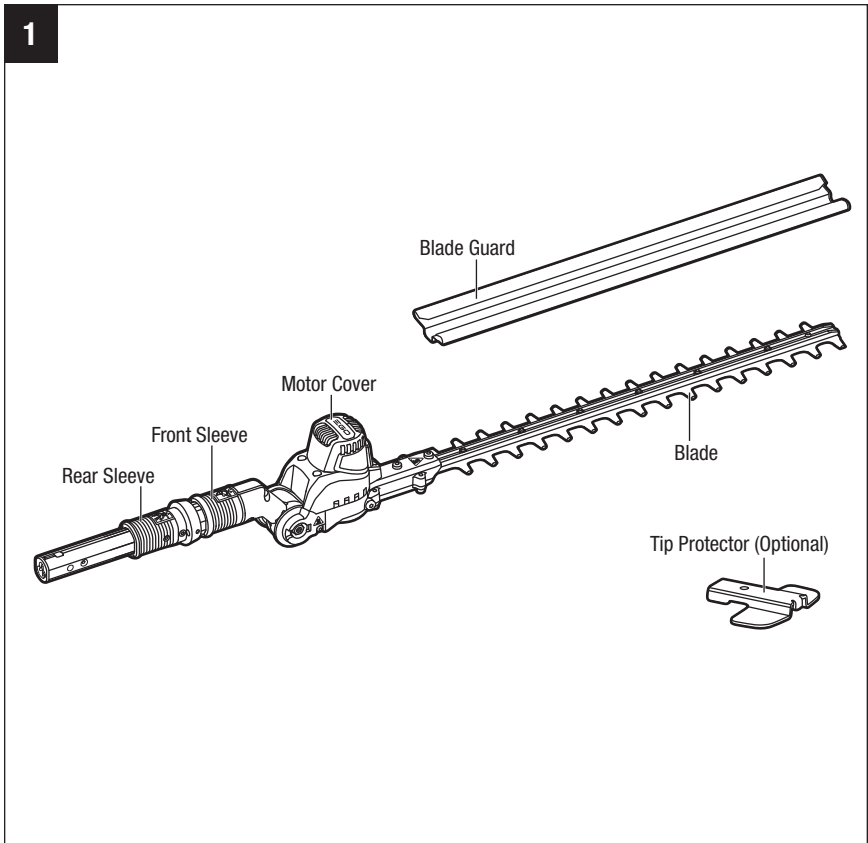
PACKING LIST

PART NAME	QUANTITY
Hedge Trimmer Attachment	1
Blade Guard	1
Operator's Manual	1

DESCRIPTION

KNOW YOUR HEDGE TRIMMER ATTACHMENT (Fig.1)

The safe use of this product requires an understanding of the information on the tool and in this operator's manual, as well as knowledge of the project you are attempting. Before using this product, familiarize yourself with all operating features and safety rules.



Front Sleeve

Pull backward and hold it to unlock elevation angle adjustment.

Rear Sleeve

Pull backward and hold it to unlock side angle adjustment.

Tip Protector (Optional)

Protects the outer end of the blade. If there is a need, please contact EGO customer service center 1-855-EGO-5656.

BLADE

Laser cut double-sided steel blades for cutting hedges and shrubs.

BLADE GUARD

Safeguards against contact with the sharp blades when the tool is not in use. Protects the blades from damage when the tool is in transportation and storage.

ASSEMBLY

⚠ WARNING: If any parts are damaged or missing, do not operate this product until the parts are replaced. Use of this product with damaged or missing parts could result in serious personal injury.

⚠ WARNING: Do not attempt to modify this product or create accessories not recommended for use with this telescopic power pole. Any such alteration or modification is misuse and could result in a hazardous condition leading to possible serious personal injury.

UNPACKING

- Inspect the tool carefully to make sure that no breakage or damage occurred during shipping.
- Do not discard the packing material until you have carefully inspected and satisfactorily operated the tool.
- If any parts are damaged or missing, please return the product to the place of purchase.

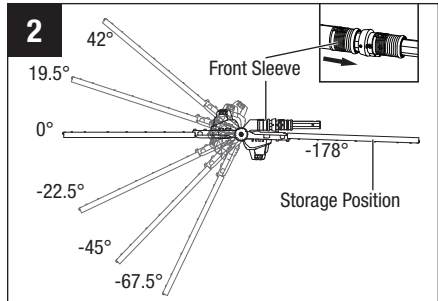
ADJUSTING THE HEDGE

When the hedge trimmer attachment is taken out from the package, it has been folded in its storage position (Fig. 2). The elevation angle and side angle of its blade can be adjusted independently. Adjust the blade to a suitable working position before operation.

Elevation Angle Adjustment

Except for the storage position, there are 6 elevation angle working positions. The blade can be adjusted to any of 6 positions, from -67.5° to $+42^\circ$ (Fig. 2).

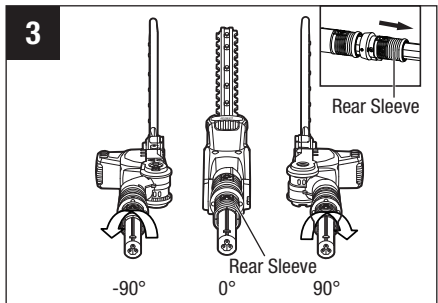
1. Pull back the front sleeve, then hold the motor cover to rotate the blade to the desired cutting position.
2. Once the desired position reached, release the sleeve. The sleeve bouncing back to its original position indicates that the blade has been locked in the selected working position.



Side Angle Adjustment

There are two side working positions (Fig. 3). The blade can be adjusted to the left or right 90° .

1. Pull back the rear sleeve, then hold the motor cover to rotate the blade to the desired cutting position.
2. Once the desired position reached, release the sleeve. The sleeve bouncing back to its original position indicates that the blade has been locked in the selected working position.



⚠ WARNING: To reduce the risk of injury, remove the battery before making adjustments and make adjustments only when the blades are at a standstill. Never touch the blades while making adjustments.

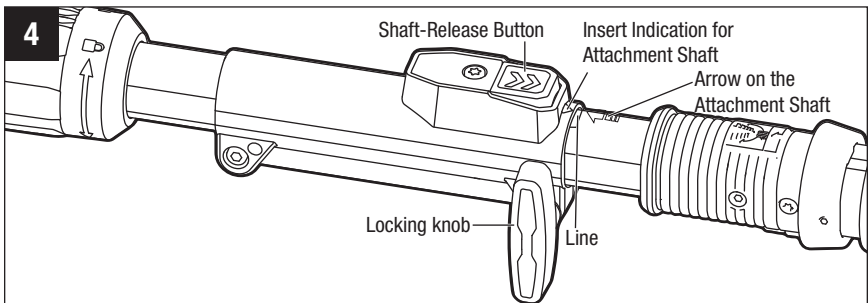
CONNECTING THE HEDGE TRIMMER ATTACHMENT TO THE TELESCOPIC POWER POLE

This hedge trimmer attachment is designed for use with EGO telescopic power pole PPX1000//PPX1000-FC.

The hedge trimmer attachment connects to the telescopic power pole by means of a coupler device.

1. Switch off the tool and remove the battery pack.
2. Loosen the locking knob
3. Align the arrow on the hedge trimmer shaft with the insert indication on the coupler and push the hedge trimmer attachment into the coupler until you hear a clear “click” sound. The hedge trimmer shaft should be positioned all the way to the LINE on the shaft that indicates that the hedge trimmer attachment is properly mounted into place (Fig. 4).
4. Pull the shaft of the hedge trimmer attachment to verify that it is securely locked into the coupler. If not, push the attachment shaft into the coupler until it snaps into place.
5. Tighten the locking knob securely.

⚠ WARNING: To avoid serious personal injury, be certain that the locking knob is fully tightened before operating the tool. Check it periodically for tightness during use.

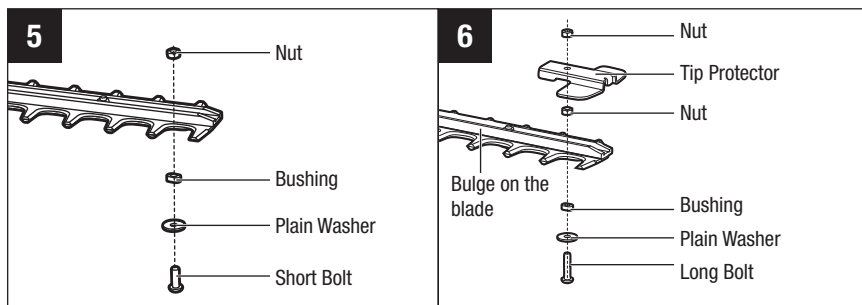


DETACHING THE ATTACHMENT FROM THE TELESCOPIC POWER POLE

1. Switch off the tool and remove the battery pack.
2. Loosen the locking knob.
3. Press the shaft-release button and, with the button depressed, pull the hedge trimmer attachment out of the coupler to detach it from the telescopic power pole.

MOUNTING THE TIP PROTECTOR (Available separately)

1. Use a hex wrench (not included) to remove the short bolt, plain washer, bushing and nut at the end of the blade (Fig. 5). Save the plain washer, bushing and nut for reassembly.
2. Align the tip protector with the bulge on the blade and mount it into place. Secure it with the new long bolt and nut as well as the saved washer, bushing and nut (Fig. 6).



OPERATION

⚠ DANGER: Never cut near power lines, electric cords, or other electric sources. If the blades jam on any electrical cord or line, **DO NOT TOUCH THE BLADE OR THE ALUMINUM POLE! THEY CAN BECOME ELECTRICALLY LIVE AND MAY BE VERY DANGEROUS.** Continue to hold the hedge trimmer attachment by the insulated handle or lay it down and away from you in a safe manner. Disconnect the electrical service to the damaged line or cord before attempting to free the blade from the line or cord. Contact with the blade, other conductive parts of the hedge trimmer attachment, or live electric cords or lines will result in death by electrocution or serious injury.

⚠ WARNING: Do not allow familiarity with this product to make you careless. Remember that a careless fraction of a second is sufficient to inflict serious injury.

⚠ WARNING: Always wear safety goggles or safety glasses with side shield marked to comply with ANSI Z87.1. Failure to do so could result in objects being thrown into your eyes and other possible serious injuries.

⚠ WARNING: To prevent serious personal injury, remove the battery pack from the tool before servicing, cleaning, changing attachments or removing material from the unit.

Before each use, inspect the entire product for damaged, missing, or loose parts such as screws, nuts, bolts, caps, etc. Tighten securely all fasteners and do not operate this product until all missing or damaged parts are replaced.

APPLICATIONS

You may use this product for trimming hedges, shrubs, scrub, bushes and similar material with a branch diameter of less than 1 in. (26mm).

USING THE HEDGE TRIMMER WITH TELESCOPIC POWER POLE

⚠ WARNING: Dress properly to reduce the risk of injury when operating this tool. Do not wear loose clothing or jewelry. Wear eye and ear/hearing protection. Wear heavy, long pants, boots, and gloves. Do not wear short pants or sandals or go barefoot.

PREPARATION FOR CUTTING

Refer to “SAFETY INSTRUCTIONS” earlier in this manual for appropriate safety equipment.

1. Adjust the cutting blade to the desired working position.
2. Remove the blade guard from the blade.

WORKING TECHNIQUES

Horizontal Cutting (with cutting head at an angle)

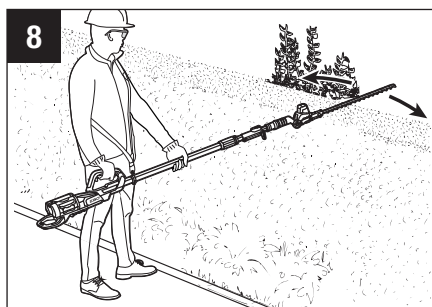
Cut close to the ground from a standing position, e.g. for trimming low shrubs.

Swing the blade right and left as you move along the hedge—use both sides of the blades and do not rest the cutter blade on the ground (Fig. 7).

Horizontal Cutting (with straight cutting head)

Hold the blade at an angle of 0° as you slowly swing the hedge trimmer horizontally. Swing the blade in an arc towards the outsides of the hedge so that the cuttings are swept to the ground (Fig. 8).

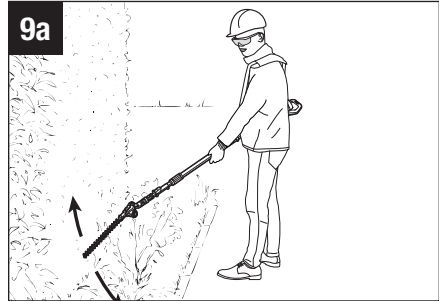
Recommendation: Cut hedges that are no more than chest height in this working position.



Vertical Cutting (cutting head at an angle)

Cutting without standing directly next to the hedge, e.g. flowerbed between operator and hedge.

In this cutting position, for your better control of the hedge trimmer, it is recommended that connect the hedge trimmer with the cutting head at the side cutting position.



Swing the cutting head up and down in an arc as you move along the hedge – use both sides of the cutting blade (Fig. 9a).

Vertical Cutting (with straight cutting head)

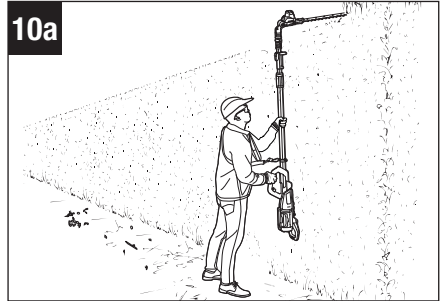
Extra long reach without the need for other aids. Swing the cutting head up and down in an arc as you move along the hedge – use both sides of the cutting blade (Fig. 9b).



Overhead Cutting (with blade at an angle)

Hold the hedge trimmer vertically and slowly swing it in an arc to make maximum use of its reach (Fig. 10a & 10b). For extreme high hedge, the extension pole is suitable for aids in trimming.

⚠ WARNING: Any overhead working position is tiring. To minimize the risk of accidents, work in such positions for short periods only. Set the angle of the blade to maximum so that the tool can be held in a lower, less tiring position while still providing adequate reach.



TO START/STOP THE TOOL

See "**STARTING/STOPPING THE TELESCOPIC POWER POLE**" section in the telescopic power pole PPX1000/PPX1000-FC operator's manual.

MAINTENANCE

⚠ WARNING: When servicing, use only EGO genuine replacement parts. Use of any other parts may create a hazard or cause product damage. To ensure safety and reliability, all repairs should be performed by a qualified service technician.

⚠ WARNING: To prevent serious personal injury, remove the battery pack from the power pole before inspecting, cleaning, performing maintenance or changing add-on attachments.

GENERAL MAINTENANCE

Avoid using solvents when cleaning plastic parts. Most plastics are susceptible to damage from various types of commercial solvents and may be damaged by their use. Use clean cloths to remove dirt, dust, oil, grease, etc.

⚠ WARNING: When cleaning the hedge trimmer attachment, DO NOT immerse it in water or other liquids.

CLEANING

- Use a soft brush to remove debris from all air intakes and cutting blades.
- To remove pitch and other sticky residue, spray the blades with resin solvent. Run the motor briefly so that the solvent is evenly distributed.
- Do not use any strong detergents on the plastic housing or the handle. They can be damaged by certain aromatic oils, such as pine and lemon, and by solvents such as kerosene. Moisture can also cause a shock hazard. Wipe off any moisture with a soft dry cloth. NEVER use water for cleaning the tool.

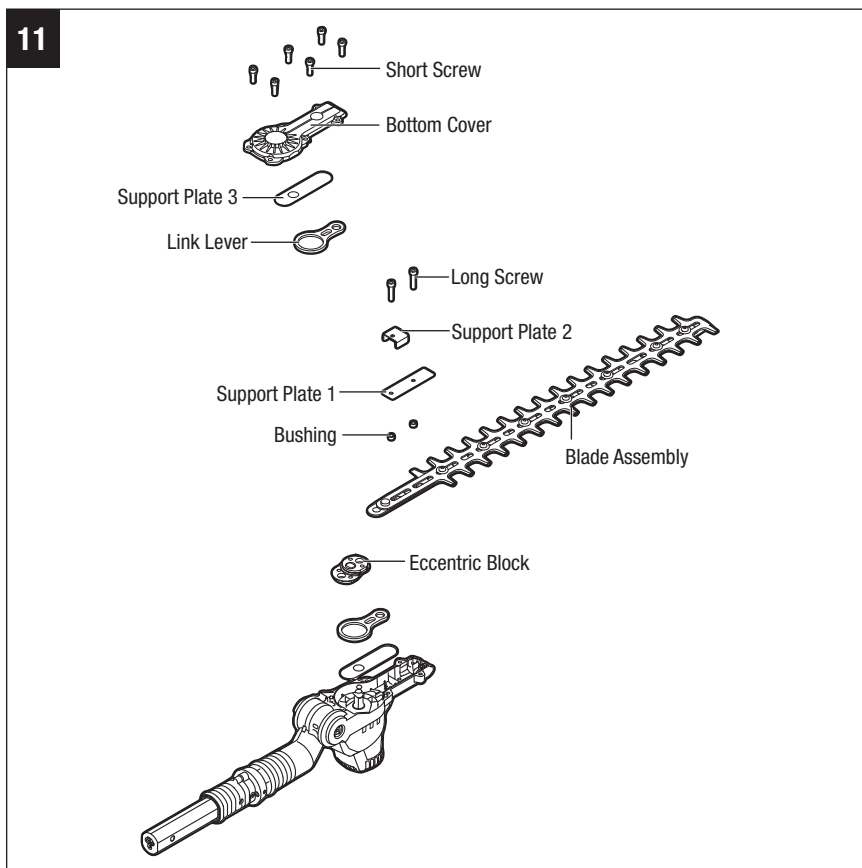
All hedge trimmer service, other than the items listed in these maintenance instructions, should be performed by competent hedge trimmer service personnel.

REPLACING THE BLADE

⚠ WARNING: Always wear gloves when handling the blade; these components are very sharp and may contain burrs.

1. Switch off the tool and remove the battery pack.

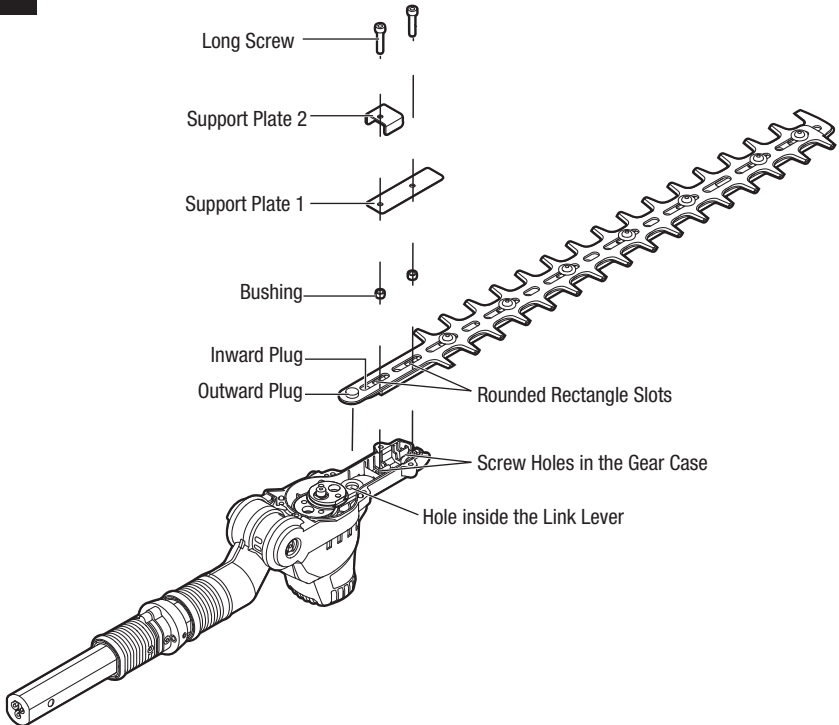
2. Adjust the blade to the horizontal position, ensuring that the blade assembly is in line with the hedge trimmer shaft for easy mounting (Fig. 11).



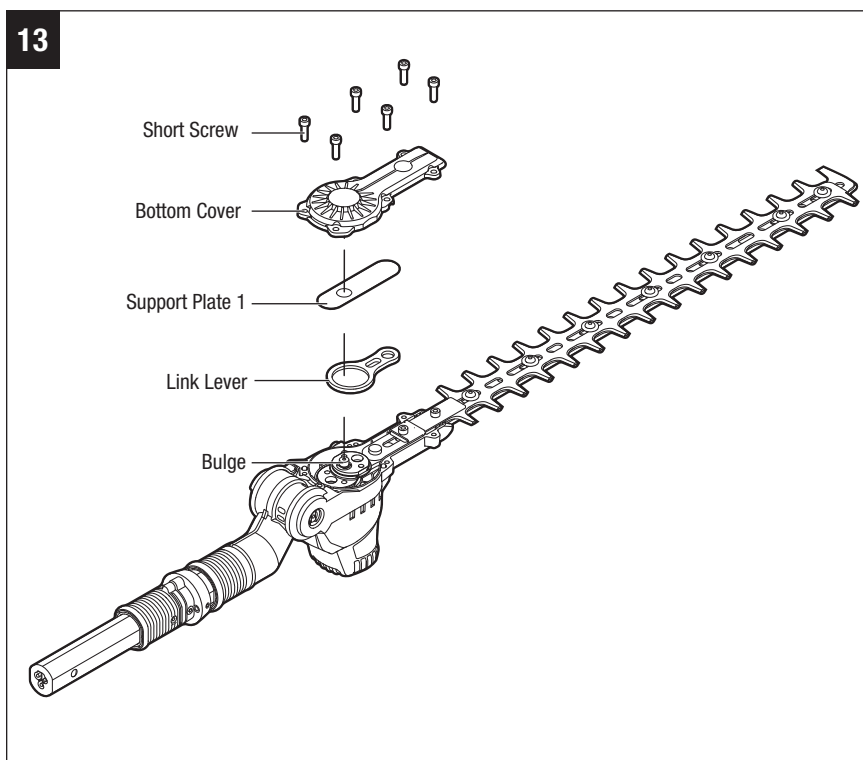
3. Use a hex wrench (not included) to loosen the 6 screws (short screws) in the bottom cover and remove them.
4. Continue loosening the 2 screws (long screws) to remove the support plate 1 & 2, as well as the 2 bushings. The 2 bushings are separately located inside the two rounded rectangle slots in the blade assembly.
5. Remove the support plate 3.
6. Carefully remove the link lever from the blade.

7. Remove the blade assembly from the tool and ensure that the eccentric block assembly position remains unchanged.
8. Align the inward bulge on the new blade assembly with the hole inside the link lever to install the new blade assembly into place.
9. Insert the two bushings into the two rounded rectangle separately.
10. Mount the support plate 1 and then mount the support plate 2.
11. Keep the inside holes in the blade, the bushings, and the holes in the support plates in line with the screw holes in the gear case. Install the 2 long screws into the aligned holes and tighten them securely (Fig.12).

12



12. Slightly move the upper blade back and forth to check whether the blade can move freely. If not, reassemble the blades until the upper blade can move freely.
13. Install the link lever.
14. Align the hole of support plate 3 with the bulge on the eccentric block to install the support plate into place, ensuring that the plate is exactly located in the center, parallel to both edges.
15. Mount the bottom cover onto the gear case and secure it with 6 short screws (Fig. 13).



16. Start the hedge trimmer to check whether the hedge trimmer can work normally. If it does not, reassemble following the above steps.

SHARPENING THE BLADE PERIODICALLY

When cutting performance and behavior begin to deteriorate, re-sharpen the blades.

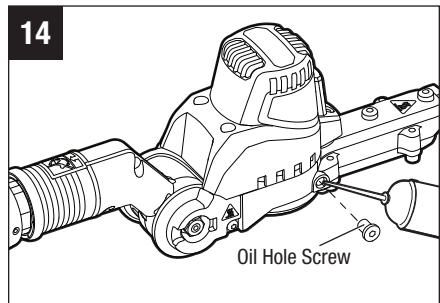
1. Detach the hedge trimmer head from the power pole.
2. Place the hedge trimmer in a suitable position.
3. For standard steel blade, sharpen the blades with a standard metal file.

NOTICE: Do not operate your hedge trimmer with dull or damaged blades. This may cause overload and will give unsatisfactory cutting results.

LUBRICATING THE BLADE (Fig. 14)

For best operation and longer blade life, lubricate the hedge trimmer blade with anti-rusting oil after each use. **DO NOT FULLY FILL OIL HOLE WITH THE OIL.**

1. Remove the oiling hole screw on the gear case by a hex wrench (not included).
2. Inject maximum 0.01 lb. (5g) grease into the oiling hole.
3. Tighten the screw after injection.



LUBRICATING THE DRIVE GEAR

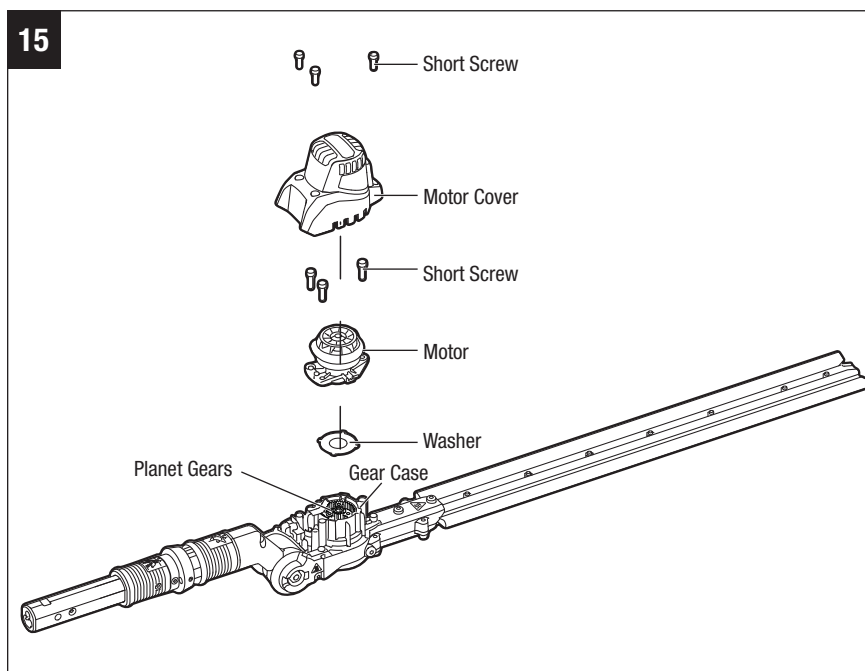
For best operation and longer lifetime, lubricate the hedge trimmer attachment drive gear with a special grease every 100 hours operation.

The grease should meet the following requirements:

- NLGI Grade Penetration: NLGI-2;
- Thickener Type: Polyurea;
- Recommended Operating Temperature Range: -40°F to 356°F (-40°C to 180°C);
- Other than above, the grease should also be shear stable with exceptional pressure characteristics and excellent anti-wear property, and perfect oxidation stability.

Follow the steps below to fill with the grease:

1. Switch off the tool and remove the battery pack.
2. Use a hex wrench (not included) to loosen and remove 3 short screws on the motor cover and then detach the motor cover (Fig. 15).



NOTE: After removing the motor cover, clean up the sawdust around the motor.

3. Loosen the 3 short screws on the motor and then detach the motor and the washer.
4. Use a grease gun (not included) to inject maximum 0.01 lb. (5g) grease at the center of the 3 upper planet gears into the gear case.

NOTE: Ensure that the position of other parts near the gear case remains unchanged during injection.

5. Reassemble the washer and the motor by tightening the 3 short screws.
6. Reassemble the motor cover by tightening the 3 short screws.

7. Start the tool to check whether it can work normally. If it does not, reassemble by following above steps.

TRANSPORTING AND STORING

- Remove the battery pack from the tool.
- Clean the tool thoroughly before storing it.
- Put on the blade guard onto the cutting blade before storing or transporting. Use caution to avoid the sharp teeth of the blades. For saving space, fold the hedge trimmer attachment to its storage position (Fig. 2).
- Store the unit in a dry, well-ventilated area, locked-up or up high, out of the reach of children. Do not store the unit on or adjacent to fertilizers, gasoline, or other chemicals.

TROUBLESHOOTING

PROBLEM	CAUSE	SOLUTION
Hedge trimmer doesn't work.	<ul style="list-style-type: none"> ■ No electrical contact between the trimmer and battery. ■ The battery pack is depleted. ■ The battery pack or power head is too hot. ■ The blade is jammed. ■ The hedge trimmer is not well connected with the power pole. 	<ul style="list-style-type: none"> ■ Remove battery, check contacts and reattach the battery pack. ■ Charge the battery pack. ■ Allow the battery pack or power pole to cool down before restarting the tool. ■ Remove the battery pack from the tool. Remove the obstruction carefully and then reinsert the battery and restart the tool. ■ Disconnect the hedge trimmer from the power pole. Reconnect them following the section "CONNECTING THE HEDGE TRIMMER ATTACHMENT TO THE POWER POLE" in this manual.
Excessive vibration or noise.	<ul style="list-style-type: none"> ■ Dry or corroded blades. ■ Blades or blade support is bent. ■ Bent or damaged teeth. ■ Loose blade bolts. 	<ul style="list-style-type: none"> ■ Lubricate the blades. ■ Replace with a new blade or support following the section "REPLACING THE BLADE" in this manual or contact EGO service center for replacement. ■ Replace with a new blade following the section "REPLACING THE BLADE" in this manual or contact EGO service center for replacement. ■ Tighten the blade bolts. Using a hex wrench (not included), turn the bolt clockwise to tighten.

WARRANTY

EGO WARRANTY POLICY

5-year limited warranty on EGO POWER+ outdoor power equipment and portable power for personal, household use.

3-year limited warranty on EGO POWER+ System battery packs and chargers for personal, household use. An additional 2-year extended warranty applies for the 10.0Ah battery whether sold separately (Model# BA5600T) or included with any tool, if it is registered within 90 days of purchase. 5-year limited warranty on CHV1600 charger, designed for use with Zero Turn Riding Mower for personal, household use.

2 year/1year limited warranty on EGO outdoor power equipment, portable power, battery packs, and chargers for professional and commercial use.

The detailed warranty periods by products can be found online at <http://egopowerplus.com/warranty-policy>.

Please contact EGO Customer Service Toll-Free at 1-855-EGO-5656 any time you have questions or warranty claims.

LIMITED SERVICE WARRANTY

EGO products are warranted against defects in material or workmanship from the date of original retail purchase for the applicable warranty period. Defective product will receive free repair.

- a) This warranty applies only to the original purchaser from an authorized EGO retailer and may not be transferred. Authorized EGO retailers are identified online at <http://egopowerplus.com/warranty-policy>.
- b) The warranty period for reconditioned or factory certified products used for residential purpose is 1 year, for industrial, professional or commercial purpose is 90 days.
- c) The warranty period for routine maintenance parts, such as, but not limited to, ride-on mower seat, wheels, tires, anti-scalp wheels, brake disc, friction block, blades, trimmer heads, chain bars, saw chains, belts, scraper bars, rubber paddles, augers, skid shoes, blower nozzles, and all other EGO accessories is 90 days for residential purpose, 30 days for industrial, professional or commercial purpose. These parts are covered for 90/30 days from manufacture defects in normal working conditions.
- d) This warranty is void if the product has been used for rental purpose.



- e) This warranty does not cover the damage resulting from modification, alteration or unauthorized repair.
- f) This warranty only covers defects arising under normal usage and does not cover any malfunction, failure or defect resulting from misuse, abuse (including overloading of the product beyond capacity and immersion in water or other liquid), accidents, neglect or lack of proper installation, and improper maintenance or storage.
- g) This warranty does not cover normal deterioration of the exterior finish, including but not limited to scratches, dents, paint chips, or to any corrosion or discoloring by heat, abrasive and chemical cleaners.

HOW TO OBTAIN SERVICE

For warranty service, please contact EGO customer service toll-free at **1-855-EGO-5656**. When requesting warranty service, you must present the original dated sales receipt. An authorized service center will be selected to repair the product according to the stated warranty terms. When bringing your product to the authorized service center, there may be a small deposit that will be required when dropping off your tool. This deposit is refundable when the repair service is deemed to be covered under warranty.

ADDITIONAL LIMITATIONS

To the extent permitted by applicable law, all implied warranties, including warranties of MERCHANTABILITY or FITNESS FOR A PARTICULAR PURPOSE, are disclaimed. Any implied warranties, including warranties of merchantability or fitness for a particular purpose, that cannot be disclaimed under state law are limited to the applicable warranty period defined at the beginning of this article.

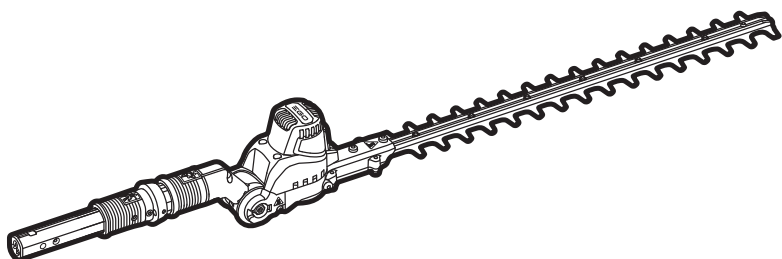
Chervon North America is not responsible for direct, indirect, incidental or consequential damages.

Some states do not allow limitations on how long an implied warranty lasts and/or do not allow the exclusion or limitation of incidental or consequential damages, so the above limitations may not apply to you.

This warranty gives you specific legal rights, and you may also have other rights which vary from state to state.

For customer service contact us toll-free at: **1-855-EGO-5656 or EGOPOWERPLUS.COM**. EGO Customer Service, 769 SEWARD AVE NW / Suite 102 Grand Rapids, MI 49504

EGO™



EXCLUSIVEMENT POUR UTILISATION
AVEC LA COLONNETTE DE SERVICE TÉ-
LESCOPIQUE EGO PPX1000/PPX1000-FC

GUIDE D'UTILISATION

ATTACHEMENT DE TAILLE-HAIE

NUMÉRO DE MODÈLE PTX5100/PTX5100-FC

⚠ AVERTISSEMENT : Afin de réduire les risques de blessure, l'utilisateur doit lire et comprendre le guide d'utilisation avant d'utiliser ce produit. Conservez le présent guide afin de pouvoir le consulter ultérieurement.

TABLE DES MATIÈRES

Symboles relatifs à la sécurité	34
Consignes de sécurité	35-40
Introduction	41
Spécifications	41
Liste des pièces	41
Description	42-43
Assemblage	44-47
Fonctionnement	48-51
Maintenance	52-59
Recherche de la cause des problèmes	60
Garantie	61-62

LISEZ TOUTES LES INSTRUCTIONS !



LISEZ & COMPRENEZ
LE MODE D'EMPLOI

⚠ AVERTISSEMENT : Des travaux de ponçage, de sciage, de meulage et de perçage réalisés avec un outil électrique et d'autres travaux de construction peuvent produire des poussières qui, selon l'État de Californie, contiennent des produits chimiques qui sont des causes reconnues de cancer, de malformation congénitale ou d'autres problèmes reproductifs. Ces produits chimiques sont, par exemple :

- du plomb provenant de peinture au plomb,
- des cristaux de silices provenant des briques et du ciment, et d'autres produits de maçonnerie, et
- de l'arsenic et du chrome provenant de bois de construction traité par des produits chimiques.

Le niveau de risque causé par de telles expositions varie en fonction de la fréquence à laquelle vous faites ces types de travaux. Pour réduire votre exposition à ces produits chimiques : travaillez dans un lieu bien ventilé et portez un équipement de sécurité approprié tel que certains masques conçus spécialement pour filtrer les particules microscopiques.

SYMBOLES RELATIFS À LA SÉCURITÉ

La raison d'être des symboles relatifs à la sécurité est d'attirer votre attention sur des dangers possibles. Il est important de vous familiariser avec les symboles relatifs à la sécurité et les explications qui les accompagnent afin de bien les comprendre. Les avertissements et les symboles associés ne suffisent pas à éliminer tous les dangers. Les instructions et les avertissements qu'ils donnent ne sauraient remplacer des mesures de prévention des accidents appropriées.

⚠ AVERTISSEMENT : Lisez toutes les consignes de sécurité qui sont contenue dans ce Mode d'emploi, y compris tous les symboles d'alerte relatifs à la sécurité tels que « **DANGER** », « **AVERTISSEMENT** » et « **MISE EN GARDE** », et assurez-vous que vous les comprenez bien avant de commencer à utiliser cet outil. La non-observation de toutes les instructions figurant ci-après pourrait causer un choc électrique, un incendie et/ou des blessures personnelles graves.

SIGNIFICATION DES SYMBOLES

⚠ SYMBOLE D'ALERTE RELATIF À LA SÉCURITÉ : Indique **DANGER**, **AVERTISSEMENT** ou **MISE EN GARDE**. Peut être utilisé conjointement avec d'autres symboles ou pictogrammes.



⚠ AVERTISSEMENT : Pendant leur fonctionnement, les outils électriques peuvent projeter des corps étrangers dans les yeux de leur utilisateur et lui infliger de graves blessures aux yeux. Portez toujours des lunettes de protection ou des lunettes de sécurité à écrans latéraux et un masque couvrant tout le visage lors de l'utilisation de ce produit.

Nous recommandons de porter un masque de sécurité à vision latérale large au-dessus des lunettes ordinaires ou des lunettes de sécurité standard avec des écrans de protection sur les côtés. Utilisez toujours un équipement de protection des yeux indiquant qu'il est conforme à la norme ANSI Z87.1.

CONSIGNES DE SÉCURITÉ

Cette page illustre et décrit les symboles relatifs à la sécurité qui peuvent apparaître sur ce produit. Lisez, comprenez et suivez toutes les instructions figurant sur la machine avant de tenter de l'assembler et de la faire fonctionner.

	<p>Alerte relative à la sécurité</p>	<p>Indique un danger de blessure potentiel.</p>
	<p>Lisez & comprenez le mode d'emploi</p>	<p>Pour réduire le risque de blessure, l'utilisateur doit lire et comprendre le mode d'emploi avant de commencer à utiliser ce produit.</p>
	<p>Danger – Gardez les mains à une distance appropriée des lames</p>	<p>Tout contact avec la lame causerait une blessure grave.</p>
	<p>Portez toujours des lunettes de sécurité</p>	<p>Portez toujours des lunettes de protection ou des lunettes de sécurité à écrans latéraux et un masque couvrant tout le visage lors de l'utilisation de ce produit.</p>
	<p>Portez des lunettes de protection et un casque protégeant votre tête.</p>	<p>Portez toujours des lunettes de protection et un casque protégeant votre tête lorsque vous utilisez ce produit.</p>
	<p>Restez à une distance suffisante des lignes électriques.</p>	<p>Pour ne pas risquer de vous faire électrocuter, n'utilisez pas cet équipement à moins de 15 m / 50 pi de lignes électriques surélevées. Tout contact avec des lignes électriques ou toute utilisation à proximité de lignes électriques risquerait de causer des blessures graves ou un choc électrique pouvant entraîner la mort.</p>
	<p>Sceau Li-ion RBRC</p>	<p>Désigne le programme de recyclage des piles Li-ion.</p>

IPX5	Indice de protection à l'entrée	Protection contre les éclaboussures d'eau
V	Volts	Tension
mm	Millimètres	Longueur ou taille
in.	Pouces	Longueur ou taille
kg	Kilogrammes	Poids
lb.	Livres	Poids

⚠ AVERTISSEMENTS RELATIFS À LA SÉCURITÉ POUR LE TAILLE-HAIE

- **Gardez toutes les parties de votre corps à une distance suffisante de la lame. Ne tentez pas de retirer des matériaux coupés ou de tenir des matériaux à couper pendant que les lames sont en mouvement.** Les lames continuent à tourner pendant un certain temps après que vous avez appuyé sur l'interrupteur pour arrêter l'outil. Un simple moment d'inattention pendant que vous utilisez ce taille-haie pourrait causer une blessure grave.
- **Portez le taille-haie par la poignée après vous être assuré(e) que le lame s'est arrêtée et en faisant attention de ne pas actionner l'interrupteur.** Le fait de porter le taille-haie de façon appropriée réduira le risque de démarrage accidentel et de blessures pouvant être causées par le mouvement des lames en conséquence.
- **Lorsque vous transportez ou rangez le taille-haie, installez toujours le protège-lame.** Le fait de manipuler le taille-haie de façon appropriée réduira le risque de blessures pouvant être causées par les lames.
- **Lorsque vous retirez des déchets coincés ou lorsque vous effectuez une opération de maintenance de l'équipement, assurez-vous que tous les interrupteurs sont en position d'arrêt et que le bloc-piles a été retiré ou déconnecté.** Une mise en marche inattendue du taille-haie pendant que l'opérateur s'efforce d'en retirer des déchets coincés ou d'effectuer une opération d'entretien pourrait causer une blessure grave.
- **Tenez seulement le taille-haie par ses surfaces de préhension isolées, parce que la lame pourrait entrer en contact avec des fils sous tension dissimulés.** L'entrée en contact des lames avec un fil sous tension pourrait rendre conductrices des parties en métal exposées du taille-haie et causer un choc électrique à l'opérateur.

- **Gardez tous les câbles et cordons d'alimentation à distance de la zone de coupe.** Des câbles ou cordons d'alimentation peuvent être cachés dans des haies ou sous des arbustes, et ils pourraient être coupés accidentellement par la lame.
- **N'utilisez pas le taille-haie par mauvais temps, en particulier il y a un risque de foudre.** Cela diminue le risque d'être frappé par la foudre.

⚠️ CONSIGNES DE SÉCURITÉ ADDITIONNELLES POUR LE TAILLE-HAIE UTILISÉ AVEC UNE RALLONGE

- **Pour réduire le risque d'électrocution, n'utilisez jamais le taille-haie avec une rallonge à proximité de ligne électriques.** Tout contact avec des lignes électriques ou toute utilisation à proximité de lignes électriques risquerait de causer des blessures graves ou un choc électrique pouvant entraîner la mort.
- **Utilisez toujours les deux mains lorsque vous utilisez le taille-haie avec une rallonge.** Tenez la rallonge du taille-haie avec les deux mains pour ne pas risquer de perdre le contrôle.
- **Utilisez toujours un casque pour protéger votre tête lorsque vous utilisez le taille-haie avec une rallonge.** La chute de débris pourrait causer des blessures graves.

⚠️ AVERTISSEMENTS SUPPLÉMENTAIRES

- **Ne chargez pas le bloc-piles sus la pluie ou dans des endroits mouillés.**
- **Le bloc-piles doit être retiré de l'appareil avant sa mise au rebut.**
- **La pile doit être mise au rebut en toute sécurité.**
- **Ne jetez pas une pile dans un feu. Les cellules pourraient exploser.** Consultez les codes locaux pour apprendre s'il existe des instructions spéciales pour la mise au rebut.
- **N'ouvrez pas la pile et ne la mutilez pas.** L'électrolyte qui pourrait en sortir est corrosif et risquerait de causer des lésions aux yeux ou à la peau. Il peut être toxique si vous l'avalez.

⚠️ MISE EN GARDE! L'électrolyte consiste en acide sulfurique dilué qui est toxique pour la peau et pour les yeux. Il est conducteur électriquement et corrosif.

- **Prenez des précautions lorsque vous manipulez des piles afin de ne pas risquer de les court-circuiter avec des matériaux conducteurs tels que des bagues, des bracelets ou des clés.** La pile ou le conducteur peut surchauffer et causer des brûlures.

- **Il n'est pas nécessaire de brancher les outils alimentés par des piles dans une prise de courant ; ils sont toujours en état de fonctionnement. Ayez conscience des dangers possibles même lorsque l'outil n'est pas en marche.** Faites preuve de prudence lorsque vous effectuez des opérations de maintenance ou des réparations.
- **Retirez le bloc-piles de l'outil avant de le réparer, de le nettoyer ou de retirer des déchets de l'outil.**
- **Pièces de rechange** – Lors de toute réparation, n'utilisez que des pièces de rechange EGO identiques. L'utilisation de tout autre accessoire ou attachement peut augmenter le risque de blessure.
- N'utilisez qu'avec les blocs-piles et chargeurs indiqués ci-dessous :

BLOC-PILES	CHARGEUR
BA1400, BA1400-FC, BA2800, BA2800-FC, BA4200, BA4200-FC, BA1400T, BA1400T-FC, BA2240T, BA2240T-FC, BA2800T, BA2800T-FC, BA4200T, BA4200T-FC, BA5600T, BA5600T-FC, BAX1501, BAX1501-FC	CH2100, CH2100-FC, CH5500, CH5500-FC, CH2800D, CH2800D-FC, CH7000, CH7000-FC, CHX5500, CHX5500-FC

⚠ AVERTISSEMENT : N'utilisez pas la bretelle pour port en bandoulière lorsque l'outil est alimenté par le bloc-piles BAX1501/BAX1501-FC. Si vous ne respectez pas cette consigne, vous risqueriez de causer des blessures graves.

- Pour utilisation exclusive avec la colonnette de service télescopique à pile au lithium-ion de 56 V PPX1000/PPX1000-FC.
- **Ne lavez pas avec un tuyau flexible ; évitez de faire pénétrer de l'eau dans le moteur et les connexions électriques.**
- **Si des situations qui ne sont pas traitées dans ce mode d'emploi surviennent, faites attention et utilisez votre jugement. Contactez le centre de service à la clientèle d'EGO pour obtenir de l'assistance.**
- **Conservez ces instructions.** Consultez-les fréquemment et utilisez-les pour donner les instructions nécessaires à d'autres personnes qui peuvent utiliser cet outil. Si vous prêtez cet outil à quelqu'un d'autre, donnez-lui également ces instructions pour éviter toute utilisation abusive du produit et tout risque de blessure.
- **Dégagez la zone à couper avant chaque utilisation. Inspectez la haie pour vous assurer qu'elle ne comprend pas de corps étrangers, comme des parties de barrières en fil de fer.**

- **N'utilisez pas le taille-haie sur une échelle, sur un toit, sur un arbre ou sur tout autre support instable.** Une assise stable sur une surface solide permet un meilleur contrôle du taille-haie dans des situations inattendues.
- **Ne faites rien qui risquerait de vous faire perdre l'équilibre. Veillez à toujours garder un bon équilibre et un appui stable. Il faut faire particulièrement attention quand le sol est glissant (sol mouillé, neige) et sur un terrain difficile, avec de la végétation touffue. Gardez l'œil sur des obstacles possibles pouvant être dissimulés, tels que des souches d'arbres, des racines et de fossés, pour éviter les branches tombées, les broussailles et divers débris végétaux. Faites extrêmement attention lorsque vous travaillez sur des pentes ou des terrains inégaux.**
- **Observez les lames à tout moment pendant la coupe – Ne coupez pas des parties de la haie que vous ne pouvez pas voir. Lorsque vous coupez le sommet d'une haie très haute, regardez souvent de l'autre côté pour vous assurer qu'il n'y a personne, et qu'il n'y a pas d'obstructions ou d'animaux derrière la haie.**
- **Ne touchez pas les lames ou les bords de coupe exposés lorsque vous ramassez ou tenez le taille-haie.**
- **Sur les machines ayant une position de transport définie (la lame de coupe étant pliée à plat contre l'arbre du taille-haie) : Ne démarrez jamais la machine dans la position de transport, car les lames ne sont pas engagées dans cette position, et vous ne pouvez donc pas vérifier visuellement qu'elles seront arrêtées au ralenti lorsque vous commencerez à régler la lame de coupe sur la position de coupe souhaitée (lorsque les lames sont engagées).**
- **Inspectez toutes les pièces pouvant être endommagées avant de continuer à utiliser le taille-haie. Inspectez soigneusement tout composant pouvant être endommagé pour vous assurer qu'il fonctionnera toujours correctement et en remplissant la fonction prévue. Vérifiez que les pièces mobiles sont correctement alignées, qu'elles ne se coincent pas et qu'elles sont bien assujetties, et remédiez à tous autres problèmes qui risqueraient d'affecter le fonctionnement de l'outil. Un composant endommagé doit être réparé de façon appropriée ou remplacé par un centre de service après-vente agréé, sauf indication contraire par ailleurs dans ce mode d'emploi.**
- **Vérifiez fréquemment les boulons de montage de la lame et du moteur pour vous assurer qu'ils sont bien serrés. Inspectez aussi visuellement la lame pour vous assurer qu'elle n'est pas endommagée (p. ex., tordue, fissurée ou usée). Ne remplacez la lame que par une lame d'EGO™.**

- **Remplacez la lame si elle est tordue ou fissurée. Une lame déséquilibrée cause des vibrations qui pourraient endommager le système d'entraînement du moteur ou causer des blessures.**
- **Si l'équipement commence à vibrer de façon anormale, arrêtez immédiatement l'outil et recherchez la cause du problème. Des vibrations sont généralement un signe avant-coureur d'un problème.**
- **Ne laissez jamais des enfants utiliser le taille-haie.**
- Le taille-haie ne doit être utilisé que pour couper des tiges de moins de 26 mm / 1 po d'épaisseur.
- N'utilisez le taille-haie que pendant la journée, ou avec un bon éclairage artificiel.
- Suivez les instructions pour lubrifier et aiguiser votre outil.
- Gardez les poignées propres, sèches et exemptes de toute trace d'huile ou de graisse.

CONSERVEZ CES INSTRUCTIONS !

REMARQUE : VEUILLEZ CONSULTER LE MODE D'EMPLOI DE VOTRE COLONNETTE DE SERVICE TÉLESCOPIQUE POUR PRENDRE CONNAISSANCE DE RÈGLES SPÉCIFIQUES ADDITIONNELLES RELATIVES À LA SÉCURITÉ.

INTRODUCTION

Félicitations pour votre sélection de l'ATTACHEMENT DE TAILLE-HAIE EGO. Il a été conçu, développé et fabriqué pour vous donner le plus possible de fiabilité et de rendement.

Si vous éprouvez un problème que vous n'arrivez pas à régler facilement, veuillez communiquer avec le centre de service à la clientèle d'EGO au 1 855 EGO 5656.

Ce mode d'emploi contient des informations importantes sur l'assemblage, le fonctionnement et la maintenance de votre produit en toute sécurité. Lisez-le attentivement avant de commencer à utiliser le produit. Gardez ce mode d'emploi à portée de la main pour que vous puissiez le consulter à tout moment.

NUMÉRO DE SÉRIE _____ DATE D'ACHAT _____
NOUS VOUS RECOMMANDONS DE NOTER LE NUMÉRO DE SÉRIE ET LA DATE D'ACHAT ET DE
LES CONSERVER EN LIEU SÛR AFIN DE POUVOIR LES CONSULTER ULTÉRIEUREMENT.

SPÉCIFICATIONS

Longueur de la lame	510 mm / 20 po
Capacité de coupe	26mm / 1 po
Température de fonctionnement recommandée	0-40° C / 32-104° F
Température de stockage recommandée	-20-70° C / -4-158° F *Pour l'appareil électrique SANS le bloc-piles
Poids	2,67 kg (5,89 lb)

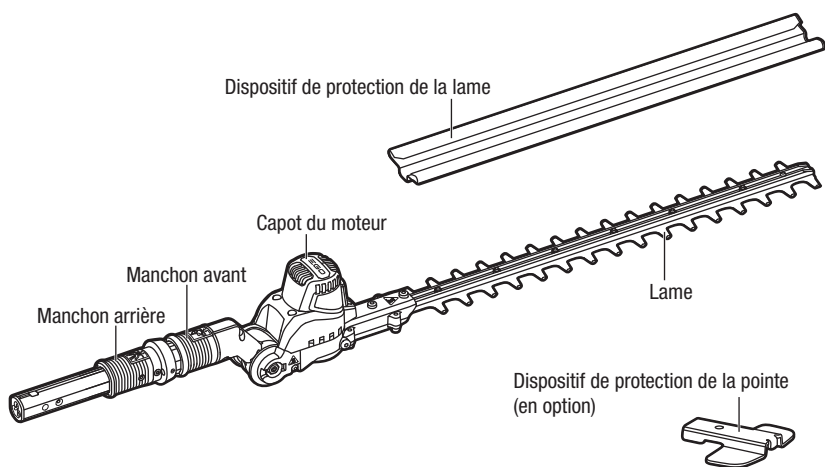
LISTE DES PIÈCES

NOM DE LA PIÈCE	QUANTITÉ
Attachement de taille-haie	1
Dispositif de protection de la lame	1
Mode d'emploi	1

DESCRIPTION

FAMILIARISEZ-VOUS AVEC VOTRE ATTACHEMENT DE TAILLE-HAIE (Fig. 1)

Pour que ce produit puisse être utilisé en toute sécurité, il est nécessaire de comprendre les informations figurant sur l'outil et dans son mode d'emploi, et de bien maîtriser le projet que vous voulez réaliser. Avant d'utiliser ce produit, familiarisez-vous avec toutes ses fonctionnalités et les consignes de sécurité qui s'y appliquent.

1

Manchon avant

Tirez-le vers l'arrière et maintenez-le en place pour déverrouiller le réglage de l'angle d'élévation.

Manchon arrière

Tirez-le vers l'arrière et maintenez-le en place pour déverrouiller le réglage de l'angle latéral.

Dispositif de protection de la pointe (en option)

Protège la pointe extérieure de la lame. En cas de besoin, veuillez contacter le centre de service clientèle d'EGO en téléphonant au 1-855-EGO-5656.

LAME

Lames en acier taillé au laser des deux côtés pour couper des haies et des arbustes.

DISPOSITIF DE PROTECTION DE LA LAME

Dispositifs de protection protégeant contre tout contact avec les lames tranchantes lorsque l'outil n'est pas en train de fonctionner. Protège les lames contre les risques d'endommagement lorsque l'outil est en train d'être transporté ou quand il est rangé.

ASSEMBLAGE

⚠ AVERTISSEMENT : Si certaines pièces sont endommagées ou manquantes, n'utilisez pas ce produit avant que ces pièces aient été remplacées. L'utilisation de ce produit avec des pièces endommagées ou manquantes pourrait causer des blessures graves.

⚠ AVERTISSEMENT : Ne tentez pas de modifier ce produit ou de créer des accessoires qu'il n'est pas recommandé d'utiliser avec ce produit. Une telle altération ou modification constituerait une utilisation abusive et pourrait créer une situation dangereuse avec risque de blessures graves.

DÉBALLAGE

- Inspectez attentivement l'outil pour vous assurer qu'aucun dommage ou bris de pièce(s) ne s'est produit pendant le transport.
- Ne jetez pas les matériaux d'emballage avant d'avoir inspecté attentivement l'outil et de l'avoir mis en marche de façon satisfaisante.
- Si une pièce quelconque est endommagée ou manquante, veuillez rapporter le produit dans le magasin où vous l'avez acheté.

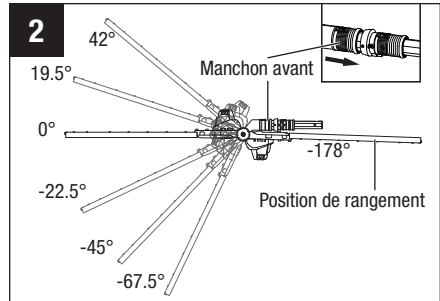
RÉGLAGE DU TAILLE-HAIE

Lorsque l'attachement de taille-haie est sorti de son conditionnement, il est plié dans sa position de stockage (Fig. 2). L'angle d'élévation et l'angle latéral de sa lame peuvent être ajustés indépendamment l'un de l'autre. Ajustez la lame pour la mettre dans une position de travail appropriée avant de commencer à vous en servir.

Réglage de l'angle d'élévation

En dehors de la position de rangement, il y a six positions de travail possibles pour l'angle d'élévation. La lame peut être réglée sur n'importe quelle position entre $-67,5^\circ$ et $+42^\circ$ (Fig. 2).

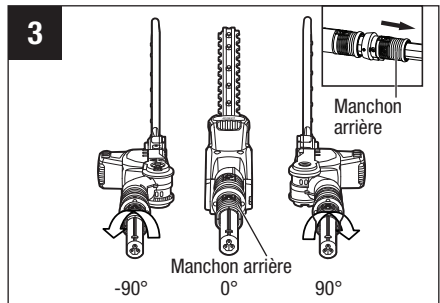
1. Tirez sur le manchon avant, puis tenez le capot du moteur pour faire tourner la lame afin de la mettre dans la position de coupe désirée.
2. Une fois que la position désirée aura été atteinte, relâchez le manchon. Si le manchon rebondit dans sa position d'origine, cela indique que la lame a été verrouillée dans la position de travail sélectionnée.



Réglage de l'angle latéral

Il y a deux positions latérales de travail possibles (Fig. 3). La lame peut être réglée à 90° vers la gauche ou vers la droite.

1. Tirez sur le manchon arrière, puis tenez le capot du moteur pour faire tourner la lame afin de la mettre dans la position de coupe désirée.
2. Une fois que la position désirée aura été atteinte, relâchez le manchon. Si le manchon rebondit dans sa position d'origine, cela indique que la lame a été verrouillée dans la position de travail sélectionnée.



⚠ AVERTISSEMENT ! Pour réduire le risque de blessure, retirez les piles avant d'effectuer de quelconques réglages, et ne faites de réglages que lorsque les lames sont complètement immobiles. Ne touchez jamais les lames pendant que vous êtes en train de faire des réglages.

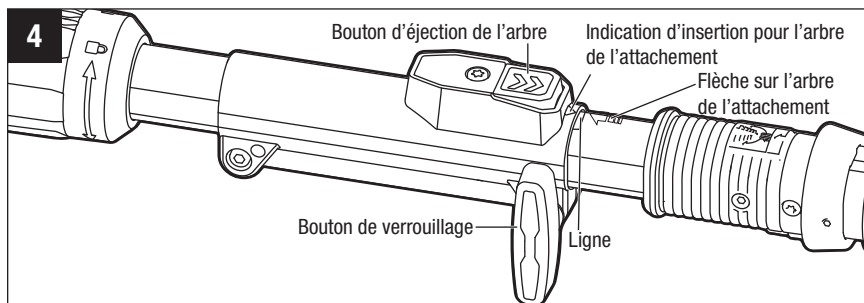
RACCORDEMENT DE L'ATTACHEMENT DU TAILLE-HAIE À LA COLONNETTE DE SERVICE TÉLESCOPIQUE

Cet attachement de taille-haie est conçu pour emploi avec une colonnette de service télescopique EGO PPX1000//PPX1000-FC.

L'attachement du taille-haie est connecté à la colonnette de service télescopique au moyen d'un dispositif de couplage.

1. Mettez l'outil hors tension et retirez-en le bloc-piles.
2. Desserrez le bouton de verrouillage.
3. Alignez la flèche sur l'arbre de taille-haie sur l'indication d'insertion du coupleur et poussez l'attachement du taille-haie dans le coupleur jusqu'à ce que vous entendiez clairement un déclic. L'arbre du taille-haie doit être positionné en étant enfoncé jusqu'à la LIGNE sur l'arbre qui indique que l'attachement du taille-haie est dans la bonne position (Fig. 4).
4. Tirez sur l'arbre de l'attachement du taille-haie pour vérifier qu'il est verrouillé dans le coupleur de façon sécurisée. Si ce n'est pas le cas, poussez l'arbre de l'attachement dans le coupleur jusqu'à ce qu'il s'enclenche en place.
5. Serrez à fond le bouton de verrouillage.

⚠ AVERTISSEMENT : Pour éviter tout risque de blessure grave, assurez-vous que le bouton de verrouillage est serré à fond avant de commencer à vous servir de l'outil. Vérifiez-le périodiquement pour vous assurer qu'il reste bien serré pendant l'emploi.

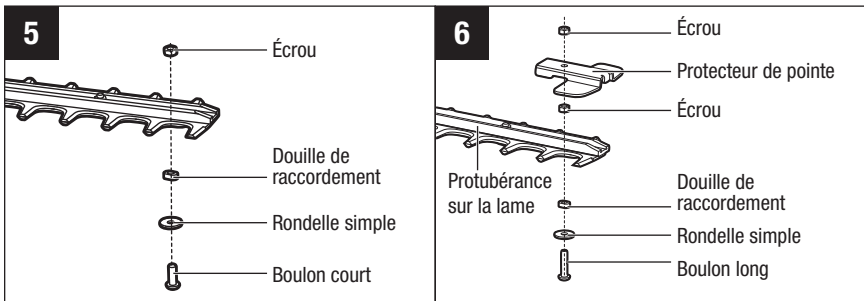


DÉTACHEMENT DE L'ATTACHEMENT DE LA COLONNETTE DE SERVICE TÉLESCOPIQUE

1. Mettez l'outil hors tension et retirez-en le bloc-piles.
2. Desserrez le bouton de verrouillage.
3. Appuyez sur le bouton d'éjection de l'arbre et, tout en maintenant le bouton enfoncé, tirez sur l'attacheement du taille-haie pour le faire sortir du coupleur afin de le détacher de la colonnette de service télescopique.

MONTAGE DU PROTECTEUR DE POINTE (Disponible séparément)

1. Utilisez une clé hexagonale (non incluse) pour retirer le boulon court, la rondelle simple, la douille de raccordement et l'écrou à l'extrémité de la lame (Fig. 5). Conservez la rondelle simple, la douille de raccordement et l'écrou en vue du remontage.
2. Alignez le protecteur de pointe sur la protubérance de la lame et montez-le en place. Sécurisez-le avec le nouveau boulon long et l'écrou ainsi qu'avec la rondelle, la douille de raccordement et l'écrou que vous avez démontés précédemment (Fig. 6).



FONCTIONNEMENT

⚠ DANGER : Ne coupez jamais à proximité de lignes électriques, de cordons d'alimentation ou d'autres sources d'électricité. Si la lame se coince sur un fil ou un cordon électrique, **NE TOUCHEZ PAS LA LAME OU LA RALLONGE EN ALUMINIUM ! ELLES POURRAIENT ÊTRE CONDUCTRICES D'ÉLECTRICITÉ, ET CECI POURRAIT CRÉER UNE SITUATION TRÈS DANGEREUSE.** Continuez à tenir l'attachement de taille-haie par sa poignée isolée, ou posez-le sur le sol aussi loin de vous que possible en prenant toutes les précautions appropriées. Déconnectez l'alimentation électrique du fil ou du cordon endommagé avant de tenter de détacher la lame du fil ou du cordon. Tout contact avec la lame, d'autres parties conductrices de l'attachement du taille-haie ou des lignes électriques ou cordons d'alimentation sous tension causera la mort par électrocution ou une blessure grave.

⚠ AVERTISSEMENT : Ne laissez pas l'habitude de l'utilisation de ce produit vous empêcher de prendre toutes les précautions requises. N'oubliez jamais qu'une fraction de seconde d'inattention suffit pour entraîner de graves blessures.

⚠ AVERTISSEMENT : Portez toujours une protection des yeux pour vous conformer à la norme ANSI Z87.1. Sinon, vous risqueriez d'être blessé(e) par la protection d'objets dans vos yeux, ou de subir d'autres blessures graves possibles.

⚠ AVERTISSEMENT : Pour éviter tout risque de blessure grave, retirez le bloc-piles de l'outil avant de le réparer, de le nettoyer, de changer des attachements ou de retirer des déchets de l'outil.

Avant chaque utilisation, inspectez périodiquement l'intégralité du produit pour vous assurer qu'il n'y a pas de pièces endommagées, manquantes ou desserrées comme des vis, des écrous, des boulons, des capuchons, etc. Serrez à fond tous les dispositifs de fixation, et ne vous servez pas de ce produit avant que toutes les pièces manquantes ou endommagées aient été remplacées.

APPLICATIONS

Vous pouvez utiliser ce produit pour élaguer les haies, les arbustes, les buissons et des plantes et matériaux similaires dont le diamètre des branches est inférieur à 26 mm / 1 po.

UTILISATION DU TAILLE-HAIE AVEC LA COLONNETTE DE SERVICE TÉLESCOPIQUE

⚠ AVERTISSEMENT : Habillez-vous de façon appropriée pour réduire le risque de blessure lorsque vous utilisez cet outil. Ne portez pas de bijoux ou de vêtements amples. Portez des lunettes de sécurité et, des protège-oreilles ou un autre équipement de protection de l'ouïe. Portez Des pantalons longs et épais, des bottes et des gants. Ne portez pas de shorts ou de sandales, et n'utilisez pas cet outil en étant pieds nus.

PRÉPARATION POUR LA COUPE

Référez-vous à la section intitulée « INSTRUCTIONS RELATIVES À LA SÉCURITÉ » ci-dessus dans ce mode d'emploi pour apprendre quels équipements de sécurité sont appropriés.

1. Ajustez la lame de coupe pour la mettre dans la position de travail désirée.
2. Retirez le dispositif de protection de la lame de la lame.

TECHNIQUES DE TRAVAIL

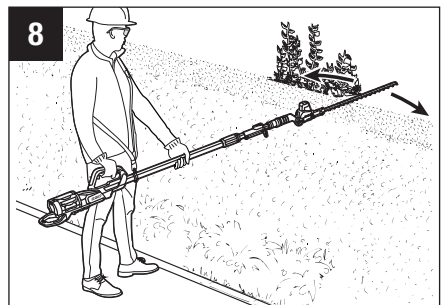
Coupe horizontale (avec la tête de coupe à un angle)

Coupez près du sol tout en vous tenant debout, p. ex., pour élaguer des arbustes assez bas. Faites des mouvements de balancier vers la droite et vers la gauche en vous déplaçant le long de la haie – utilisez les deux côtés des lames et ne reposez pas la lame de coupe sur le sol (Fig. 7).



Coupe horizontale (avec la tête de coupe orientée tout droit)

Tenez la lame à un angle de 0° tout en effectuant un lent mouvement de balancier horizontalement avec le taille-haie. Dirigez la lame vers les bords extérieurs de la haie en faisant un arc de telle sorte que les parties coupées des plantes soient balayées vers le sol (Fig. 8).

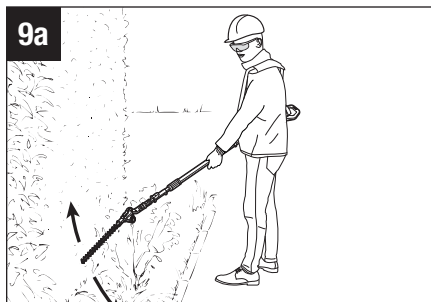


Recommandation : Coupez les haies dont la hauteur n'est pas supérieure à la poitrine en utilisant cette position de travail.

Coupe verticale (avec la tête de coupe à un angle)

Coupez sans vous tenir debout juste à côté de la haie, p. ex., quand il y a un parterre de fleurs entre l'opérateur et la haie.

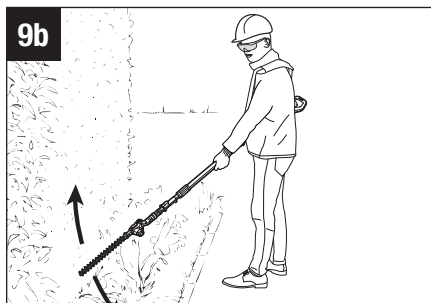
Dans cette position de coupe, pour que vous puissiez mieux contrôler le taille-haie, il est recommandé de connecter le taille-haie avec la tête de coupe dans la position de coupe latérale.



Balancer la tête de coupe vers le haut et vers le bas en faisant un arc tout en vous déplaçant le long de la haie – utilisez les deux côtés de la lame de coupe (Fig. 9a).

Coupe verticale (avec la tête de coupe orientée tout droit)

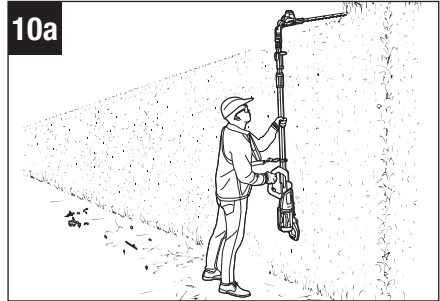
Portée extra-longue sans avoir besoin d'autres dispositifs d'assistance. Balancer la tête de coupe vers le haut et vers le bas en faisant un arc tout en vous déplaçant le long de la haie – utilisez les deux côtés de la lame de coupe (Fig. 9b).



Coupe surélevée (avec la lame à un angle)

Tenez le taille-haie verticalement, et balancez-le lentement en faisant un arc de façon à utiliser au maximum sa portée (Fig. 10a & 10b). Pour les haies extrêmement hautes, la rallonge est appropriée pour aider à tailler.

⚠ AVERTISSEMENT : Toute position de travail en liaison avec des coupes surélevées est fatigante. Pour minimiser le risque d'accident, ne travaillez dans de telles positions que pendant de courtes périodes. Réglez l'angle de la lame sur son maximum de telle sorte que l'outil puisse être tenu dans une position plus basse et moins fatigante tout en fournissant quand même une portée adéquate.



DÉMARRAGE / ARRÊT DE L'OUTIL

Voir la section intitulée « **DÉMARRAGE / ARRÊT DE LA COLONNETTE DE SERVICE TÉLESCOPIQUE** » dans le mode d'emploi de la colonnette de service télescopique PPX1000/PPX1000-FC.

MAINTENANCE

⚠ AVERTISSEMENT : Lors de toute réparation, n'utilisez que des pièces de rechange EGO authentiques. L'utilisation de toutes autres pièces de rechange pourrait créer un danger ou endommager le produit. Pour assurer la sécurité et la fiabilité, toutes les réparations doivent être effectuées par un technicien de service qualifié.

⚠ AVERTISSEMENT : Pour éviter des blessures graves, retirez toujours le bloc-piles de la colonnette de service télescopique lorsque vous l'inspectez ou la nettoyez, ou quand vous effectuez des travaux de maintenance ou changez des attachements.

MAINTENANCE GÉNÉRALE

Évitez d'utiliser des solvants lorsque vous nettoyez des pièces en plastique. La plupart des plastiques sont susceptibles d'être endommagés par divers types de solvants commerciaux, et ils pourraient l'être si vous les utilisez. Utilisez des chiffons propres pour retirer les saletés, la poussière, l'huile, la graisse, etc.

⚠ AVERTISSEMENT : Lorsque vous nettoyez l'attachement de taille-haie, ne l'immergez PAS dans de l'eau ou d'autres liquides.

NETTOYAGE

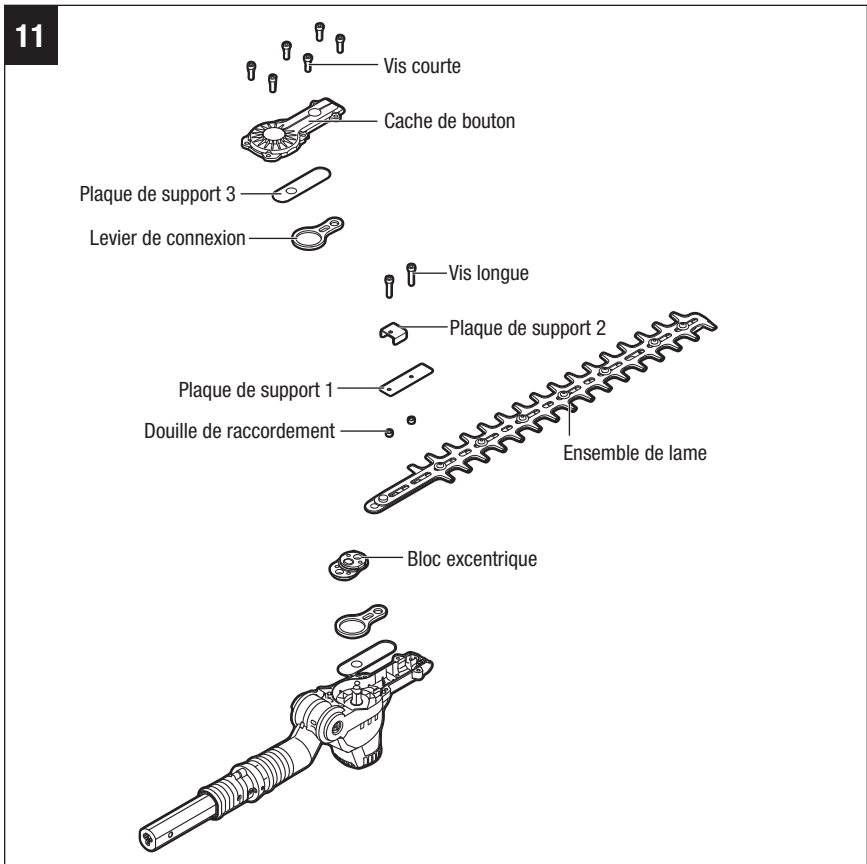
- Utilisez une brosse souple pour retirer les débris de tous les événements d'aération et de toutes les lames de coupe.
- Pour retirer de la poix et d'autres résidus collants, vaporisez du solvant à la résine sur les lames. Mettez le moteur en marche pendant quelques instants pour que le solvant soit réparti de manière uniforme.
- N'utilisez pas de détergents trop forts sur le logement en plastique ou sur la poignée. Ils pourraient être endommagés par certaines huiles aromatiques, comme le pin et le citron, et par des solvants tels que le kérosène. L'humidité peut également causer un risque de choc. Essuyez toute humidité avec un chiffon doux et sec. N'utilisez JAMAIS d'eau pour nettoyer l'outil.

Toutes les opérations d'entretien du taille-haie, à l'exception de celles qui sont mentionnées dans ces instructions de maintenance, doivent être effectuées par des techniciens qualifiés pour la réparation d'un taille-haie.

REPLACEMENT DE LA LAME

⚠ AVERTISSEMENT : Portez toujours des gants lorsque vous manipulez la lame ; ces composants sont très tranchants et peuvent avoir des bavures ou d'autres irrégularités.

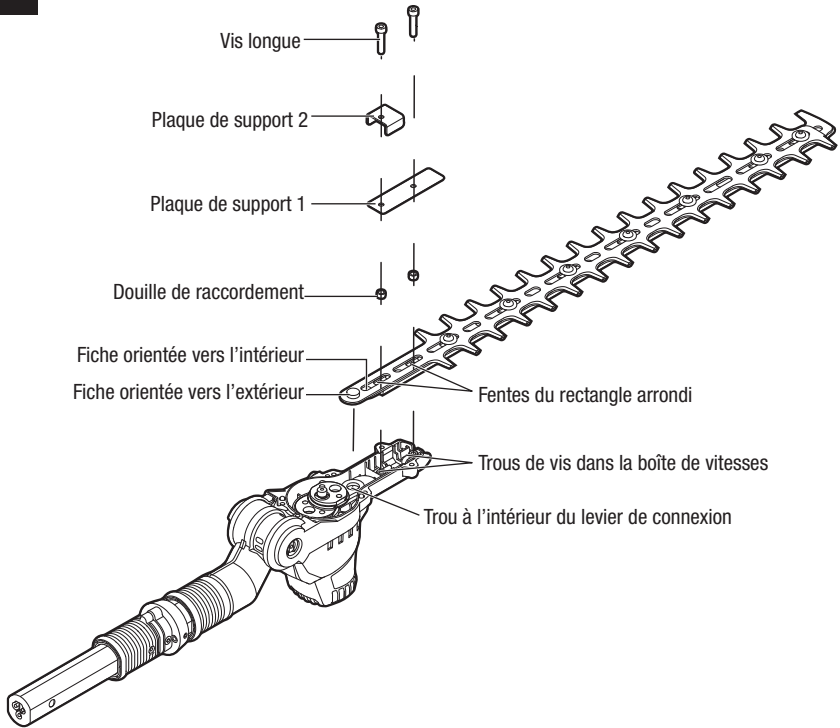
1. Mettez l'outil hors tension et retirez-en le bloc-piles.
2. Réglez la lame dans la position horizontale en vous assurant que l'ensemble de lame est aligné sur l'arbre du taille-haie pour permettre un montage facile (Fig. 11).



3. Utilisez une clé hexagonale (non incluse) pour desserrer les six vis (vis courtes) du dessous du cache du bas, puis détachez-les.
4. Continuez à desserrer les deux vis (vis longues) pour retirer les plaques de support 1 & 2, ainsi que les deux douilles de raccordement. Les deux douilles de raccordement sont situées à des endroits distincts l'intérieur des deux fentes rectangulaires dans l'ensemble de lame.
5. Retirez la plaque de support 3.
6. Détachez soigneusement le levier de connexion de la lame.
7. Retirez l'ensemble de lame de l'outil et assurez-vous que la position de l'ensemble de bloc excentrique n'a pas changé.
8. Alignez la protubérance orientée vers l'intérieur du nouvel ensemble de lame sur le trou à l'intérieur du levier de connexion pour installer le nouvel ensemble de lame à sa place.
9. Insérez les deux douilles de raccordement séparément dans les deux rectangles arrondis.
10. Montez la plaque de support 1, puis montez la plaque de support 2.

11. Maintenez les trous intérieurs dans la lame avec les douilles de raccordement et les trous dans les plaques de support alignés sur les trous des vis dans la boîte de vitesses. Installez les deux vis longues dans les trous alignés, et serrez-les de façon sécurisée (Fig. 12).

12

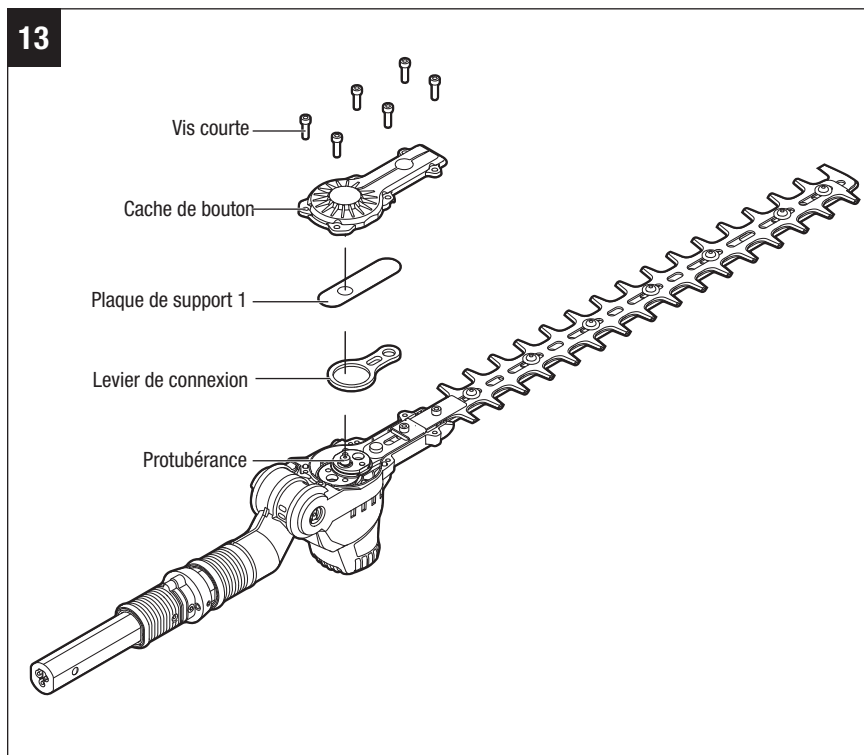


12. Déplacez légèrement la lame du haut en avant et en arrière pour vous assurer que la lame peut bouger librement. Si ce n'est pas le cas, remontez les lames de telle sorte que la lame du haut puisse bouger librement.

13. Installez le levier de connexion.

14. Alignez le trou de la plaque de support 3 sur la protubérance du bloc excentrique pour installer la plaque de support en place en vous assurant que la plaque est située exactement au centre, parallèle aux deux bords.

15. Montez le cache du bas sur la boîte de vitesses et sécurisez-le avec six vis courtes (Fig. 13).



16. Faites démarrer le taille-haie pour vous assurer qu'il peut fonctionner normalement. Si ce n'est pas le cas, recommencez le montage en suivant les étapes ci-dessus.

AFFÛTAGE PÉRIODIQUE DE LA LAME

Lorsque la performance de coupe et le comportement du taille-haie commencent à se détériorer, réaffûtez les lames.

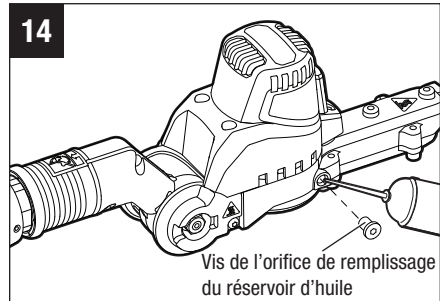
1. Détachez la tête du taille-haie de la colonnette de service.
2. Placez le taille-haie dans une position appropriée.
3. Pour une lame en acier standard, affûtez la lame avec une lime en métal standard.

AVIS : Ne vous servez pas de votre taille-haie si les lames de coupe sont émoussées ou endommagées. Ceci pourrait causer une surcharge, ce qui produirait des résultats de coupe non satisfaisants.

LUBRIFICATION DE LA LAME (Fig. 14)

Pour permettre le meilleur fonctionnement possible, ainsi que pour prolonger la durée de vie de la lame, lubrifiez la lame du taille-haie avec de l'huile pour machines avant et après chaque emploi.

NE REMPLISSEZ PAS COMPLÈTEMENT LE RÉSERVOIR AVEC L'HUILE.



1. Retirez la vis de l'orifice de remplissage du réservoir d'huile sur la boîte de vitesses avec une vis hexagonale (non incluse).
2. Injectez au maximum 5 g / 0,01 lb de graisse dans l'orifice de remplissage du réservoir d'huile.
3. Serrez la vis après l'injection.

LUBRIFICATION DE LA BOÎTE DE VITESSES

Pour assurer le meilleur fonctionnement possible et prolonger la durée de vie au maximum, lubrifiez la boîte de vitesse de l'attache de taille-haie avec une graisse spéciale au bout de 100 heures de fonctionnement.

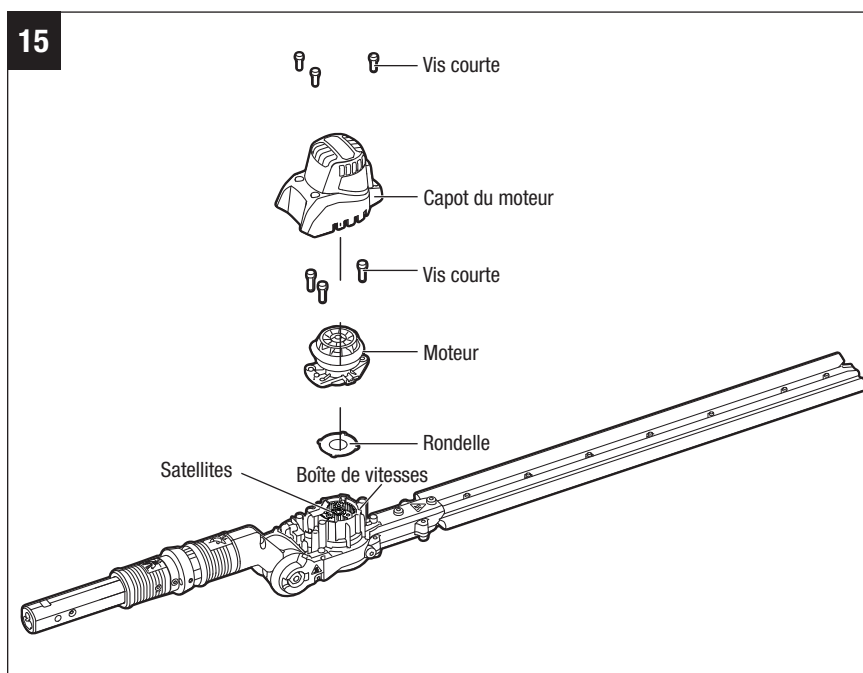
La graisse doit répondre aux exigences suivantes:

- Pénétration Grade NLGI : NLGI-2 ;

- Type d'épaisseur : polyurée ;
- Plage de températures de fonctionnement recommandée : --40° C à 180° C / -40° F à 356° F ;
- En dehors de ce qui précède, la graisse doit également être stable au cisaillement avec des caractéristiques de pression exceptionnelles, d'excellentes propriétés de résistance à l'usure et une stabilité parfaite à l'oxydation.

Suivez les étapes ci-dessous pour remplir de graisse :

1. Mettez l'outil hors tension et retirez-en le bloc-piles.
2. Utilisez une clé hexagonale (non incluse) pour desserrer et retirer trois vis courtes sur le cache du moteur, puis détachez le capot du moteur (Fig. 15).



REMARQUE : Après avoir retiré le cache du moteur, nettoyez la sciure accumulée autour du moteur.

3. Desserrez les trois vis courtes sur le moteur et détachez ensuite le moteur et la rondelle.
4. Utilisez un pistolet graisseur (non inclus) pour injecter 5 g / 0,01 lb de graisse au centre des trois satellites du haut dans la boîte de vitesses.

REMARQUE : Assurez-vous que la position des autres pièces près de la boîte de vitesses ne change pas pendant l'injection.

5. Remontez la rondelle et le moteur en serrant les trois vis courtes.
6. Remontez le capot du moteur en serrant les trois vis courtes.
7. Faites démarrer l'outil pour vous assurer qu'il peut fonctionner normalement. Si ce n'est pas le cas, recommencez le montage en suivant les étapes ci-dessus.

TRANSPORT ET RANGEMENT

- Détachez le bloc-piles de l'outil.
- Nettoyez soigneusement l'outil avant de le ranger.
- Placez le dispositif de protection de la lame sur la lame de coupe avant de le ranger ou de le transporter. Faites attention de ne pas toucher les dents tranchantes des lames. Pour économiser de la place, repliez l'attachement du taille-haie dans sa position de rangement (Fig. 2).
- Rangez l'équipement dans un endroit sec et bien aéré, verrouillé ou en hauteur, hors de portée des enfants. Ne rangez pas cet équipement sur des engrais, de l'essence ou d'autres produits chimiques, ou à proximité de ceux-ci.

RECHERCHE DE LA CAUSE DES PROBLÈMES

PROBLÈME	CAUSE	SOLUTION
Le taille-haie ne fonctionne pas.	<ul style="list-style-type: none"> ■ Il n'y a pas de contact électrique entre le taille-haie et le bloc-piles. ■ Les piles du bloc-piles sont déchargées. ■ Le bloc-piles ou la colonnette de service est trop chaude. ■ La lame est coincée. ■ Le taille-haie n'est pas bien connecté à la colonnette de service. 	<ul style="list-style-type: none"> ■ Retirez les piles, inspectez les contacts et réinstallez le bloc-piles. ■ Chargez le bloc-piles. ■ Attendez que le bloc-piles ou la colonnette de service ait refroidi suffisamment avant de remettre l'outil en marche. ■ Détachez le bloc-piles de l'outil. Retirez délicatement l'obstruction et réinsérez les piles, puis redémarrez l'outil. ■ Détachez le taille-haie de la colonnette de service. Reconnectez-les en suivant les instructions de la section intitulée « CONNEXION DE L'ATTACHEMENT DE TAILLE-HAIE À LA COLONNETTE DE SERVICE » dans ce mode d'emploi.
Vibrations ou bruit excessif.	<ul style="list-style-type: none"> ■ Les lames sont sèches ou corrodées. ■ Les lames ou le support des lames est tordu. ■ Les dents sont endommagées ou tordues. ■ Les boulons de fixation des lames ne sont pas assez serrés. 	<ul style="list-style-type: none"> ■ Lubrifiez les lames. ■ Remplacez par une nouvelle lame ou un nouveau support en suivant les instructions de la section intitulée « REMPLACEMENT DE LA LAME » dans ce mode d'emploi ou contactez un centre de service EGO en vue d'obtenir une pièce de rechange. ■ Remplacez par une nouvelle lame en suivant les instructions de la section intitulée « REMPLACEMENT DE LA LAME » dans ce mode d'emploi, ou contactez un centre de service EGO en vue d'obtenir une pièce de rechange. ■ Serrez les boulons de fixation de la lame. Utilisez une clé hexagonale (non incluse) pour tourner le boulon dans le sens des aiguilles d'une montre afin de le serrer.

GARANTIE

POLITIQUE D'EGO EN MATIÈRE DE GARANTIE

Garantie limitée de 5 ans sur les équipements d'alimentation électrique d'extérieur EGO POWER+ et les équipements d'alimentation électrique portable pour un usage personnel et domestique.

Garantie limitée de 3 ans sur les blocs-piles et chargeurs du système EGO POWER+ pour un usage personnel et domestique.

Garantie limitée de 2 ans/1 an sur les équipements d'alimentation électrique d'extérieur, les équipements d'alimentation électrique portables, les blocs-piles et les chargeurs EGO pour un usage professionnel et commercial.

La durée et les détails de la garantie de chaque produit sont indiqués en ligne à l'adresse <http://egopowerplus.com/pages/warranty-policy>.

Veillez communiquer avec le service à la clientèle d'EGO au 1 855 EGO-5656 (numéro sans frais) pour toute question sur les réclamations au titre de la garantie.

GARANTIE LIMITÉE

Les produits EGO sont garantis contre tout défaut de matériel ou de fabrication à compter de la date d'achat d'origine pour la période de garantie applicable. Les produits défectueux recevront une réparation gratuite.

- a) Cette garantie s'applique uniquement à l'acheteur initial s'étant procuré le produit chez un détaillant EGO autorisé et est non transférable. La liste des détaillants EGO autorisés est publiée en ligne sur le site <http://egopowerplus.com/pages/warranty-policy>.
- b) La période de garantie pour les produits remis en état ou certifiés par l'usine utilisés à des fins résidentielles est de 1 an, et de 90 jours lorsqu'ils sont utilisés à des fins industrielles, professionnelles ou commerciales.
- c) La période de garantie pour les pièces d'entretien régulier, y compris, sans s'y limiter, les lames, les têtes de taille-bordure, les guides-chaînes, les chaînes de scie, les courroies, les barres de raclage, les buses de souffleur, ainsi que tous les autres accessoires EGO, est de 90 jours lorsqu'elles sont utilisées à des fins résidentielles et de 30 jours lorsqu'elles sont utilisées à des fins industrielles, professionnelles ou commerciales. Ces pièces sont couvertes contre les défauts de fabrication pour une période de 90 jours ou de 30 jours si elles sont utilisées dans des conditions de travail normales.

- d) La présente garantie n'est pas valide si le produit a été utilisé aux fins de location.
- e) La présente garantie ne couvre pas les dommages résultant d'une modification, d'une altération ou d'une réparation non autorisée.
- f) Cette garantie couvre uniquement les défauts survenant dans des conditions normales d'utilisation et ne couvre aucun dysfonctionnement ou défaut ni aucune défaillance découlant d'un usage inapproprié ou abusif (notamment la surcharge du produit et son immersion dans l'eau ou dans tout autre liquide), d'un accident, d'une négligence, d'une installation inadéquate et de tout entretien ou entreposage inadéquat.
- g) La présente garantie ne couvre pas la détérioration normale du fini extérieur, notamment les rayures, les bosselures, les craquelures de la peinture ou toute corrosion ou décoloration résultant de la chaleur, de produits abrasifs ou de nettoyeurs chimiques.

RÉCLAMATION AU TITRE DE LA GARANTIE

Pour faire une réclamation au titre de la garantie, veuillez communiquer avec le service à la clientèle d'EGO au **1 855 EGO-5656** (numéro sans frais). Lorsque vous faites une réclamation au titre de la garantie, vous devez présenter le reçu de vente original. Un centre de service autorisé sera sélectionné pour la réparation du produit conformément aux conditions de garantie prescrites. Il se peut qu'un petit dépôt soit exigé lorsque vous laissez votre outil dans un centre de service autorisé. Ce dépôt est remboursable lorsque le service de réparation est considéré comme étant couvert par la garantie.

RESTRICTIONS SUPPLÉMENTAIRES

Dans la mesure permise par la loi en vigueur, toutes les garanties implicites, y compris les garanties de QUALITÉ MARCHANDE ou D'ADÉQUATION À UN USAGE PARTICULIER, sont exclues. Toute garantie implicite, y compris la garantie de qualité marchande ou d'adéquation à un usage particulier, qui ne peut être rejetée en vertu de la loi de l'État ou de la province est limitée à la période de garantie applicable définie au début de cet article.

Chervon North America n'est pas responsable des dommages accessoires, consécutifs, indirects ou directs.

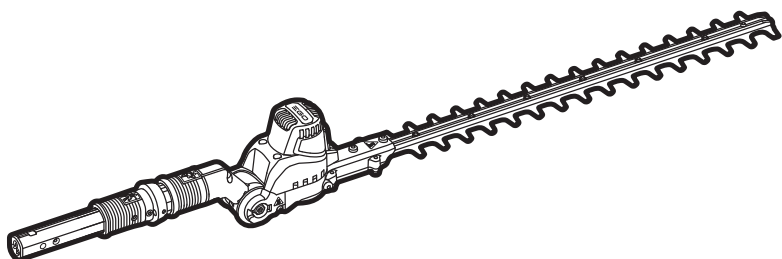
Certaines provinces n'autorisent pas les restrictions de durée de garantie implicite, ou l'exclusion ou la restriction des dommages consécutifs et accessoires; c'est pourquoi les restrictions ci-dessus peuvent ne pas s'appliquer à votre cas.

Cette garantie vous confère des droits précis. Il est possible que vous disposiez également d'autres droits, qui varient d'une province à l'autre.

Pour communiquer avec le service à la clientèle, veuillez composer le numéro sans frais suivant : **1 855 EGO-5656** ou consulter le site Web **EGOPOWERPLUS.COM**.

EGO Customer Service, 769 SEWARD AVE NW / Suite 102 Grand Rapids, MI 49504, États-Unis.

EGO™



EXCLUSIVAMENTE PARA UTILIZARSE CON
LA PÉRTIGA ELÉCTRICA TELESCÓPICA
PPX1000/PPX1000-FC

MANUAL DEL USUARIO

ADITAMENTO DE ORILLADORA DE ARBUSTOS

MODEL NUMBER PTX5100/PTX5100-FC

⚠ ADVERTENCIA: Para reducir el riesgo de lesiones, el usuario debe leer y comprender el Manual del usuario antes de usar este producto. Guarde estas instrucciones para consultarlas en el futuro.

ÍNDICE

Símbolos de seguridad	66
Instrucciones de seguridad	67-72
Introducción	73
Especificaciones	73
Lista de empaquetamiento	73
Descripción	74-75
Ensamblaje	76-79
Utilización	80-83
Mantenimiento	84-91
Resolución de problemas	92
Garantía	93-94

¡LEA TODAS LAS INSTRUCCIONES!



LEA Y ENTIENDA EL
MANUAL DEL OPERADOR

⚠ ADVERTENCIA: Cierta polvo generado por las operaciones de lijado, aserrado, amolado y taladrado con herramientas eléctricas, así como por otras actividades de construcción, contiene sustancias químicas que el estado de California sabe que causan cáncer, defectos de nacimiento u otros daños sobre la reproducción. Algunos ejemplos de estas sustancias químicas son:

- Plomo procedente de pinturas a base de plomo
- Sílice cristalina procedente de ladrillos y cemento y otros productos de mampostería, y
- Arsénico y cromo procedentes de madera de construcción tratada químicamente.

El riesgo para usted por causa de estas exposiciones varía, dependiendo de qué tan a menudo realice este tipo de trabajo. Para reducir su exposición a estas sustancias químicas: trabaje en un área bien ventilada y trabaje con equipo de seguridad aprobado, tal como máscaras antipolvo que estén diseñadas especialmente para impedir mediante filtración el paso de partículas microscópicas.

SÍMBOLOS DE SEGURIDAD

La finalidad de los símbolos de seguridad es atraer la atención del usuario hacia posibles peligros. Los símbolos de seguridad y las explicaciones que los acompañan merecen que usted preste una atención detenida y logre una comprensión profunda. Las advertencias con símbolo no eliminan por sí mismas ningún peligro. Las instrucciones y las advertencias que dan no son sustitutos de las medidas adecuadas de prevención de accidentes.

⚠ ADVERTENCIA: Asegúrese de leer y entender todas las instrucciones de seguridad incluidas en este manual del operador, incluyendo todos los símbolos de alerta de seguridad, tales como “**PELIGRO**”, “**ADVERTENCIA**” y “**PRECAUCIÓN**”, antes de utilizar esta herramienta. Si no se siguen todas las instrucciones que se indican a continuación, es posible que el resultado sea descargas eléctricas, incendio y/o lesiones corporales graves.

SIGNIFICADO DE LOS SÍMBOLOS

⚠ SÍMBOLO DE ALERTA DE SEGURIDAD: Indica **PELIGRO**, **ADVERTENCIA** O **PRECAUCIÓN**. Se puede utilizar en combinación con otros símbolos o pictogramas.



⚠ ADVERTENCIA: La utilización de cualquier herramienta eléctrica puede hacer que se lancen objetos extraños hacia los ojos del operador, lo cual puede causar daños oculares graves. Antes de comenzar a utilizar una herramienta eléctrica, póngase siempre anteojos de seguridad o gafas de seguridad con escudos laterales y una careta completa cuando sea necesario. Recomendamos una máscara de seguridad de visión amplia para utilizarla sobre gafas o anteojos de seguridad estándar con escudos laterales. Utilice siempre protección ocular que esté marcada para cumplir con la norma ANSI Z87.1.

INSTRUCCIONES DE SEGURIDAD

Esta página muestra y describe los símbolos de seguridad que es posible que aparezcan en este producto. Lea, entienda y siga todas las instrucciones que se encuentran en la máquina antes de intentar ensamblarla y utilizarla.

	<p>Alerta de seguridad</p>	<p>Indica un peligro potencial de lesiones corporales.</p>
	<p>Lea y entienda el manual del operador</p>	<p>Para reducir el riesgo de lesiones, el usuario debe leer y entender el manual del operador antes de utilizar este producto.</p>
	<p>Peligro: Mantenga las manos alejadas de las hojas</p>	<p>El contacto con la hoja causará lesiones corporales graves.</p>
	<p>Use protección ocular</p>	<p>Use siempre anteojos de seguridad o gafas de seguridad con escudos laterales y una careta completa cuando utilice este producto.</p>
	<p>Use protección ocular y de la cabeza</p>	<p>Use siempre protección ocular y de la cabeza cuando utilice este producto.</p>
	<p>Mantenga suficiente distancia respecto a las líneas de energía eléctrica</p>	<p>Para prevenir la electrocución, no utilice la unidad a menos de 50 pies (15 m) de líneas de energía eléctrica elevadas. Es posible que el contacto con líneas de energía eléctrica o el uso cerca de las mismas cause lesiones graves o descargas eléctricas que tengan como resultado la muerte.</p>
	<p>Sello RBRC de ion Li</p>	<p>Designa el programa de reciclaje de baterías de ion Li</p>

IPX5	Grado de protección contra la penetración	Protección contra las salpicaduras de agua
V	Voltio	Tensión
mm	Milímetro	Longitud o tamaño
in.	Pulgada	Longitud o tamaño
kg	Kilogramo	Peso
lb.	Libra	Peso

⚠ ADVERTENCIAS DE SEGURIDAD PARA LA ORILLADORA DE ARBUSTOS

- **Mantenga todas las partes del cuerpo alejadas de la hoja. No retire material cortado ni agarre material que se vaya a cortar cuando las hojas se estén moviendo.** Las hojas continúan moviéndose después de poner el interruptor en la posición de apagado. Es posible que un momento de desatención mientras se esté utilizando la orilladora de arbustos cause lesiones corporales graves.
- **Transporte la orilladora de arbustos por el mango con la hoja detenida y teniendo cuidado de no accionar el interruptor de alimentación.** El transporte correcto de la orilladora de arbustos reducirá el riesgo de arranques accidentales y lesiones corporales resultantes causadas por las hojas.
- **Cuando transporte o almacene la orilladora de arbustos, ajuste siempre la cubierta de la hoja.** El manejo correcto de la orilladora de arbustos reducirá el riesgo de lesiones corporales causadas por las hojas.
- **Cuando libere material atorado o haga servicio de ajustes y reparaciones de la unidad, asegúrese de que todos los interruptores de alimentación estén en la posición de apagado y que el paquete de batería se haya retirado o desconectado.** Es posible que un accionamiento inesperado de la orilladora de arbustos mientras se esté liberando material atorado o haciendo servicio de ajustes y reparaciones cause lesiones corporales graves.
- **Agarre la orilladora de arbustos solo por las superficies de agarre con aislamiento, porque es posible que la hoja entre en contacto con cables ocultos.** Es posible que las hojas que entren en contacto con un cable con corriente hagan que las partes metálicas de la orilladora de arbustos que estén al descubierto tengan corriente, lo cual podría causar una descarga eléctrica al operador.


- **Mantenga todos los cables de alimentación y otros cables alejados del área de corte.** Es posible que haya cables de alimentación u otros cables ocultos en los arbustos o setos y dichos cables pueden ser cortados accidentalmente por la hoja.
- **No use la podadora de setos en condiciones climáticas adversas, especialmente cuando existe riesgo de rayos.** Esto reduce el riesgo de ser alcanzado por un rayo.

INSTRUCCIONES DE SEGURIDAD ADICIONALES PARA LA ORILLADORA DE ARBUSTOS EXTENDIDA

- **Para reducir el riesgo de electrocución, no utilice nunca la orilladora de arbustos de alcance extendido cerca de líneas de energía eléctrica.** Es posible que el contacto con líneas de energía eléctrica o el uso cerca de las mismas cause lesiones graves o descargas eléctricas que provoquen la muerte.
- **Use siempre las dos manos cuando utilice la orilladora de arbustos de alcance extendido.** Agarre la orilladora de arbustos de alcance extendido con las dos manos para evitar la pérdida de control.
- **Use siempre protección de la cabeza cuando utilice la orilladora de arbustos de alcance extendido por encima de la cabeza.** Los residuos que caigan pueden causar lesiones corporales graves.

ADVERTENCIAS ADICIONALES

- **No cargue el paquete de batería en la lluvia o en lugares mojados.**
- **El paquete de batería se debe retirar del aparato antes de desecharlo.**
- **La batería se desechará de manera segura.**
- **No deseche la batería en un fuego.** Es posible que las celdas exploten. Consulte los códigos locales para obtener posibles instrucciones especiales de eliminación.
- **No abra ni mutile la batería.** El electrolito liberado es corrosivo y es posible que cause daños en los ojos o la piel. Puede que sea tóxico si se traga.

 **¡PRECAUCIÓN!** El electrolito es un ácido sulfúrico diluido que es perjudicial para la piel y los ojos. Es conductor de la electricidad y corrosivo.

- **Tenga cuidado al manejar las baterías para no cortocircuitar la batería con materiales conductores, tales como anillos, pulseras y llaves.** Es posible que la batería o el conductor se sobrecaliente y cause quemaduras.

- **Las herramientas a batería no tienen que enchufarse en un tomacorriente; por lo tanto, siempre están en condiciones de funcionamiento.** Este atento a los posibles peligros, incluso cuando la herramienta no esté en funcionamiento. Tenga cuidado cuando realice mantenimiento o servicio de ajustes y reparaciones.
- **Retire el paquete de batería antes de realizar servicio de ajustes y reparaciones, efectuar limpieza o retirar material de la herramienta.**
- **Piezas de repuesto:** Cuando haga servicio de ajustes y reparaciones, utilice únicamente piezas de repuesto EGO idénticas. Es posible que el uso de cualquier otro accesorio o aditamento aumente el riesgo de lesiones.
- Utilice la unidad solo con los paquetes de batería y los cargadores que se indican a continuación:

PAQUETE DE BATERÍA	CARGADOR
BA1400, BA1400-FC, BA2800, BA2800-FC, BA4200, BA4200-FC, BA1400T, BA1400T-FC, BA2240T, BA2240T-FC, BA2800T, BA2800T-FC, BA4200T, BA4200T-FC, BA5600T, BA5600T-FC, BAX1501, BAX1501-FC	CH2100, CH2100-FC, CH5500, CH5500-FC, CH2800D, CH2800D-FC, CH7000, CH7000-FC, CHX5500, CHX5500-FC

⚠ ADVERTENCIA: No utilice la bandolera cuando la herramienta esté equipada con el paquete de batería BAX1501/BAX1501-FC. Si no se sigue esta advertencia, el resultado podría ser lesiones corporales graves.

- Utilice la unidad solo con la pértiga eléctrica telescópica de ion litio de 56 V PPX1000/PPX1000-FC.
- **No lave la unidad con una manguera; evite que entre agua en el motor y las conexiones eléctricas.**
- **Si se producen situaciones que no estén cubiertas en este manual, tenga cuidado y aplique un buen criterio. Contacte a Servicio al Cliente de EGO para obtener asistencia.**
- **Guarde estas instrucciones.** Consúltelas frecuentemente y úselas para instruir a otras personas que puedan utilizar esta herramienta. Si le presta esta herramienta a otra persona, préstele también estas instrucciones para evitar un uso incorrecto del producto y posibles lesiones.
- **Despeje el área que se vaya a cortar antes de cada uso. Revise el arbusto para comprobar si hay objetos extraños, p. ej., cercas de alambre.**

- **No utilice la herramienta subido a una escalera de mano, un tejado, un árbol u otro soporte inestable.** Un apoyo estable de los pies sobre una superficie sólida permite un mejor control de la orilladora de arbustos en situaciones inesperadas.
- **No intente alcanzar demasiado lejos. Mantenga un apoyo de los pies y un equilibrio adecuados en todo momento. Se debe tener cuidado especial en condiciones resbalosas (piso mojado, nieve) y en terreno difícil con crecimiento excesivo de vegetación. Esté atento a los obstáculos ocultos, tales como tocones de árbol, raíces y zanjas, para evitar ramas caídas, maleza y recortes. Sea extremadamente cauteloso cuando trabaje en pendientes o terreno desigual.**
- **Observe las hojas de corte en todo momento. No corte ningún área del arbusto que no pueda ver. Cuando corte la parte superior de un arbusto más alto, revise frecuentemente el otro lado del arbusto para comprobar si hay curiosos, animales y obstrucciones.**
- **No agarre las hojas de corte ni los bordes de corte que estén al descubierto cuando levante o sostenga la orilladora de arbustos.**
- **En las máquinas con una posición de transporte definida (hoja de corte plegada en posición plana contra el eje de la orilladora de arbustos): No arranque nunca la máquina en la posición de transporte, ya que las hojas no están activadas en esa posición y por lo tanto usted no puede comprobar visualmente si estarán detenidas sin moverse cuando comience a ajustar la hoja de corte en la posición de corte deseada (donde las hojas están activadas).**
- **Compruebe si hay piezas dañadas antes de seguir utilizando la orilladora de arbustos. Cualquier pieza que esté dañada se deberá comprobar cuidadosamente para determinar si funcionará correctamente y realizará su función prevista. Compruebe la alineación de las piezas móviles, si hay atoramiento de piezas móviles, si hay rotura de piezas, el montaje y cualquier otra situación que pueda afectar a su funcionamiento. Cualquier pieza que esté dañada deberá ser reparada o reemplazada adecuadamente por un centro de servicio autorizado, a menos que se indique otra cosa en otro lugar de este manual.**
- **Revise los pernos de montaje de la hoja y del motor a intervalos frecuentes para comprobar si están apretados correctamente. Además, inspeccione visualmente la hoja para determinar si está dañada (p. ej., doblada, agrietada y desgastada). Reemplace la hoja solo por una hoja de EGOTM.**

- Reemplace la hoja si está doblada o agrietada. Una hoja desequilibrada causa vibración que podría dañar la unidad de accionamiento del motor o causar lesiones corporales graves.
- Si el equipo comienza a vibrar anormalmente, apague la herramienta y realice una comprobación inmediata para determinar la causa. Generalmente, la vibración es una advertencia de problemas.
- No deje nunca que los niños utilicen la orilladora de arbustos.
- La orilladora se utilizará para cortar tallos de menos de 1 pulgada (26 mm) de grosor.
- Orille solo en luz diurna o en buena luz artificial.
- Siga las instrucciones de lubricación y afilado.
- Mantenga los mangos secos, limpios y libres de aceite y grasa.

¡GUARDE ESTAS INSTRUCCIONES!

NOTA: CONSULTE EL MANUAL DEL OPERADOR DE SU PÉRTIGA ELÉCTRICA TELESCÓPICA PARA OBTENER NORMAS DE SEGURIDAD ESPECÍFICAS ADICIONALES.

INTRODUCCIÓN

Felicitaciones por su selección del ADITAMENTO DE ORILLADORA DE ARBUSTOS EGO. Este aditamento ha sido diseñado, concebido y fabricado para ofrecerle a usted la mejor confiabilidad y el mejor rendimiento posibles.

En caso de que tuviera algún problema que no pudiera resolver fácilmente, póngase en contacto con el Centro de Servicio al Cliente de EGO al 1-855-EGO-5656.

Este manual contiene información importante para el ensamblaje, la operación y el mantenimiento seguro de su producto. Léalo atentamente antes de usar el producto. Mantenga este manual a mano para poder consultarlo en cualquier momento.

NÚMERO DE SERIE _____ FECHA DE COMPRA _____
DEBE ANOTAR EL NÚMERO DE SERIE Y LA FECHA DE COMPRA Y CONSERVARLOS EN UN LUGAR SEGURO PARA CONSULTARLOS EN EL FUTURO.

ESPECIFICACIONES

Longitud de la hoja	20 pulgadas (510 mm)
Capacidad de corte	1 pulgada (26 mm)
Temperatura de funcionamiento recomendada	32-104 °F (0-40 °C)
Temperatura de almacenamiento recomendada	-4-158 °F (-20-70 °C) *Para el aparato SIN paquete de batería
Peso	5,89 lb (2,67 kg)

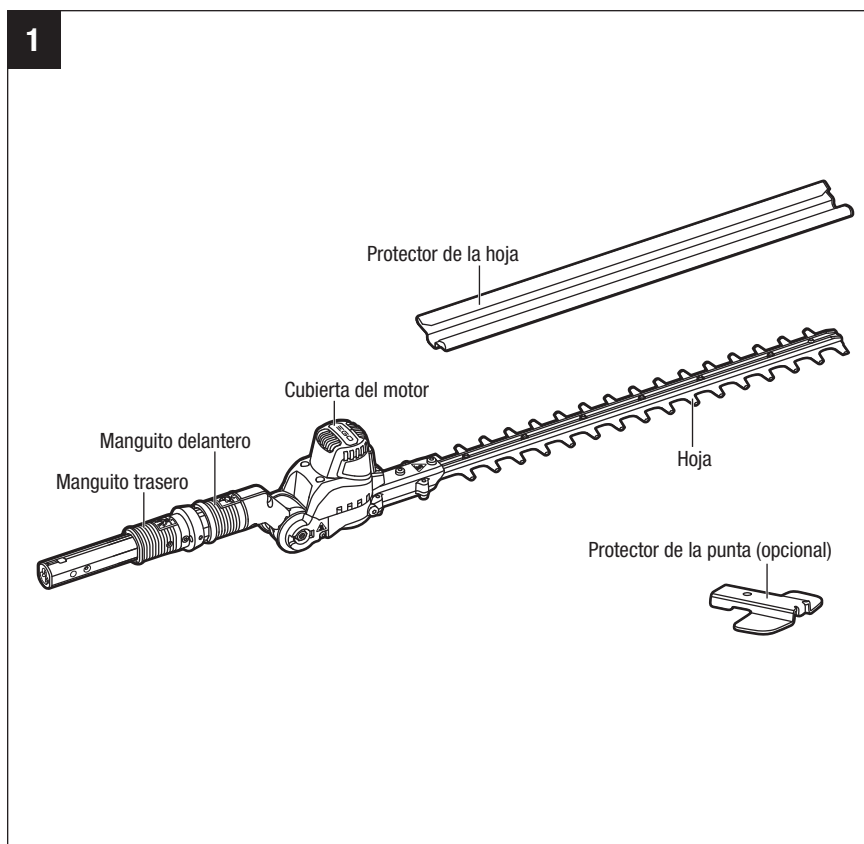
LISTA DE EMPAQUETAMIENTO

NOMBRE DE LA PIEZA	CANTIDAD
Aditamento de orilladora de arbustos	1
Protector de la hoja	1
Manual del operador	1

DESCRIPCIÓN

CONOZCA SU ADITAMENTO DE ORILLADORA DE ARBUSTOS (Fig. 1)

El uso seguro de este producto requiere entender la información que está en la herramienta y en este manual del operador, así como tener conocimiento del proyecto que se esté intentando realizar. Antes de utilizar este producto, familiarícese con todas las características de funcionamiento y todas las normas de seguridad.



Manguito delantero

Jálelo hacia atrás y manténgalo en esa posición para desbloquear el ajuste del ángulo de elevación.

Manguito trasero

Jálelo hacia atrás y manténgalo en esa posición para desbloquear el ajuste del ángulo lateral.

Protector de la punta (opcional)

Protege el extremo exterior de la hoja. Si se necesita uno, sírvase contactar al centro de servicio al cliente de EGO llamando al 1-855-EGO-5656.

HOJA

Hojas de acero de doble cara cortadas con láser para cortar setos y arbustos.

PROTECTOR DE LA HOJA

Salvaguarda contra el contacto con las hojas afiladas cuando la herramienta no se está utilizando. Protege las hojas contra los daños cuando la herramienta está siendo transportada y está almacenada.

ENSAMBLAJE

⚠ ADVERTENCIA: Si alguna de las piezas está dañada o falta, no utilice este producto hasta que las piezas hayan sido reemplazadas. La utilización de este producto con piezas dañadas o si le faltan piezas podría causar lesiones corporales graves.

⚠ ADVERTENCIA: No intente modificar este producto ni crear accesorios no recomendados para utilizarse con este producto. Cualquiera de dichas alteraciones o modificaciones constituye un uso incorrecto y podría provocar una situación peligrosa que cause posibles lesiones corporales graves.

DESEMPAQUETADO

- Inspeccione minuciosamente la herramienta para asegurarse de que no se hayan producido roturas o daños durante el envío.
- No deseche el material de empaquetamiento hasta que haya inspeccionado minuciosamente y utilizado satisfactoriamente la herramienta.
- Si alguna pieza está dañada o falta, sírvase devolver el producto al lugar de compra.

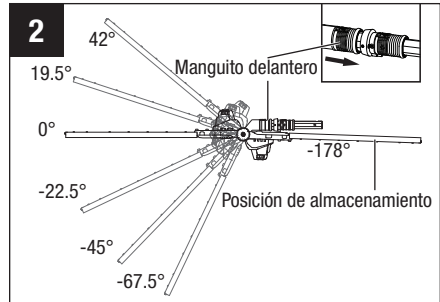
AJUSTE DE LA ORILLADORA

Cuando el aditamento de orilladora de arbustos se saca del embalaje, ha sido plegado en su posición de almacenamiento (Fig. 2). El ángulo de elevación y el ángulo lateral de su hoja se pueden ajustar independientemente. Ajuste la hoja en una posición de trabajo adecuada antes de realizar utilizar la unidad.

Ajuste del ángulo de elevación

Excepto por la posición de almacenamiento, hay 6 posiciones de trabajo con ángulos de elevación. La hoja se puede ajustar en cualquiera de las 6 posiciones, de $-67,5^\circ$ a $+42^\circ$ (Fig. 2).

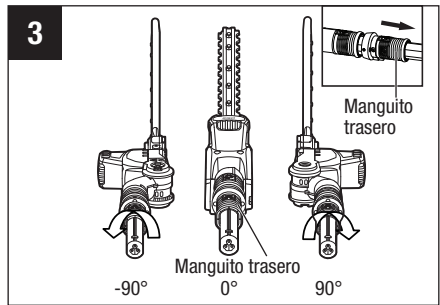
1. Jale hacia atrás el manguito delantero y luego agarre la cubierta del motor para rotar la hoja hasta la posición de corte deseada.
2. Una vez que se alcance la posición deseada, suelte el manguito. El rebote del manguito de vuelta a su posición original indica que la hoja ha quedado fija en la posición de trabajo seleccionada.



Ajuste del ángulo lateral

Hay dos posiciones de trabajo laterales (Fig. 3). La hoja se puede ajustar a la izquierda o a la derecha 90° .

1. Jale hacia atrás el manguito trasero y luego agarre la cubierta del motor para rotar la hoja hasta la posición de corte deseada.
2. Una vez que se alcance la posición deseada, suelte el manguito. El rebote del manguito de vuelta a su posición original indica que la hoja ha quedado fija en la posición de trabajo seleccionada.



⚠ ¡ADVERTENCIA! Para reducir el riesgo de lesiones, retire la batería antes de hacer ajustes y haga ajustes solo cuando las hojas estén inmóviles. No toque nunca las hojas mientras esté haciendo ajustes.

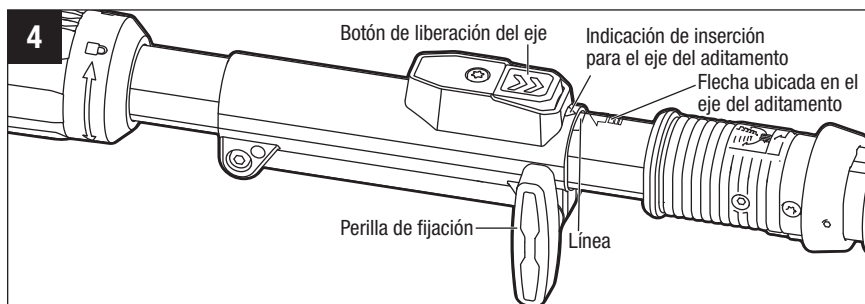
CONEXIÓN DEL ADITAMENTO DE ORILLADORA DE ARBUSTOS A LA PÉRTIGA ELÉCTRICA TELESCÓPICA

Este aditamento de orilladora de arbustos está diseñado para utilizarse con la pértiga eléctrica telescópica EGO PPX1000//PPX1000-FC.

El aditamento de orilladora de arbustos se conecta a la pértiga eléctrica telescópica por medio de un dispositivo de acoplador.

1. Apague la herramienta y retire el paquete de batería.
2. Afloje la perilla de fijación
3. Alinee la flecha ubicada en el eje de la orilladora de arbustos con la indicación de inserción ubicada en el acoplador y empuje el eje de la orilladora de arbustos hacia el interior del acoplador hasta que oiga un sonido de “clic” nítido. El eje de la orilladora de arbustos se deberá posicionar de manera que llegue completamente hasta la LÍNEA ubicada en el eje que indica que la orilladora de arbustos está montada adecuadamente en la posición correcta (Fig. 4).
4. Jale el eje del aditamento de orilladora de arbustos para verificar que está firmemente bloqueado en el acoplador. Si no lo está, empuje el eje del aditamento hacia el interior del acoplador hasta que se acople a presión en la posición correcta.
5. Apriete firmemente la perilla de fijación.

⚠ ADVERTENCIA: Para evitar lesiones corporales graves, asegúrese de que la perilla de fijación esté completamente apretada antes de utilizar la herramienta. Compruebe periódicamente si está apretada durante el uso.

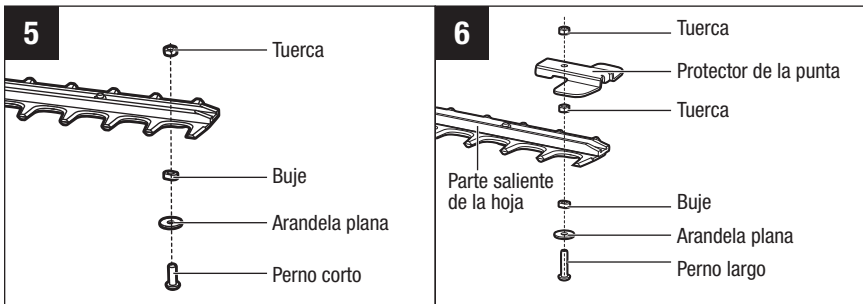


DESINSTALACIÓN DEL ADITAMENTO DE LA PÉRTIGA ELÉCTRICA TELESCÓPICA

1. Apague la herramienta y retire el paquete de batería.
2. Afloje la perilla de fijación.
3. Presione el botón de liberación del eje y, con el botón presionado, jale el eje del aditamento de orilladora de arbustos hacia fuera del acoplador para desinstalarlo de la pértiga eléctrica telescópica.

MONTAJE DEL PROTECTOR DE LA PUNTA (disponible por separado)

1. Utilice una llave hexagonal (no incluida) para retirar el perno corto, la arandela plana, el buje y la tuerca del extremo de la hoja (Fig. 5). Guarde la arandela plana, el buje y la tuerca para realizar el reensamblaje.
2. Alinee el protector de la punta con la parte saliente de la hoja y móntelo en la posición correcta. Fíjelo con el perno largo nuevo y la tuerca nueva, así como con la arandela, el buje y la tuerca que se guardaron (Fig. 6).



UTILIZACIÓN

⚠ PELIGRO: No corte nunca cerca de líneas de energía eléctrica, cables eléctricos u otras fuentes eléctricas. Si las hojas se atoran en cualquier cable eléctrico o línea eléctrica, **¡NO TOQUE LA HOJA NI LA PÉRTIGA DE ALUMINIO! ESTOS ELEMENTOS PUEDEN TENER CORRIENTE ELÉCTRICA Y ES POSIBLE QUE SEAN MUY PELIGROSOS.** Continúe agarrando la orilladora de arbustos por el mango trasero con aislamiento o déjela en algún lugar alejado de usted de manera segura. Desconecte el servicio eléctrico a la línea o el cable dañados antes de intentar liberar la hoja de la línea o del cable. El contacto con la hoja, otras partes conductoras del aditamento de orilladora de arbustos o con cables eléctricos o líneas eléctricas que tengan corriente causará muerte por electrocución o lesiones graves.

⚠ ADVERTENCIA: No deje que la familiaridad con este producto le haga descuidarse. Recuerde que una fracción de segundo de descuido es suficiente para causar lesiones graves.

⚠ ADVERTENCIA: Use siempre protección ocular que cumpla con la norma ANSI Z87.1. Si no se hace así, el resultado podría ser que se lancen objetos hacia los ojos del operador y otras posibles lesiones graves.

⚠ ADVERTENCIA: Para prevenir lesiones corporales graves, retire el paquete de batería de la herramienta antes de hacer servicio de ajustes y reparaciones, realizar limpieza, cambiar aditamentos o retirar material de la unidad.

Antes de cada uso, inspeccione todo el producto para determinar si hay piezas dañadas, si faltan piezas o si hay piezas flojas, tales como tornillos, tuercas, pernos, tapas, etc. Apriete firmemente todos los sujetadores y todas las tapas y no utilice este producto hasta que todas las piezas que falten o que estén dañadas hayan sido reemplazadas.

APLICACIONES

Usted puede utilizar este producto para orillar arbustos, setos, maleza, matorrales y material similar con un diámetro de rama de menos de 1 pulgada (26 mm).

UTILIZACIÓN DE LA ORILLADORA DE ARBUSTOS CON LA PÉRTIGA ELÉCTRICA TELESCÓPICA

⚠ ADVERTENCIA: Vístase adecuadamente para reducir el riesgo de lesiones cuando utilice esta herramienta. No se ponga ropa holgada ni joyas. Use protección ocular y de los oídos/la audición. Use pantalones largos gruesos, botas y guantes. No use pantalones cortos ni sandalias, ni vaya descalzo.

PREPARACIÓN PARA CORTAR

Consulte las “INSTRUCCIONES DE SEGURIDAD” que aparecen anteriormente en este manual para conocer el equipo de seguridad adecuado.

1. Ajuste la hoja de corte en la posición de trabajo deseada.
2. Retire de la hoja el protector de la hoja.

TÉCNICAS DE TRABAJO

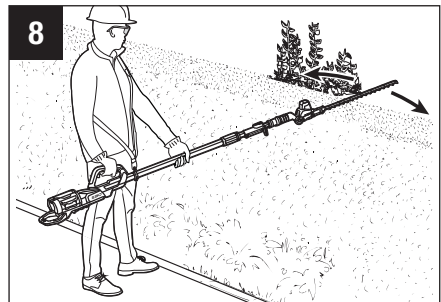
Corte horizontal (con la cabeza de corte en ángulo)

Corte realizado cerca del piso en posición de pie, p. ej., para orillar arbustos bajos. Mueva la hoja hacia la derecha y hacia la izquierda mientras usted se desplaza siguiendo el arbusto. Utilice ambos lados de las hojas y no apoye la hoja de corte en el piso (Fig. 7).



Corte horizontal (con la cabeza de corte recta)

Sostenga la hoja a un ángulo de 0° mientras mueve lentamente la orilladora de arbustos en sentido horizontal. Mueva la hoja en un arco hacia los lados exteriores del arbusto de manera que los recortes sean barridos hacia el piso (Fig. 8).

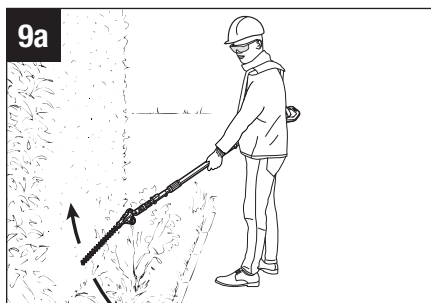


Recomendación: Corte arbustos que no estén por encima de la altura del pecho en esta posición de trabajo.

Corte vertical (cabeza de corte en ángulo)

Corte realizado sin estar de pie directamente junto al arbusto, p. ej., lecho de flores entre el operador y el arbusto.

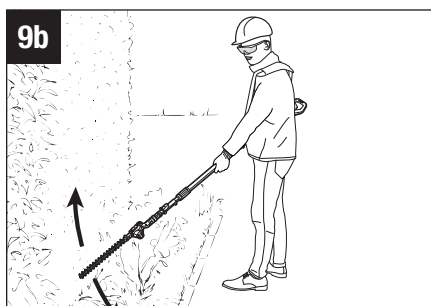
En esta posición de corte, para que usted controle mejor la orilladora de arbustos, se recomienda que la conecte con la cabeza de corte en la posición de corte lateral.



Mueva la cabeza de corte hacia arriba y hacia abajo en un arco mientras usted se desplaza siguiendo el arbusto. Utilice ambos lados de la hoja de corte (Fig. 9a).

Corte vertical (con la cabeza de corte recta)

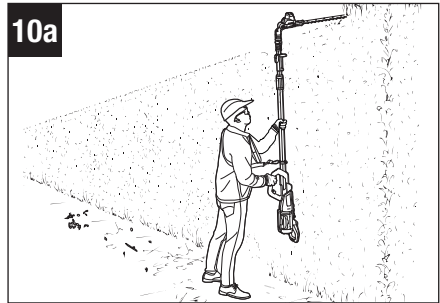
Alcance extralargo sin necesidad de otros auxiliares. Mueva la cabeza de corte hacia arriba y hacia abajo en un arco mientras usted se desplaza siguiendo el arbusto. Utilice ambos lados de la hoja de corte (Fig. 9b).



Corte por encima de la cabeza (con la hoja en ángulo)

Sostenga verticalmente la orilladora de arbustos y muévala lentamente en un arco para hacer un uso máximo de su alcance (Fig. 10a y 10b). En el caso de un arbusto de altura extrema, la pértiga de extensión es adecuada para auxiliares de orillado.

⚠ ADVERTENCIA: Cualquier posición de trabajo por encima de la cabeza es fatigante. Para minimizar el riesgo de accidentes, trabaje en esas posiciones solo durante períodos cortos. Ajuste el ángulo de la hoja al máximo para que la herramienta se pueda sostener en una posición más baja y menos fatigante, a la vez que aún proporciona un alcance adecuado.



PARA ARRANCAR/PARAR LA HERRAMIENTA

Consulte la sección "**ARRANQUE/PARADA DE LA PÉRTIGA ELÉCTRICA TELESCÓPICA**" del manual del operador de la pértiga eléctrica telescópica PPX1000/PPX1000-FC.

MANTENIMIENTO

⚠ ADVERTENCIA: Cuando haga servicio de ajustes y reparaciones, utilice únicamente piezas de repuesto genuinas EGO. Es posible que el uso de cualquier otra pieza cree un peligro o cause producto daños al producto. Para garantizar la seguridad y la confiabilidad, todas las reparaciones deberán ser realizadas por un técnico de servicio calificado.

⚠ ADVERTENCIA: Para prevenir lesiones corporales graves, retire el paquete de batería de la pértiga eléctrica antes de realizar inspecciones, limpieza o mantenimiento, o cambiar aditamentos adicionales.

MANTENIMIENTO GENERAL

Evite utilizar solventes cuando limpie piezas de plástico. La mayoría de los plásticos son susceptibles de sufrir daños causados por diversos tipos de solventes comerciales y es posible que resulten dañados por su uso. Use paños limpios para retirar la suciedad, el polvo, el aceite, la grasa, etc.

⚠ ADVERTENCIA: Cuando limpie el aditamento de orilladora de arbustos, NO lo sumerja en agua o en otros líquidos.

LIMPIEZA

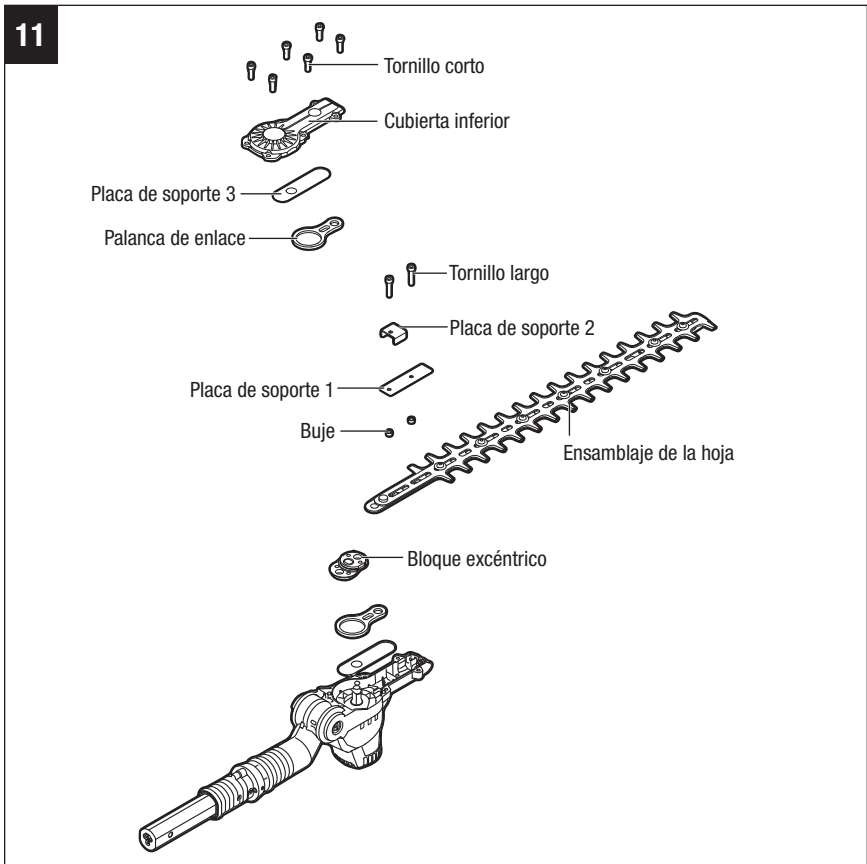
- Utilice un cepillo blando para retirar los residuos de todas las entradas de aire y de las hojas de corte.
- Para retirar resina y otros residuos pegajosos, rocíe las hojas con solvente de resina. Tenga en funcionamiento brevemente el motor para que el solvente se distribuya uniformemente.
- No utilice detergentes fuertes en la carcasa de plástico ni en el mango. Tanto la carcasa como el mango pueden resultar dañados por ciertos aceites aromáticos, tales como los de pino y limón, y por solventes tales como el queroseno. La humedad también puede causar un peligro de descargas eléctricas. Elimine toda la humedad con un paño suave y seco. No use NUNCA agua para limpiar la herramienta.

Todo el servicio de ajustes y reparaciones de la orilladora de arbustos, que no sea de los artículos indicados en estas instrucciones de mantenimiento, deberá ser realizado por personal competente de servicio de orilladoras de arbustos.

REEMPLAZO DE LA HOJA

⚠ ADVERTENCIA: Use siempre guantes cuando maneje la hoja; estos componentes están muy afilados y es posible que contengan rebabas.

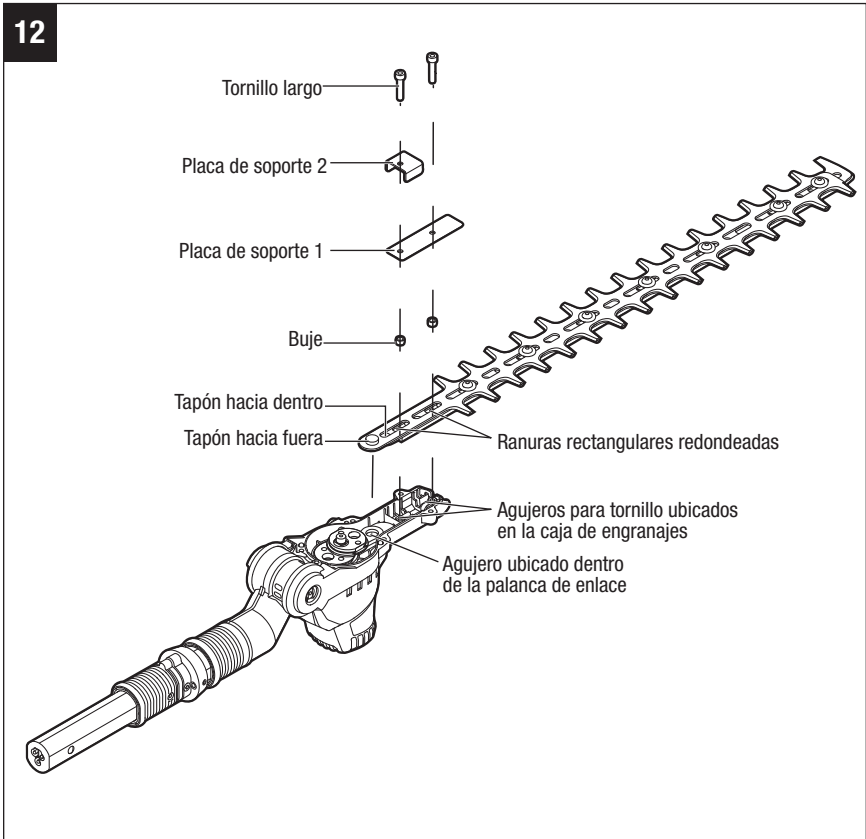
1. Apague la herramienta y retire la batería.
2. Ajuste la hoja hasta la posición horizontal, asegurándose de que el ensamblaje de la hoja esté en línea con el eje de la orilladora de arbustos para facilitar el montaje (Fig. 11).



3. Utilice una llave hexagonal (no incluida) para aflojar los 6 tornillos (tornillos cortos) ubicados en la cubierta inferior y retirarlos.
4. Continúe aflojando los 2 tornillos (tornillos largos) para retirar la placa de soporte 1 y 2, así como los 2 bujes. Los 2 bujes está ubicados separadamente dentro de las dos ranuras rectangulares redondeadas ubicadas en el ensamblaje de la hoja.
5. Retire la placa de soporte 3.
6. Retire cuidadosamente la palanca de enlace de la hoja.
7. Retire el ensamblaje de la hoja de la herramienta y asegúrese de que la posición del ensamblaje del bloque excéntrico permanezca inalterada.
8. Alinee la parte saliente hacia dentro del ensamblaje de la hoja nueva con el agujero ubicado dentro de la palanca de enlace para instalar el ensamblaje de la hoja nuevo en la posición correcta.
9. Inserte los dos bujes en los dos rectángulos redondeados por separado.
10. Monte la placa de soporte 1 y luego monte la placa de soporte 2.

11. Mantenga los agujeros interiores de la hoja, los bujes y los agujeros de las placas de soporte en línea con los agujeros para tornillo ubicados en la caja de engranajes. Instale los 2 tornillos largos en los agujeros alienados y apriételos firmemente (Fig. 12).

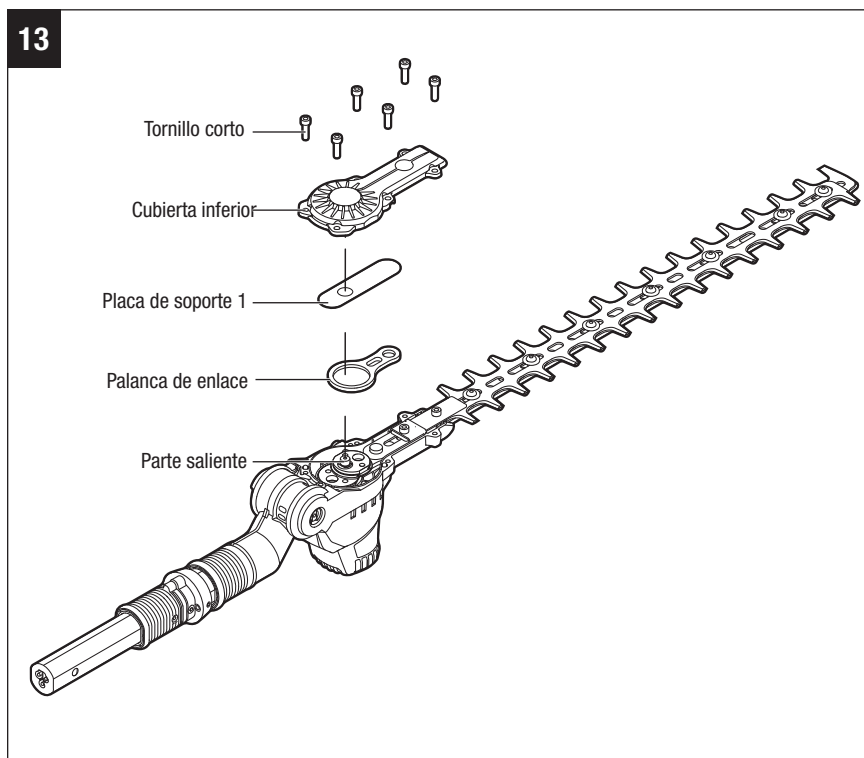
12



12. Mueva ligeramente la hoja superior hacia atrás y hacia adelante para comprobar si se puede mover libremente. Si no puede, reensamble las hojas hasta que la hoja superior se pueda mover libremente.

13. Instale la palanca de enlace.

14. Alinee el agujero de la placa de soporte 3 con la parte saliente del bloque excéntrico para instalar la placa de soporte en la posición correcta, asegurándose de que la placa esté ubicada exactamente en el centro, paralela a ambos bordes.
15. Monte la cubierta inferior sobre la caja de engranajes y fíjela con 6 tornillos cortos (Fig. 13).



16. Arranque la orilladora de arbustos para comprobar si puede funcionar normalmente. Si no puede, reensámblela siguiendo los pasos que anteceden.

AFILADO DE LA HOJA PERIÓDICAMENTE

Cuando el rendimiento y el comportamiento de corte comiencen a deteriorarse, reafile las hojas.

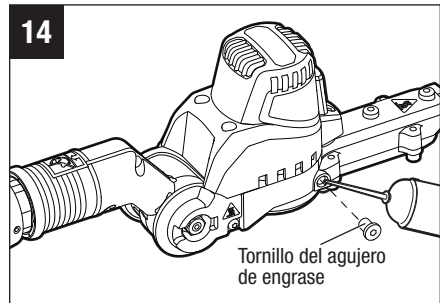
1. Desinstale el cabezal de la orilladora de arbustos retirándolo de la pértiga eléctrica.
2. Coloque la orilladora de arbustos en una posición adecuada.
3. En el caso de una hoja de acero estándar, afile las hojas con una lima estándar para metales.

AVISO: No utilice su orilladora de arbustos con hojas desafiladas o dañadas. Es posible que esto cause sobrecarga y dará resultados de corte insatisfactorios.

LUBRICAR LA HOJA (Fig. 14)

Para obtener el mejor funcionamiento y una vida útil más larga de la hoja, lubrique la hoja de la orilladora de arbustos con aceite anticorrosión después de cada uso. **NO LLENE COMPLETAMENTE EL AGUJERO DE ENGRASE CON EL ACEITE.**

1. Retire el tornillo del agujero de engrase ubicado en la caja de engranajes por medio de una llave hexagonal (no incluida).
2. Inyecte un máximo de 0,01 lb (5 g) de grasa en el agujero de engrase.
3. Apriete el tornillo después de la inyección.



LUBRICACIÓN DEL ENGRANAJE IMPULSOR

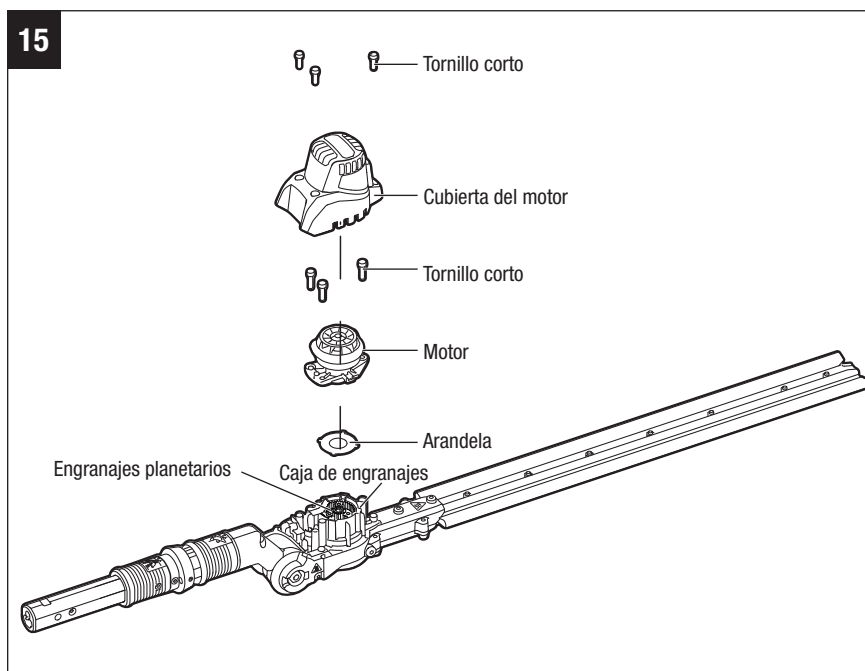
Para obtener el mejor funcionamiento y un tiempo de vida útil más largo, lubrique el engranaje impulsor del aditamento de orilladora de arbustos con una grasa especial cada 100 horas de funcionamiento.

La grasa debe cumplir los siguientes requisitos:

- Penetración de grado NLGI: NLGI-2;
- Tipo de espesante: Poliurea;
- Intervalo de temperatura de funcionamiento recomendado: -40 °F a 356 °F (-40 °C a 180 °C);
- Además de lo anterior, la grasa también deberá ser estable al cizallamiento con excepcionales características de resistencia a la presión y excelentes propiedades antidesgaste, así como una estabilidad perfecta a la oxidación.

Siga los pasos que se indican a continuación para llenar con grasa:

1. Apague la herramienta y retire el paquete de batería.
2. Utilice una llave hexagonal (no incluida) para aflojar y retirar 3 tornillos cortos ubicados en la cubierta del motor y luego retire dicha cubierta (Fig. 15).



NOTA: Después de retirar la cubierta del motor, limpie alrededor del motor para eliminar el aserrín.

3. Afloje los 3 tornillos cortos ubicados en el motor y luego retire el motor y la arandela.
4. Utilice una pistola engrasadora (no incluida) para inyectar un máximo de 0,01 lb (5 g) de grasa en el centro de los 3 engranajes planetarios superiores de la caja de engranajes.

NOTA: Asegúrese de que la posición de otras piezas cerca de la caja de engranajes permanezca inalterada durante la inyección.

5. Reensamble la arandela y el motor apretando los 3 tornillos cortos.
6. Reensamble la cubierta del motor apretando los 3 tornillos cortos.
7. Arranque la herramienta para comprobar si puede funcionar normalmente. Si no puede, reensámblela siguiendo los pasos que anteceden.

TRANSPORTE Y ALMACENAMIENTO

- Retire el paquete de batería de la herramienta.
- Limpie minuciosamente la herramienta antes de almacenarla.
- Ponga el protector de la hoja sobre la hoja de corte antes de almacenar o transportar la herramienta. Tenga precaución para evitar los dientes afilados de las hojas. Para ahorrar espacio, pliegue el aditamento de orilladora de arbustos hasta su posición de almacenamiento (Fig. 2).
- Almacene la unidad en un área seca y bien ventilada, cerrada con llave o en un lugar elevado, fuera del alcance de los niños. No almacene la unidad sobre ni adyacente a fertilizantes, gasolina u otras sustancias químicas.

RESOLUCIÓN DE PROBLEMAS

PROBLEMA	CAUSA	SOLUCIÓN
La orilladora de arbustos no funciona.	<ul style="list-style-type: none"> ■ No hay contacto eléctrico entre la orilladora y la batería. ■ El paquete de batería está agotado. ■ El paquete de batería o la pértiga eléctrica están demasiado calientes. ■ La hoja está atorada. ■ La orilladora de arbustos no está bien conectada con la pértiga eléctrica. 	<ul style="list-style-type: none"> ■ Retire la batería, compruebe los contactos y reinstale el paquete de batería. ■ Cargue el paquete de batería. ■ Deje que el paquete de batería o la pértiga eléctrica se enfríen antes de rearmar la herramienta. ■ Retire el paquete de batería de la herramienta. Retire cuidadosamente la obstrucción y luego reinserte la batería y rearme la herramienta. ■ Desconecte la orilladora de arbustos de la pértiga eléctrica. Reconecte la orilladora y la pértiga siguiendo la sección “CONEXIÓN DEL ADITAMENTO DE ORILLADORA DE ARBUSTOS A LA PÉRTIGA ELÉCTRICA” de este manual.
Vibración excesiva o ruido excesivo.	<ul style="list-style-type: none"> ■ Hojas secas o corroídas. ■ Las hojas o el soporte de las hojas están doblados ■ Dientes doblados o dañados. ■ Pernos de hoja flojos. 	<ul style="list-style-type: none"> ■ Lubrique las hojas. ■ Reemplace la hoja o el soporte por una hoja nueva o un soporte nuevo siguiendo la sección “REEMPLAZO DE LA HOJA” de este manual o contacte al centro de servicio EGO para obtener un reemplazo. ■ Reemplace la hoja por una hoja nueva siguiendo la sección “REEMPLAZO DE LA HOJA” de este manual o contacte al centro de servicio EGO para obtener un reemplazo. ■ Apriete los pernos de la hoja. Utilizando una llave hexagonal (no incluida), gire el perno en el sentido de las agujas del reloj para apretarlo.

GARANTÍA

POLÍTICA DE GARANTÍA

Garantía limitada de 5 años en equipos de energía para exteriores y energía portátil EGO POWER+ para uso doméstico personal.

Garantía limitada de 3 años en paquetes de baterías y cargadores con el Sistema EGO POWER+ para uso doméstico personal.

Garantía limitada de 2 años/1 año en equipos de energía para exteriores, energía portátil, paquetes de baterías y cargadores EGO para uso profesional y comercial.

Los períodos de garantía detallados por productos se pueden encontrar en línea en <http://egopowerplus.com/pages/warranty-policy>.

Póngase en contacto con Servicio al Cliente de EGO de manera gratuita al 1-855-EGO-5656, cuando tenga preguntas o reclamaciones de garantía.

GARANTÍA LIMITADA DE SERVICIO

Los productos EGO están garantizados contra defectos de material o de fabricación a partir de la fecha de compra original al por menor durante el período de garantía aplicable. El producto defectuoso será reparado gratuitamente.

- a) Esta garantía se aplica solo al comprador original del distribuidor minorista autorizado de EGO y podría no ser transferible. Los distribuidores minoristas autorizados de EGO se identifican en línea, en <http://egopowerplus.com/pages/warranty-policy>.
- b) El período de garantía para productos reacondicionados o certificados de fábrica que se utilizan para fines residenciales es de 1 año, para fines industriales, profesionales o comerciales es de 90 días.
- c) El período de garantía para piezas del mantenimiento de rutina, incluidas, entre otras, cuchillas, cabezales de orilladoras, listones de cadenas, cadenas de motosierras, correas, barras raspadoras, boquillas de sopladores y todos los demás accesorios EGO, es de 90 días con fines residenciales y de 30 días para propósitos industriales, profesionales o comerciales. Estas piezas tienen cobertura durante 90/30 días por defectos de fabricación en condiciones normales de trabajo.
- d) Esta garantía queda nula si el producto se ha puesto en alquiler.
- e) Esta garantía no cubre daños producto de modificaciones, alteraciones o reparaciones no autorizadas.

- f) Esta garantía solo cubre defectos que surjan del uso normal y no cubre el mal funcionamiento, las fallas ni los defectos que resulten del mal uso, el abuso (que incluye la sobrecarga del producto más allá de su capacidad y sumergirlo en agua o en cualquier otro líquido), accidentes, negligencia o falta de instalación adecuada y mantenimiento o almacenamiento inadecuados.
- g) Esta garantía no cubre el deterioro normal del acabado exterior, incluidos, entre otros, rayones, abolladuras, trozos de pintura o cualquier corrosión o decoloración producida por el calor o limpiadores químicos y abrasivos.

CÓMO OBTENER EL SERVICIO

Para obtener el servicio de garantía, póngase en contacto con Servicio al Cliente de EGO de manera gratuita al **1-855-EGO-5656**. Cuando pida un servicio cubierto por la garantía, debe presentar el recibo con la fecha original de venta. Un centro de servicio autorizado será seleccionado para reparar el producto de acuerdo con los términos establecidos en la garantía. Cuando lleve el producto al centro de servicio autorizado, es posible que deba hacer un pequeño depósito cuando deje la herramienta. Este depósito se reembolsará cuando se considere que el servicio de reparación se haya cubierto con la garantía.

LIMITACIONES ADICIONALES

En la medida en que la ley aplicable lo permita, se deniegan todas las garantías implícitas, inclusive las garantías de COMERCIALIZIDAD o IDONEIDAD PARA UN PROPÓSITO ESPECÍFICO. Todas las garantías implícitas, inclusive las garantías de comerciabilidad o idoneidad para un propósito específico, que no se puedan denegar bajo la ley estatal, están limitadas al período de garantía aplicable definido al comienzo de este artículo.

Chervon North America no se hará responsable por daños directos, indirectos, accidentales o resultantes.

Algunos estados no permiten limitaciones con respecto a la duración de una garantía implícita y/o no permiten la exclusión o limitación de daños accidentales o resultantes, de modo que las limitaciones antes descritas podrían no aplicarse en su caso.

Esta garantía le otorga derechos legales específicos, pero podría tener también otros derechos que varían según el estado.

Para obtener el servicio al cliente, póngase en contacto con nosotros de manera gratuita al: **1-855-EGO-5656** o visite: **EGOPOWERPLUS.COM**
EGO Customer Service, 769 SEWARD AVE NW / Suite 102 Grand Rapids, MI 49504

