



ITEM #1048422
1048423
1048424

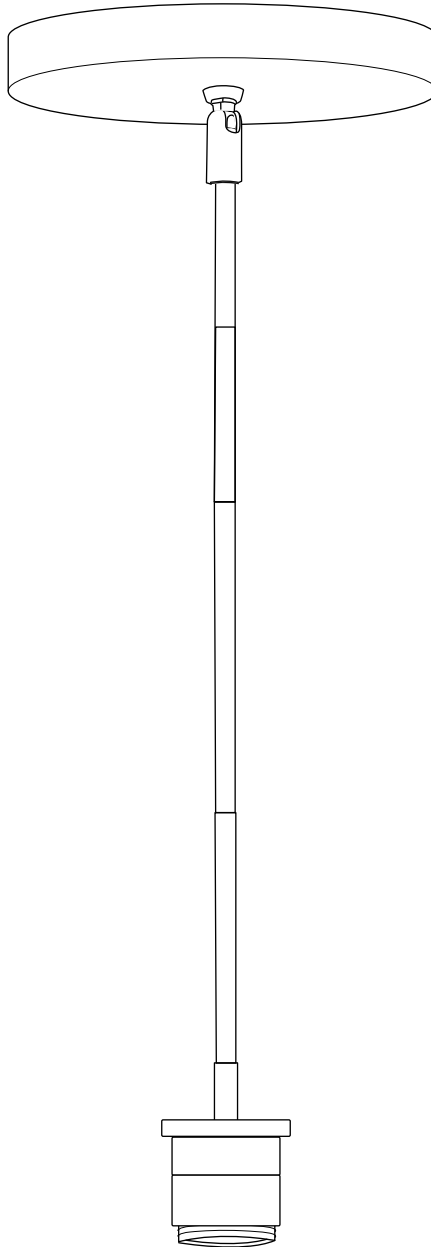
PENDANT FITTER

MODEL #CPR1OSB
CPR1BNK
CPR1CHP

Français p. 11

Español p. 21

ATTACH YOUR RECEIPT HERE



800053

APPROVED FOR USE
IN DAMP LOCATIONS

Purchase Date _____

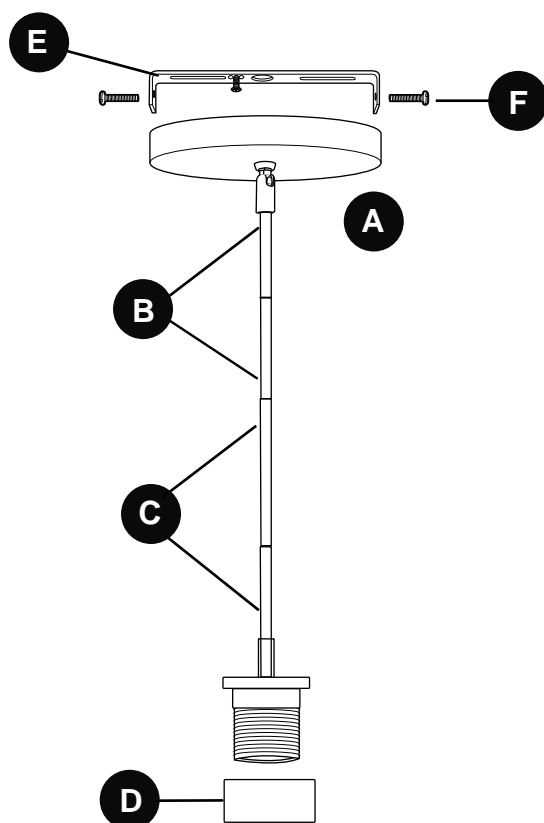


Questions, problems, missing parts? Before returning to your retailer, call our customer service department at **1-800-643-0067**, 8 a.m. - 6 p.m., EST, Monday - Thursday, 8 a.m. - 5 p.m., EST, Friday.

TABLE OF CONTENTS

Package Contents	3
Hardware Contents	4
Safety Information	4
Preparation	5
Assembly Instructions	6
Care and Maintenance	10
Troubleshooting	10
Warranty	10

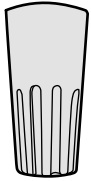
PACKAGE CONTENTS



PART	DESCRIPTION	QUANTITY
A	Fixture	1
B	6-inch Rod (preassembled to fixture (A))	2
C	12-inch Rod (preassembled to fixture (A))	2
D	Socket Ring (preassembled to fixture (A))	1
E	Mounting Strap (preassembled to fixture (A))	1
F	Mounting Strap Screw (preassembled to mounting strap (E))	2

HARDWARE CONTENTS (shown actual size)

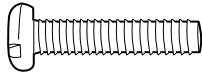
AA



Wire
Connector

Qty. 3

BB



Machine
Screw

Qty. 2



SAFETY INFORMATION

READ AND SAVE THESE INSTRUCTIONS.



DANGER

- For your protection and safety, carefully read and understand the information provided in this manual completely before attempting to assemble, install or operate this product. Failure to do so could lead to electrical shock, fire or other injuries that could be hazardous or even fatal.
- DO NOT connect this fixture to an electrical system that does not provide a means for equipment grounding. Never use a fixture in a two-wire system that is not grounded. Installing a fixture into an electrical system not having a proper grounding means could cause metal parts of the fixture to carry electrical currents if any of the fixture wires, wire connections or splices were to become broken, cut or loose during the mounting or normal operation of the fixture. Under this condition, anyone coming in contact with the fixture would be subject to electrical shock, which could cause serious injury or death.
- DO NOT connect the bare or green insulation fixture ground wire to the black (HOT) current-carrying wire or the white neutral house wire. Connection of the bare or green fixture ground wire to the black or white house wires may cause metal parts of the fixture to carry electrical currents. Under this condition anyone coming in contact with the fixture will receive electrical shock, which could cause serious injury or death.
- DO NOT damage or cut the wire insulation (covering) during installation of fixture. DO NOT permit wires to contact any surface having a sharp edge. To do so may damage or cut the wire insulation, which could cause serious injury or death from electrical shock.



WARNING

- All electrical connections must be in agreement with local codes and ordinances, the National Electric Code (NEC) and ANSI/NFPA 70-1999. Contact your municipal building department to learn about your local codes, permits and/or inspections. Risk of fire - most dwellings built before 1985 have supply wire rated for 140°F. Consult a qualified electrician before installation.
- To avoid personal injury, the use of gloves may be necessary while handling fixture parts with sharp edges.
- DO NOT suspend any fixture by the house wires. A fixture must always be mounted directly to an outlet box or to a mounting strap which is first attached to the outlet box. Wire connectors will not support the weight of a fixture. Suspending a fixture by the house wires and wire connectors will result in the fixture falling, with the possibility of personal injury and the danger of electrical shock or fire.

SAFETY INFORMATION

WARNING

- To reduce the risk of fire, electrical shock or personal injury, wire connectors provided with this light fixture are designed to accept only one 12-gauge house wire and two lead wires from the light fixture. If your house wire is larger than 12-gauge or there is more than one house wire to connect to the corresponding fixture lead wires, consult an electrician for the proper size wire connectors to use.

CAUTION

- TURN OFF ELECTRICITY at main fuse box (or circuit breaker box) before beginning installation by removing the fuse (or switching the circuit breaker off).
- If you are not sure the lighting system has a grounding means, DO NOT attempt to install this fixture. Contact a qualified, licensed electrician for information regarding the proper grounding methods as required by the local electrical code in your area.
- All fixtures must be mounted to an outlet box that is supported by the building structure.
- DO NOT use bulbs having a wattage greater than the maximum value stated on the fixture. The use of bulbs with higher wattage than specified will increase temperatures and risk of fire.
- If a dimmer control switch is used with this fixture, obtain professional advice to determine the correct type to use as well as the electrical rating required.

PREPARATION

Before beginning assembly of product, make sure all parts are present. Compare parts with package contents list and hardware contents list. If any part is missing or damaged, do not attempt to assemble the product.

Estimated Assembly Time: 45 minutes

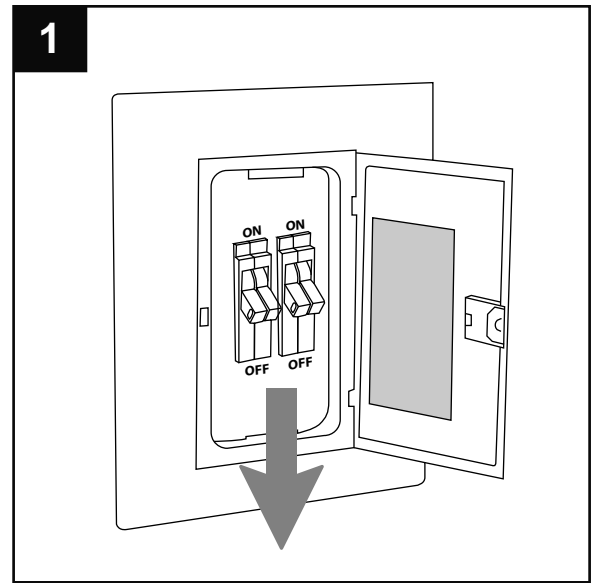
Tools Required for Assembly (not included): Flathead screwdriver, Phillips screwdriver, wire strippers, pliers, wire cutters, safety glasses, stepladder, electrical tape.

Helpful Tools (not included): A/C tester light, do-it-yourself guide, soft cloth.

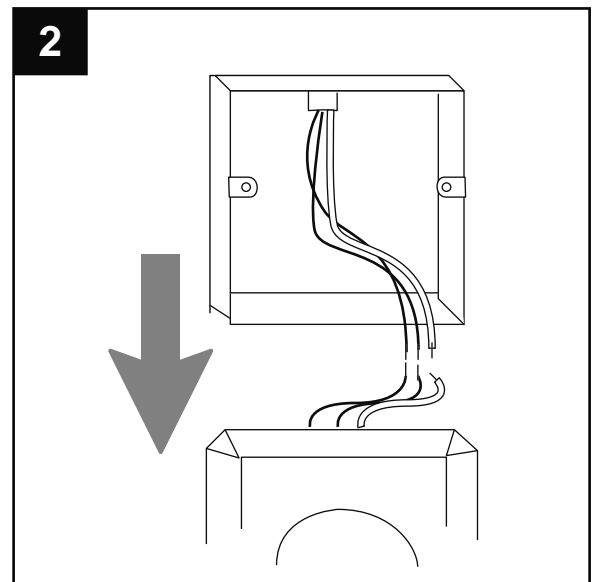
ASSEMBLY INSTRUCTIONS

1. Turn off circuit breakers and wall switch to the fixture supply line leads.

⚠ DANGER: Failure to disconnect power supply prior to installation may result in serious injury or death.

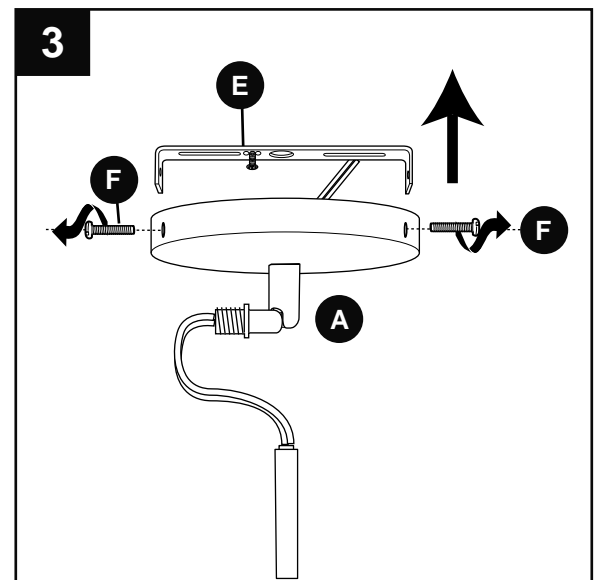


2. Remove existing fixture and disconnect all electrical wiring.



3. Remove mounting strap (E) from fixture (A) by removing mounting strap screws (F) from the edges of the fixture (A).

Save mounting strap screws (F) for later use.



ASSEMBLY INSTRUCTIONS

4. Attach mounting strap (C) to outlet box (not included) using existing washers and outlet box screws or the machine screws (BB). **NOTE:** If the outlet box screws required for your outlet box are of a different size than the machine screws (BB), consult a licensed electrician before proceeding.

Tighten machine screws (BB) completely to secure mounting strap (C) to outlet box.

⚠ CAUTION: Make sure the outlet box can support 35 lbs. hanging weight. Use *metal* outlet box; plastic outlet boxes are not recommended.

Hardware Used

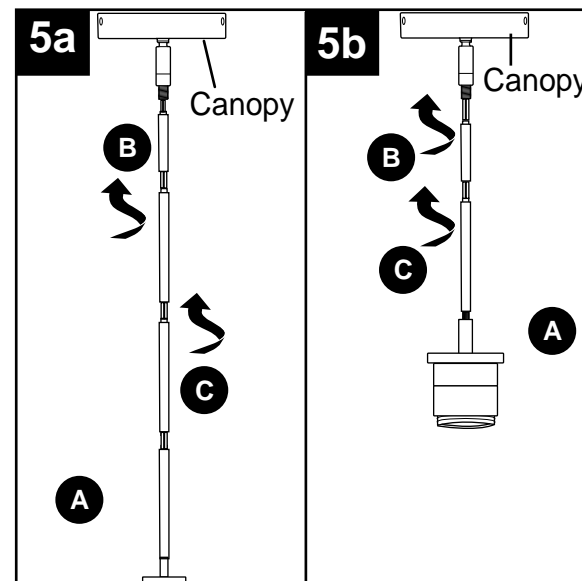
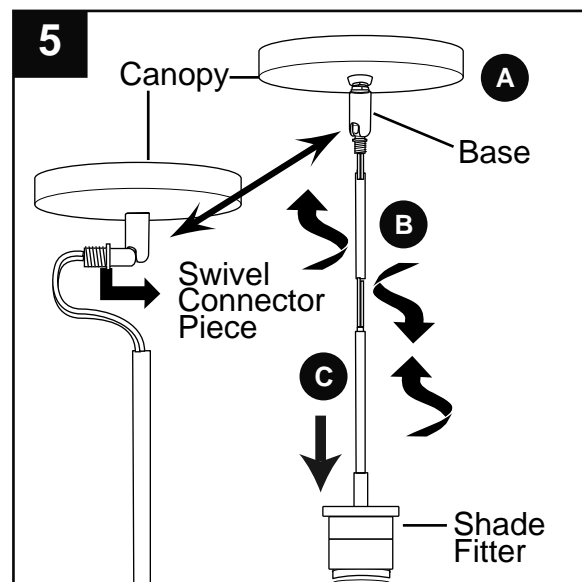
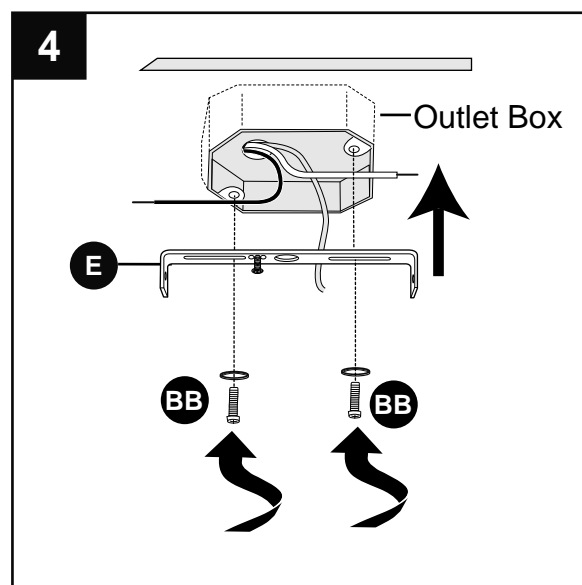
BB Machine Screw  x 2

5. There are several different ways to use the fixture (A) depending on the number and combination of rods (B and C) you decide to use:

Locate swivel connector piece under canopy on fixture (A). Rotate swivel connector piece until it aligns with canopy base. **[NOTE:** This may require some force.]

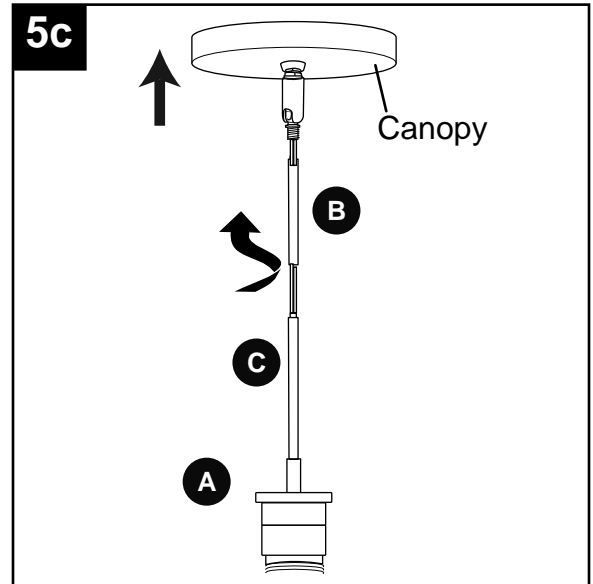
Whatever the number and combination of rods you choose to use, the lowermost rod must be screwed into top of shade fitter of fixture (A). Make sure rod is completely secure before proceeding.

- 5a. **If you wish to use the fixture (A) with all FOUR rods**, be sure rods are completely connected by screwing their ends together, and then secure top rod to canopy.
- 5b. **If you wish to use the fixture (A) with any other combination of rods**, gently slide canopy over wires to remove the canopy. Next, slide the rods that will **not** be used up over the wiring until rods that will **not** be used are free of the wiring. Attach the rods remaining on the fixture by screwing their ends together -- make sure rods are completely connected. Thread wires back through canopy and then secure top rod to canopy.



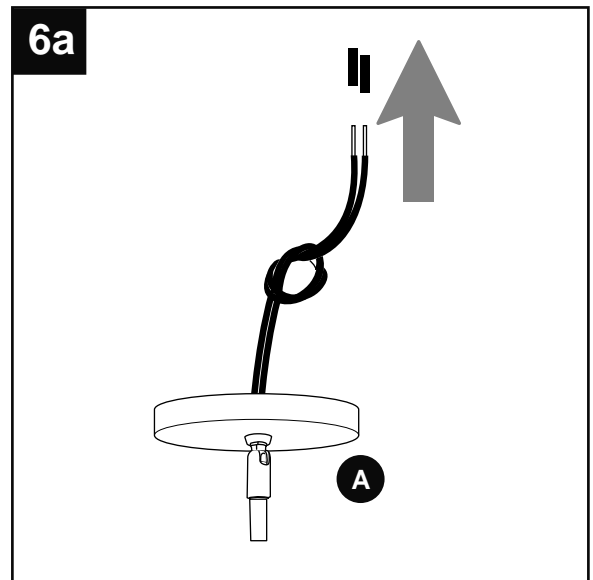
ASSEMBLY INSTRUCTIONS

- 5c. If you wish to use the fixture (A) with only **ONE** rod, gently slide canopy over wires to remove the canopy. Next, slide the rods that will **not** be used up over the wiring until rods that will **not** be used are free of the wiring. Thread wires back through canopy and screw rod into canopy.



- 6a. Prepare wire by stripping 3/4 in. of insulation from wire ends using wire strippers (not included). Tie wire into a knot.

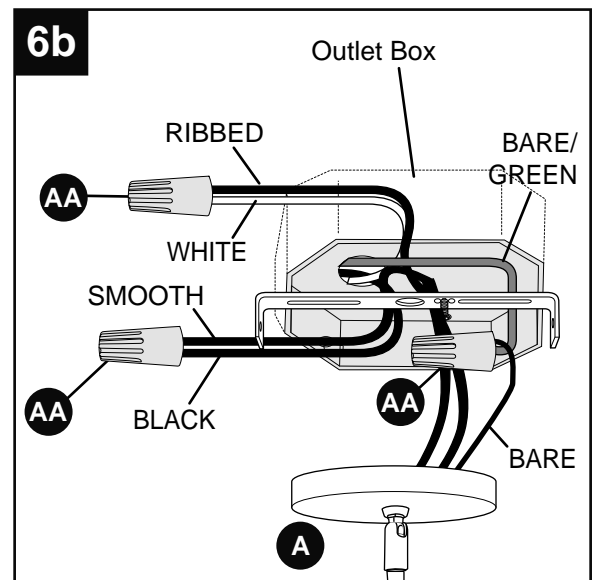
- 6b. Connect the RIBBED wire from the fixture (A) to WHITE wire from outlet box using existing wire connector or wire connector (AA). Connect the SMOOTH wire from the fixture (A) to BLACK wire from outlet box using existing wire connector or wire connector (AA). Connect BARE/GREEN ground wire from outlet box to BARE ground wire from fixture (A) using wire connector (AA).



NOTE: Screw wire connectors (AA) on in a clockwise direction.

⚠ WARNING: Never connect ground wire to WHITE or BLACK power supply wires.

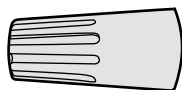
⚠ WARNING: To reduce the risk of fire, electrical shock or personal injury, wire connectors (AA) provided with this light fixture are designed to accept only one 12-gauge house wire and two lead wires from the light fixture. If your house wire is larger than 12-gauge or there is more than one house wire to connect to the corresponding fixture lead wires, consult an electrician for the proper size wire connectors to use.



Hardware Used

AA

Wire Connector

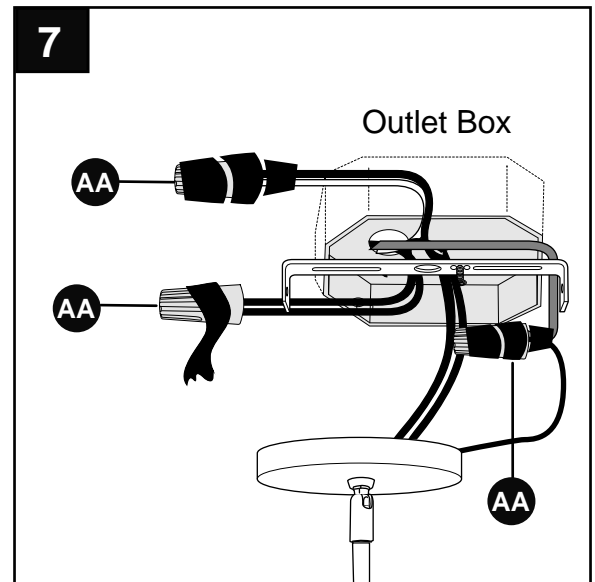


x3

ASSEMBLY INSTRUCTIONS

7. Wrap electrical tape (not included) around each individual wire connector (AA) down to the wire.

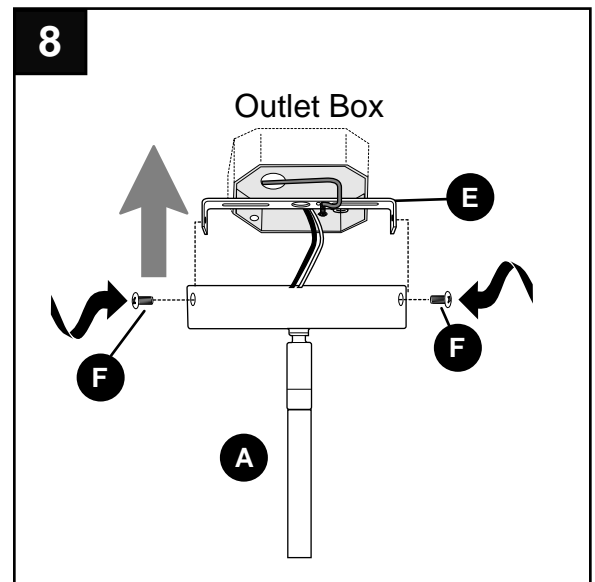
⚠ WARNING: Make sure no bare wire or wire strands are visible after making connections.



8. Carefully arrange excess wiring and wire connectors (AA) within canopy on fixture (A).

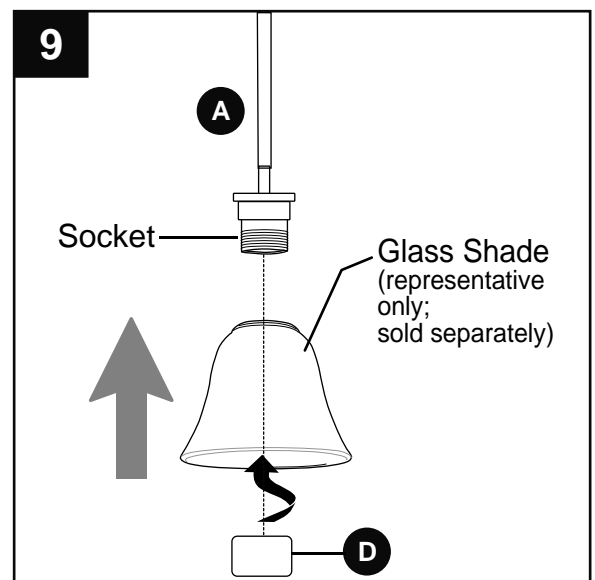
Align holes in edge of canopy with screw holes at ends of mounting strap (E). Secure fixture (A) with mounting strap screws (F) previously removed (Step 3, page 6).

If you do not wish to use a glass shade, please skip to Step 10.



9. Remove socket ring (D) from socket on fixture (A). Attach glass shade (sold separately) to socket using socket ring (D).

⚠ WARNING: Do not overtighten socket ring (D) as glass may crack or break.



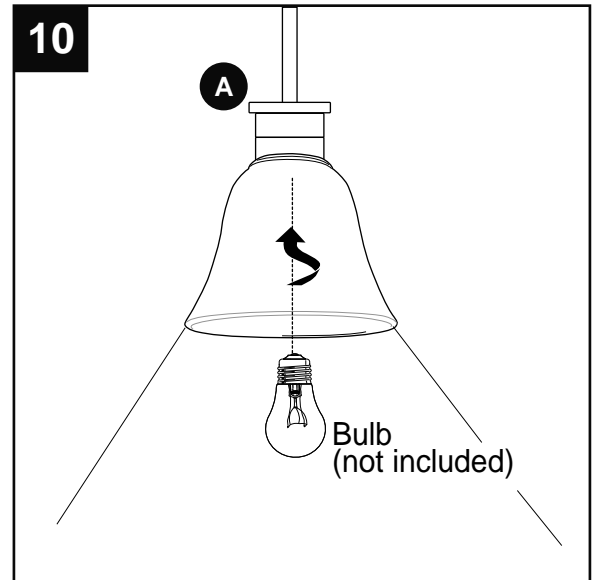
ASSEMBLY INSTRUCTIONS

10. Install one standard-base bulb (not included). Use a 60-watt max. incandescent bulb or a CFL/LED equivalent.

Restore power and test fixture (A).

If light does not function, please refer to TROUBLESHOOTING on the next page.

⚠ CAUTION: When replacing bulb, please allow bulb and fixture (A) to cool down before touching.



CARE AND MAINTENANCE

- Shut off main power supply. Wipe fixture with soft, damp cloth. Use window cleaner to clean glass. Do not use an abrasive cleaner on glass or fixture.

TROUBLESHOOTING

⚠ WARNING: Before beginning work, shut off the power supply to avoid electrical shock.

PROBLEM	POSSIBLE CAUSE	CORRECTIVE ACTION
Bulb will not light.	<ol style="list-style-type: none"> 1. Bulb is burned out. 2. Power is OFF. 3. Faulty connection. 	<ol style="list-style-type: none"> 1. Replace light bulb. 2. Make sure power supply is ON. 3. Check wiring and all connections.
Fuse blows out or circuit breaker trips.	<ol style="list-style-type: none"> 1. Crossed wires. 2. Power wire is grounding out. 	<ol style="list-style-type: none"> 1. Check wiring. 2. Check all connections.

WARRANTY

The distributor warrants all of its lighting fixtures against defects in materials and workmanship for one (1) year from the date of purchase. If within this period the product is found to be defective, take a copy of the bill of sale as a proof of purchase and the product in its original carton to the place of purchase. The distributor will, at its option, repair, replace or refund the purchase price to the consumer. All costs of installation and removal of the fixture is the responsibility of the consumer. This warranty does not cover fixtures becoming defective due to misuse, accidental damage or improper handling and/or installation and specifically excludes liability for direct, incidental or consequential damages. As some states do not allow exclusions of limitations on an implied warranty, the above exclusion and limitation may not apply. This warranty gives you specific rights and you may also have other rights which may vary from state to state.