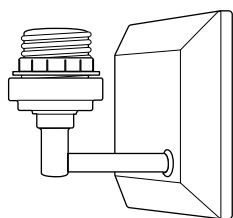


ITEM #0728841



WALL SCONCE FITTER

MODEL #WS342-1CH

MODEL #WS342-1CH

ITEM #0728840

#0728839

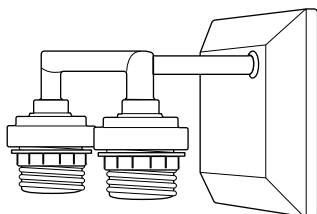
#0728838

VANITY BAR FITTER

MODEL #VB342-2CH

VB342-3CH

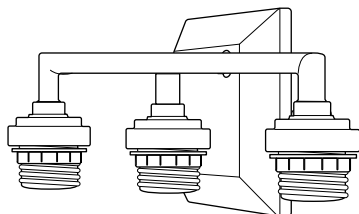
VB342-4CH



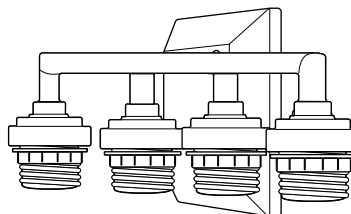
MODEL #VB342-2CH

Français p. 9

Español p. 17



MODEL #VB342-3CH



MODEL #VB342-4CH

ATTACH YOUR RECEIPT HERE

Purchase Date _____

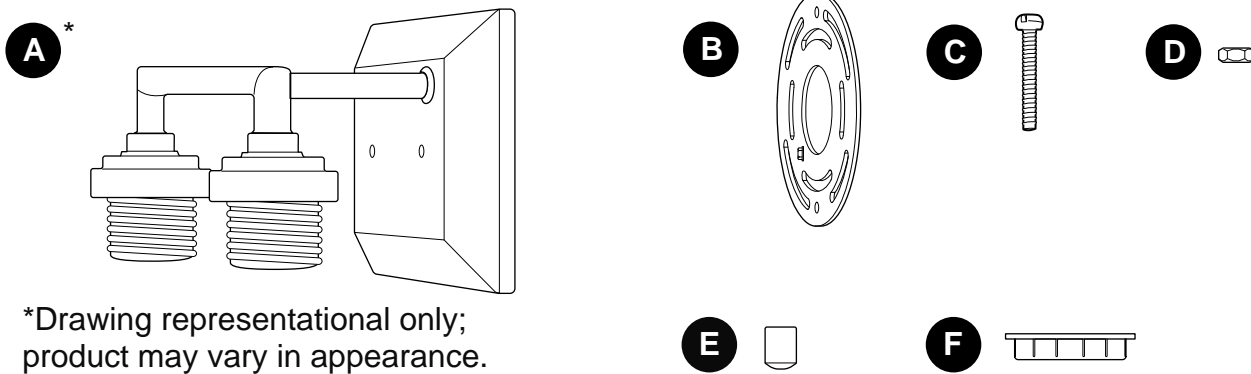
UL
c **US**
LISTED
For
Damp Location
E342246



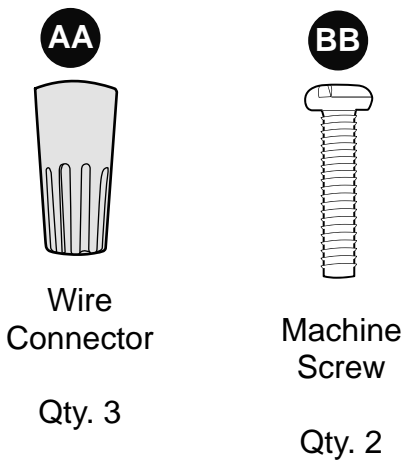
Questions, problems, missing parts? Before returning to your retailer, call our customer service department at **1-800-527-1292**, 8:30 a.m. - 5 p.m., CST, Monday - Friday.

PACKAGE CONTENTS

PART	DESCRIPTION	#0728841	#0728840	#0728839	#0728838
		QUANTITY	QUANTITY	QUANTITY	QUANTITY
A	Fixture	1	1	1	1
B	Mounting Plate (preassembled)	1	1	1	1
C	Screw (preassembled)	2	2	2	2
D	Hex Nut (preassembled)	2	2	2	2
E	Decorative Nut (preassembled)	2	2	2	2
F	Socket Ring (preassembled)	1	2	3	4



HARDWARE CONTENTS (shown actual size)



! SAFETY INFORMATION

READ AND SAVE THESE INSTRUCTIONS.

! DANGER

- For your protection and safety, carefully read and understand the information provided in this manual completely before attempting to assemble, install or operate this product. Failure to do so could lead to fire, electrical shock or other injuries that could be hazardous or even fatal.

SAFETY INFORMATION

DANGER

- DO NOT connect this fixture to an electrical system that does not provide a means for equipment grounding. Never use a fixture in a two-wire system that is not grounded. Installing a fixture into an electrical system not having a proper grounding means could cause metal parts of the fixture to carry electrical currents if any of the fixture wires, wire connections or splices were to become broken, cut or loose during the mounting or normal operation of the fixture. Under this condition, anyone coming in contact with the fixture would be subject to electrical shock, which could cause serious injury or death.
- DO NOT connect the bare or green insulation fixture ground wire to the black (HOT) current-carrying wire or the white neutral house wire. Connection of the bare or green fixture ground wire to the black or white house wires may cause metal parts of the fixture to carry electrical currents. Under this condition anyone coming in contact with the fixture will receive electrical shock, which could cause serious injury or death.
- DO NOT damage or cut the wire insulation (covering) during installation of fixture. DO NOT permit wires to contact any surface having a sharp edge. To do so may damage or cut the wire insulation, which could cause serious injury or death from electrical shock.

WARNING

- All electrical connections must be in agreement with local codes and ordinances, the National Electric Code (NEC) and ANSI/NFPA 70-1999. Contact your municipal building department to learn about your local codes, permits and/or inspections. Risk of fire - most dwellings built before 1985 have supply wire rated for 140°F. Consult a qualified electrician before installation.
- To avoid personal injury, the use of gloves may be necessary while handling fixture parts with sharp edges.
- DO NOT suspend any fixture by the house wires. A fixture must always be mounted directly to an outlet box or to a mounting plate which is first attached to the outlet box. Wire connectors will not support the weight of a fixture. Suspending a fixture by the house wires and wire connectors will result in the fixture falling, with the possibility of personal injury and the danger of electrical shock or fire.
- To reduce the risk of fire, electrical shock or personal injury, wire connectors provided with this light fixture are designed to accept only one 12-gauge house wire and two lead wires from the light fixture. If your house wire is larger than 12-gauge or there is more than one house wire to connect to the corresponding fixture lead wires, consult an electrician for the proper size wire connectors to use.

CAUTION

- TURN OFF ELECTRICITY at main fuse box (or circuit breaker box) before beginning installation by removing the fuse (or switching the circuit breaker off).
- If you are not sure the lighting system has a grounding means, DO NOT attempt to install this fixture. Contact a qualified, licensed electrician for information regarding the proper grounding methods as required by the local electrical code in your area.
- All fixtures must be mounted to an outlet box that is supported by the building structure.
- DO NOT use bulbs having a wattage greater than the maximum value stated on the fixture. The use of bulbs with higher wattage than specified will increase temperatures and risk of fire.
- If a dimmer control switch is used with this fixture, obtain professional advice to determine the correct type to use as well as the electrical rating required.

PREPARATION

Before beginning assembly of product, make sure all parts are present. Compare parts with package contents list and hardware contents list. If any part is missing or damaged, do not attempt to assemble the product.

Estimated Assembly Time: 45 minutes

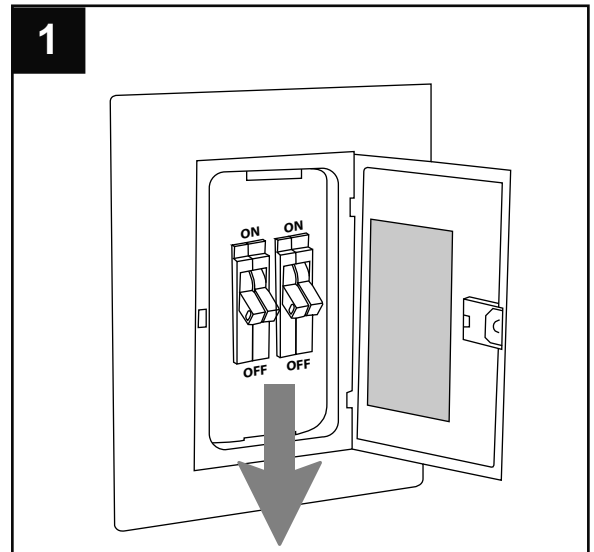
Tools Required for Assembly (not included): Flathead Screwdriver, Phillips Screwdriver, Wire Strippers, Pliers, Wire Cutters, Safety Glasses, Stepladder, Electrical Tape

Helpful Tools (not included): A/C Tester Light, Do-It-Yourself Guide, Soft Cloth, Level

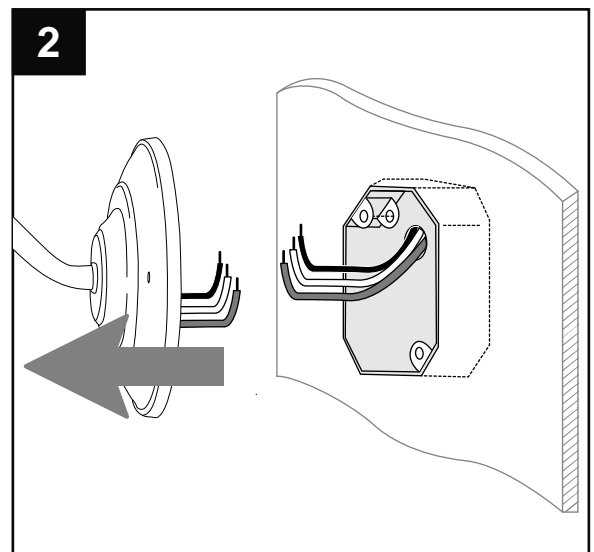
ASSEMBLY INSTRUCTIONS

1. Turn off circuit breakers and wall switch to the fixture supply line leads.

⚠ DANGER: Failure to disconnect power supply prior to installation may result in serious injury or death.



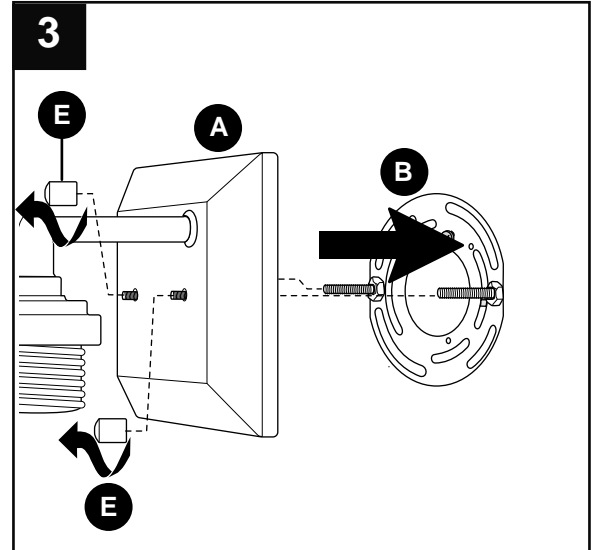
2. Remove existing fixture and disconnect all electrical wiring.



ASSEMBLY INSTRUCTIONS

3. Remove decorative nuts (E) from front of fixture (A) and remove mounting plate (B) from back of fixture (A).

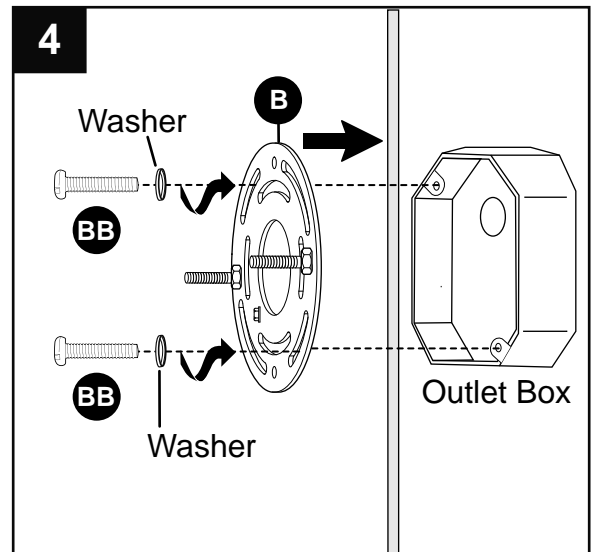
Save decorative nuts (E) for later use.



4. Attach mounting plate (B) to outlet box (not included) using existing washers and outlet box screws or the machine screws (BB). **NOTE:** If the outlet box screws required for your outlet box are of a different size than the machine screws (BB), consult a licensed electrician before proceeding.

Tighten machine screws (BB) to secure mounting plate (B).

⚠ CAUTION: Make sure the outlet box can support 35 lbs. hanging weight. Use *metal* outlet box; plastic outlet boxes are not recommended.



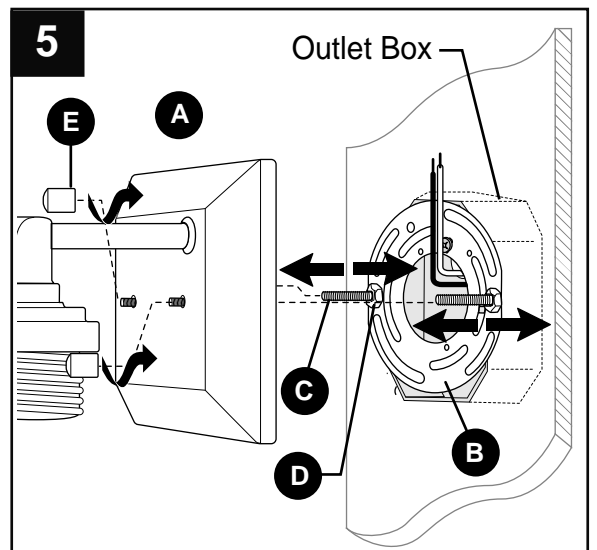
Hardware Used

BB Machine Screw  x 2

5. Adjust screws (C) to proper length by screwing them completely into mounting plate (B).

Temporarily place fixture (A) over mounting plate (B) to determine amount of adjustment necessary for screws (C). **NOTE:** Screws (C) should come through holes in fixture (A) just enough so decorative nuts (E) fit flush against fixture (A) when mounted.

Once screws (C) are adjusted, tighten nuts (D) securely against mounting plate (B).



ASSEMBLY INSTRUCTIONS

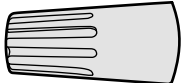
6. Unwrap BARE wire on fixture (A) from BLACK and WHITE wires. Prepare wires by stripping 3/4 in. of insulation from wire ends using wire strippers (not included). Connect BARE/GREEN ground wire from outlet box to BARE ground wire from fixture (A) with wire connector (AA). Connect WHITE wire from fixture (A) to WHITE wire from outlet box using existing wire connector or wire connector (AA). Connect BLACK wire from fixture (A) to BLACK wire from outlet box using existing wire connector or wire connector (AA).

NOTE: Screw wire connectors (AA) on in a clockwise direction.

⚠ WARNING: Never connect ground wire to WHITE or BLACK power supply wires.

⚠ WARNING: To reduce the risk of fire, electrical shock or personal injury, wire connectors (AA) are designed to accept only one 12-gauge house wire and two lead wires from the light fixture. If your house wire is larger than 12-gauge or there is more than one house wire to connect to the corresponding fixture lead wires, consult an electrician for the proper size wire connectors to use.

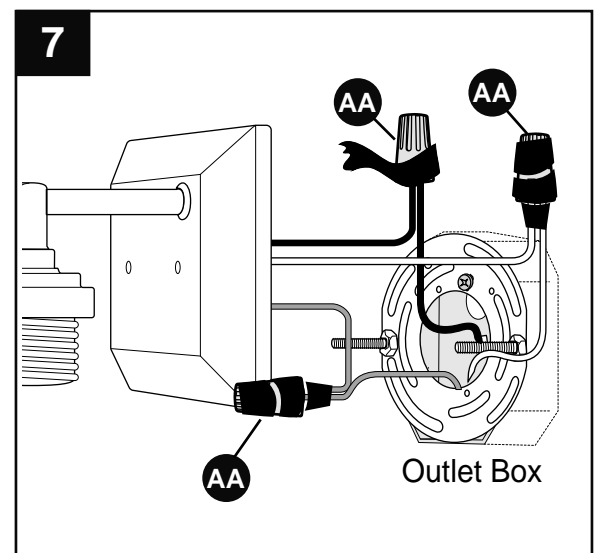
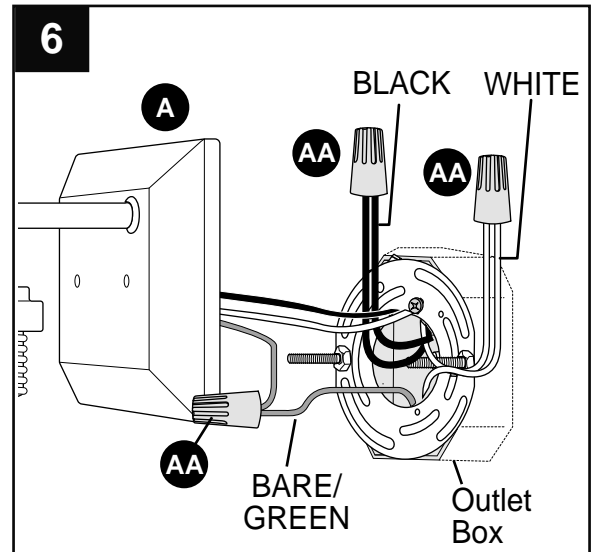
Hardware Used

AA Wire Connector  x 3

7. Wrap electrical tape (not included) around each individual wire connector (AA) down to the wire.

⚠ WARNING: Make sure no bare wire or wire strands are visible after making connections.

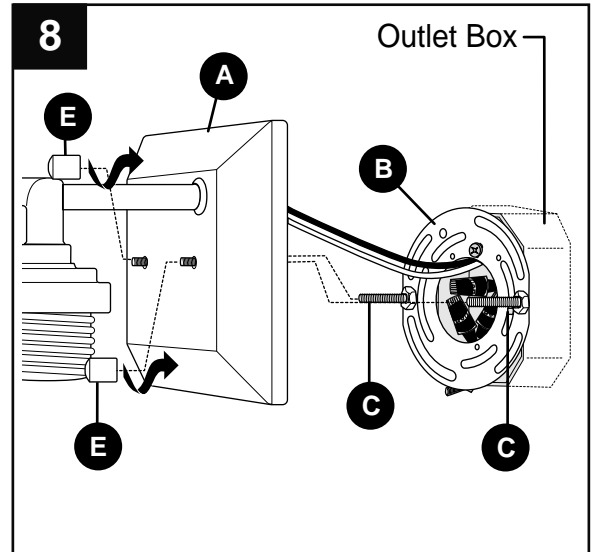
Push wire connectors (AA) gently back into outlet box. Carefully push excess wiring into outlet box.



ASSEMBLY INSTRUCTIONS

8. Align holes in fixture (A) with screws (C) in mounting plate (B) and push fixture (A) toward wall. Attach fixture (A) to mounting plate (B) using the decorative nuts (E) previously removed (Step 3, page 5).

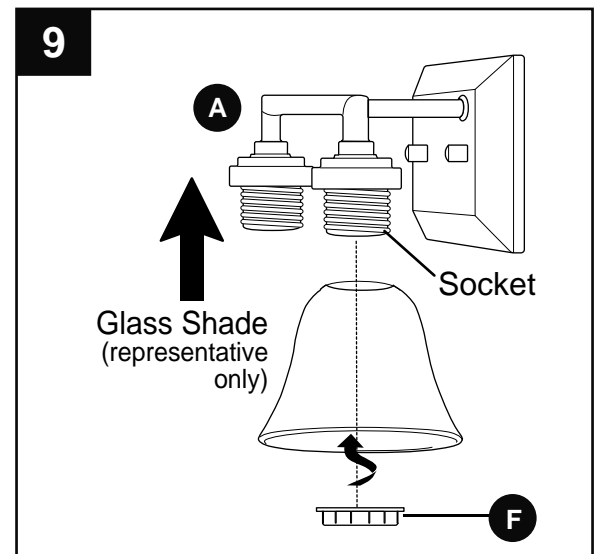
Note: Fixture (A) can be installed with the socket(s) facing either up or down.



9. Remove socket ring (F) from socket of fixture (A). Attach glass shade (sold separately) to socket, securing with socket ring (F).

If fixture (A) has additional sockets, repeat Step 9.

⚠ CAUTION: Do not overtighten socket ring(s) (F) as glass may crack or break.

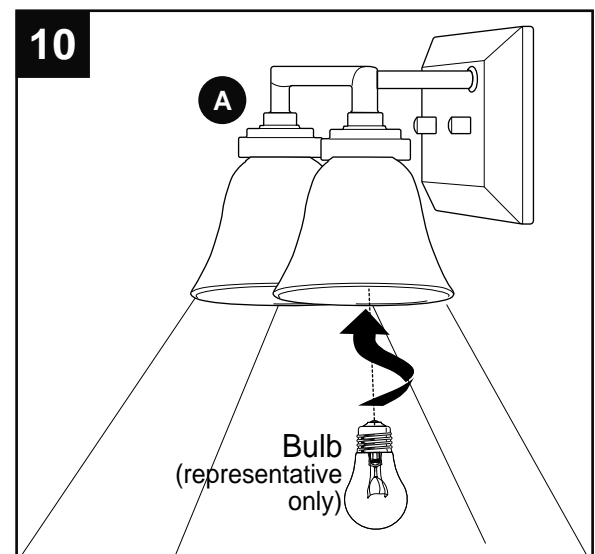


10. Install standard-base bulb(s) (not included). Use 60-watt max. incandescent bulb(s) or CFL/LED equivalent.

⚠ WARNING: When replacing bulb(s), please allow bulb(s) and fixture to cool down before touching.

Restore power and test fixture (A).

If light(s) do/does not function, please refer to TROUBLESHOOTING on the following page.



CARE AND MAINTENANCE

- Shut off main power supply. Wipe fixture with soft, damp cloth. Use window cleaner to clean glass. Do not use an abrasive cleaner on glass or fixture.

TROUBLESHOOTING

⚠ WARNING: Before beginning work, shut off the power supply to avoid electrical shock.

PROBLEM	POSSIBLE CAUSE	CORRECTIVE ACTION
Bulb(s) will not light.	<ol style="list-style-type: none">1. Bulb(s) is/are burned out.2. Power is OFF.3. Faulty connection.	<ol style="list-style-type: none">1. Replace light bulb(s).2. Make sure power supply is ON.3. Check wiring and all connections.
Fuse blows out or circuit breaker trips.	<ol style="list-style-type: none">1. Crossed wires.2. Power wire is grounding out.	<ol style="list-style-type: none">1. Check wiring.2. Check all connections.

WARRANTY

The distributor warrants all of its lighting fixtures against defects in materials and workmanship for one (1) year from the date of purchase. If within this period the product is found to be defective, take a copy of the bill of sale as a proof of purchase and the product in its original carton to the place of purchase. The distributor will, at its option, repair, replace or refund the purchase price to the consumer. All costs of installation and removal of the fixture is the responsibility of the consumer. This warranty does not cover fixtures becoming defective due to misuse, accidental damage or improper handling and/or installation and specifically excludes liability for direct, incidental or consequential damages. As some states do not allow exclusions of limitations on an implied warranty, the above exclusion and limitation may not apply. This warranty gives you specific rights and you may also have other rights which may vary from state to state.