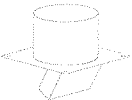



Direct-Vent Conversion Kit: 100112184 (TK-TV10)

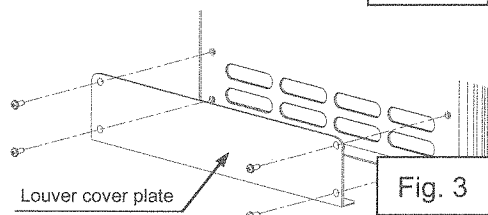
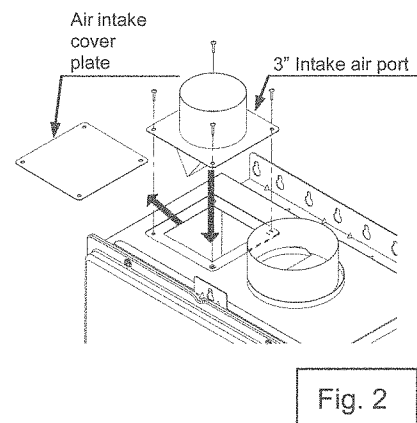
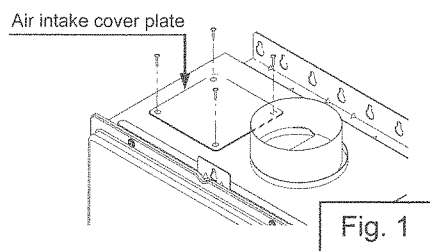
INSTALLATION INSTRUCTIONS

Water heaters available for this kit	
110 Indoor (T-KJr2-IN)	110U Indoor (T-KJr2U-IN)
310 Indoor (T-K4-IN)	310U Indoor (T-K4U-IN)
510 Indoor (T-D2-IN)	510U Indoor (T-D2U-IN)

Items Included:	
3" Intake air port  Qty: 1	Louver cover plate  Qty: 1
Please be careful of the sharp edges of the Intake air port when installing it.	

Installation:

1. Turn off the 120 VAC power supply to the water heater. Shut off the manual gas and the manual water valves.
2. Remove the 4 screws on top of the water heater to take off the "air intake cover plate". (Fig.1)
3. In place of the "air intake cover plate", attach the "3 inch intake port" on top of the heater with the 4 screws. Being careful to orientate it as shown in Fig.2.
4. Remove the 4 screws on the front cover of the water heater. Attach the "louver cover plate" on the front cover with the 4 screws. (Fig.3)
5. Open the manual gas and the manual water valves. Turn on the 120 VAC power supply.



NOTE: No need to change the DIP switch settings on the computer board in the water heater to install the kit.



When installing the vent system, all applicable national and local codes must be followed.

The total vent length must not exceed the length specified in table below.

Vent type	Diameter	Max. No. of Elbows	Max. Vertical or Horizontal Length
Exhaust vent	4"	5	50 ft (15.2 m)
Intake vent	3"	5	50 ft (15.2 m)

NOTE: Each elbow counts as 5 ft

If you have any questions, please call or write to the manufacturer listed on the rating plate of your water heater.