

RAFTER TAIL TO TOP PLATE

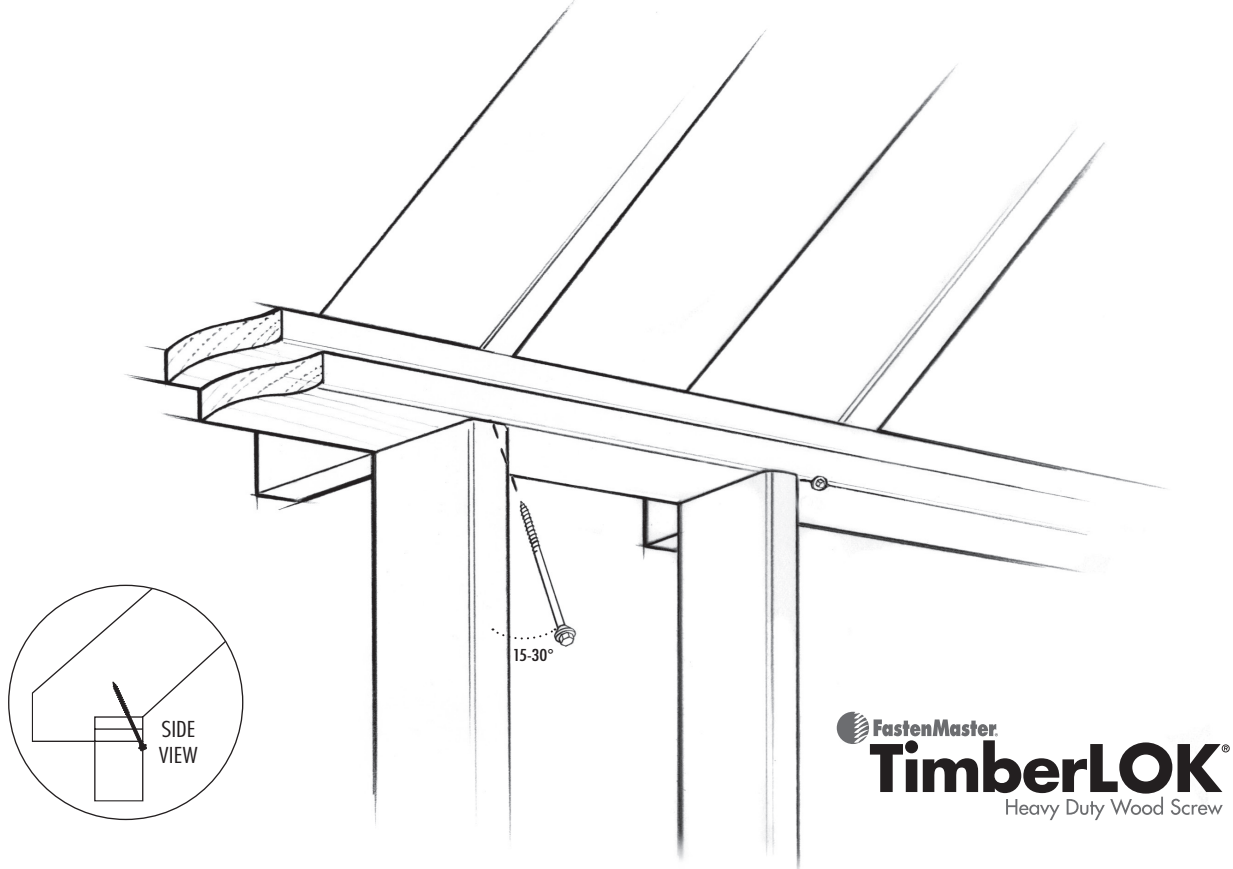
CONNECTION DETAILS

The minimum fastening requirements for the rafter to top plate connection in the 2006–2012 International Residential Code (IRC) and International Building Code (IBC) include a wide range of nailing options. In all cases, these codes can be met by installing the FastenMaster TimberLOK when the guidelines on this technical bulletin are followed.

In many cases where increased wind or seismic conditions require a stronger rafter to top plate connection, this fastening method may also be used to replace the use of metal ties or straps.

FASTENING METHOD

CAN BE USED WHEN RAFTER IS ALIGNED OVER OR BETWEEN WALL STUDS



- Use a 6" FastenMaster TimberLOK.
- Where the rafter is directly over the wall stud, insert fastener point between the bottom of the top plate and the top of the stud.
- Where the rafter is located between two studs, insert fastener point on bottom surface of the top plate no greater than 1/2" from the inside edge of the plate.
- Drive fastener through double top plate at an angle between 15° and 30° and into the center of the rafter.
- Fastener must be driven into the center of the 1-1/2" rafter edge (+/- 1/4") with the threads fully embedded into the rafter.
- Bring the fastener head flush with the wood surface.



Effective August 1, 2014. Please reference our website to ensure that you are using the most up to date version.

153 BOWLES ROAD, AGAWAM, MA 01001

413-789-0252

800-518-3569

WWW.FASTENMASTER.COM

FASTENER DESIGN LOADS

The FastenMaster TimberLOK load values in Table 1 can be used by a design professional to determine suitability of these fasteners in a rafter to top plate connection.

- Where the uplift and/or lateral design loads have been provided on the building plans, the allowable loads in Table 1 can be compared to the plan values to make sure they are met or exceeded by use of this fastening method.
- If ties or straps have been called for to resist uplift and lateral forces, the allowable loads in Table 1 should be compared to the manufacturer's published values for the specified connector to ensure that this fastening method meets or exceeds these loads.
- In cases where the above two methods are not available and the wind speed from IRC Figure 301.2(4) equals or exceeds 100 mph in hurricane-prone regions, or 110 mph elsewhere, the design loads of this connection can be determined by a design professional from one of the following three sources and compared to Table 1:

1. American Forest and Paper Association (AF&PA) Wood Frame Construction Manual for One- and Two-Family Dwellings (WFCM). A sample of this chart is shown below.
2. International Code Council (ICC) Standard for the Residential Construction in High Wind Regions (ICC-600).
3. Minimum Design Loads for Buildings and Other Structures (ASCE-7).

TABLE 1

TimberLOK Design Loads for Rafter to Top Plate Connections						
Wood Species	SPF/HF		Douglas Fir		Southern Pine	
Load Type	Uplift	Lateral/Shear	Uplift	Lateral/Shear	Uplift	Lateral/Shear
Allowable Load	420	320	540	380	620	410

• TimberLOK values above are based on ICC-ES Report #1078 and independently verified through testing to ASTM D-1761.
 • A standard wind load duration factor has been applied to these values per NDS Table 2.3.2. Other applicable NDS adjustment factors are at the discretion of a design professional.
 • These values apply only to the top plate to rafter connection and assume that the fastener is properly installed per the instructions on this bulletin.

Sample Wind Loads

Table 2 below represents common design wind loads on rafter to top plate connections taken from the AF&PA Wood Frame Construction Manual, High Wind Zone Exposure B, Wall Connections at Load Bearing Walls.

TABLE 2

WIND ZONE (MPH)	RAFTER SPACING	Roof Framing Span (ft.)							LATERAL (LB.)	SHEAR (LB.)
		12	16	20	24	28	32	36		
		UPLIFT (lb.)								
90	16" o.c.	82	96	110	125	139	154	168	119	52
90	24" o.c.	123	144	165	187	209	230	252	178	78
100	16" o.c.	124	147	170	193	217	240	264	145	64
100	24" o.c.	186	220	255	290	325	360	396	218	96
110	16" o.c.	170	203	236	269	303	336	370	176	77
110	24" o.c.	255	304	354	404	454	504	554	264	116
120	16" o.c.	220	264	308	352	397	441	486	209	93
120	24" o.c.	331	396	462	528	595	661	728	314	140
130	16" o.c.	275	331	386	442	499	555	611	247	109
130	24" o.c.	413	496	580	664	748	833	917	370	164

This chart is used as an example only and should not be the sole source to design the connection.