

# Fairfield Patio Planter Instructions

(Model #'s 5825 & 5826)

# MIS008-5

## General Information:

- Read instructions carefully before beginning assembly.
- Clean product with a soap solution and high-pressure water.
- See the reverse side of this instruction sheet for potting recommendations.
- Suitable for flowers, herbs, vegetables, and small plants.
- The molded polyethylene construction is designed to withstand cold temperatures but you may wish to winter store the planter in a shed or garage to offer the best protection from extreme cold.

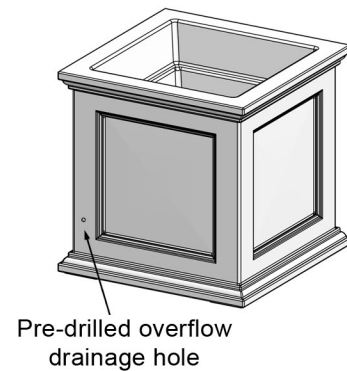
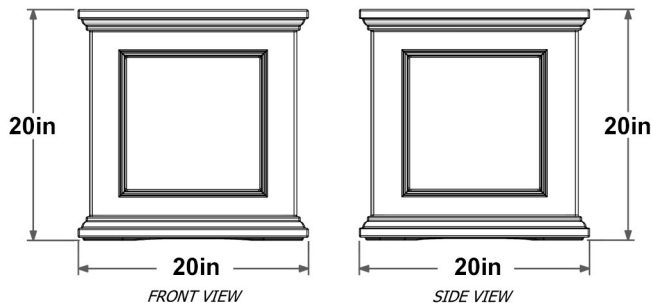
Made in the USA  
15-year residential warranty

In the event of missing or defective parts, please call our customer service department toll free at 866-363-8834 (Monday through Friday, 8am-5pm EST).

## Fairfield 20in Square

Dimensions: 20in x 20in x 20in

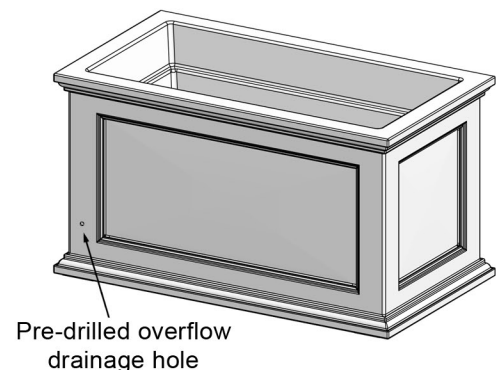
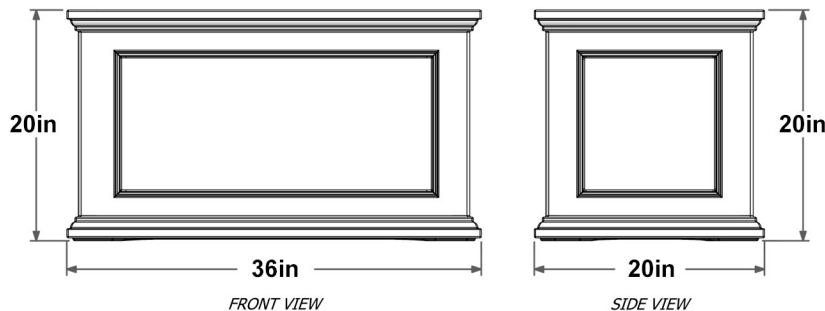
Material: Polyethylene



## Fairfield 20x36

Dimensions: 20in x 20in x 36in

Material: Polyethylene



### IMPORTANT NOTE:

Do not overload the patio planters. Lightweight fillers and potting mixes are recommended. Results may vary depending on the type of plant and depth of the root system. The enclosed information is only suggested and Mayne holds no liability for the condition or growth of your plants.

**MAYNE**<sup>®</sup>

Outdoor Products of Distinction

105 Midpark Rd. Unit 1  
London, ON N6N 1B2

US Warehouse: Alliance, OH 44601

[www.gomayne.com](http://www.gomayne.com)

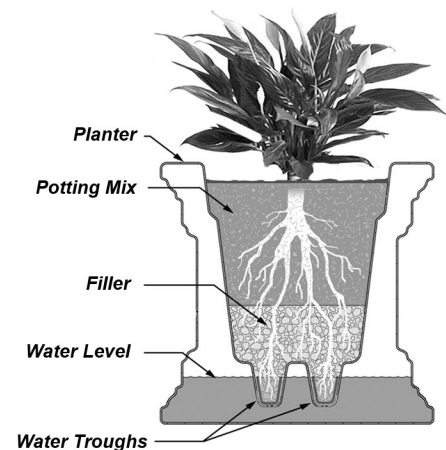
## General Planting Recommendations:

To maximize the efficiency of the sub-irrigation system we recommend the following steps:

- 1) Start by adding a few inches of lightweight filler to the bottom of the planter. This is optional but offers 3 benefits: it reduces the amount of potting mix required, it encourages faster root growth down into the troughs, and it will help decrease the overall weight of the planter making it easier to move around. Some suggestions for lightweight fillers include lava rock, mulch, wood chips, crushed water bottles, or foam packing peanuts (don't use foam packing peanuts if you are growing edible plants).
- 2) Fill the planter with a potting mix to within a few inches of the top. Regular garden soil is not recommended since it compacts too easy and doesn't allow for proper aeration or drainage.
- 3) Start planting and enjoy!

## Sub-Irrigation System

The Fairfield planter collection features a double wall design that creates a trough system and sub-irrigation water reservoir at the bottom of the planter. Capillary action allows water in the reservoir to soak upward keeping the soil and plant roots moist creating a self-watering effect. Regular watering is required for the first few weeks giving the root system time to develop. Once the roots have grown down into the troughs the plants will be able to pull moisture from the reservoir creating a self watering effect. With this system you will find the potting mix stays moist longer than traditional container planters. Please note that even with the reservoir and self watering effect, occasional watering is still needed. To avoid oversaturation an overflow hole is drilled in the side of the planter allowing excess water to drain out.

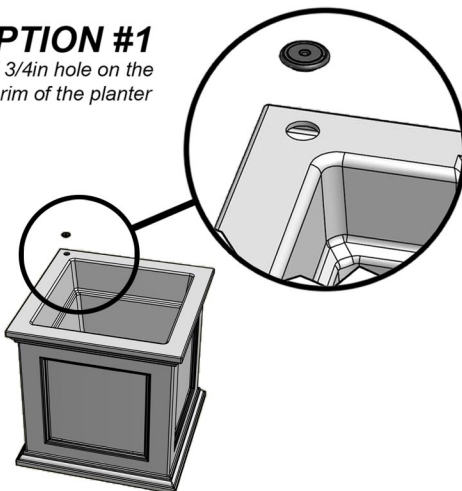


## Fill Port/Drainage Plug Installation:

Mayne planters are molded with a double wall design that creates an internal water reservoir. To provide direct access to the reservoir we recommend drilling a 3/4 inch hole on the top or back side of the planter. To cover the hole we have included a rubber plug that can be easily removed to fill or drain the planter as needed.

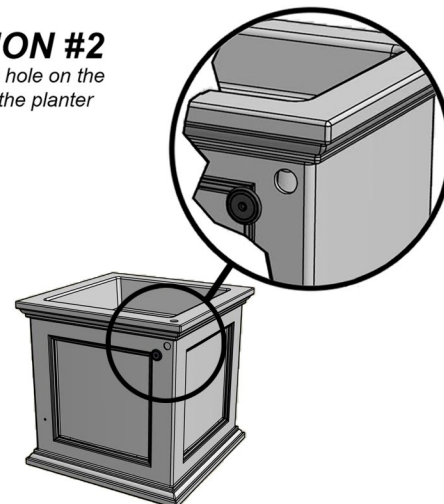
### OPTION #1

Drill 3/4in hole on the top rim of the planter



### OPTION #2

Drill 3/4in hole on the back of the planter



**Note:** The rubber plug is provided as an added feature so drilling the drainage hole is completely optional. Not intended for use on the bottom of the planter as the plug may not create a water tight seal.