

Fairfield

Model # 5825

Fairfield 20in Patio Planter



DESCRIPTION

Have the look of wood without the upkeep with our high-grade polyethylene planters. Long-lasting beauty, durability and quality. Built-in water reservoir encourages healthy plant growth by allowing plants to practically water themselves.

- Adds a charming touch to any patio or deck
- Molded polyethylene planter with UV inhibitors
- Weather resistant, low maintenance material
- Features a double wall design creating a water reservoir
- Warranty: 15-Yr Residential Use / 5-Yr Commercial Use

PRODUCT DIMENSIONS

Outside Dimensions: 20in L x 20in W x 20in H (50.8cm x 50.8cm x 50.8cm)

Inside Dimensions: 15.4in L x 15.4in W x 13in D (39.2cm x 39.2cm x 33cm)

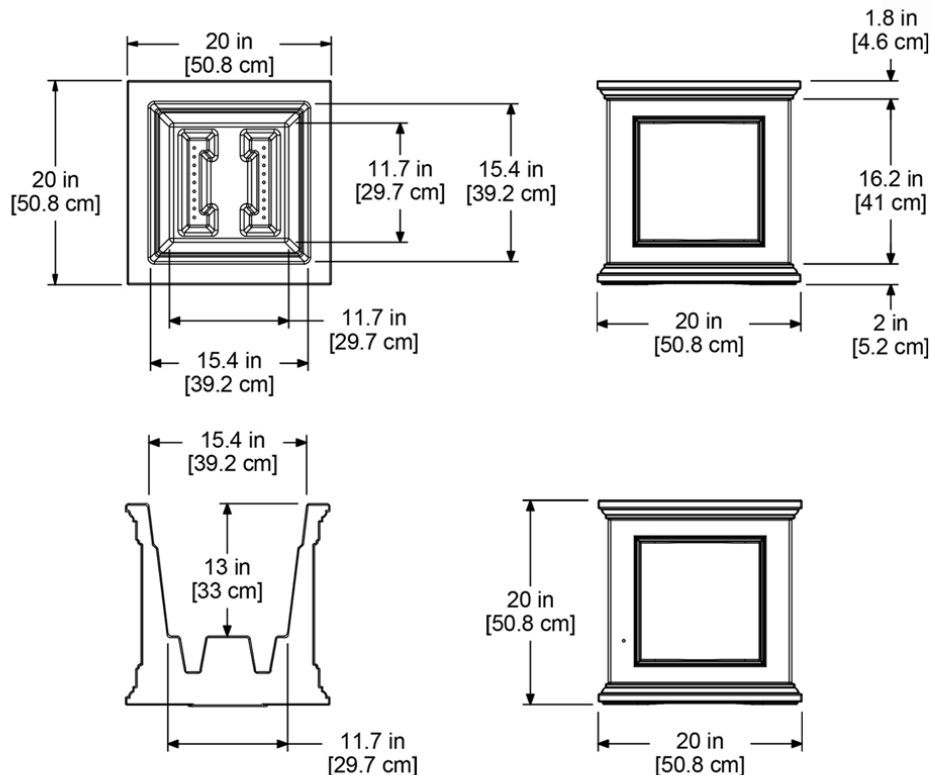
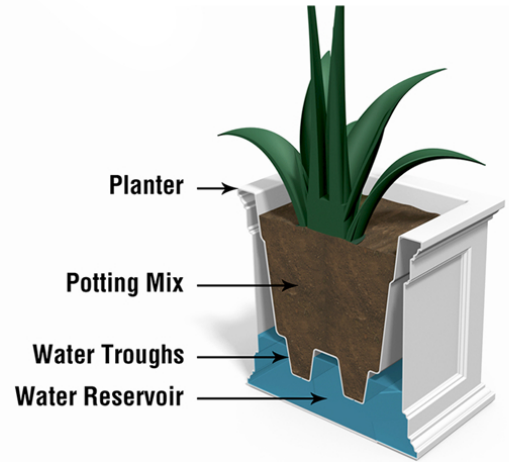
Soil Capacity: 9.5 Gallons (36 Liters)

Water Reservoir Capacity: 8.75 Gallons (33.12 Liters)

Wall Thickness: 0.125in (3.18mm)

Part Weight: 13lbs (5.9kg)

Material: Polyethylene



MAYNE[®]
Outdoor Products of Distinction

7024 Kilbourne Rd - Unit A London, ON N6P 1K6

Tel: 866-363-8834 | www.gomayne.com

customerservice@gomayne.com